

US00D925656S

(12) **United States Design Patent**
Epstein

(10) **Patent No.:** **US D925,656 S**

(45) **Date of Patent:** **** Jul. 20, 2021**

- (54) **PEN**
- (71) Applicant: **GMG Pen LLC**, Lakewood, NJ (US)
- (72) Inventor: **David A. Epstein**, Lakewood, NJ (US)
- (73) Assignee: **GMG Pen LLC**, Lakewood, NJ (US)
- (**) Term: **15 Years**
- (21) Appl. No.: **29/719,634**
- (22) Filed: **Jan. 6, 2020**
- (51) **LOC (13) Cl.** **19-06**
- (52) **U.S. Cl.**
USPC **D19/201**; D19/926
- (58) **Field of Classification Search**
USPC D19/115–204; D14/411
CPC . B43K 5/005; B43K 7/12; B43K 8/04; B43K
8/06; B43K 21/006; B43K 21/06
See application file for complete search history.

D548,281 S *	8/2007	Tien	D19/172
D557,744 S *	12/2007	Lecce	D19/173
D558,268 S *	12/2007	Siegel	D19/174
D565,654 S *	4/2008	Siegel	D19/171
D573,640 S *	7/2008	Qiu	D19/174
D580,978 S *	11/2008	Miller	D19/173
D595,353 S *	6/2009	Li	D19/174
D628,640 S *	12/2010	Wang	D19/173
D708,261 S *	7/2014	Laemle	D19/172
D708,263 S *	7/2014	Laemle	D19/179
D713,882 S *	9/2014	Fleming	D19/179
D797,853 S *	9/2017	Kim	D19/174
D844,053 S *	3/2019	Bindra	D19/166
D844,056 S *	3/2019	Bindra	D19/173
D849,838 S *	5/2019	Bindra	D19/173

* cited by examiner

Primary Examiner — Elizabeth A. Albert
(74) *Attorney, Agent, or Firm* — Bochner IP, PLLC;
Andrew D. Bochner

(57) **CLAIM**

The ornamental design for a pen, as shown and described.

DESCRIPTION

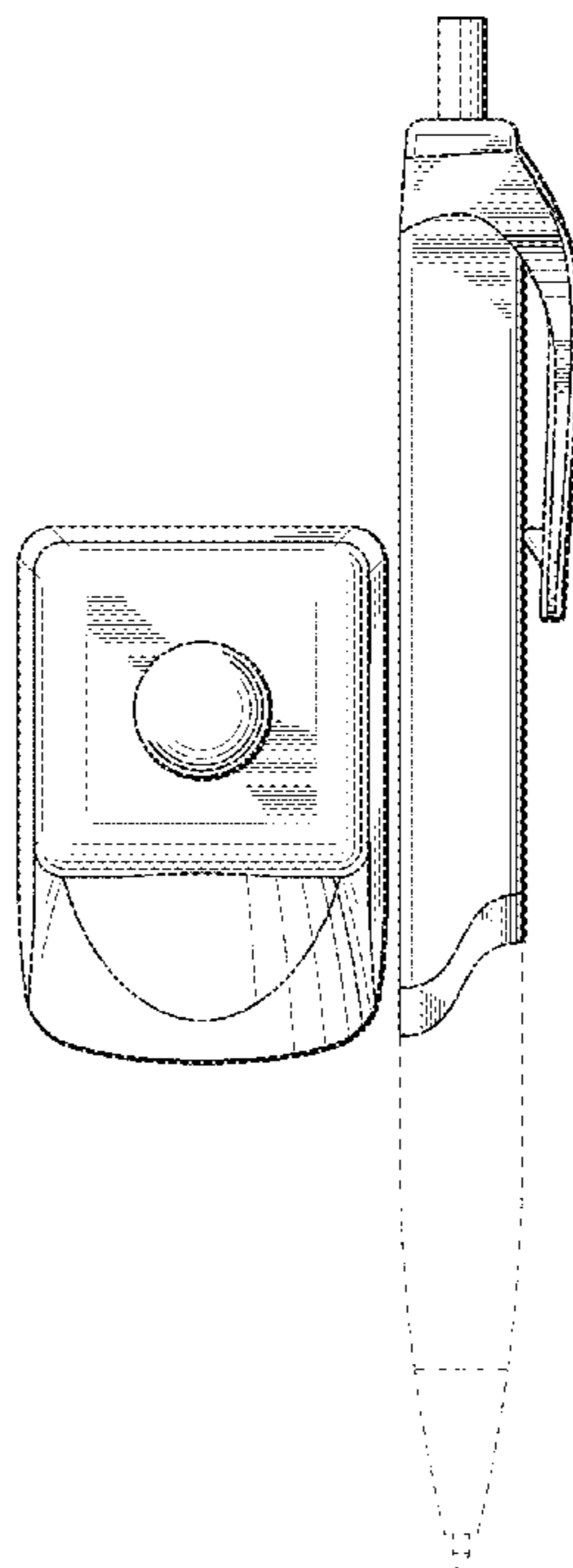
FIG. 1 is a top, front, right side perspective view of the pen; FIG. 2 is a top plan view thereof, shown at an enlarged scale; FIG. 3 is a bottom plan view thereof, shown at an enlarged scale; FIG. 4 is a front elevation view thereof; FIG. 5 is a rear elevation view thereof; and, FIG. 6 is a left side elevation view thereof, the right side elevation view being a mirror image. In the drawings, the broken lines are for the purpose of illustrating environment only, and form no part of the claimed design.

1 Claim, 2 Drawing Sheets

(56) **References Cited**

U.S. PATENT DOCUMENTS

4,983,062 A *	1/1991	Hour	A63F 9/001 273/153 S
D421,771 S *	3/2000	Avenatti	D19/174
D425,559 S *	5/2000	Beneyto	D19/173
D463,821 S *	10/2002	Nishida	D19/174
D472,928 S *	4/2003	Ikeda	D19/174
D480,423 S *	10/2003	Kung	D19/172
D489,406 S *	5/2004	Sakuno	D19/201
D495,002 S *	8/2004	Sung	D19/174
D500,521 S *	1/2005	Hautzinger	D19/174
D510,104 S *	9/2005	Qiu	D19/174
D512,741 S *	12/2005	Cetera	D19/174
D541,860 S *	5/2007	Kung	D19/172



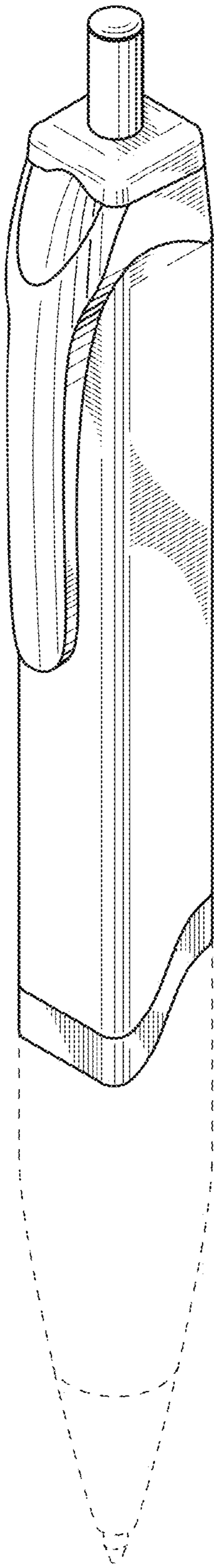


FIG. 1

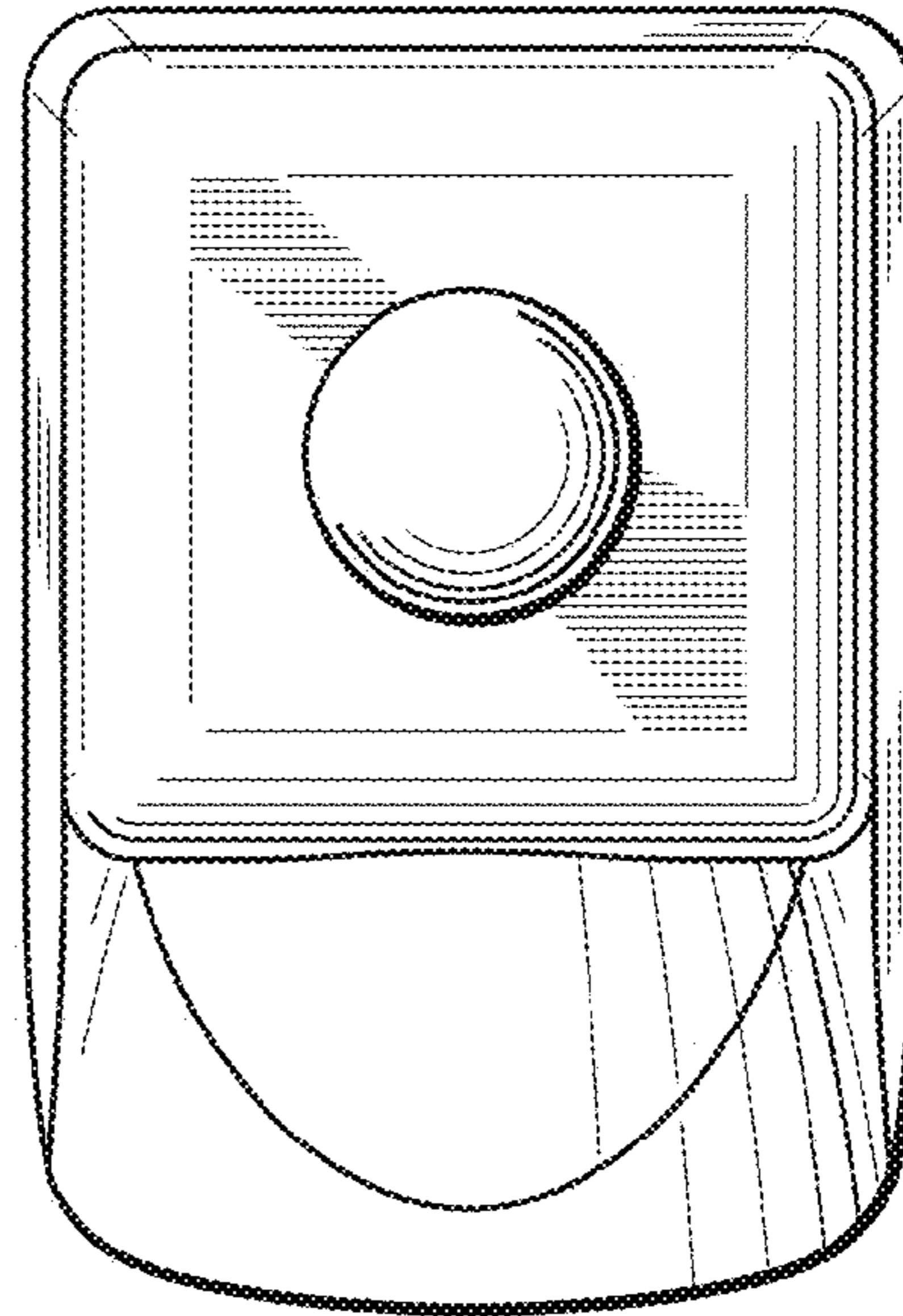


FIG. 2

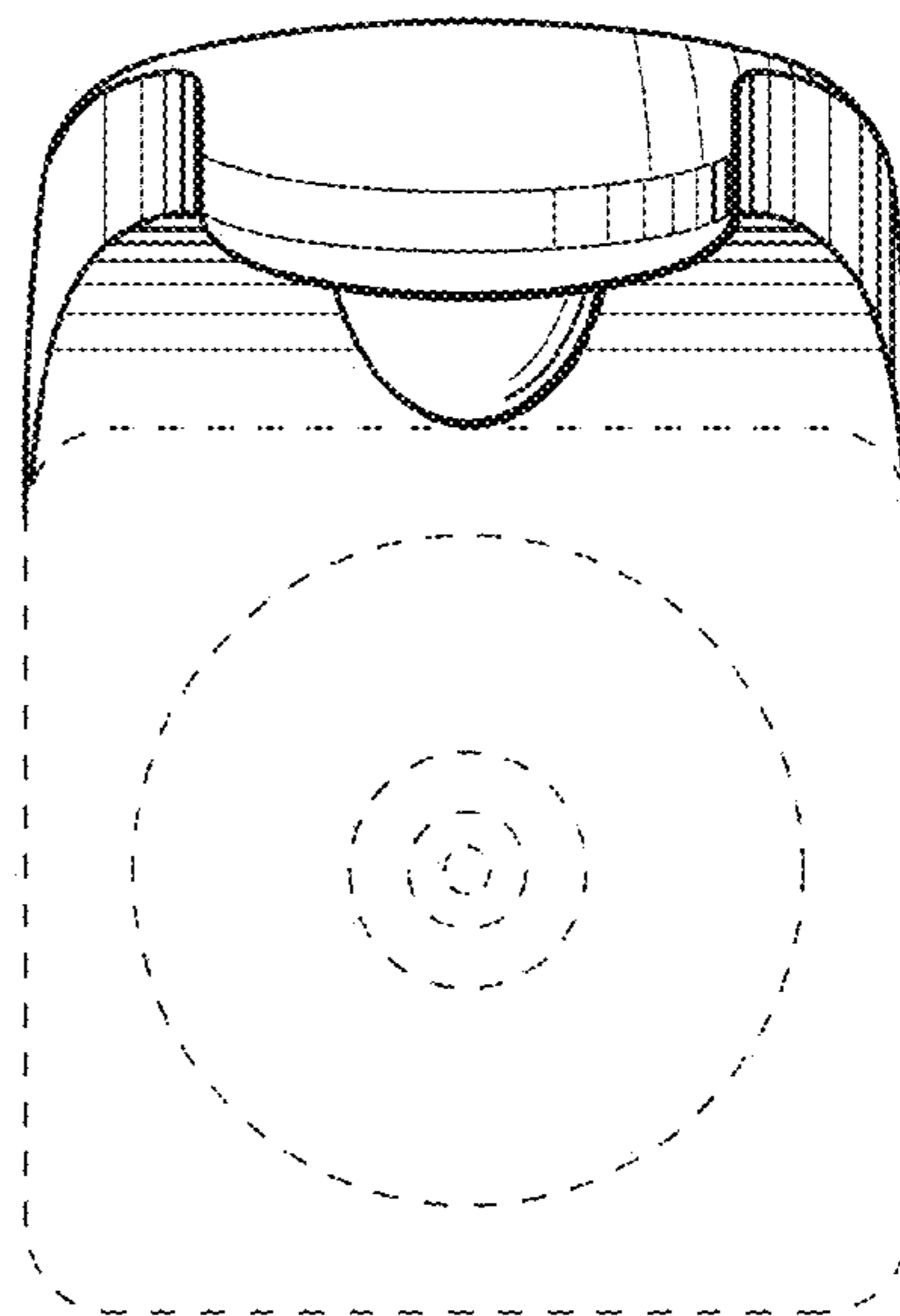


FIG. 3

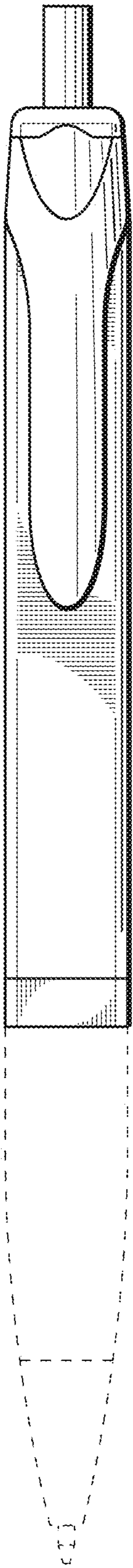


FIG. 4

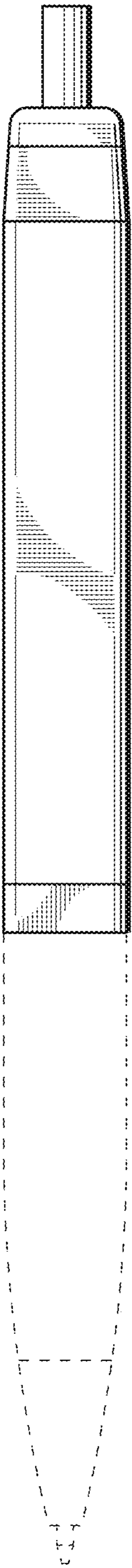


FIG. 5

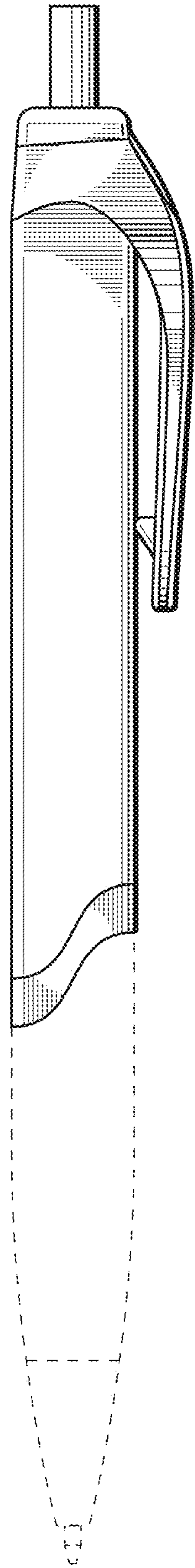


FIG. 6