



US00D925655S

(12) **United States Design Patent** (10) **Patent No.:** **US D925,655 S**  
**Epstein** (45) **Date of Patent:** **\*\* Jul. 20, 2021**

(54) **PEN**

(71) Applicant: **GMG Pen LLC**, Lakewood, NJ (US)

(72) Inventor: **David A. Epstein**, Lakewood, NJ (US)

(73) Assignee: **GMG Pen LLC**, Lakewood, NJ (US)

(\*\*) Term: **15 Years**

(21) Appl. No.: **29/719,628**

(22) Filed: **Jan. 6, 2020**

(51) **LOC (13) Cl.** ..... **19-06**

(52) **U.S. Cl.**  
 USPC ..... **D19/201**; D19/926

(58) **Field of Classification Search**  
 USPC ..... D19/115–204; D14/411  
 CPC . B43K 5/005; B43K 7/12; B43K 8/04; B43K  
 8/06; B43K 21/006; B43K 21/06  
 See application file for complete search history.

D577,073 S \* 9/2008 Fox ..... D19/201  
 D593,604 S \* 6/2009 Yu ..... D19/173  
 D611,538 S \* 3/2010 Zhou ..... D19/173  
 D628,640 S \* 12/2010 Wang ..... D19/173  
 D631,914 S \* 2/2011 Li ..... D19/171  
 D642,619 S \* 8/2011 Kermoal ..... D19/174  
 D664,196 S \* 7/2012 Buehler ..... D19/173  
 D690,360 S \* 9/2013 Jin ..... D19/173  
 D712,479 S \* 9/2014 Fleming ..... D19/171  
 D712,480 S \* 9/2014 Fleming ..... D19/173  
 D724,148 S \* 3/2015 Bo ..... D19/173  
 D736,855 S \* 8/2015 Fan ..... D19/173  
 D797,853 S \* 9/2017 Kim ..... D19/174  
 D817,399 S \* 5/2018 Kim ..... D19/174  
 D817,400 S \* 5/2018 Kim ..... D19/174  
 D873,916 S \* 1/2020 King ..... D19/171

\* cited by examiner

*Primary Examiner* — Elizabeth A. Albert  
 (74) *Attorney, Agent, or Firm* — Bochner IP, PLLC;  
 Andrew D. Bochner

(57) **CLAIM**

The ornamental design for a pen, as shown and described.

**DESCRIPTION**

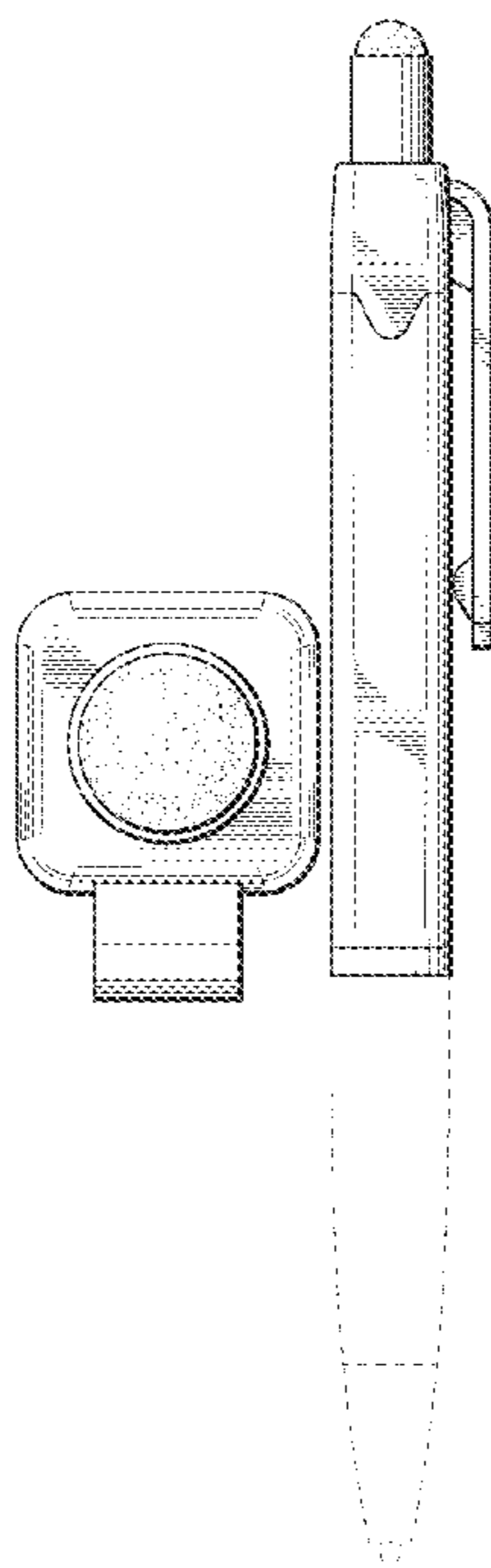
FIG. 1 is a top, front, right side perspective view of the pen; FIG. 2 is a top plan view thereof, shown at an enlarged scale; FIG. 3 is a bottom plan view thereof, shown at an enlarged scale; FIG. 4 is a front elevation view thereof; FIG. 5 is a rear elevation view thereof; and, FIG. 6 is a left side elevation view thereof, the right side elevation view being a mirror image. In the drawings, the broken lines are for the purpose of illustrating environment only, and form no part of the claimed design.

**1 Claim, 2 Drawing Sheets**

(56) **References Cited**

**U.S. PATENT DOCUMENTS**

D124,230 S \* 12/1940 Dreyfuss ..... D19/174  
 4,983,062 A \* 1/1991 Hour ..... A63F 9/001  
 273/153 S  
 D355,673 S \* 2/1995 Takahashi ..... D19/174  
 D364,424 S \* 11/1995 Shimizu ..... D19/174  
 D366,901 S \* 2/1996 Takahashi ..... D19/167  
 D402,693 S \* 12/1998 Sunaga ..... D19/174  
 D407,114 S \* 3/1999 Sakuno ..... D19/174  
 D421,771 S \* 3/2000 Avenatti ..... D19/174  
 D425,559 S \* 5/2000 Beneyto ..... D19/173  
 D458,964 S \* 6/2002 Nakazawa ..... D19/173  
 D490,108 S \* 5/2004 Moon ..... D19/174  
 D558,268 S \* 12/2007 Siegel ..... D19/174  
 D565,654 S \* 4/2008 Siegel ..... D19/171



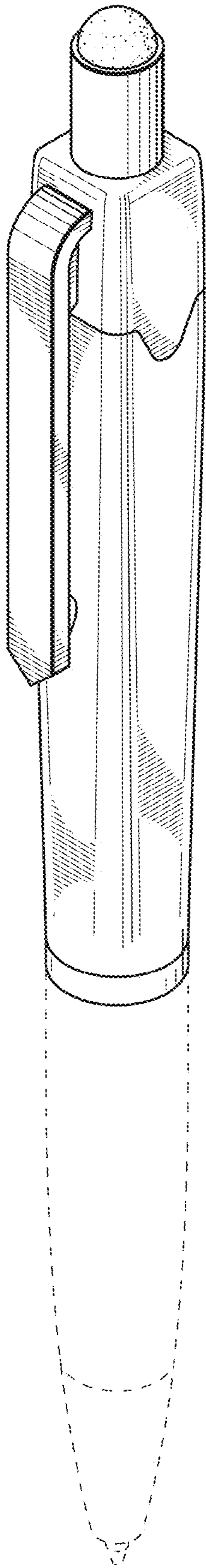


FIG. 1

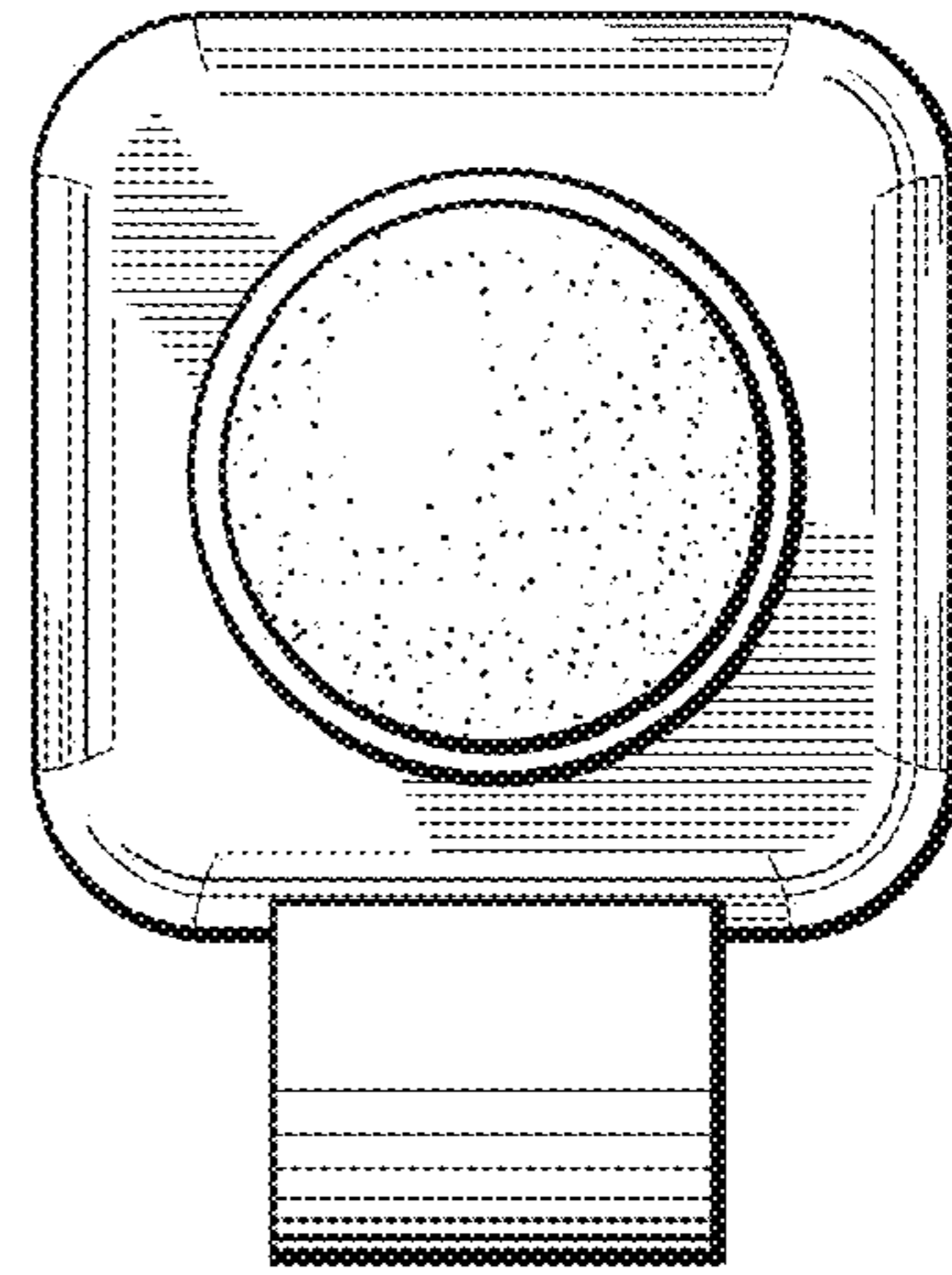


FIG. 2

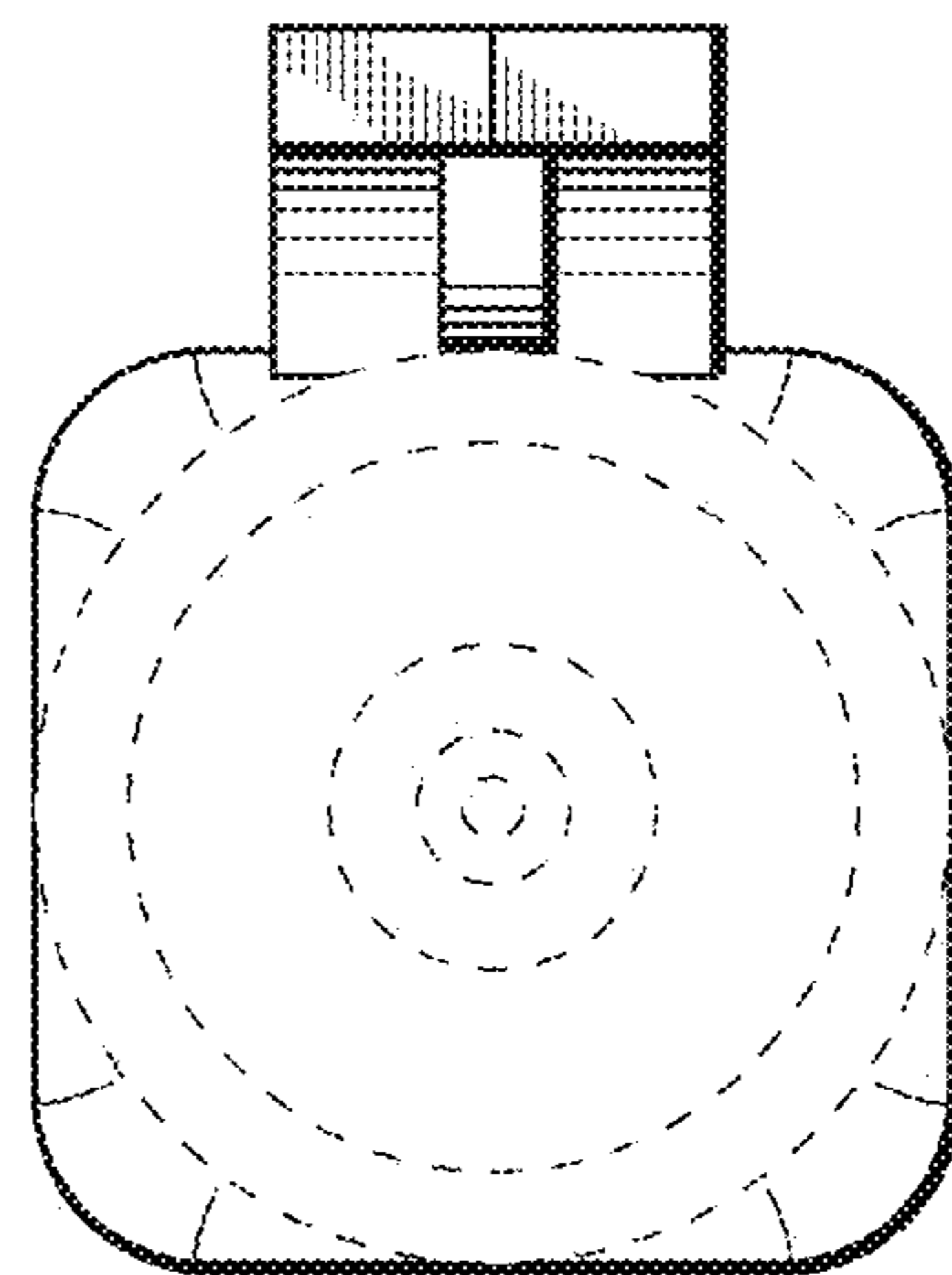
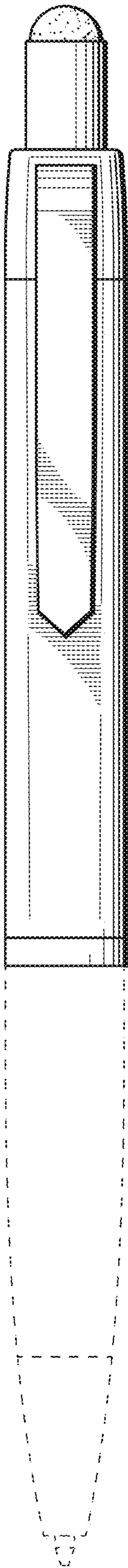
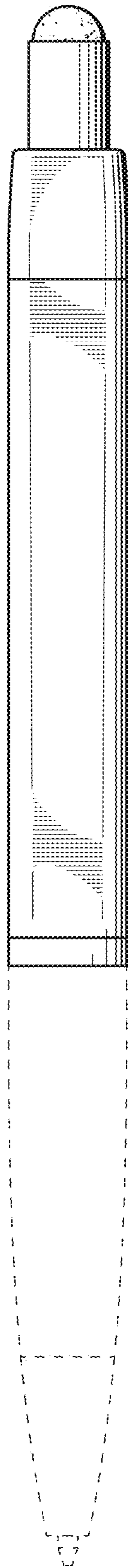


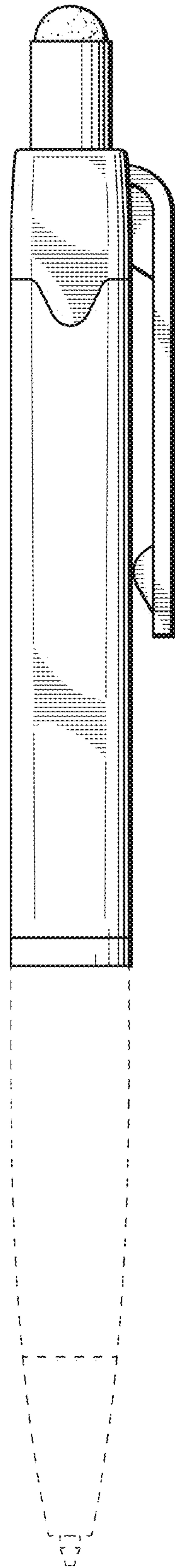
FIG. 3



*FIG. 4*



*FIG. 5*



*FIG. 6*