



US00D925654S

(12) **United States Design Patent** (10) **Patent No.:** **US D925,654 S**  
**Epstein** (45) **Date of Patent:** **\*\* Jul. 20, 2021**

(54) **PEN**  
(71) Applicant: **GMG Pen LLC**, Lakewood, NJ (US)  
(72) Inventor: **David A. Epstein**, Lakewood, NJ (US)  
(73) Assignee: **GMG Pen LLC**, Lakewood, NJ (US)  
(\*\*) Term: **15 Years**

D708,671 S \* 7/2014 Laemle ..... D19/174  
D709,949 S \* 7/2014 Fleming ..... D19/119  
D713,882 S \* 9/2014 Fleming ..... D19/179  
D730,988 S \* 6/2015 Cleere ..... D19/201  
D745,089 S \* 12/2015 Cohen ..... D19/174  
D751,144 S \* 3/2016 Goodelman ..... D19/171  
D752,050 S \* 3/2016 Zhang ..... D14/411  
D753,768 S \* 4/2016 Goodelman ..... D19/171  
D755,293 S \* 5/2016 Cleere ..... D19/201

(Continued)

(21) Appl. No.: **29/716,865**  
(22) Filed: **Dec. 12, 2019**  
(51) **LOC (13) Cl.** ..... **19-06**  
(52) **U.S. Cl.**  
USPC ..... **D19/174; D19/926**  
(58) **Field of Classification Search**  
USPC ..... D19/115-204; D14/411  
CPC . B43K 5/005; B43K 7/12; B43K 8/04; B43K  
8/06; B43K 21/006; B43K 21/06  
See application file for complete search history.

**OTHER PUBLICATIONS**

Advertising Promotional Promotion Customer Custom Plastic Ball  
Cheap Pen with Logo, wholesaler.alibaba.com/product-detail, Alibaba.  
com, 2016.\*

(Continued)

*Primary Examiner* — Elizabeth A. Albert  
(74) *Attorney, Agent, or Firm* — Bochner IP, PLLC;  
Andrew D. Bochner

(56) **References Cited**

**U.S. PATENT DOCUMENTS**

4,983,062 A \* 1/1991 Hour ..... A63F 9/001  
273/153 S  
D395,448 S \* 6/1998 Chevalier ..... D19/174  
D433,704 S \* 11/2000 Kouda ..... D19/174  
D506,503 S \* 6/2005 Qiu ..... D19/174  
D512,741 S \* 12/2005 Cetera ..... D19/174  
D540,866 S \* 4/2007 Qiu ..... D19/174  
D552,174 S \* 10/2007 Tien ..... D19/174  
D553,679 S \* 10/2007 Tien ..... D19/174  
D573,184 S \* 7/2008 Vadenne ..... D19/174  
D601,197 S \* 9/2009 Zhang ..... D19/174  
D612,888 S \* 3/2010 Rolion ..... D19/171  
D628,640 S \* 12/2010 Wang ..... D19/173  
D628,645 S \* 12/2010 Zhang ..... D19/174  
D654,952 S \* 2/2012 Laemle ..... D19/172  
D665,025 S \* 8/2012 Li ..... D19/172  
8,550,735 B2 \* 10/2013 Rolion ..... B43K 24/084  
401/103

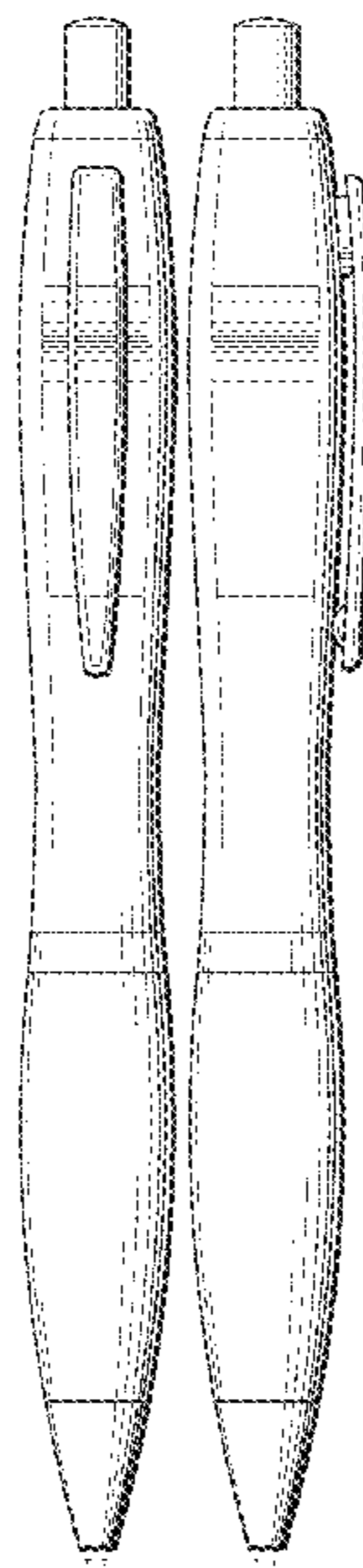
(57) **CLAIM**

The ornamental design for a pen, as shown and described.

**DESCRIPTION**

FIG. 1 is a top, front, right side perspective view of the pen;  
FIG. 2 is a top plan view thereof, shown at an enlarged scale;  
FIG. 3 is a bottom plan view thereof, shown at an enlarged  
scale;  
FIG. 4 is a front elevation view thereof;  
FIG. 5 is a rear elevation view thereof; and,  
FIG. 6 is a left side elevation view thereof, the right side  
elevation view being a mirror image.  
In the drawings, the broken lines are for the purpose of  
illustrating environment only, and form no part of the  
claimed design.

**1 Claim, 2 Drawing Sheets**



(56)

**References Cited**

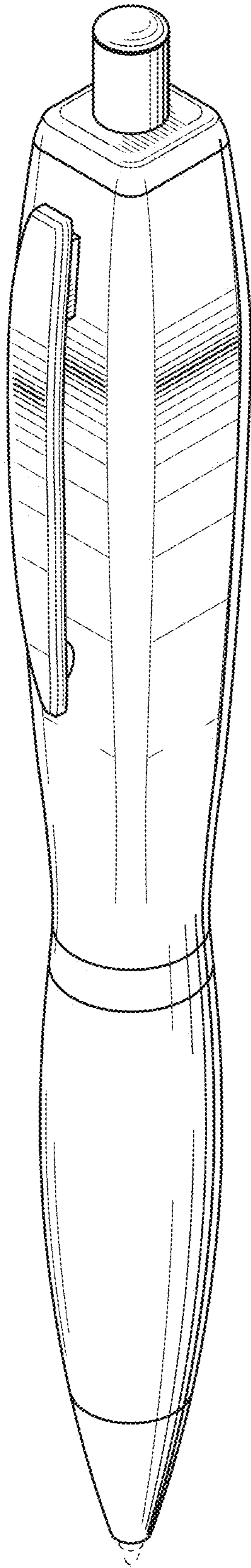
U.S. PATENT DOCUMENTS

D757,850 S	*	5/2016	Zhang .....	D19/123
D771,749 S	*	11/2016	Boisdevesys .....	D19/171
D782,576 S	*	3/2017	Laemle .....	D19/172
D813,948 S	*	3/2018	Vadenne .....	D19/197
D863,433 S	*	10/2019	Jia .....	D19/171
D890,843 S	*	7/2020	Fang .....	D19/174

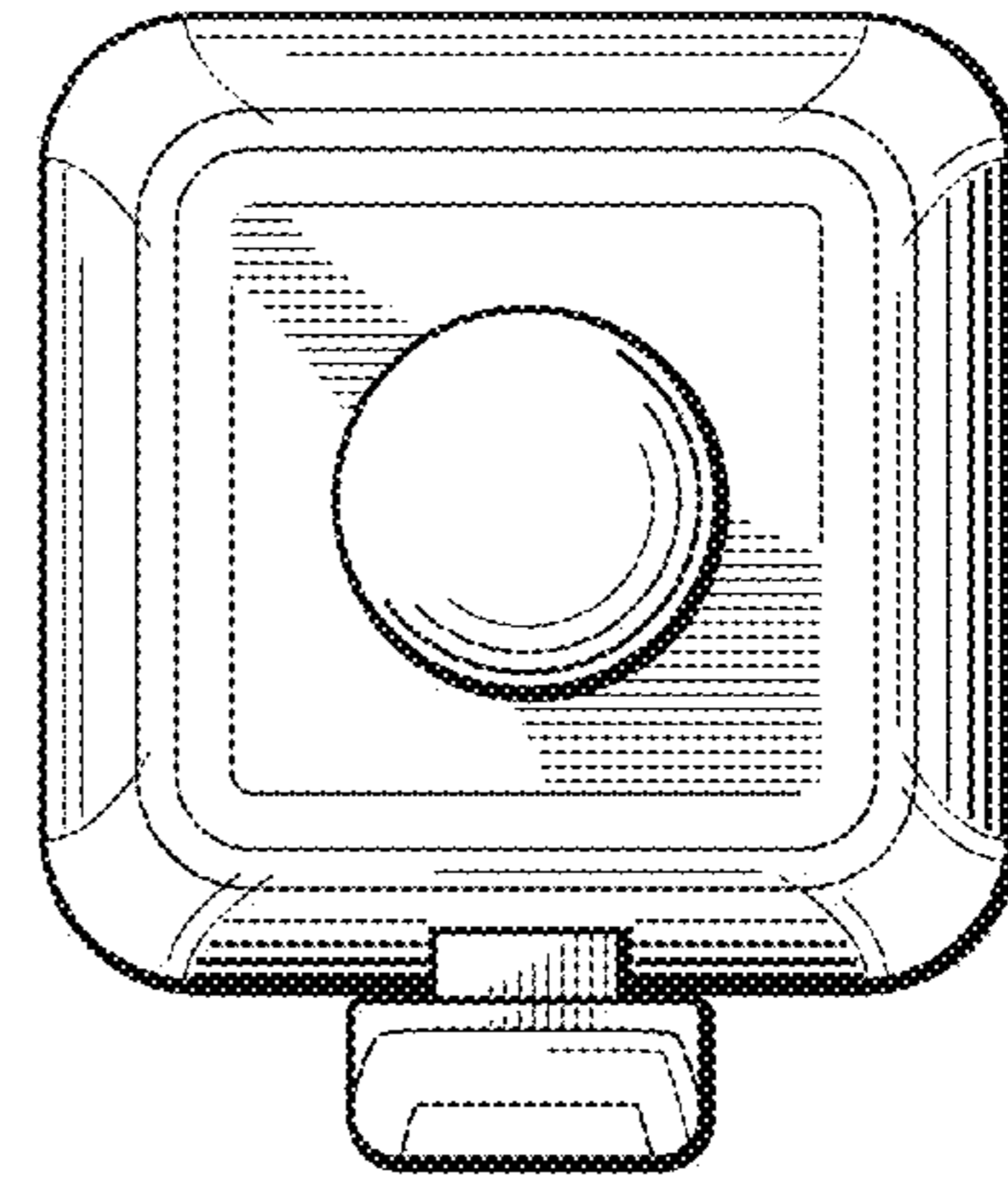
OTHER PUBLICATIONS

Pinterest Plastic Ball Cheap Pen with Logo, saved by Alibaba-B2B, 2017.\*

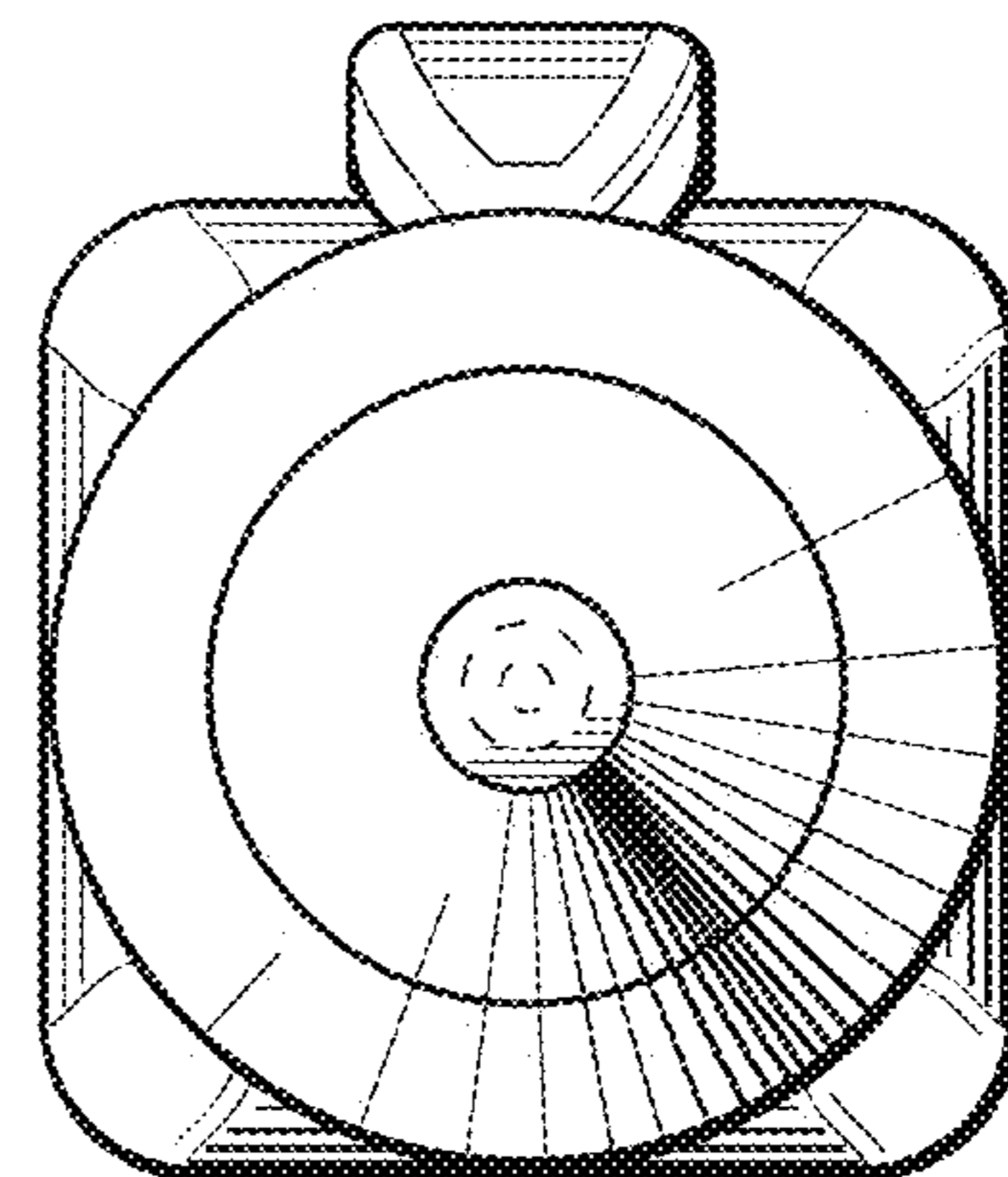
\* cited by examiner



*FIG. 1*



*FIG. 2*



*FIG. 3*

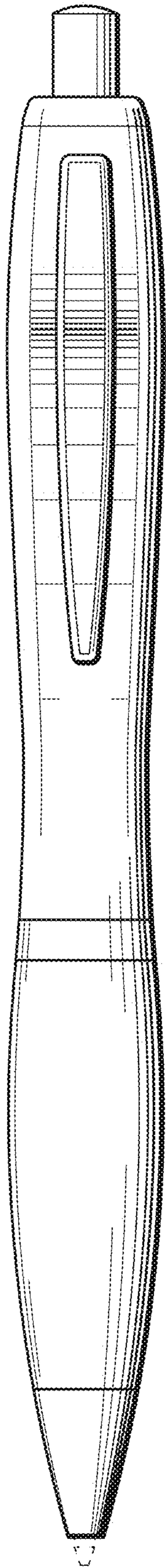


FIG. 4

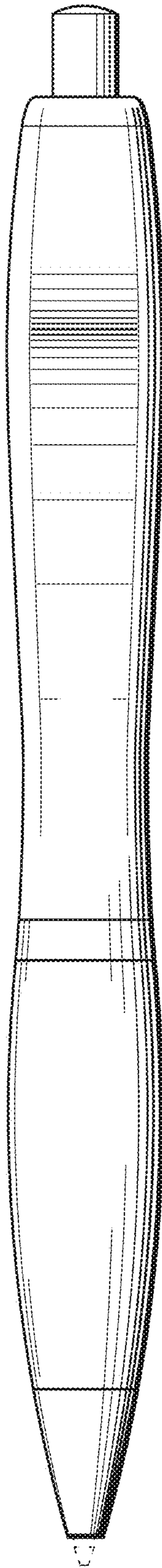


FIG. 5

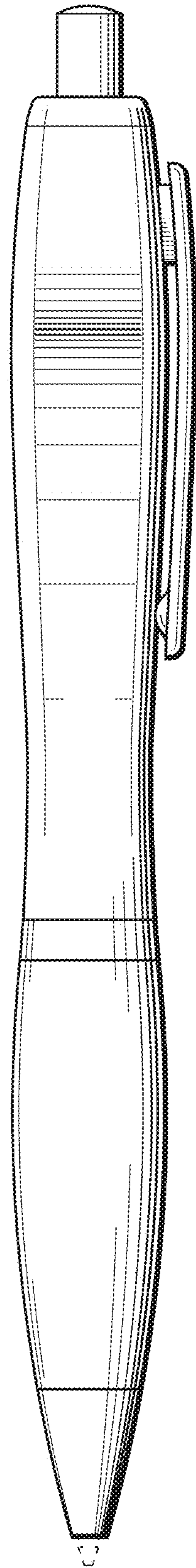


FIG. 6