



US00D925647S

(12) **United States Design Patent** (10) **Patent No.:** **US D925,647 S**
Ogasawara et al. (45) **Date of Patent:** **** Jul. 20, 2021**

(54) **INK BOTTLE FOR REFILLING PRINTER CARTRIDGES**

FOREIGN PATENT DOCUMENTS

(71) Applicant: **CANON KABUSHIKI KAISHA**,
Tokyo (JP)

EM 002009563-0002 3/2012
JP D1137189 S 3/2002

(Continued)

(72) Inventors: **Hitomi Ogasawara**, Tokyo (JP);
Manabu Ohara, Tokyo (JP); **Shoki Takiguchi**, Tokyo (JP); **Akihisa Shiozaki**, Tokyo (JP); **Hiroki Hayashi**, Tokyo (JP); **Noriyasu Nagai**, Tokyo (JP); **Hiroshi Koshikawa**, Tokyo (JP); **Kenta Udagawa**, Tokyo (JP)

OTHER PUBLICATIONS

Co-pending, unpublished U.S. Appl. No. 35/508,987, filed Oct. 2, 2019.

Primary Examiner — Khawaja Anwar

(**) Term: **15 Years**

(57) **CLAIM**

The ornamental design for an ink bottle for refilling printer cartridges, as shown and described.

(21) Appl. No.: **35/508,987**

DESCRIPTION

(22) Filed: **Oct. 2, 2019**

(80) **Hague Agreement Data**

Int. Filing Date: **Oct. 2, 2019**
Int. Reg. No.: **DM/206448**
Int. Reg. Date: **Oct. 2, 2019**
Int. Reg. Pub. Date: **Apr. 3, 2020**

- 1.1 : Front
- 1.2: Back
- 1.3: Top
- 1.4: Bottom
- 1.5 : Left
- 1.6: Right
- 1.7: Perspective
- 1.8: Perspective
- 1.9: Front
- 1.10: Back
- 1.11: Top
- 1.12: Left
- 1.13: Right
- 1.14: Perspective
- 2.1 : Front
- 2.2: Back
- 2.3: Top
- 2.4: Bottom
- 2.5: Left
- 2.6: Right
- 2.7: Perspective
- 2.8: Perspective
- 2.9: Front
- 2.10: Back
- 2.11: Top

(30) **Foreign Application Priority Data**

Apr. 5, 2019 (JP) 2019-007445
Apr. 5, 2019 (JP) 2019-007447

(51) **LOC (13) Cl.** **18-03**

(52) **U.S. Cl.**
USPC **D18/56**

(58) **Field of Classification Search**
USPC D18/18, 40, 43, 56, 99
(Continued)

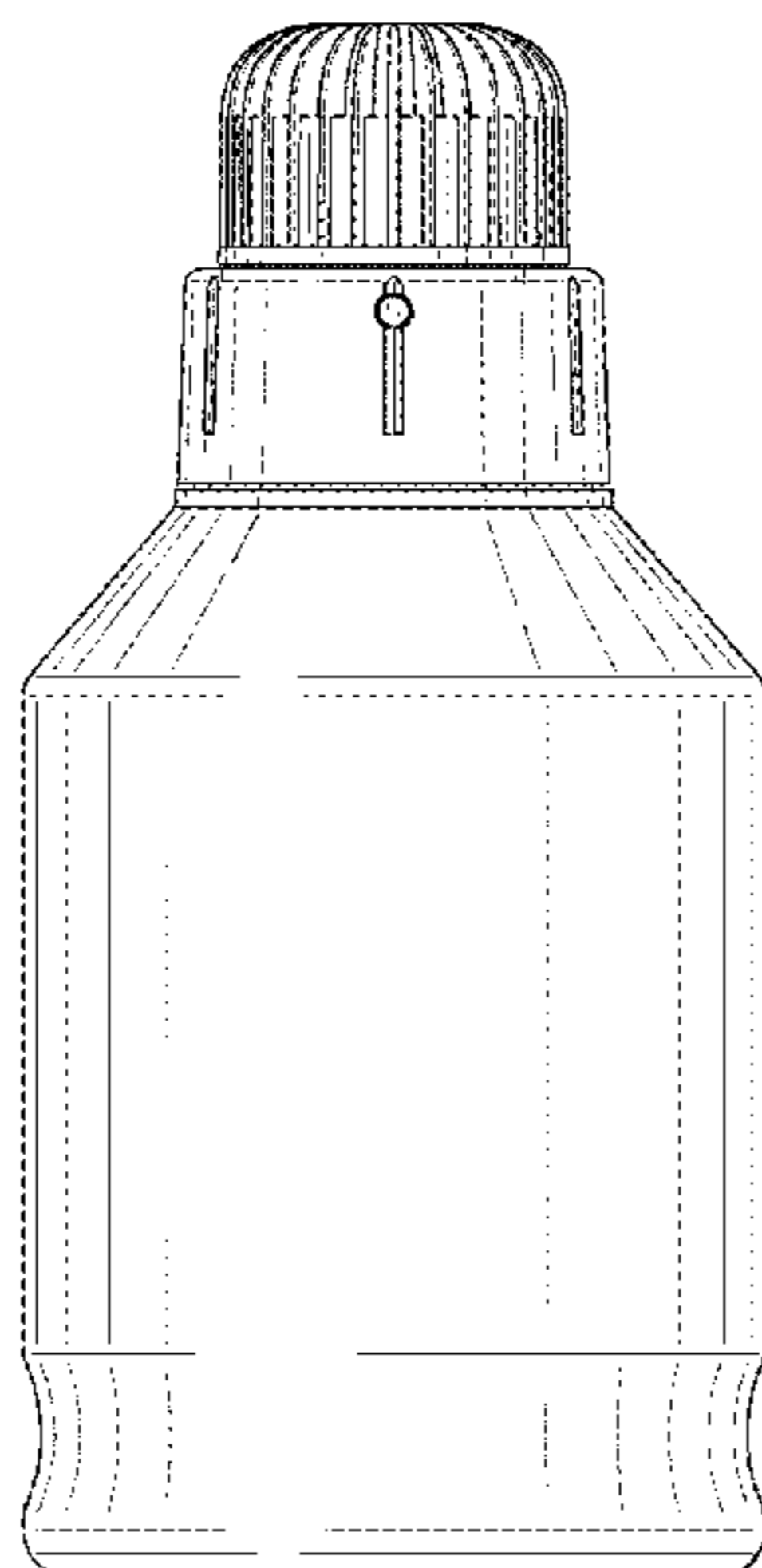
(56) **References Cited**

U.S. PATENT DOCUMENTS

D277,736 S * 2/1985 Long D9/443
D279,080 S * 6/1985 Negishi D9/453

(Continued)

(Continued)



2.12: Left
 2.13: Right
 2.14 : Perspective

1 Claim, 14 Drawing Sheets

(58) **Field of Classification Search**

CPC G03G 15/0832; G03G 15/0834; G03G
 15/0836; G03G 15/0837; G03G 15/0867;
 G03G 15/0868; G03G 15/0872; G03G
 15/0877; G03G 15/0898; G03G 15/50;
 G03G 15/5016; G03G 15/60; G03G
 15/65

See application file for complete search history.

(56) **References Cited**

U.S. PATENT DOCUMENTS

D362,623 S * 9/1995 Ma D9/443
 D419,069 S * 1/2000 Beck D9/443

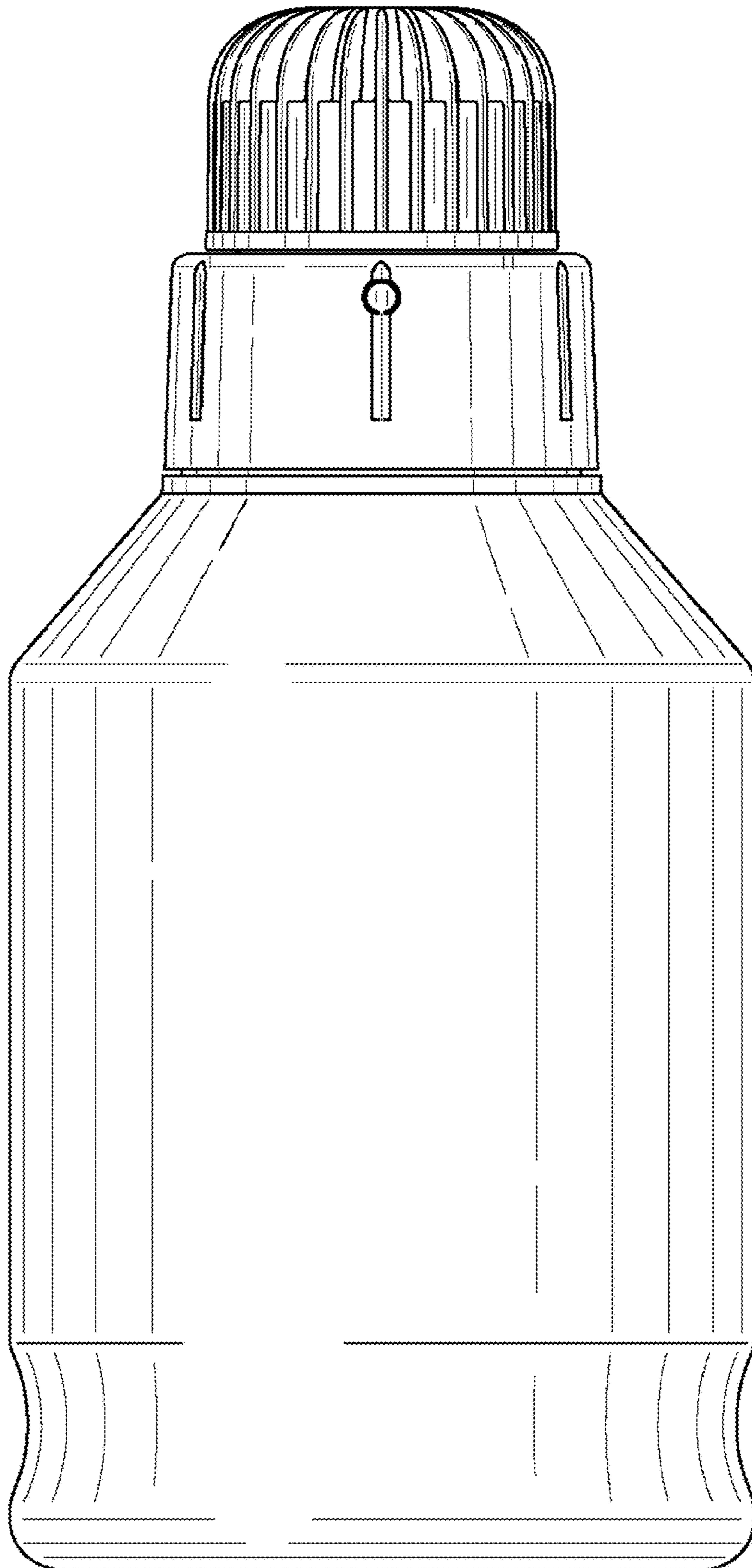
D443,512 S * 6/2001 Kishita D9/443
 D775,953 S * 1/2017 Ruthe-Steinsiek D9/453
 D786,966 S * 5/2017 Matsushita D18/56
 D816,158 S * 4/2018 Yoshii D18/56
 D838,171 S * 1/2019 Wood D9/453
 D865,521 S * 11/2019 Ishizawa D9/453
 D869,550 S * 12/2019 Yoshii D18/56
 10,618,292 B2 4/2020 Fukasawa et al.
 D906,415 S * 12/2020 Fukushima D18/43
 D908,496 S * 1/2021 Domnine D9/453
 2018/0250943 A1 9/2018 Fukasawa et al.

FOREIGN PATENT DOCUMENTS

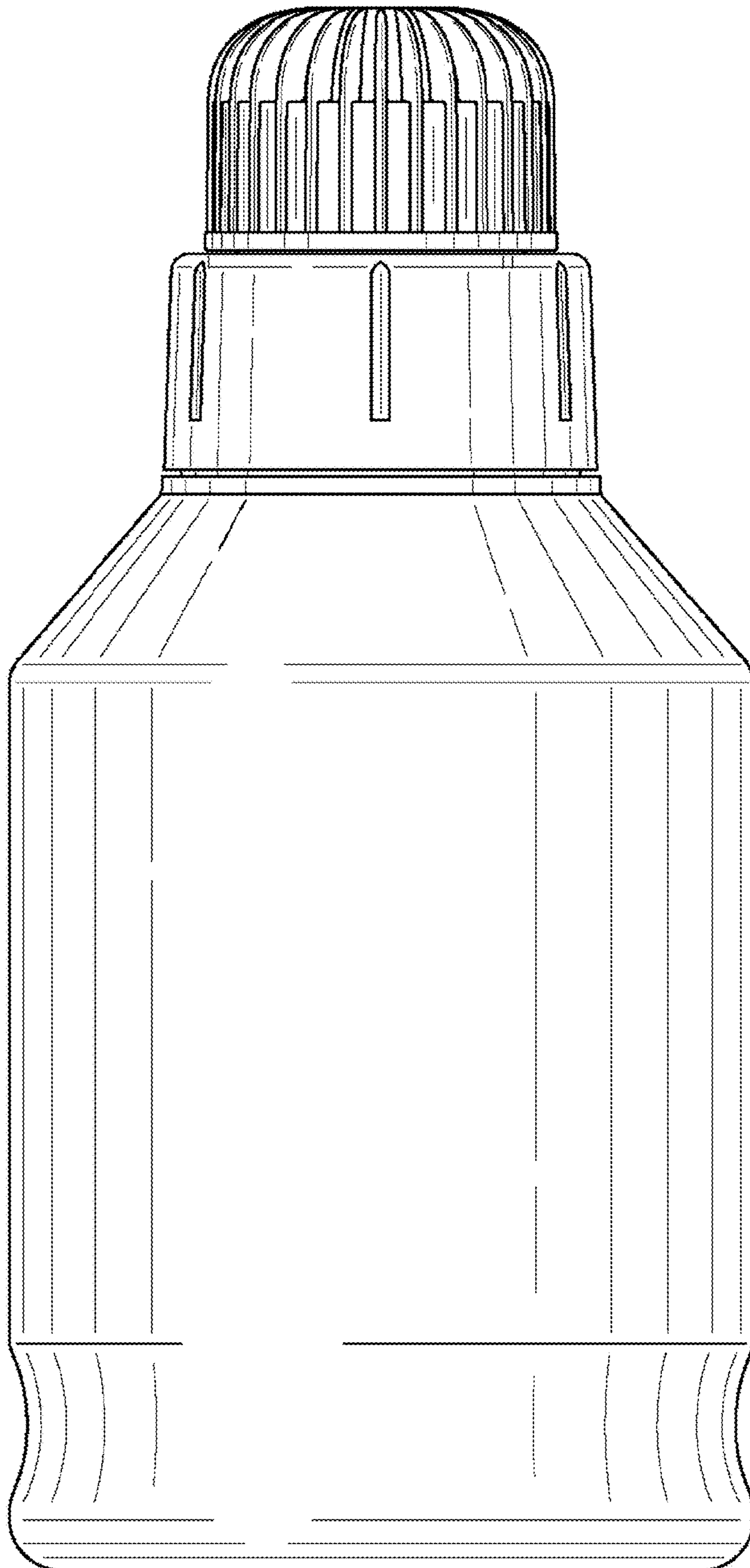
JP D1138089 S 4/2002
 JP D1138090 S 4/2002
 JP D1297057 S 3/2007
 JP D1445761 S 7/2012
 JP D1555159 S 8/2016
 JP D1555396 S 8/2016
 JP D1573851 S 3/2018
 JP D1603216 S 5/2018
 JP 2018144239 A 9/2018

* cited by examiner

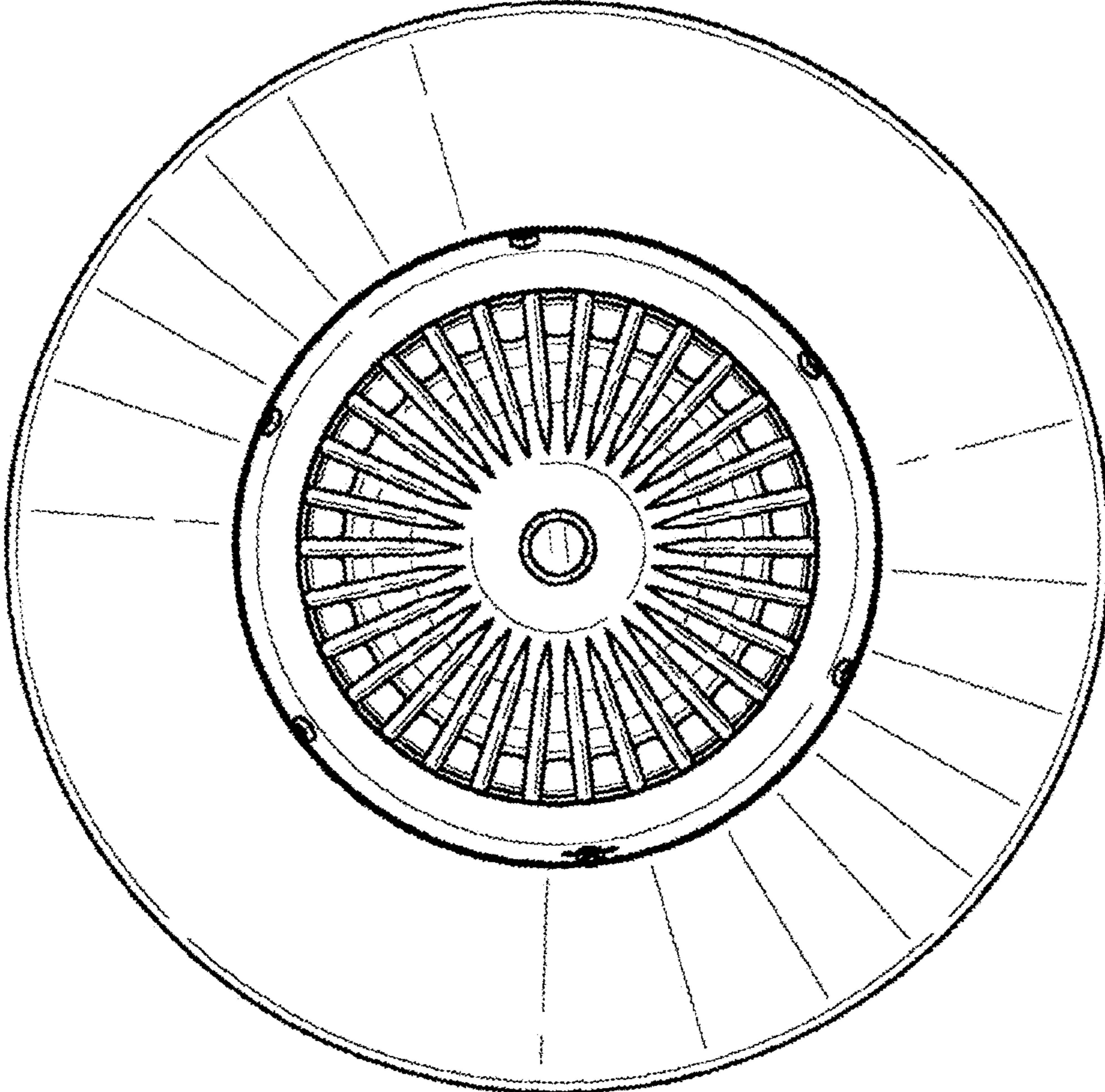
2.1



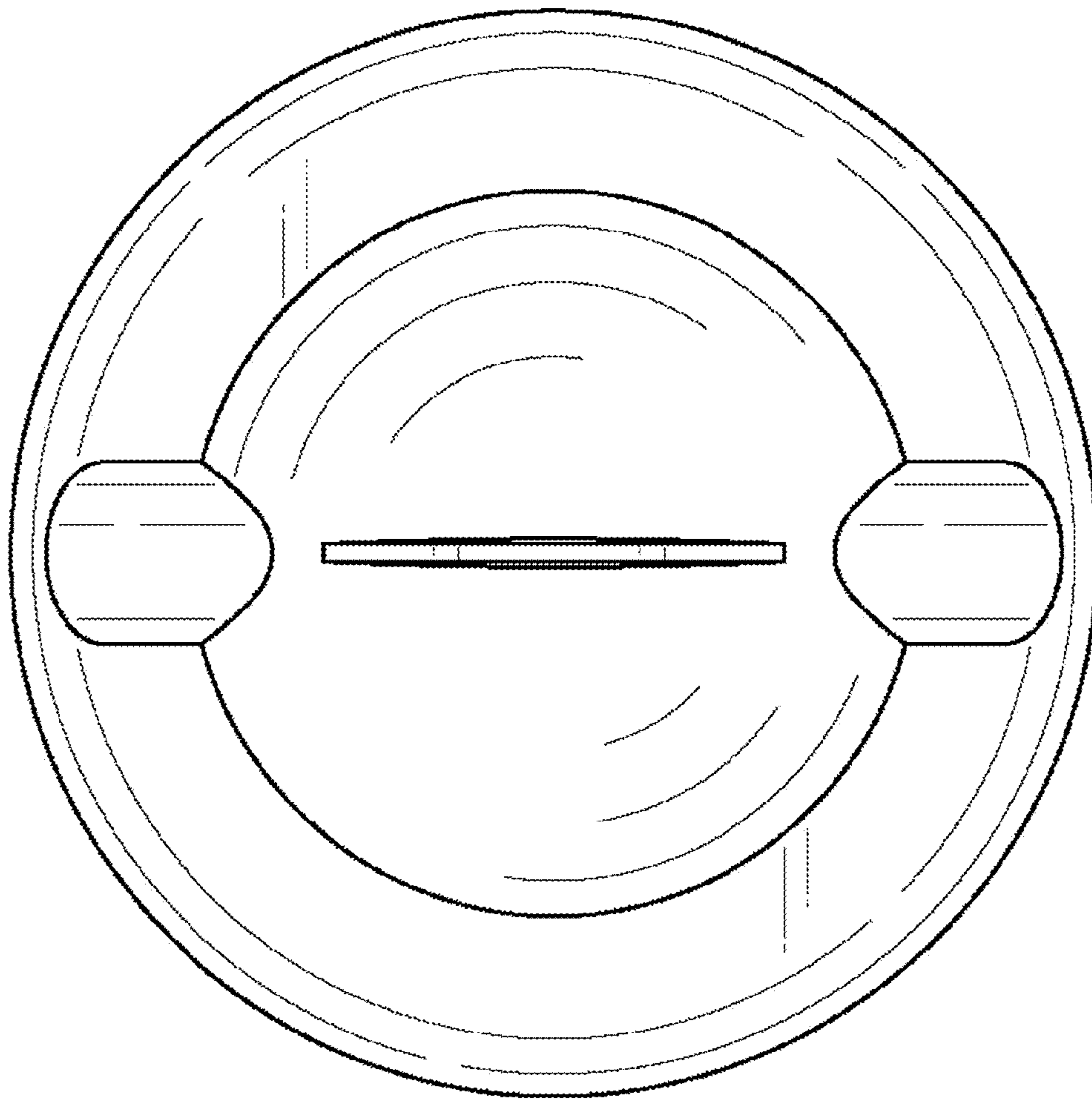
2.2



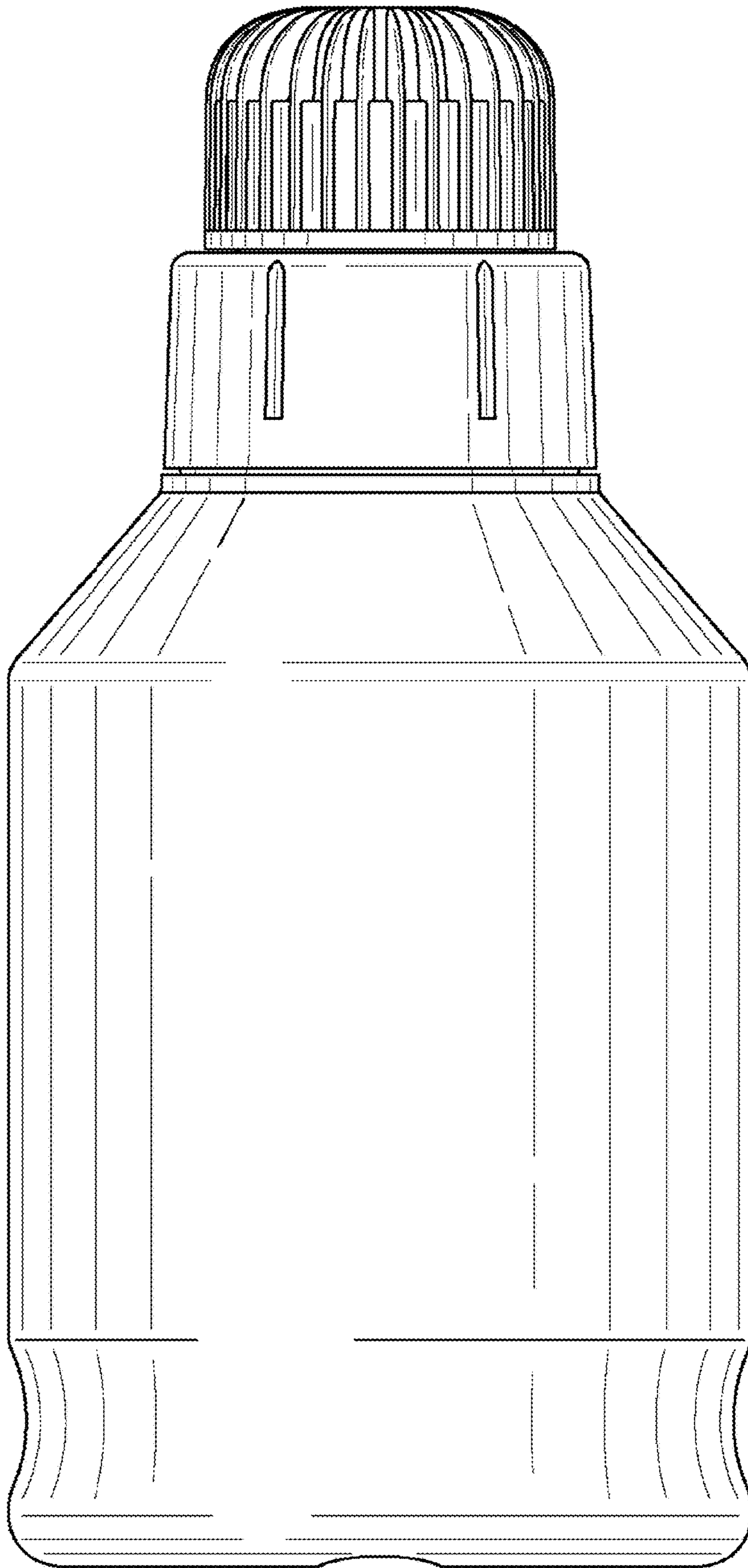
2.3



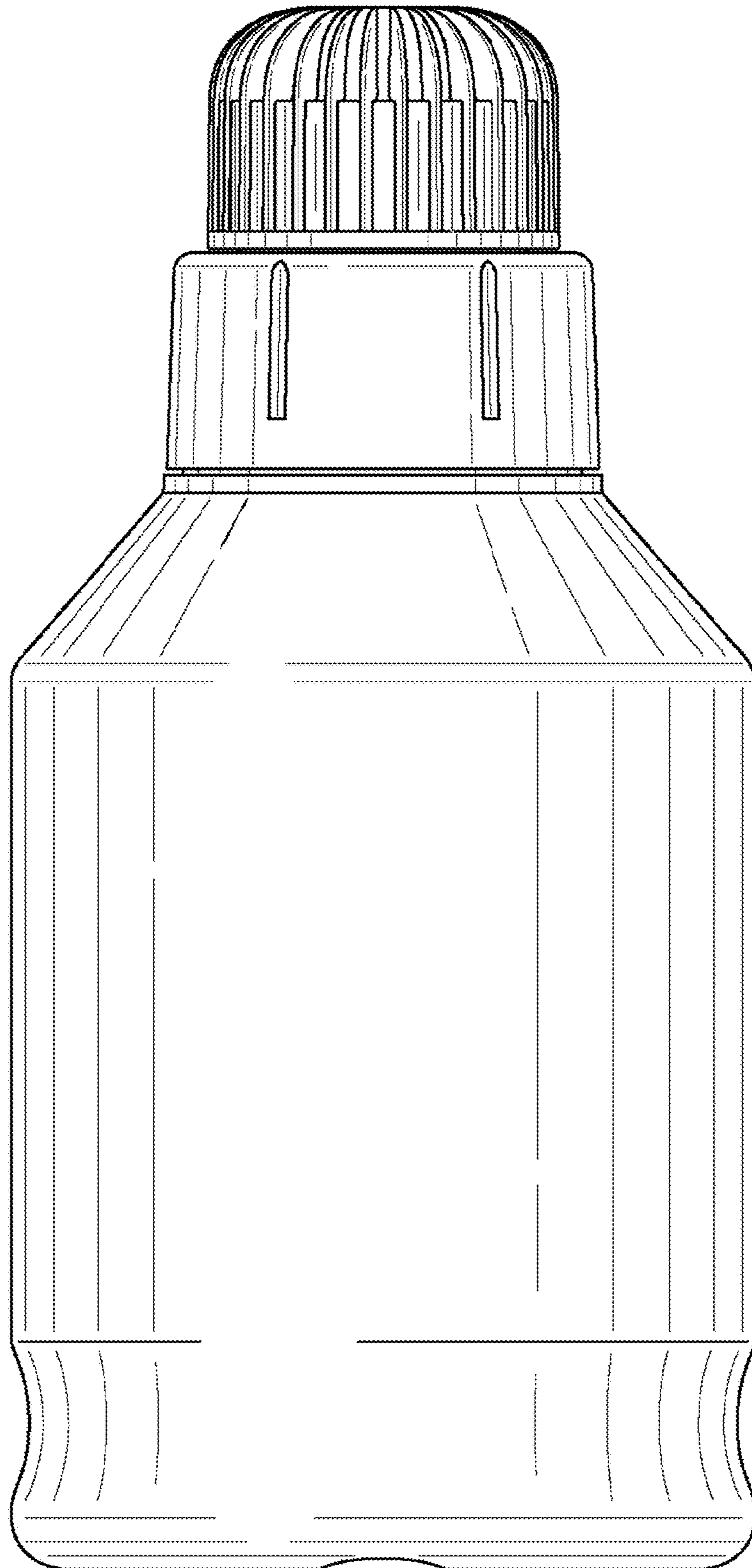
2.4



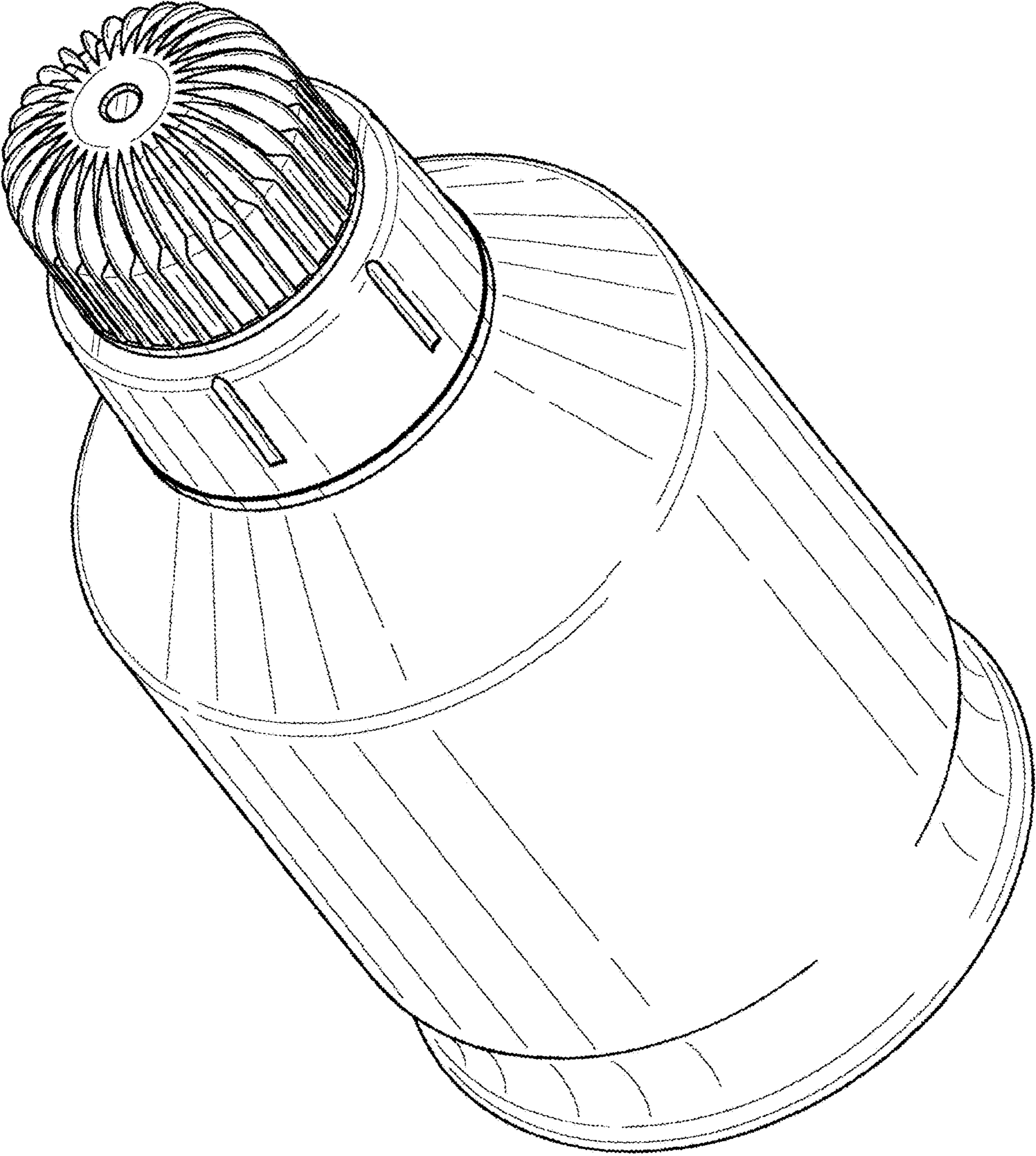
2.5



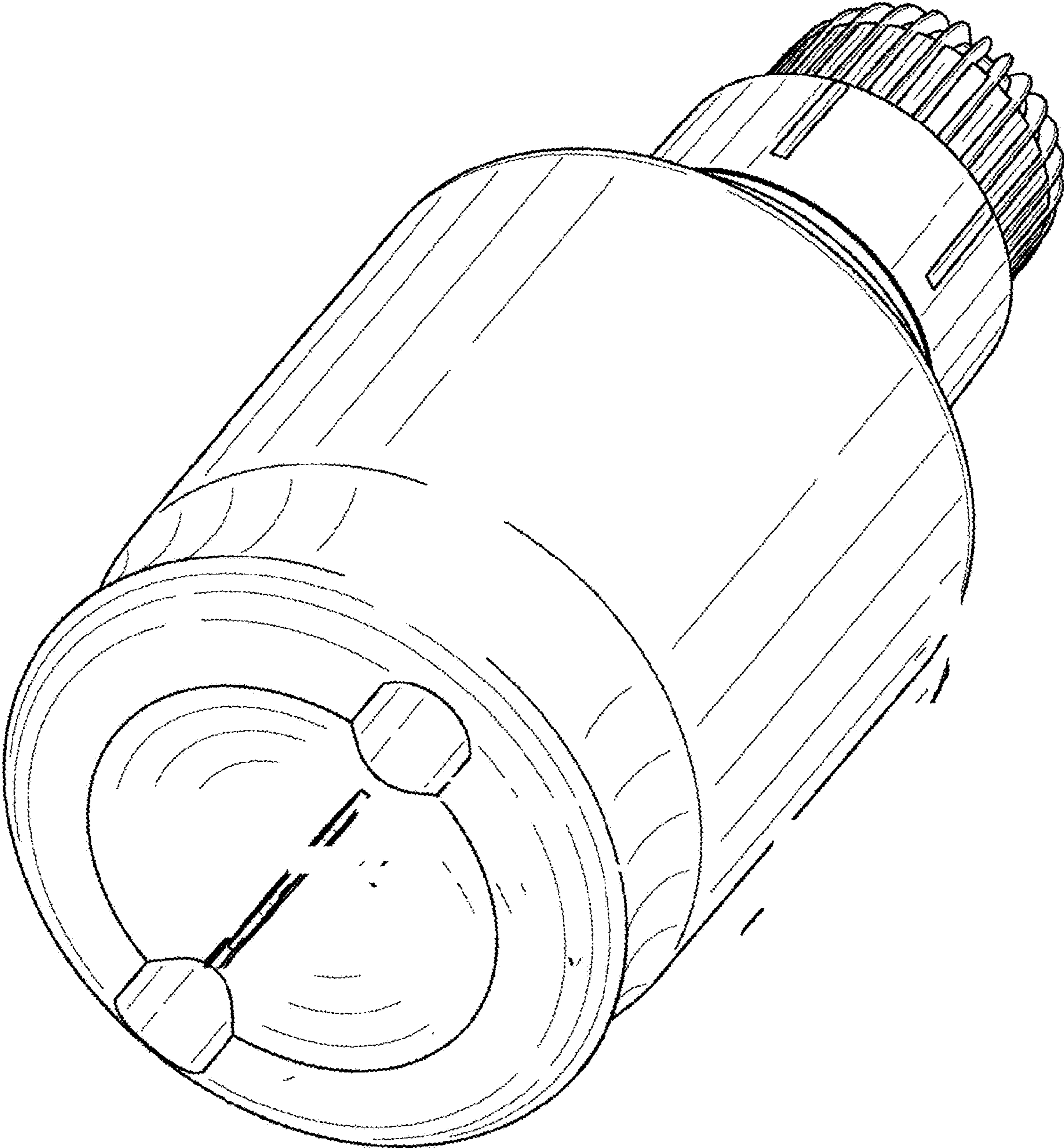
2.6



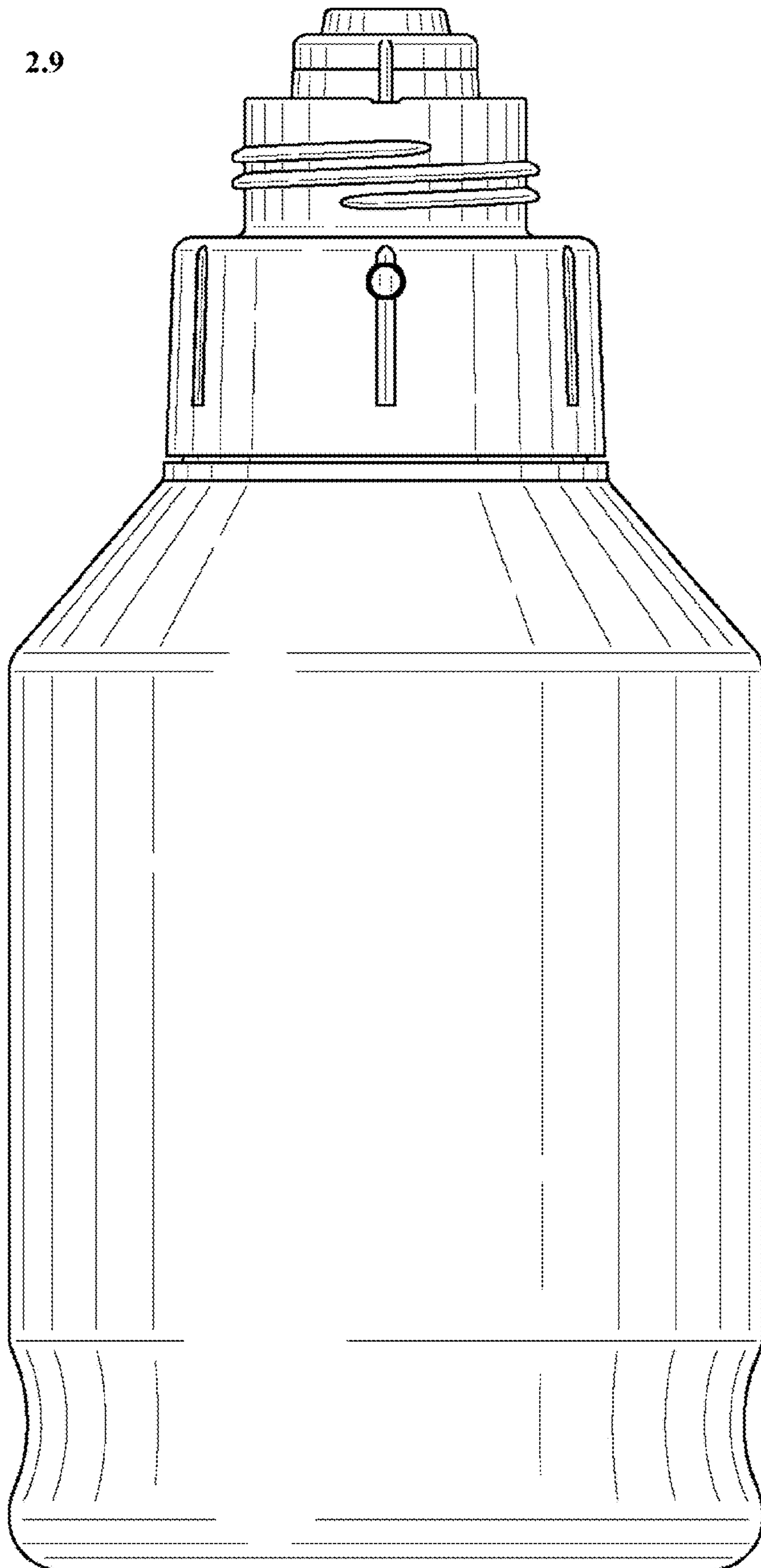
2.7



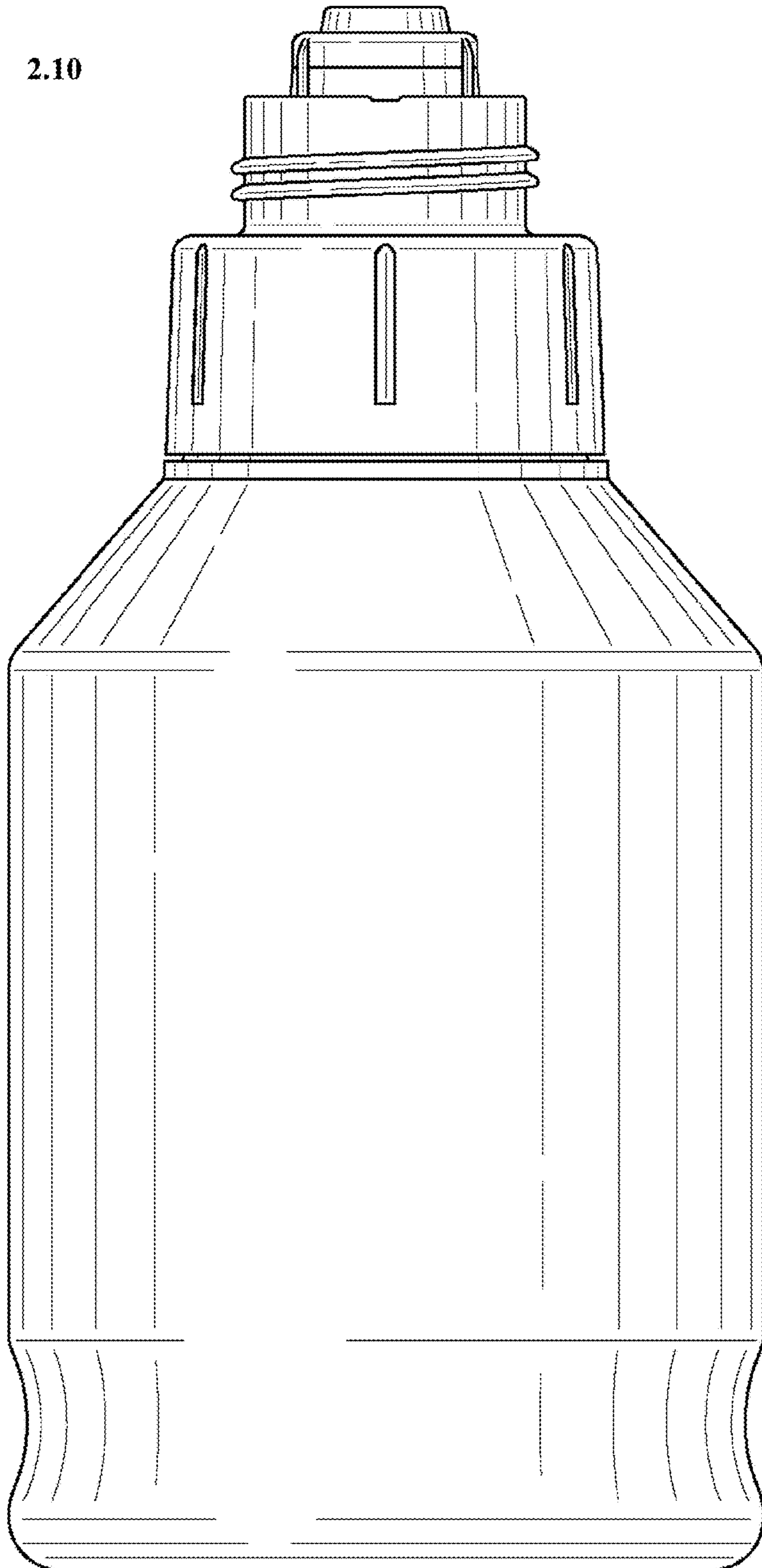
2.8



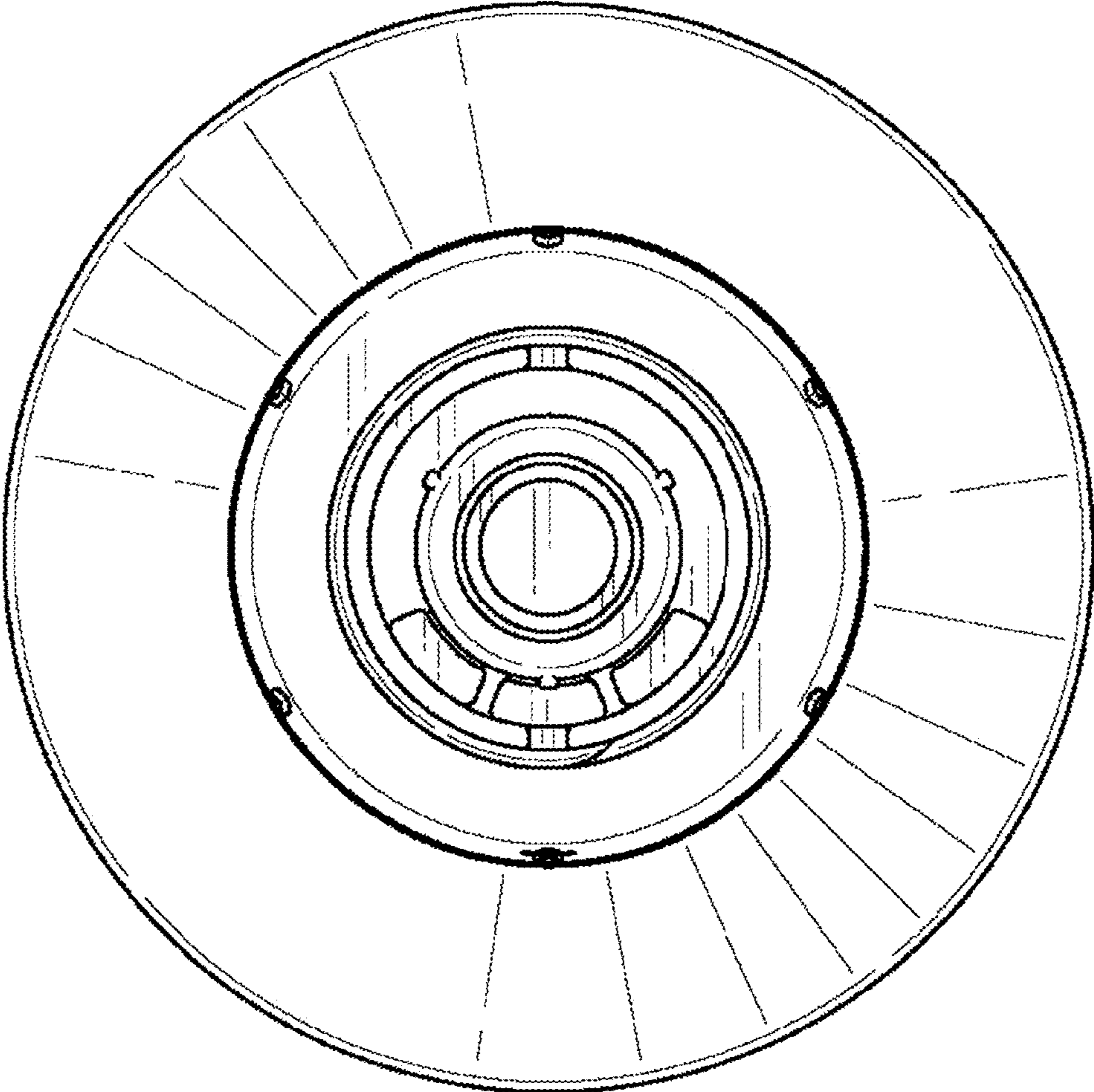
2.9



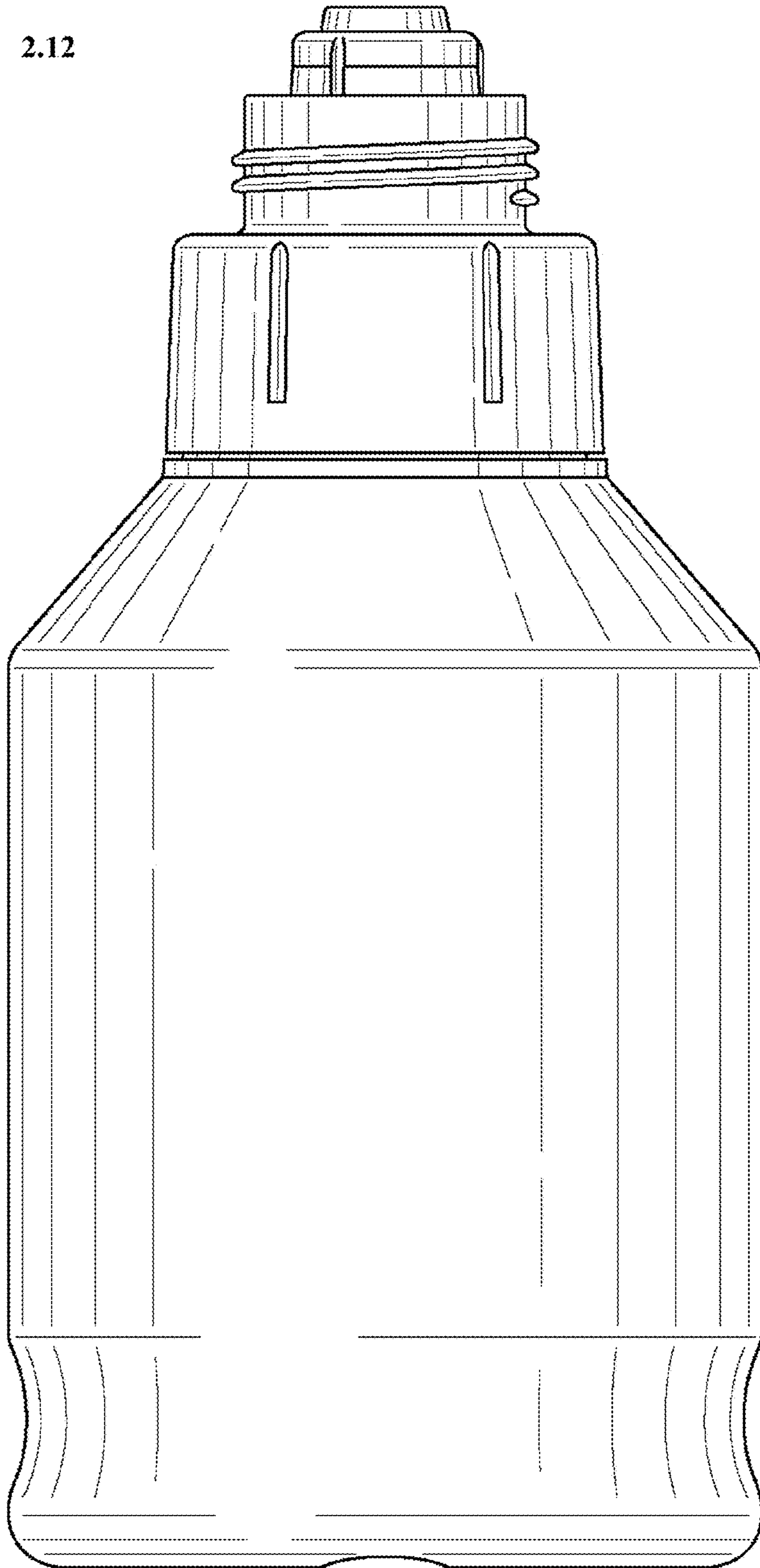
2.10



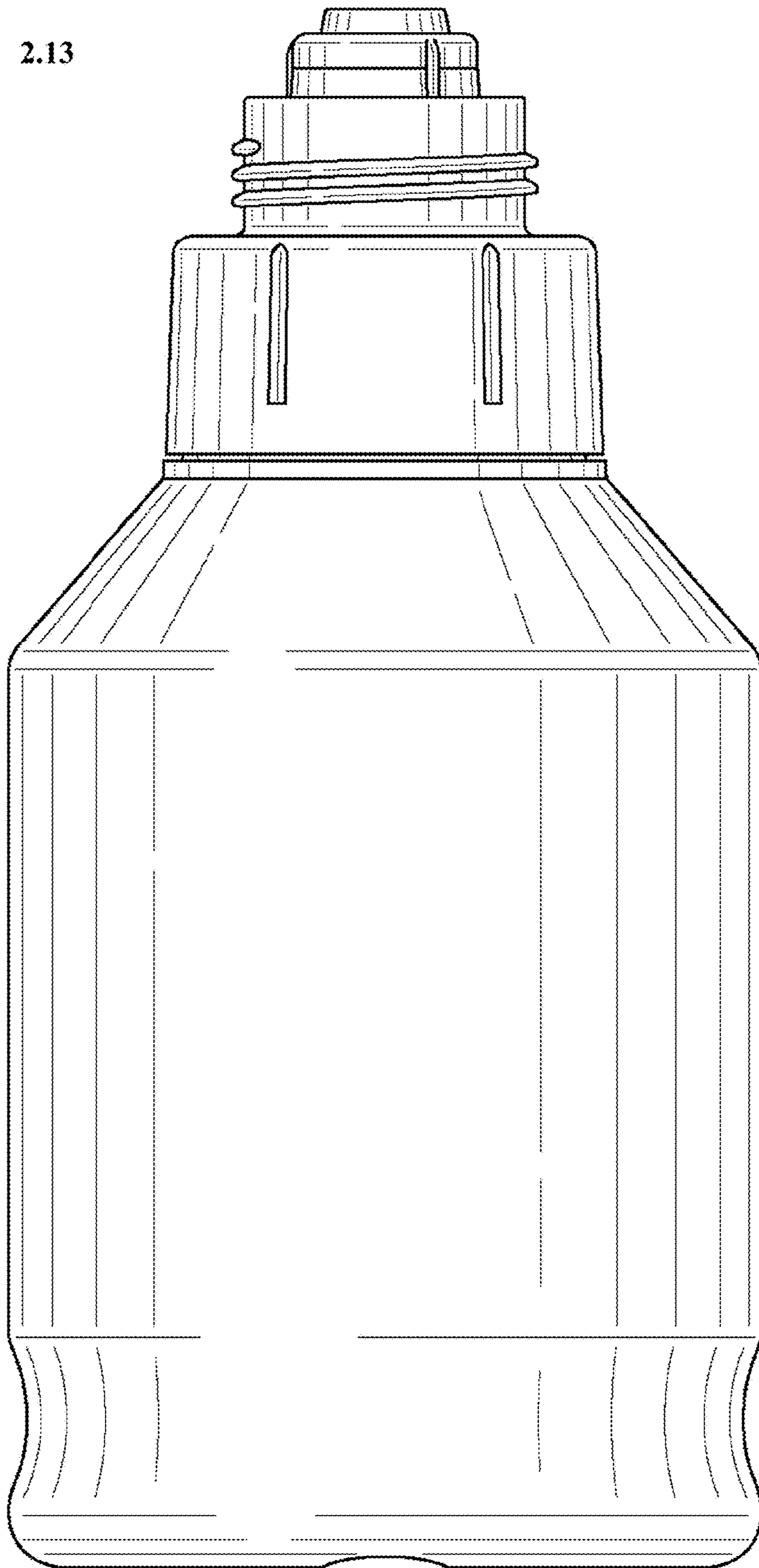
2.11



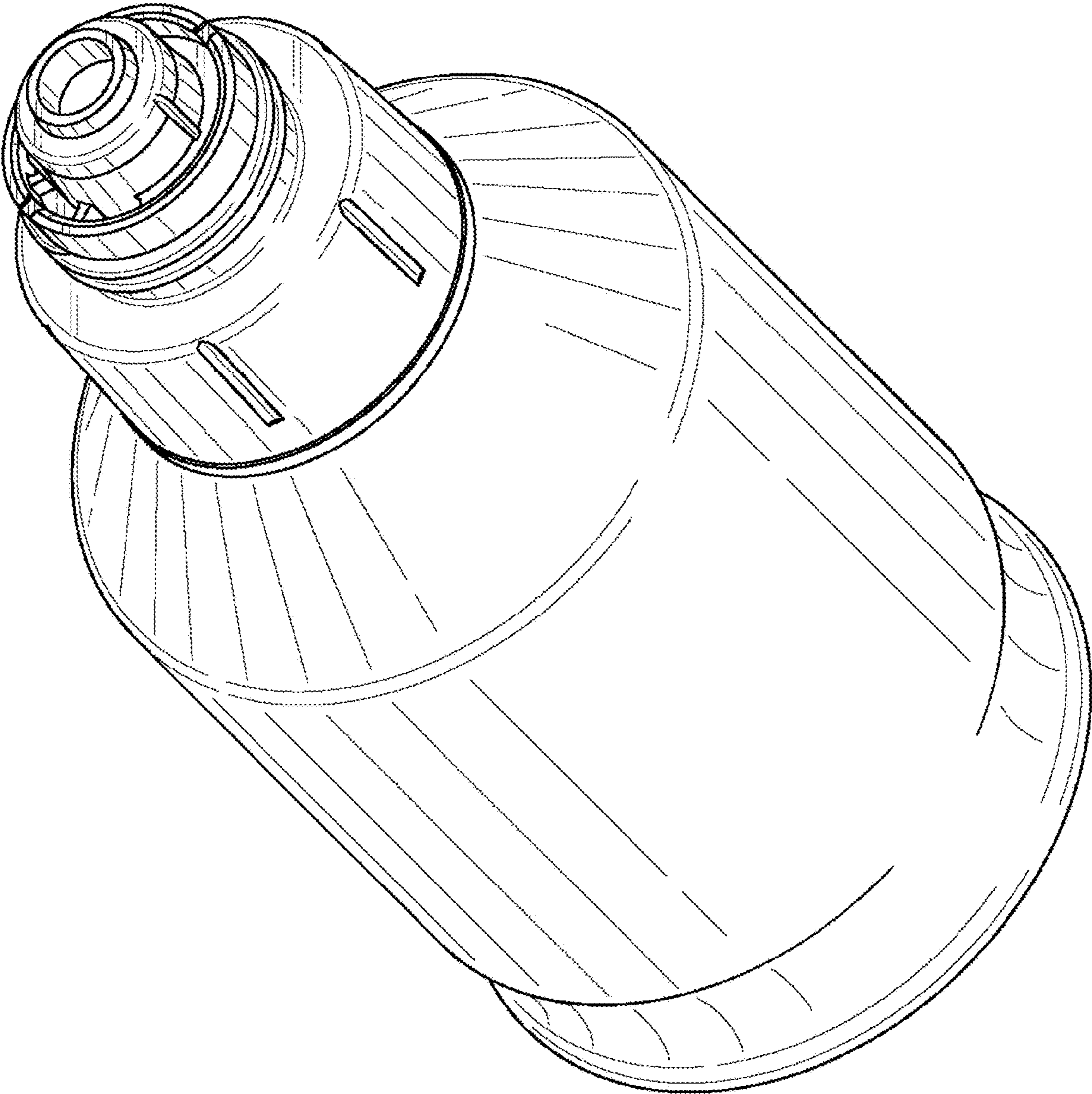
2.12



2.13



2.14



UNITED STATES PATENT AND TRADEMARK OFFICE
CERTIFICATE OF CORRECTION

PATENT NO. : D925,647 S
APPLICATION NO. : 35/508987
DATED : July 20, 2021
INVENTOR(S) : Hitomi Ogasawara et al.

Page 1 of 17

It is certified that error appears in the above-identified patent and that said Letters Patent is hereby corrected as shown below:

On the Title Page

Delete the Title Page and substitute therefore with the attached title page consisting of the corrected illustrative figures.

In the Drawings

Insert the following reproductions 1.1 through 1.14 before reproduction 2.1: as shown on the attached pages.

Signed and Sealed this
Twenty-fifth Day of January, 2022



Drew Hirshfeld
*Performing the Functions and Duties of the
Under Secretary of Commerce for Intellectual Property and
Director of the United States Patent and Trademark Office*

(12) **United States Design Patent** (10) **Patent No.:** **US D925,647 S**
Ogasawara et al. (45) **Date of Patent:** **** Jul. 20, 2021**

(54) **INK BOTTLE FOR REFILLING PRINTER CARTRIDGES**

FOREIGN PATENT DOCUMENTS

(71) Applicant: **CANON KABUSHIKI KAISHA,**
Tokyo (JP)

EM 002009563-0002 3/2012
 JP D1137189 S 3/2002
 (Continued)

(72) Inventors: **Hitomi Ogasawara,** Tokyo (JP);
Manabu Ohara, Tokyo (JP); **Shoki Takiguchi,** Tokyo (JP); **Akihisa Shiozaki,** Tokyo (JP); **Hiroki Hayashi,** Tokyo (JP); **Noriyasu Nagai,** Tokyo (JP); **Hiroshi Koshikawa,** Tokyo (JP); **Kenta Udagawa,** Tokyo (JP)

OTHER PUBLICATIONS

Co-pending, unpublished U.S. Appl. No. 35/508,987, filed Oct. 2, 2019.

Primary Examiner — Khawaja Anwar

(**) Term: **15 Years**

(57) **CLAIM**
 The ornamental design for an ink bottle for refilling printer cartridges, as shown and described.

(21) Appl. No.: **35/508,987**

DESCRIPTION

(22) Filed: **Oct. 2, 2019**

- 1.1: Front
- 1.2: Back
- 1.3: Top
- 1.4: Bottom
- 1.5: Left
- 1.6: Right
- 1.7: Perspective
- 1.8: Perspective
- 1.9: Front
- 1.10: Back
- 1.11: Top
- 1.12: Left
- 1.13: Right
- 1.14: Perspective
- 2.1: Front
- 2.2: Back
- 2.3: Top
- 2.4: Bottom
- 2.5: Left
- 2.6: Right
- 2.7: Perspective
- 2.8: Perspective
- 2.9: Front
- 2.10: Back
- 2.11: Top

(80) **Hague Agreement Data**

Int. Filing Date: **Oct. 2, 2019**
 Int. Reg. No.: **DM/206448**
 Int. Reg. Date: **Oct. 2, 2019**
 Int. Reg. Pub. Date: **Apr. 3, 2020**

(30) **Foreign Application Priority Data**

Apr. 5, 2019 (JP) 2019-007445
 Apr. 5, 2019 (JP) 2019-007447

(51) **LOC (13) CL.** **18-03**

(52) **U.S. CL.**
 USPC **D18/56**

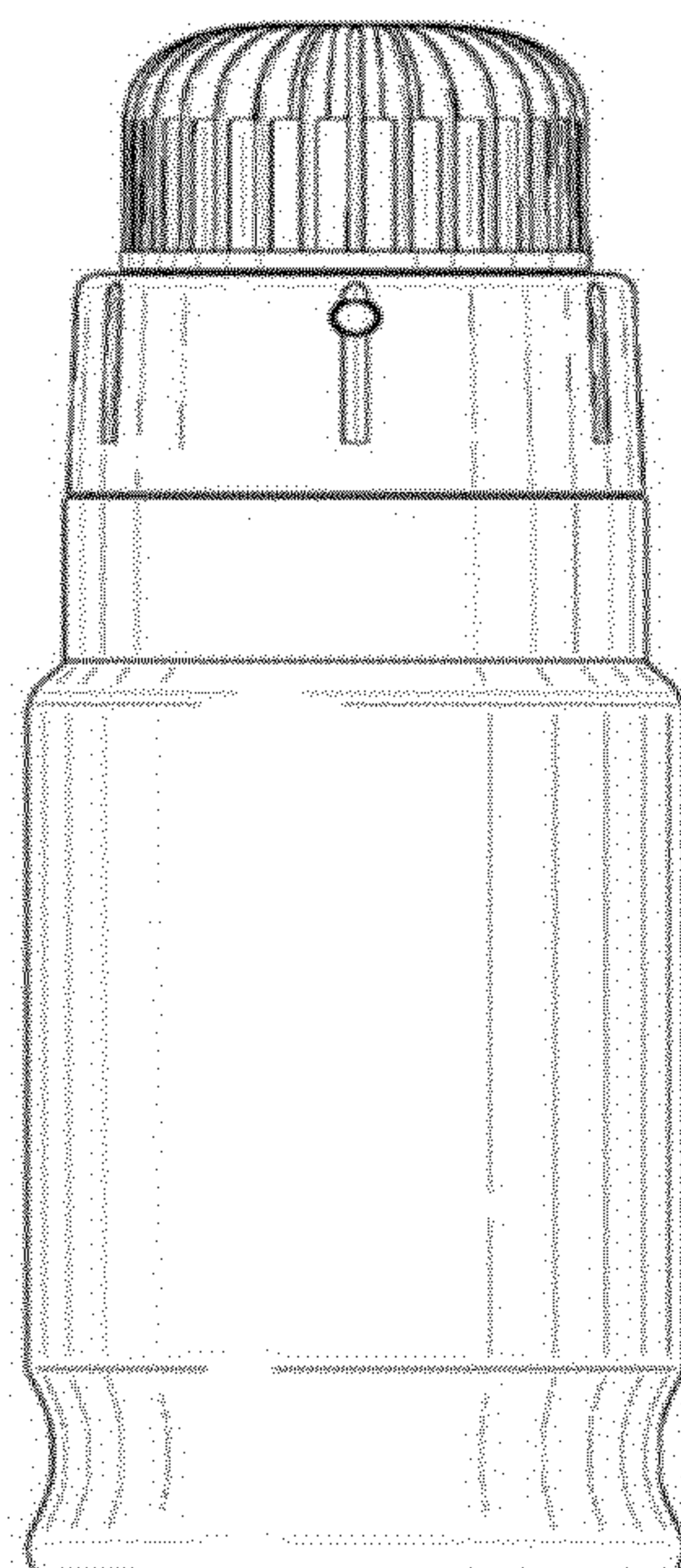
(58) **Field of Classification Search**
 USPC **D18/18, 40, 43, 56, 99**
 (Continued)

(56) **References Cited**

U.S. PATENT DOCUMENTS

D277,736 S * 2/1985 Long D9/443
 D279,080 S * 6/1985 Negishi D9/453
 (Continued)

(Continued)



US D925,647 S

Page 2

2.12: Left
 2.13: Right
 2.14 : Perspective

1 Claim, 28 Drawing Sheets

(58) **Field of Classification Search**

CPC G03G 15/0832; G03G 15/0834; G03G
 15/0836; G03G 15/0837; G03G 15/0867;
 G03G 15/0868; G03G 15/0872; G03G
 15/0877; G03G 15/0898; G03G 15/50;
 G03G 15/5016; G03G 15/60; G03G
 15/65

See application file for complete search history.

(56) **References Cited**

U.S. PATENT DOCUMENTS

D362,623 S * 9/1995 Ma D9/443
 D419,069 S * 1/2000 Beck D9/443

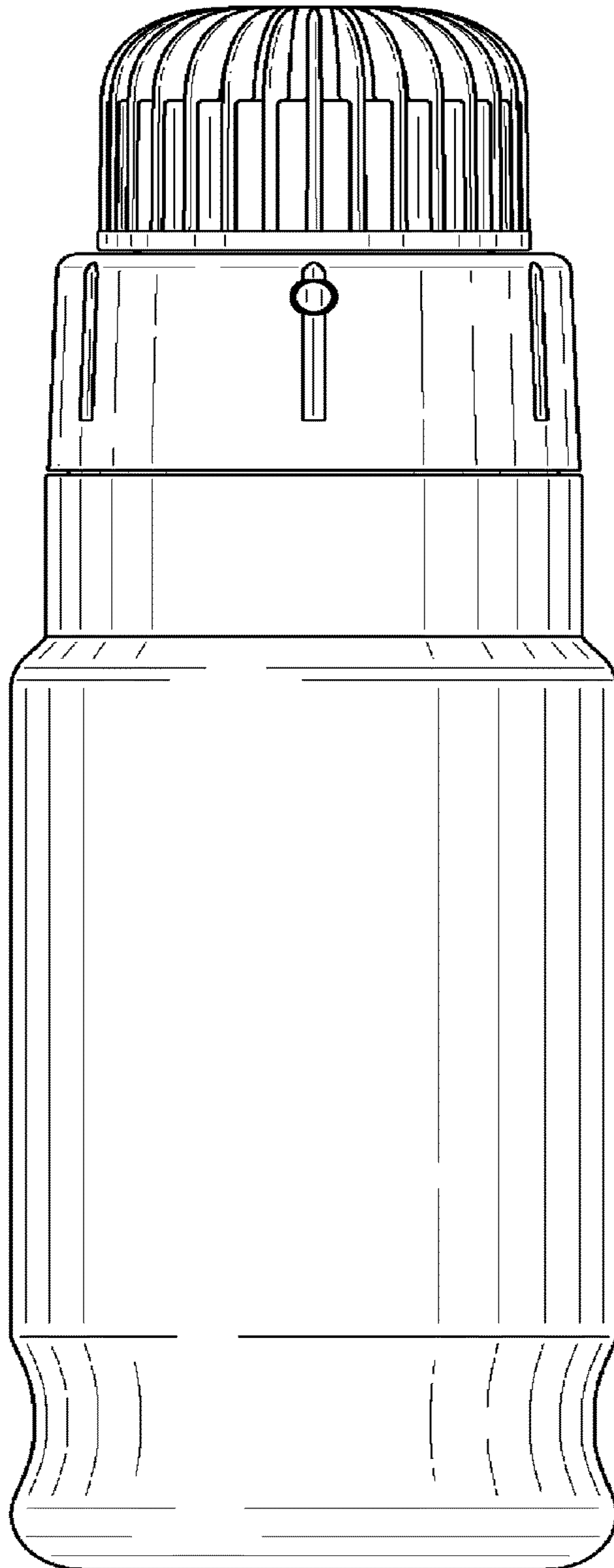
D443,512 S * 6/2001 Kishita D9/443
 D775,953 S * 1/2017 Ruthe-Steinsiek D9/453
 D786,966 S * 5/2017 Matsushita D18/56
 D816,158 S * 4/2018 Yoshii D18/56
 D838,171 S * 1/2019 Wood D9/453
 D865,521 S * 11/2019 Ishizawa D9/453
 D869,550 S * 12/2019 Yoshii D18/56
 10,618,292 B2 4/2020 Fukasawa et al.
 D906,415 S * 12/2020 Fukushima D18/43
 D908,496 S * 1/2021 Domnine D9/453
 2018/0250943 A1 9/2018 Fukasawa et al.

FOREIGN PATENT DOCUMENTS

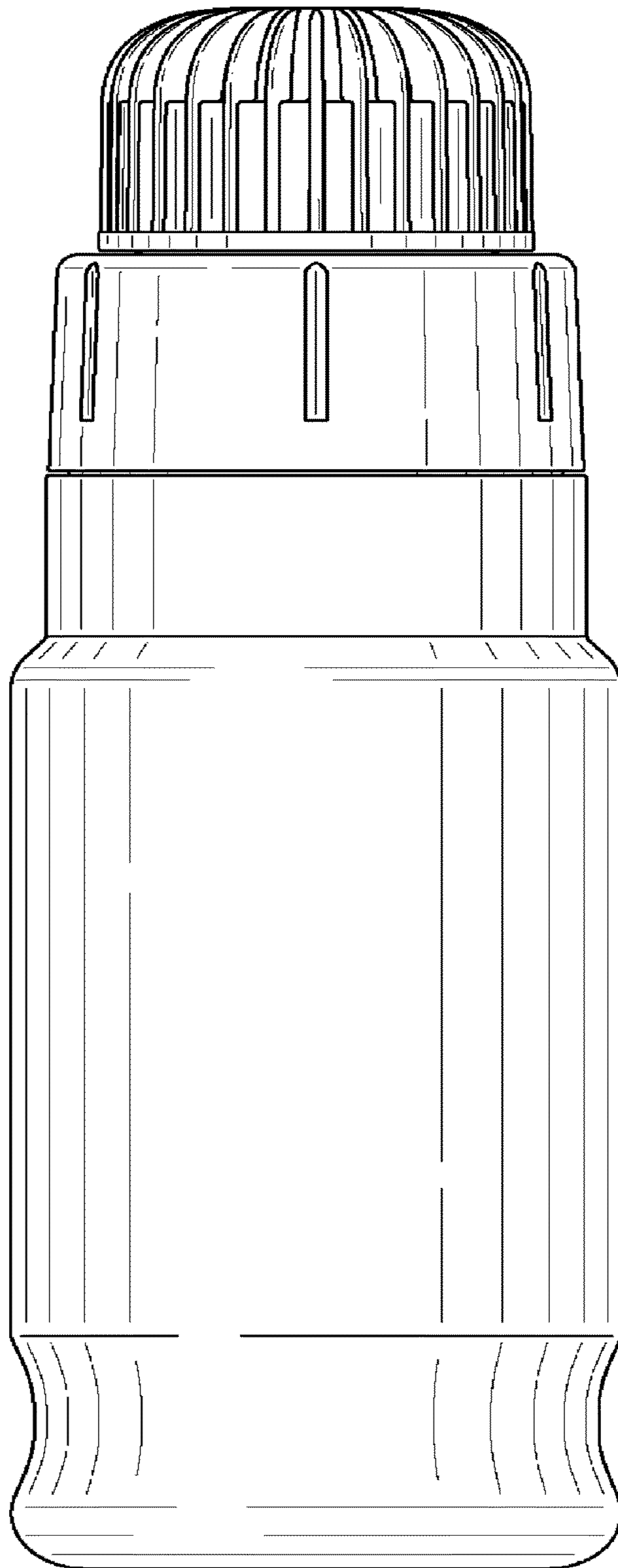
JP D1138089 S 4/2002
 JP D1138090 S 4/2002
 JP D1297057 S 3/2007
 JP D1445761 S 7/2012
 JP D1555159 S 8/2016
 JP D1555396 S 8/2016
 JP D1573851 S 3/2018
 JP D1603216 S 5/2018
 JP 2018144239 A 9/2018

* cited by examiner

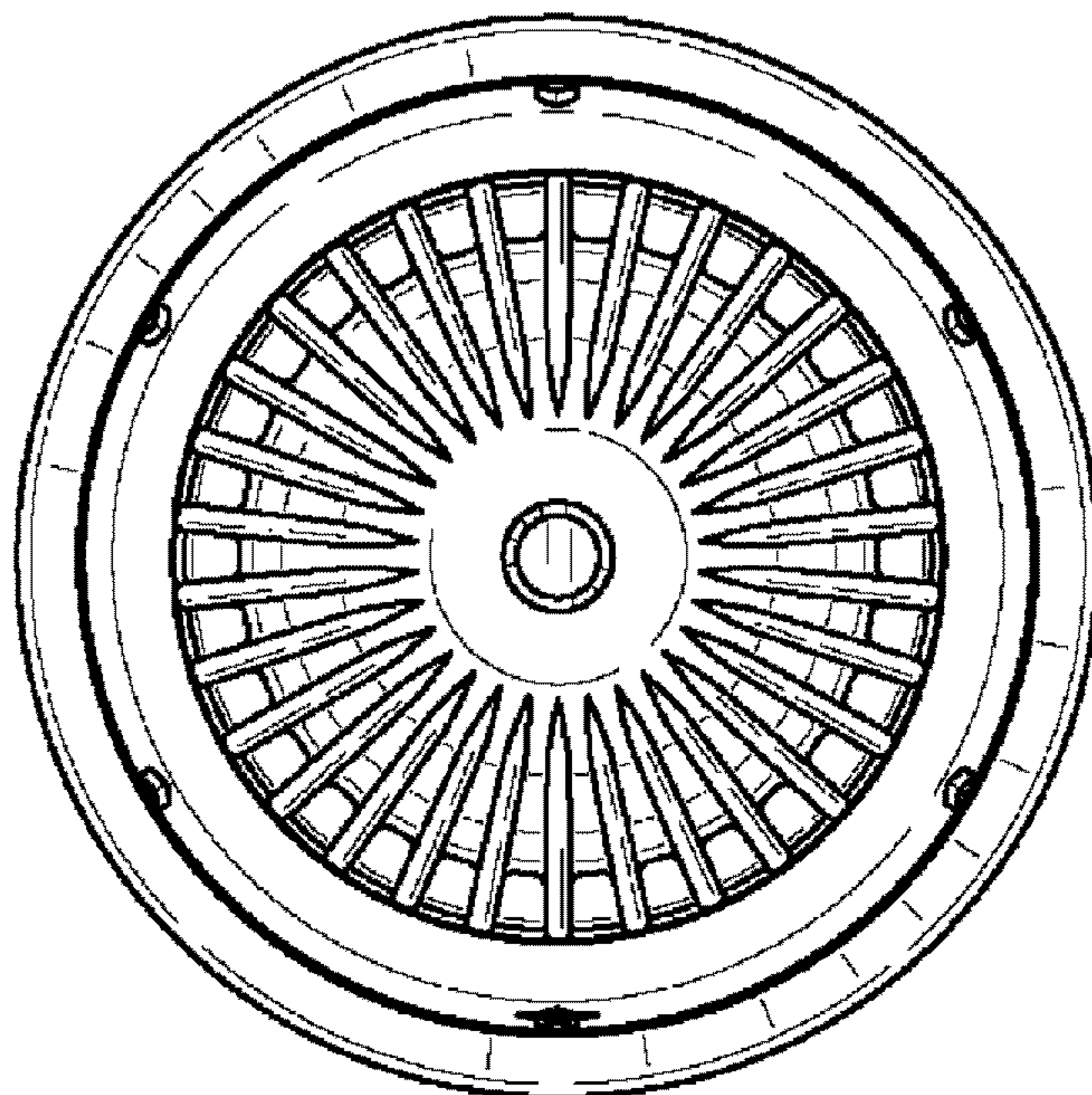
1.1



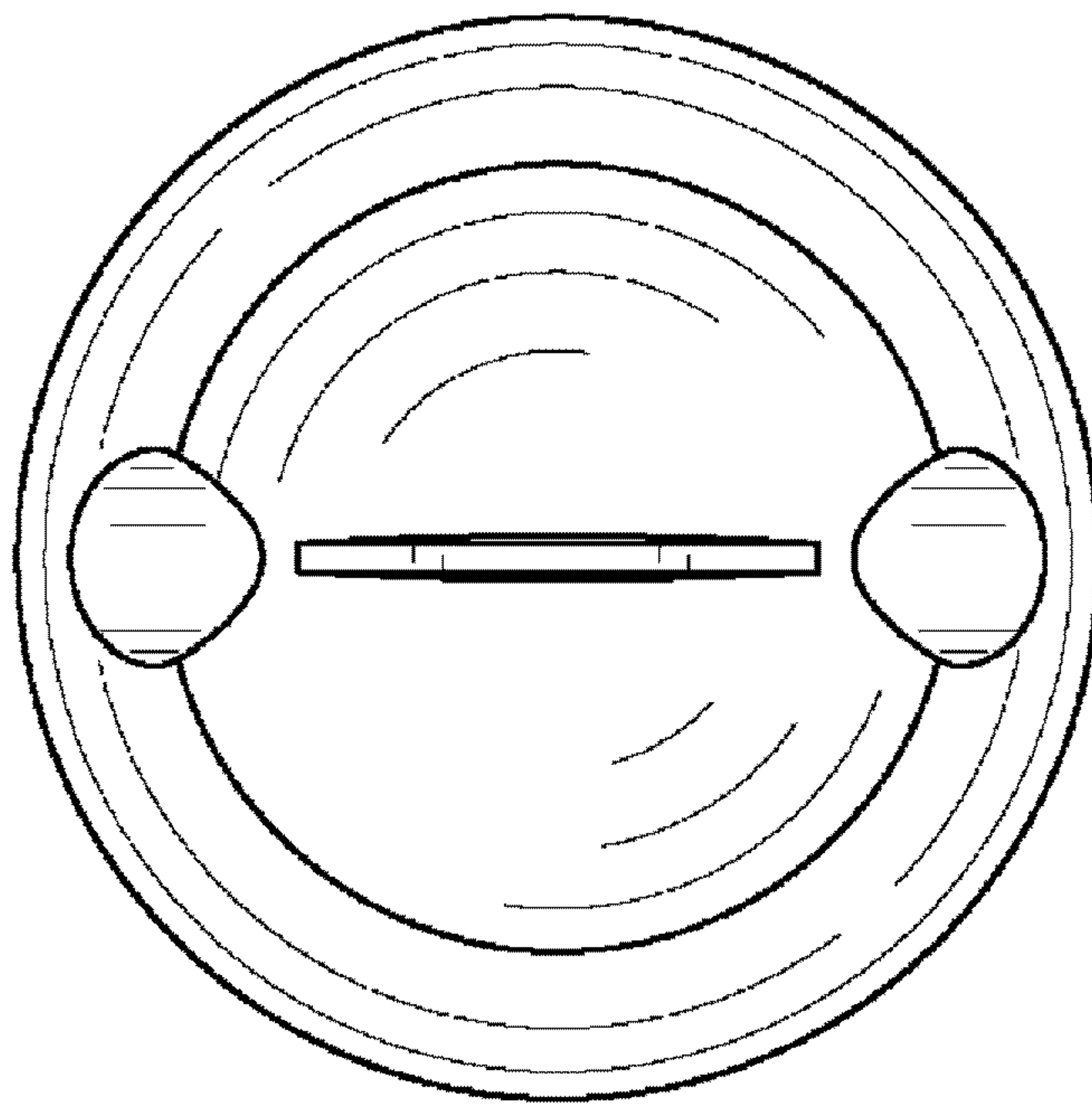
1.2



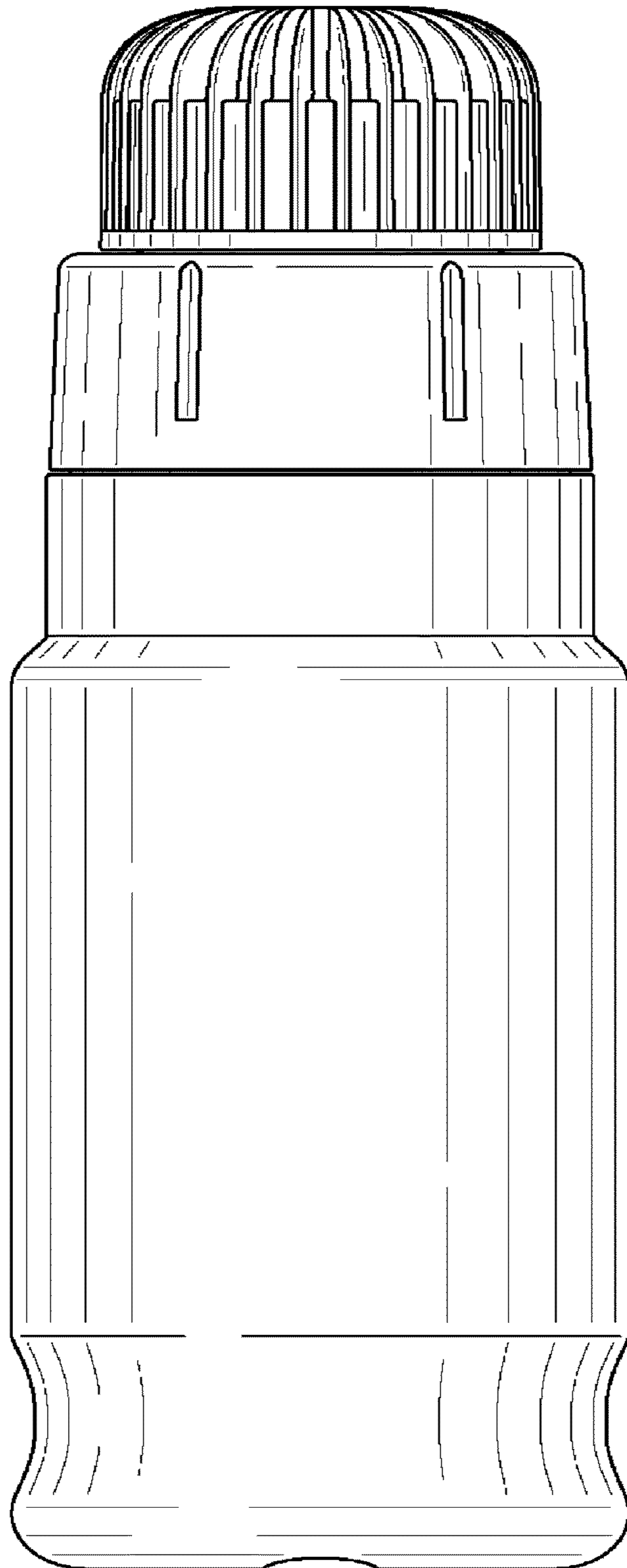
1.3



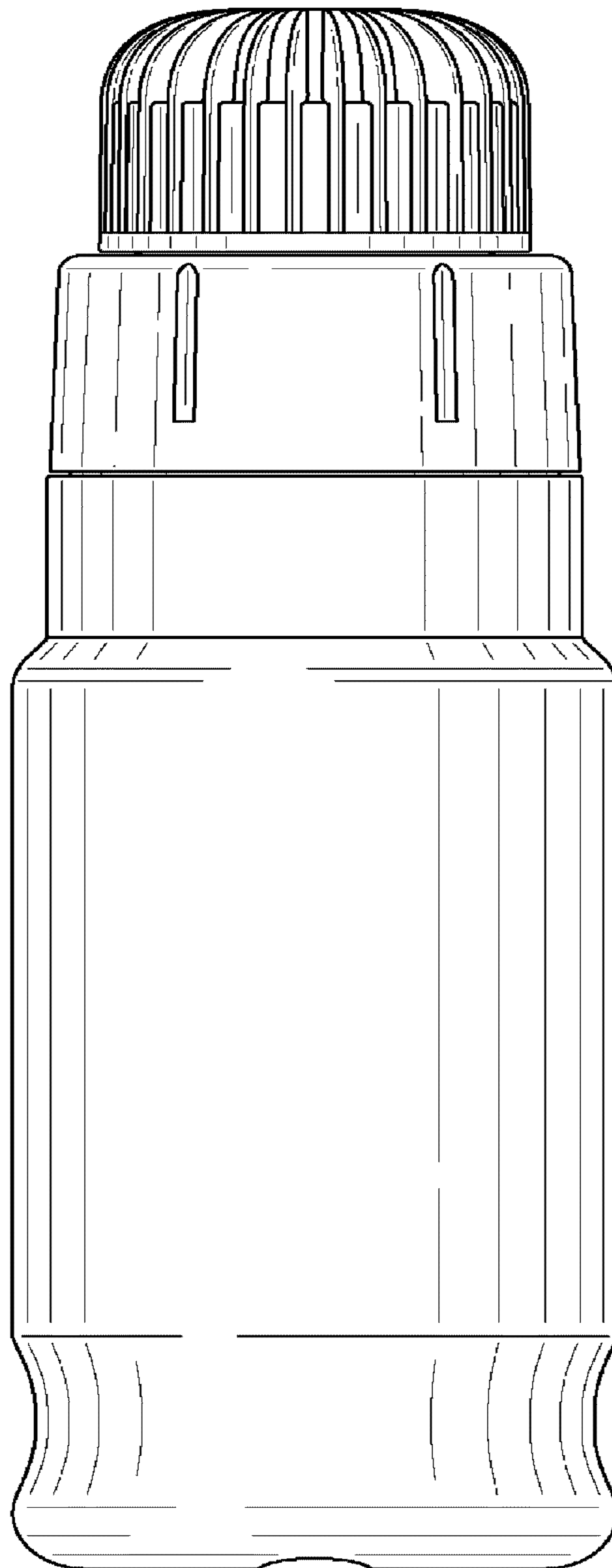
1.4



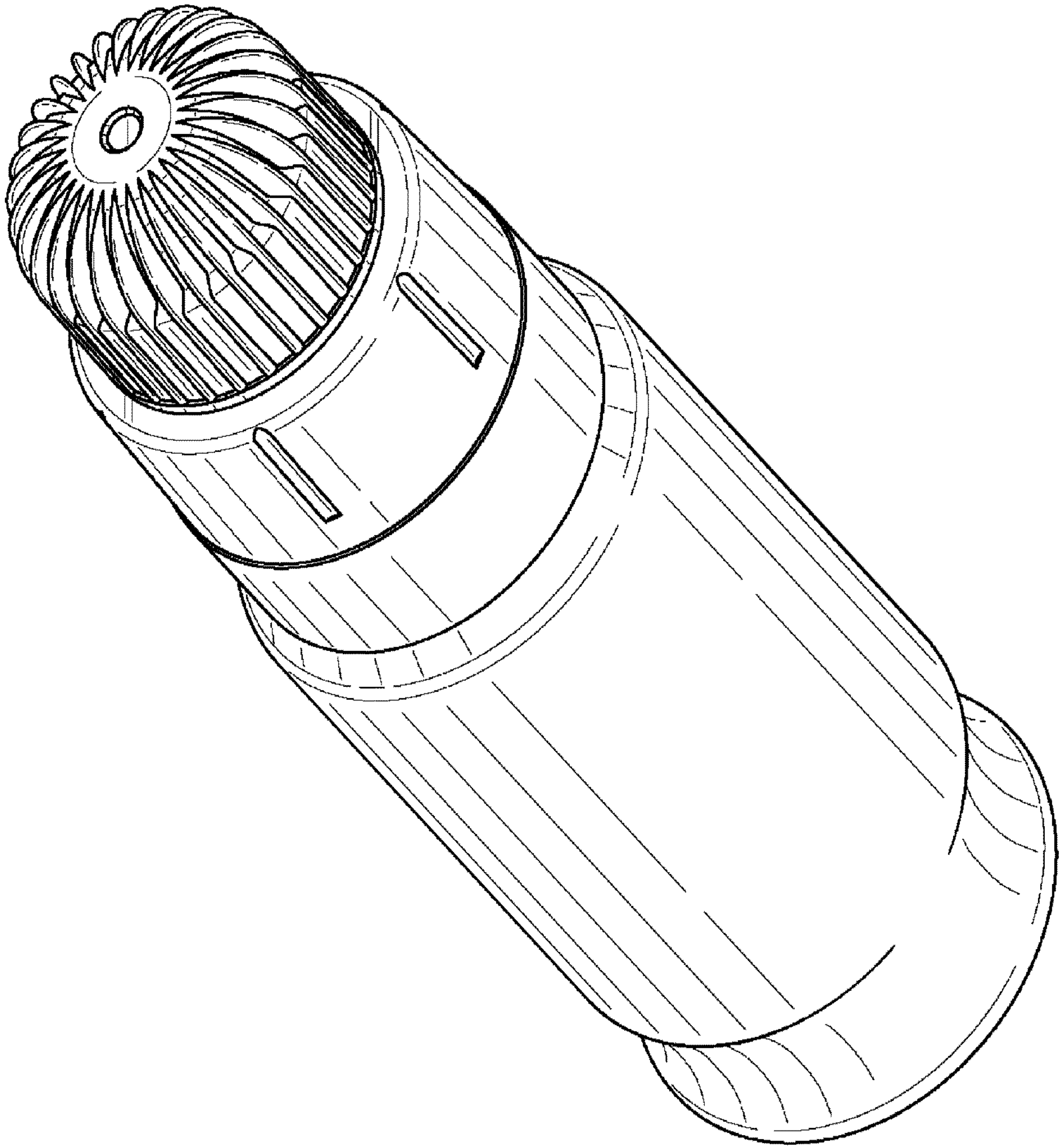
1.5



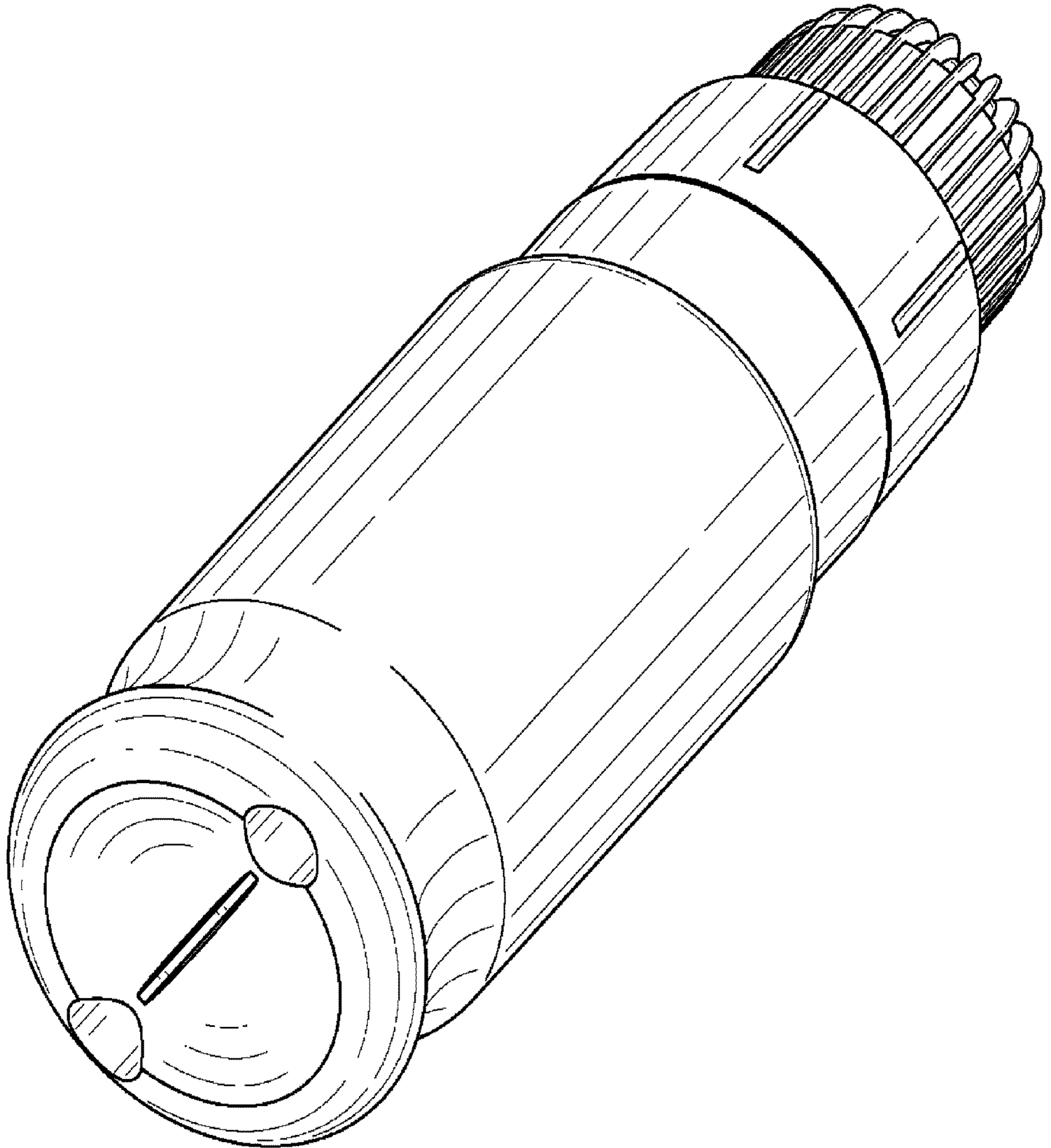
1.6



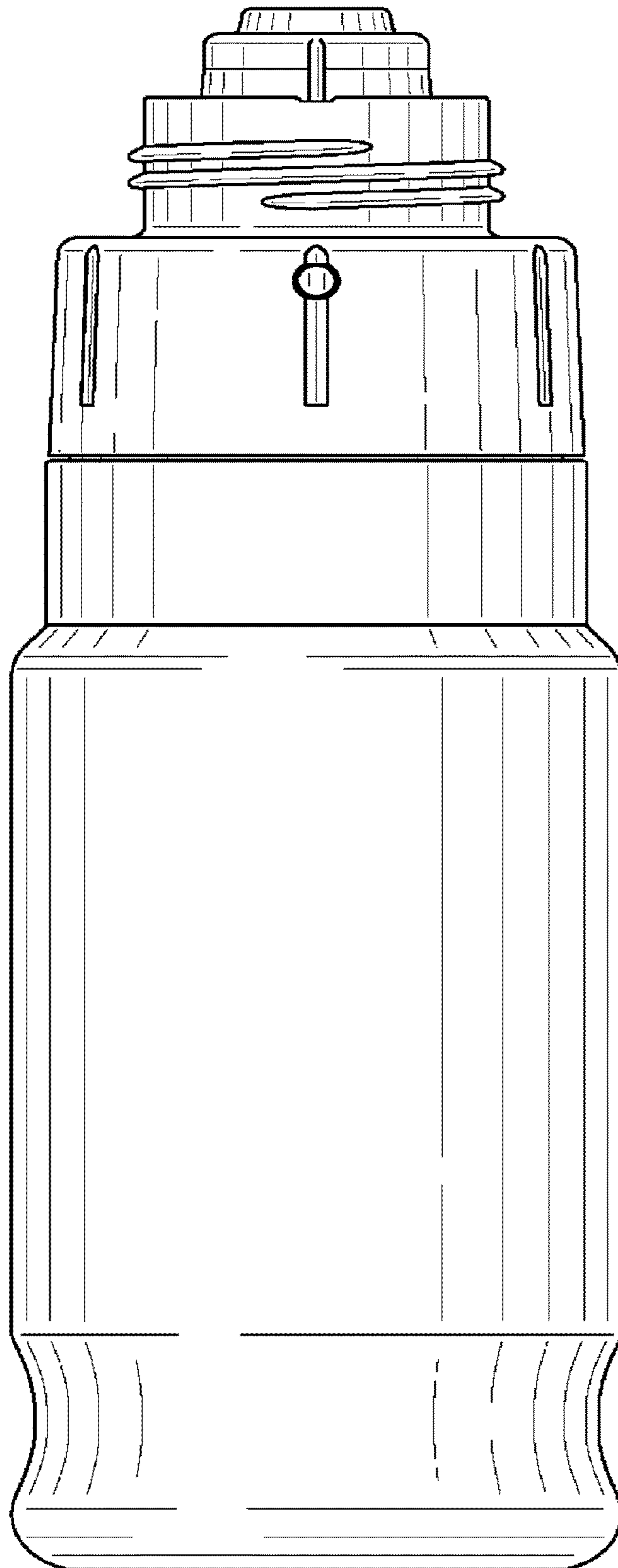
1.7



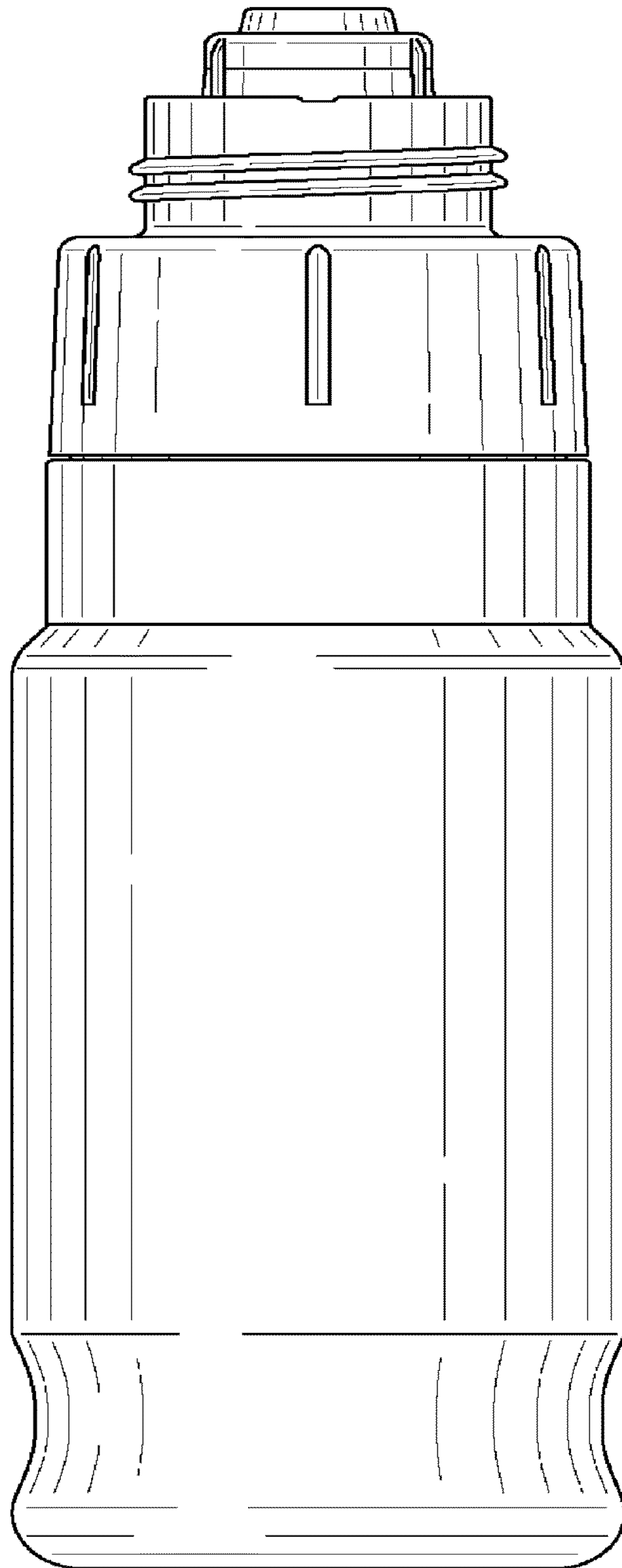
1.8



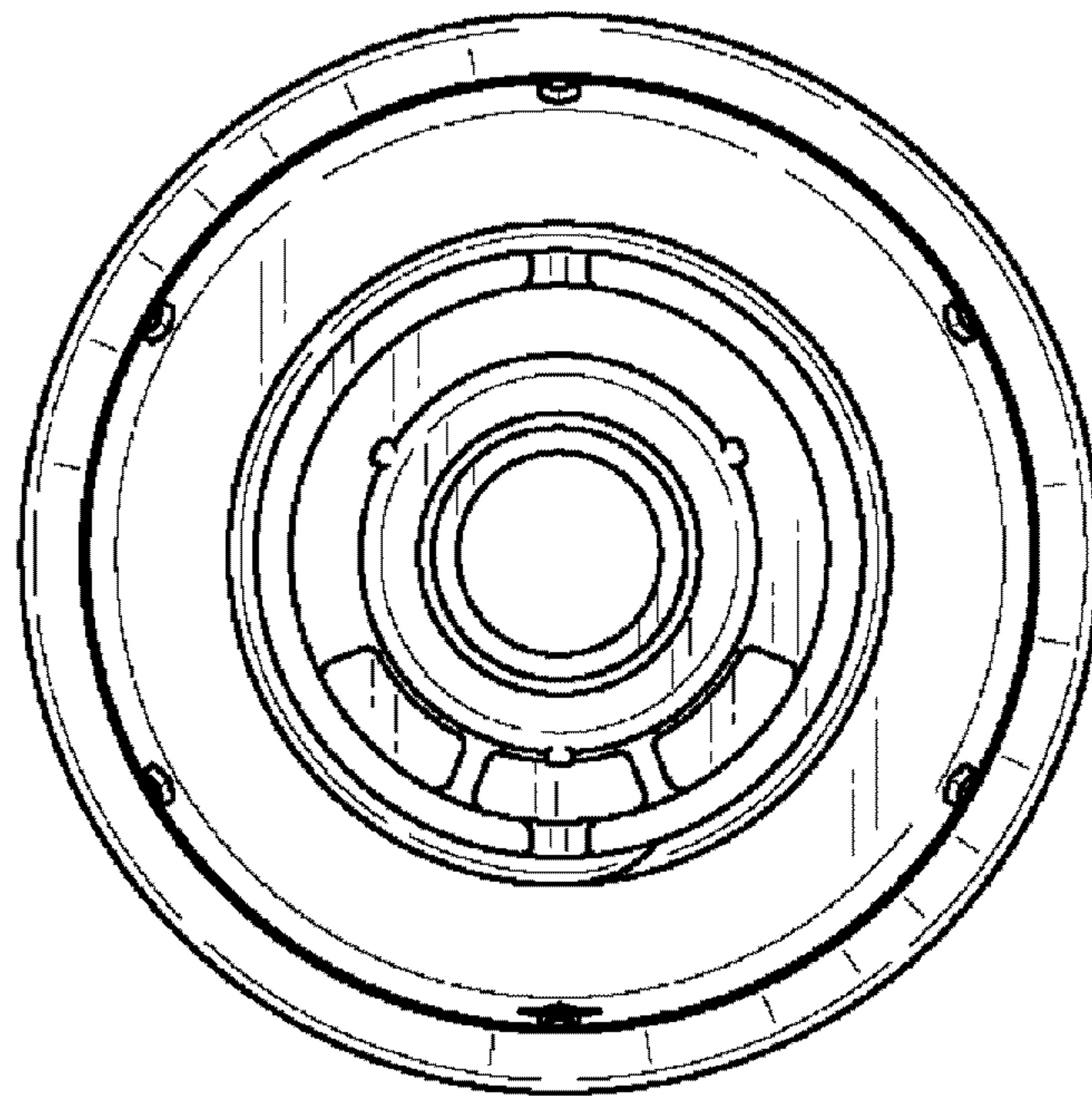
1.9



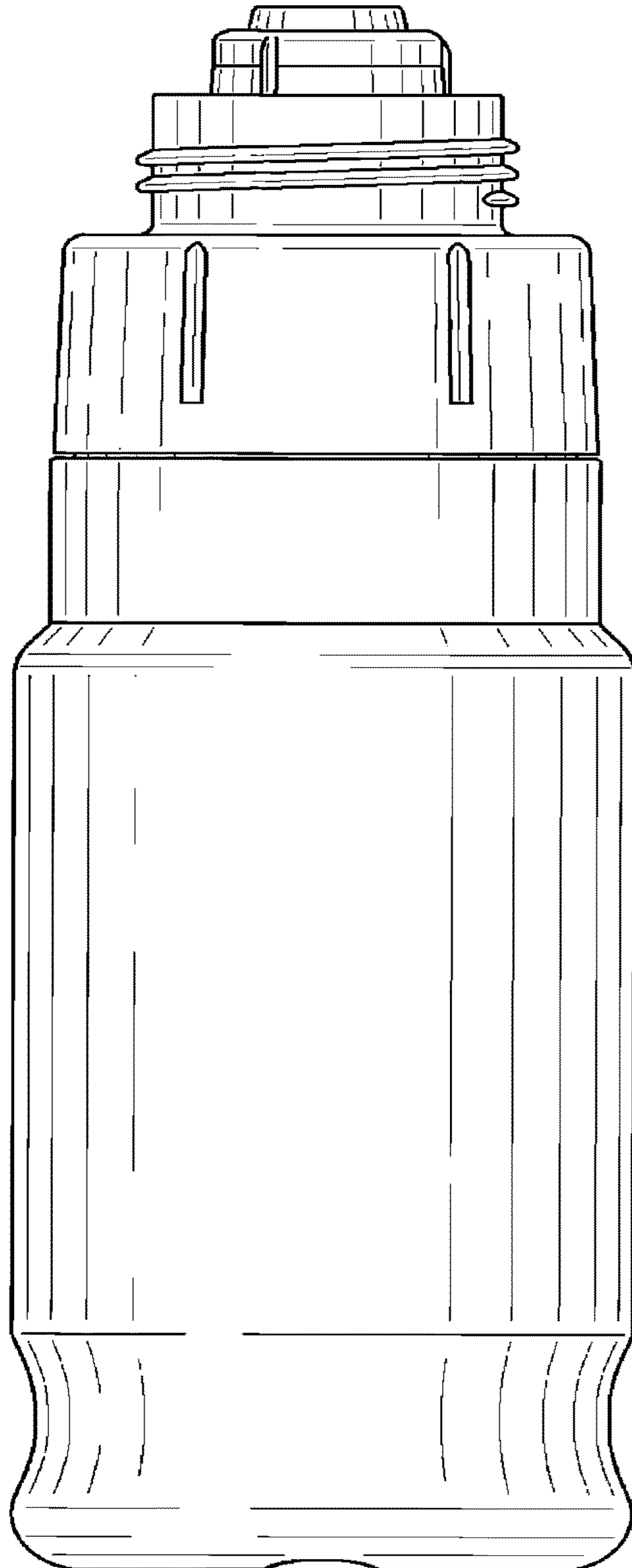
1.10



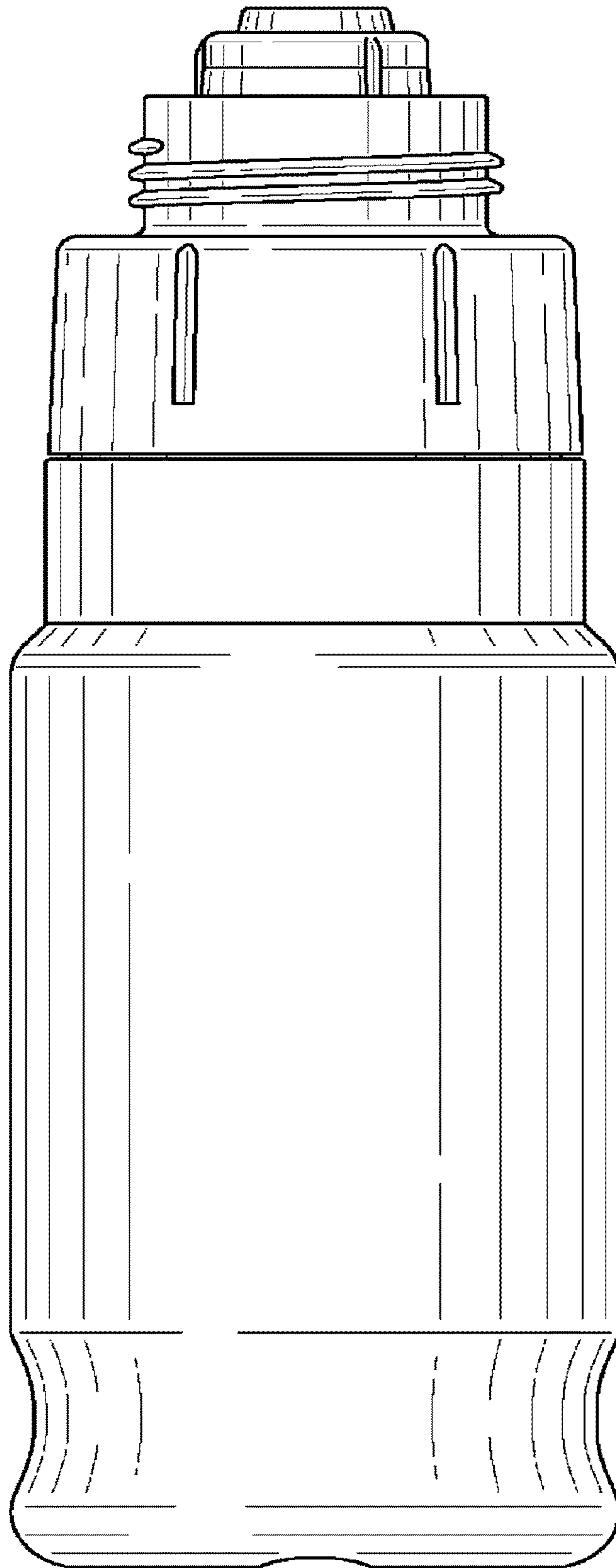
1.11



1.12



1.13



1.14

