



US00D925644S

(12) **United States Design Patent**  
**Liu**

(10) **Patent No.:** **US D925,644 S**

(45) **Date of Patent:** **\*\* Jul. 20, 2021**

- (54) **GIMBAL CAMERA**
- (71) Applicant: **AUTEL ROBOTICS CO., LTD.**,  
Guangdong (CN)
- (72) Inventor: **Zhengwen Liu**, Guangdong (CN)
- (73) Assignee: **AUTEL ROBOTICS CO., LTD.**,  
Shenzhen (CN)

(\*\*) Term: **15 Years**

(21) Appl. No.: **29/720,222**

(22) Filed: **Jan. 10, 2020**

(51) **LOC (13) Cl.** ..... **16-01**

(52) **U.S. Cl.**  
USPC ..... **D16/218**

(58) **Field of Classification Search**  
USPC ..... D12/16.1; D14/124, 125, 126, 129, 133,  
D14/314, 317, 336, 348–351, 356, 420;  
D16/131, 135, 136, 200, 201, 202, 203,  
D16/205–221, 225, 232, 235, 241;  
348/373–376; 396/535, 539–541  
CPC ..... G03B 15/03; G03B 17/02; G03B 17/04;  
G03B 17/56; G03B 19/04; H04N  
5/2251–2254; H04N 2101/00  
See application file for complete search history.

(56) **References Cited**

**U.S. PATENT DOCUMENTS**

- D754,242 S \* 4/2016 Wang ..... D16/242
- D771,733 S \* 11/2016 Wang ..... D16/242

- D790,000 S \* 6/2017 Wang ..... D16/200
- D791,217 S \* 7/2017 Wang ..... D16/242
- D813,924 S \* 3/2018 Zheng ..... D16/203
- D816,150 S \* 4/2018 Liao ..... D16/242
- D854,069 S \* 7/2019 Wang ..... D16/202
- D874,531 S \* 2/2020 Chen ..... D16/202
- D884,060 S \* 5/2020 Kim ..... D16/242
- D891,503 S \* 7/2020 Wang ..... D16/218
- D904,490 S \* 12/2020 Mao ..... D16/218

\* cited by examiner

*Primary Examiner* — Ramzi S Almatrahi

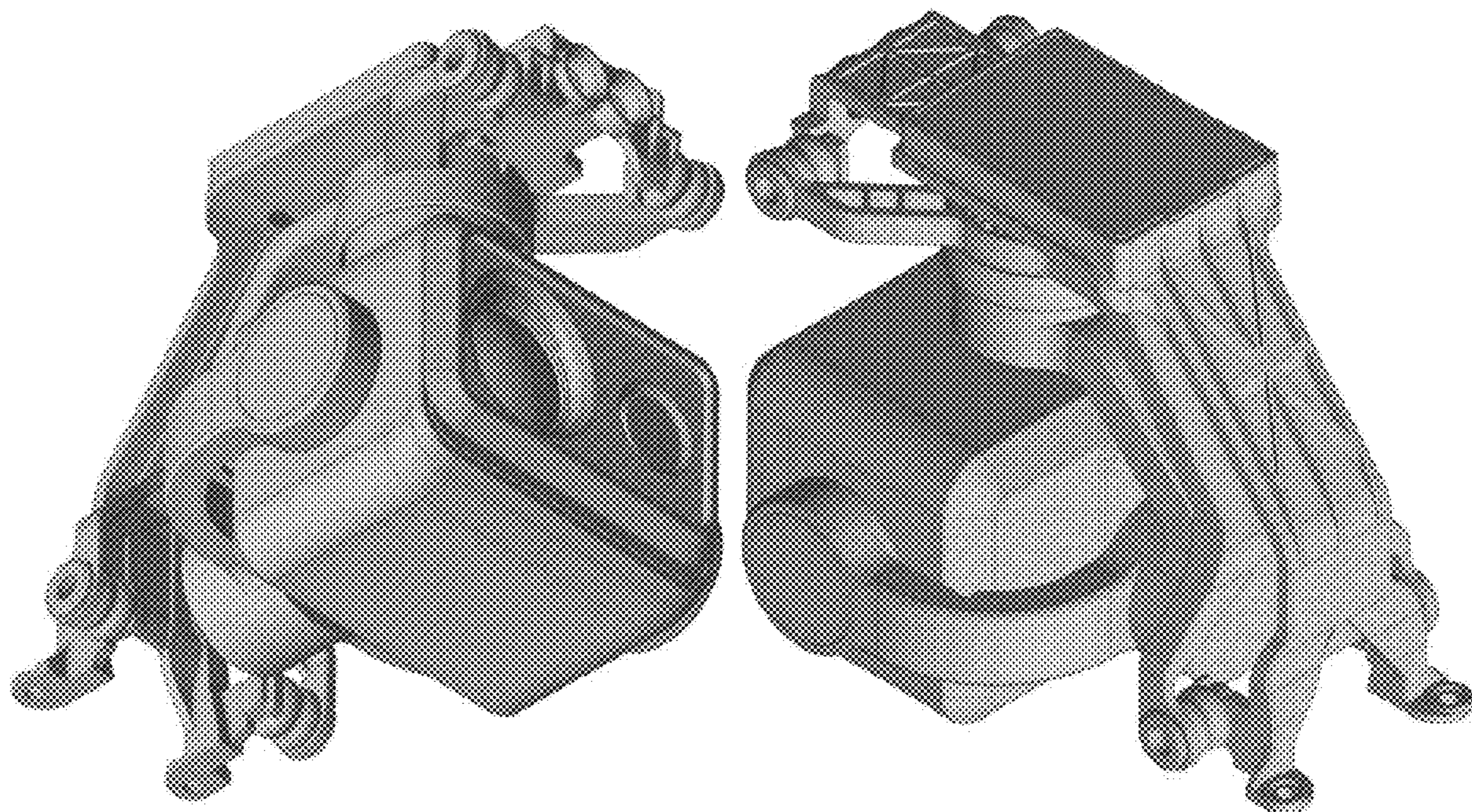
(57) **CLAIM**

The ornamental design for a gimbal camera, as shown and described.

**DESCRIPTION**

FIG. 1 is a front elevational view of a gimbal camera showing my new design;  
 FIG. 2 is a back elevational view thereof;  
 FIG. 3 is a left side elevational view thereof;  
 FIG. 4 is a right side elevational view thereof;  
 FIG. 5 is a top plan view thereof;  
 FIG. 6 is a bottom plan view thereof;  
 FIG. 7 is a bottom, front and left side perspective view thereof; and,  
 FIG. 8 is a top, back and right side perspective view thereof.

**1 Claim, 8 Drawing Sheets**



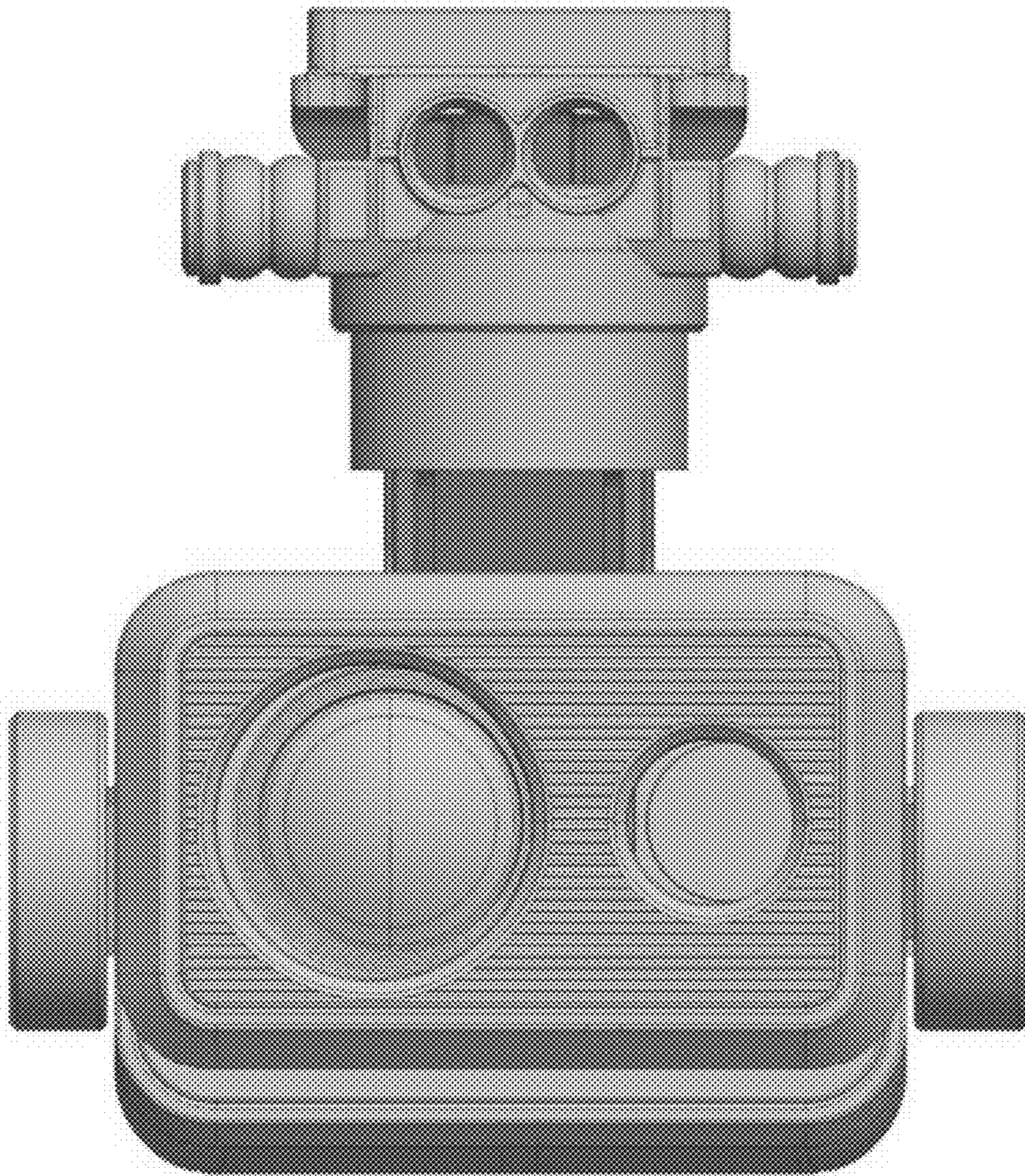


FIG.1

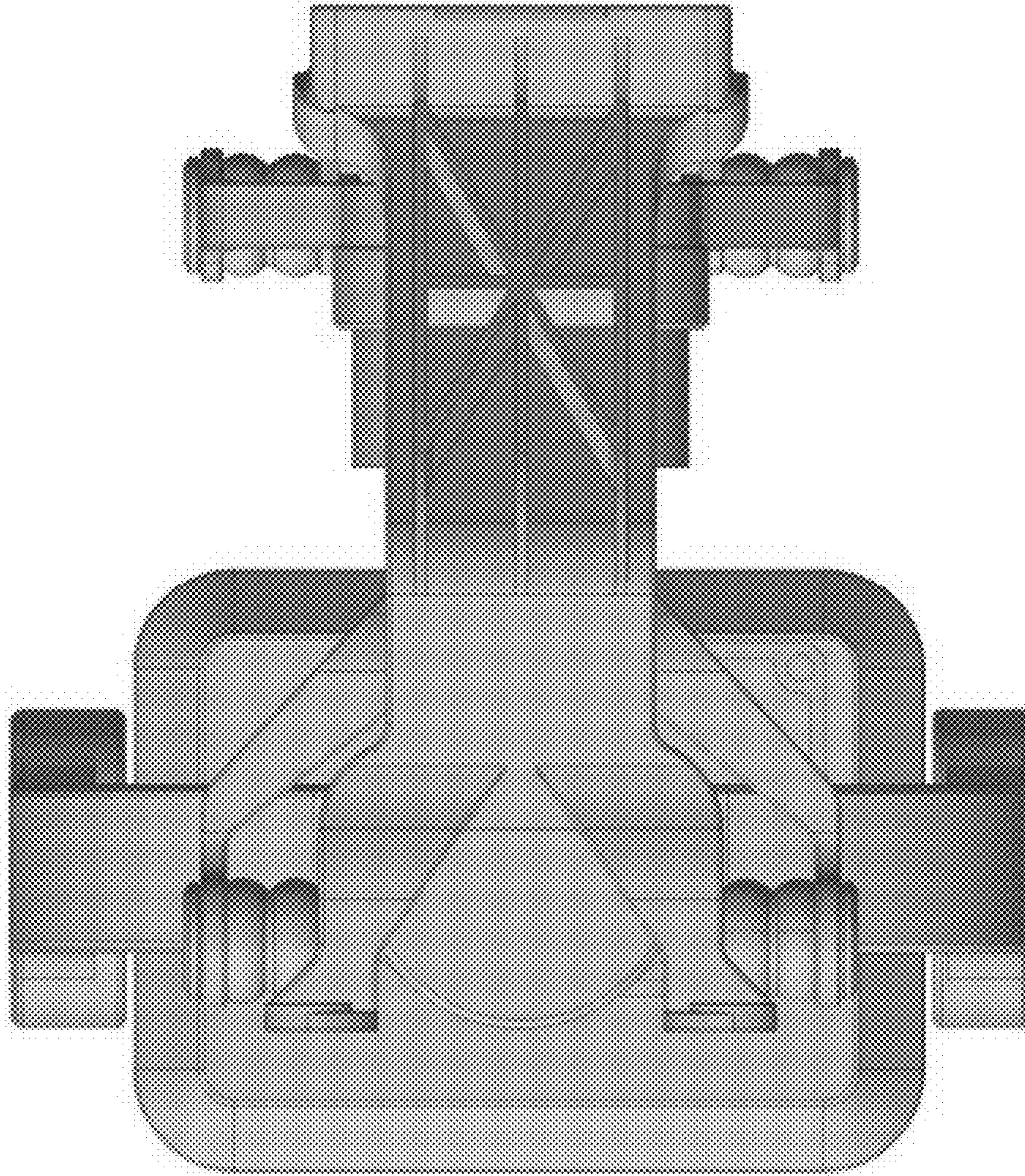


FIG.2

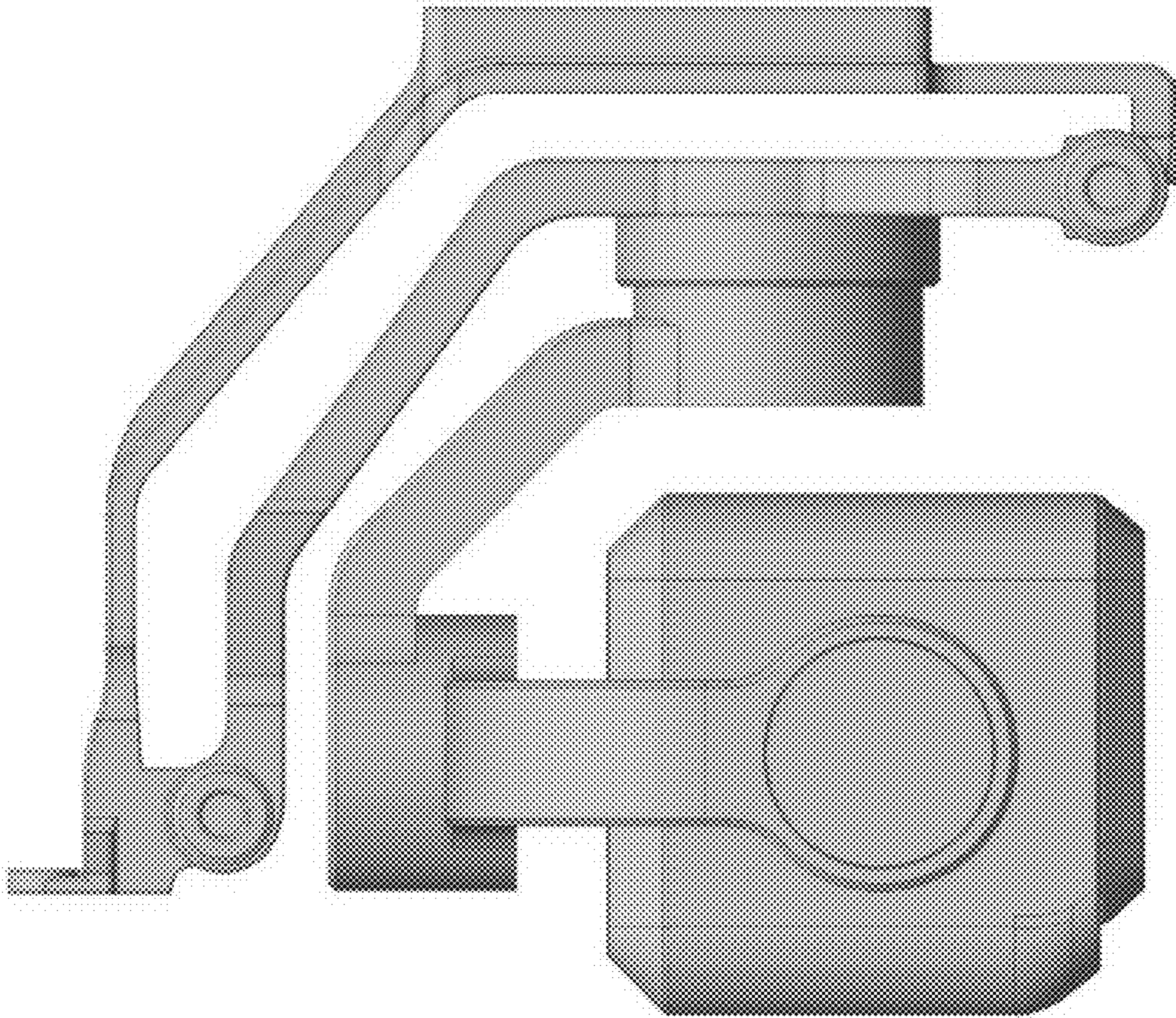


FIG.3

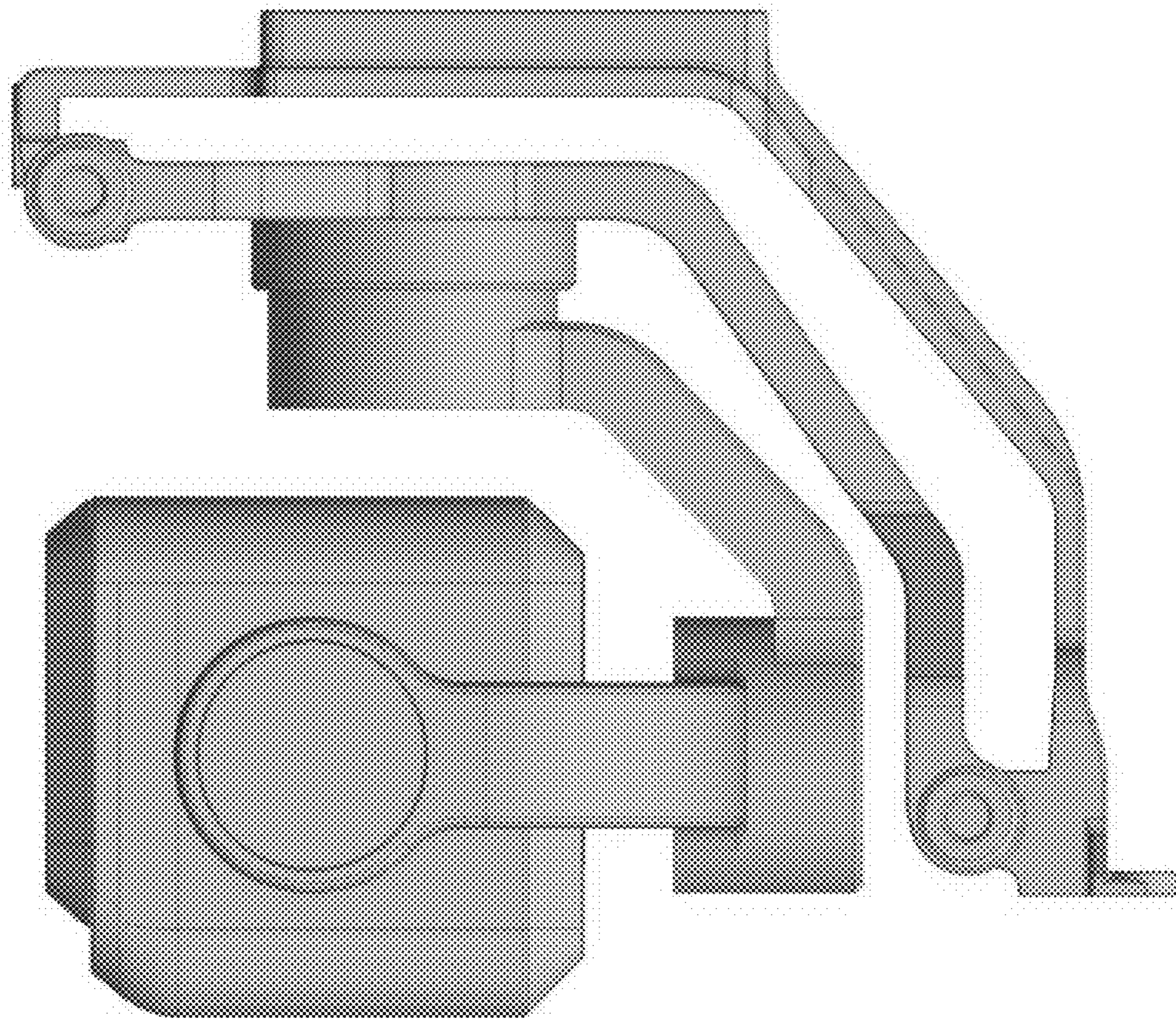


FIG.4

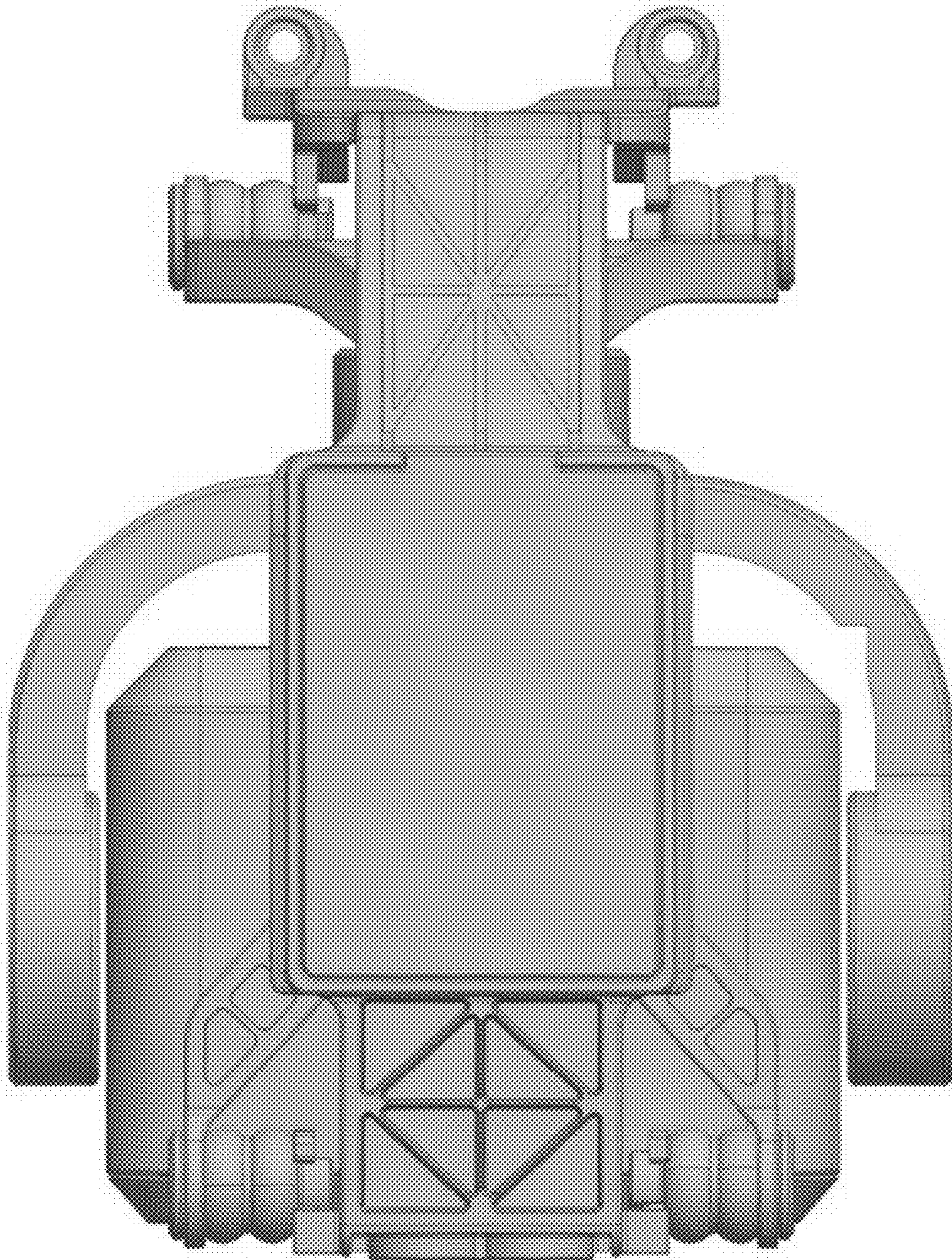


FIG.5

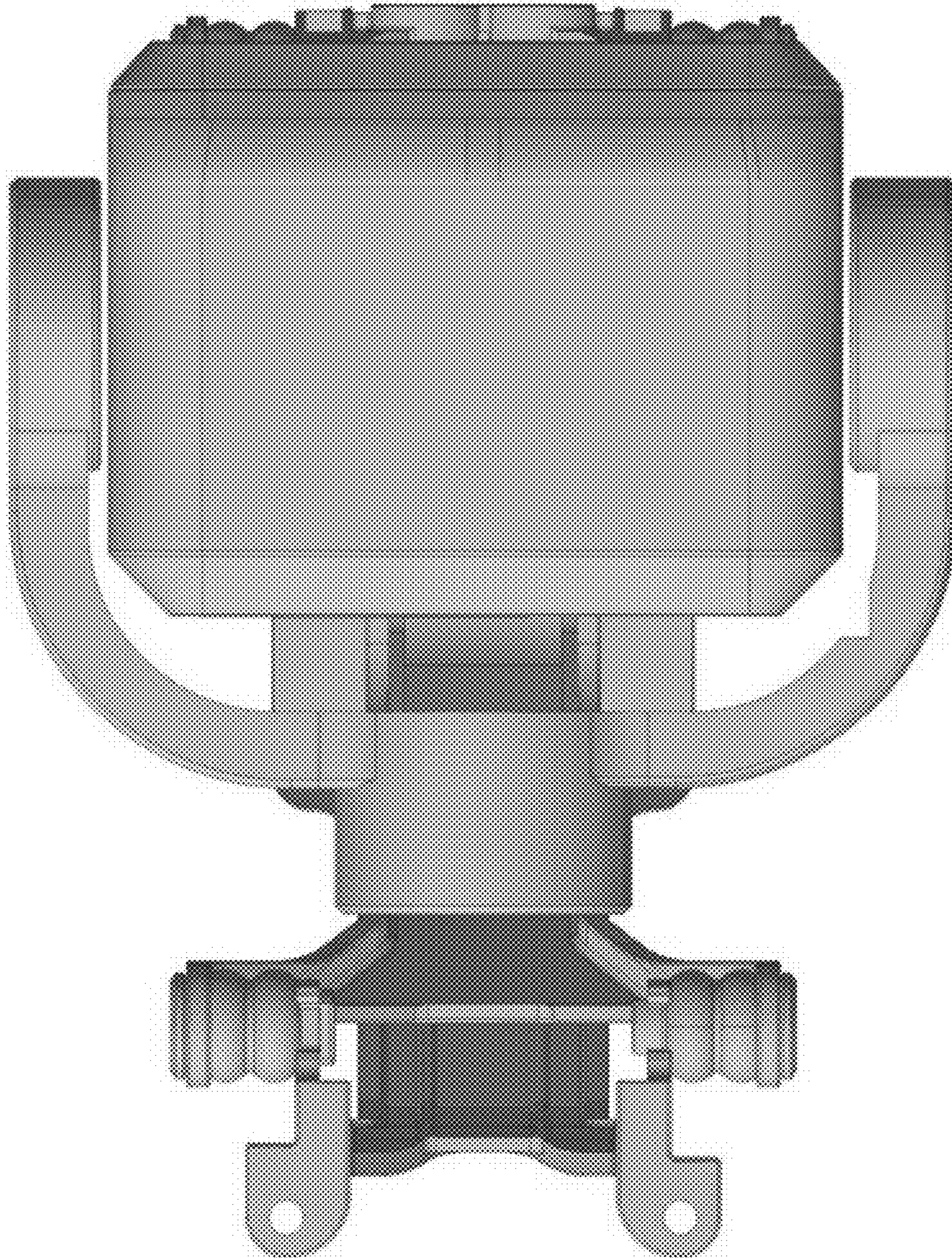


FIG.6

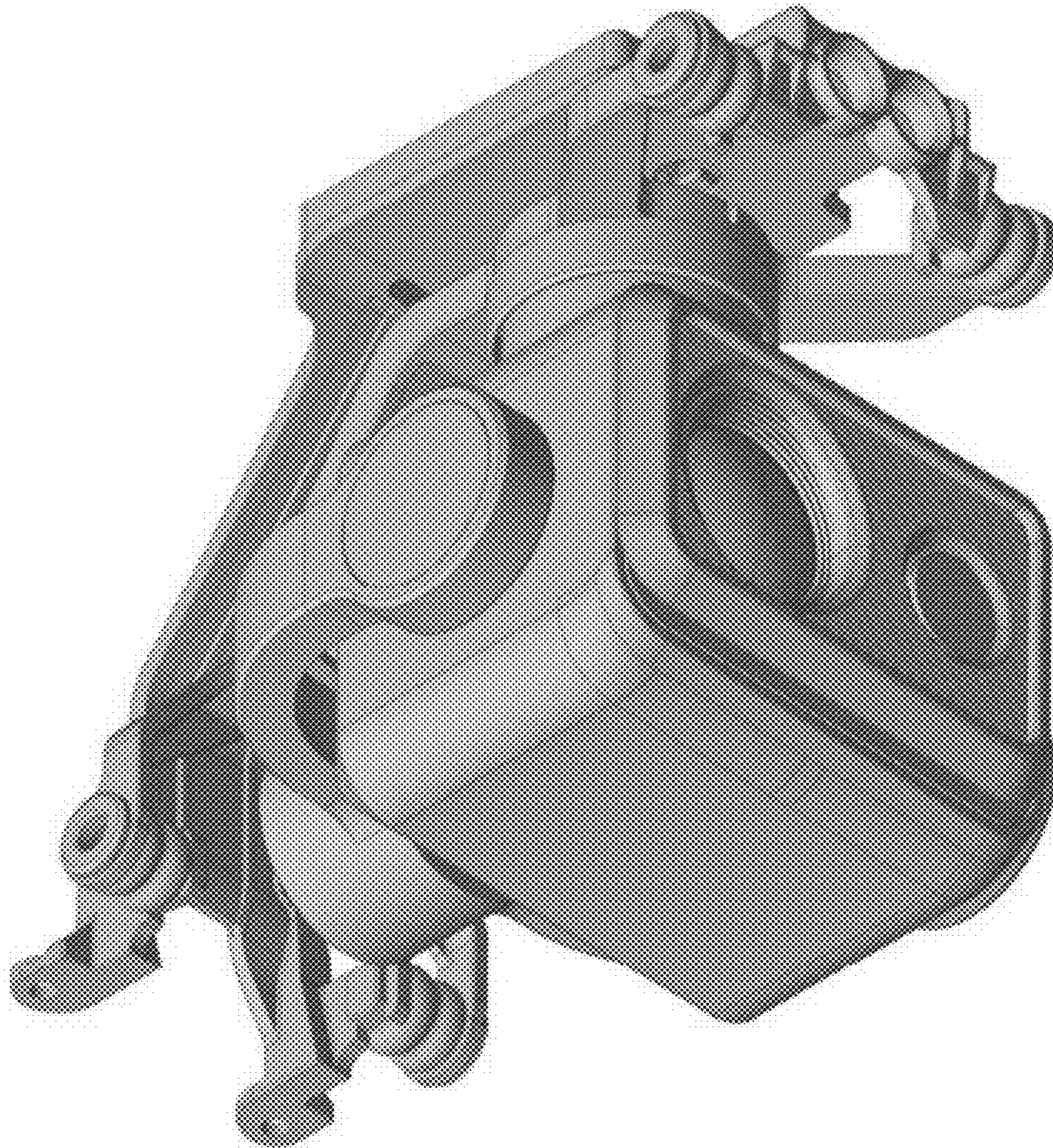


FIG. 7



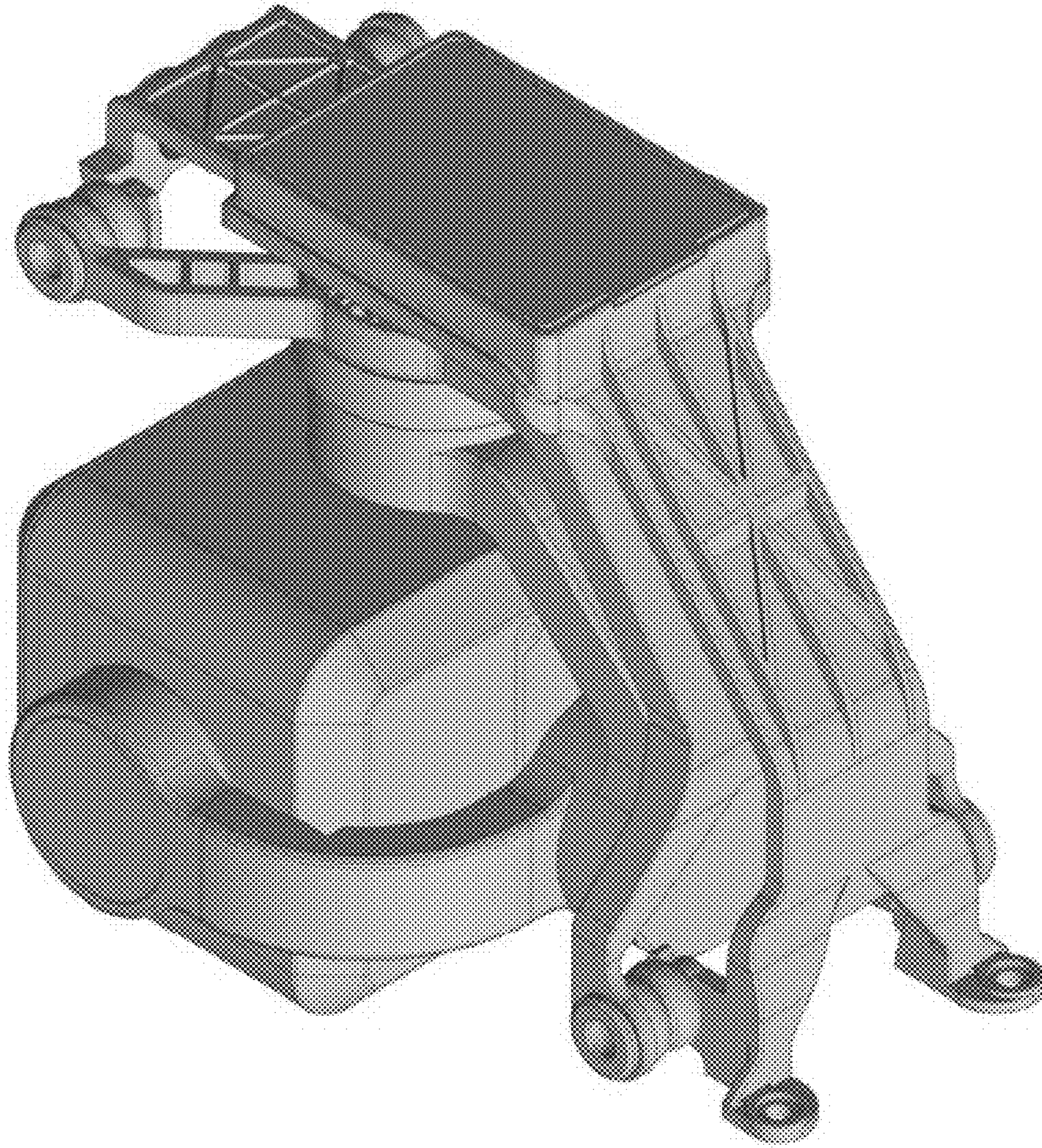


FIG.8