



US00D925643S

(12) **United States Design Patent**  
**Hsu**

(10) **Patent No.:** **US D925,643 S**  
(45) **Date of Patent:** **\*\* Jul. 20, 2021**

(54) **DASHBOARD CAMERA**

(71) Applicant: **Cansonic Inc.**, New Taipei (TW)

(72) Inventor: **Chao-Chih Hsu**, New Taipei (TW)

(73) Assignee: **Cansonic Inc.**, New Taipei (TW)

(\*\*) Term: **15 Years**

(21) Appl. No.: **29/710,248**

(22) Filed: **Oct. 22, 2019**

(51) **LOC (13) Cl.** ..... **16-01**

(52) **U.S. Cl.**

USPC ..... **D16/218**; D16/208

(58) **Field of Classification Search**

USPC ..... D16/200–208, 210, 214, 218, 219, 242;  
D10/65, 70, 74, 106.6; 348/373–376;  
358/906; 396/419, 427, 428, 535,  
396/539–541

CPC ..... G03B 15/03; G03B 17/02; G03B 17/04;  
G03B 17/56; G03B 19/04; H04N 5/2251;  
H04N 5/2252; H04N 5/2253; H04N  
5/2254; H04N 2101/00

See application file for complete search history.

(56) **References Cited**

**U.S. PATENT DOCUMENTS**

D747,386 S	*	1/2016	Li	.....	D16/208
D782,560 S	*	3/2017	Li	.....	D16/218
D822,748 S	*	7/2018	Van Deusen	.....	D16/218
D854,597 S	*	7/2019	Gao	.....	D16/202
D870,183 S	*	12/2019	Tsukamoto	.....	D16/218

D878,448 S	*	3/2020	Kapuria	.....	D16/208
D884,054 S	*	5/2020	Mihara	.....	D16/208
D884,055 S	*	5/2020	Jeong	.....	D16/208
D887,475 S	*	6/2020	Hsu	.....	D16/208
D888,801 S	*	6/2020	Hsu	.....	D16/208
D907,100 S	*	1/2021	Larsen	.....	D16/218
D908,766 S	*	1/2021	He	.....	D16/208
D909,450 S	*	2/2021	Grant	.....	D16/208

\* cited by examiner

*Primary Examiner* — Ramzi Almatrahi

(74) *Attorney, Agent, or Firm* — Alan D. Kamrath; Karin L. Williams; Mayer & Williams PC

(57) **CLAIM**

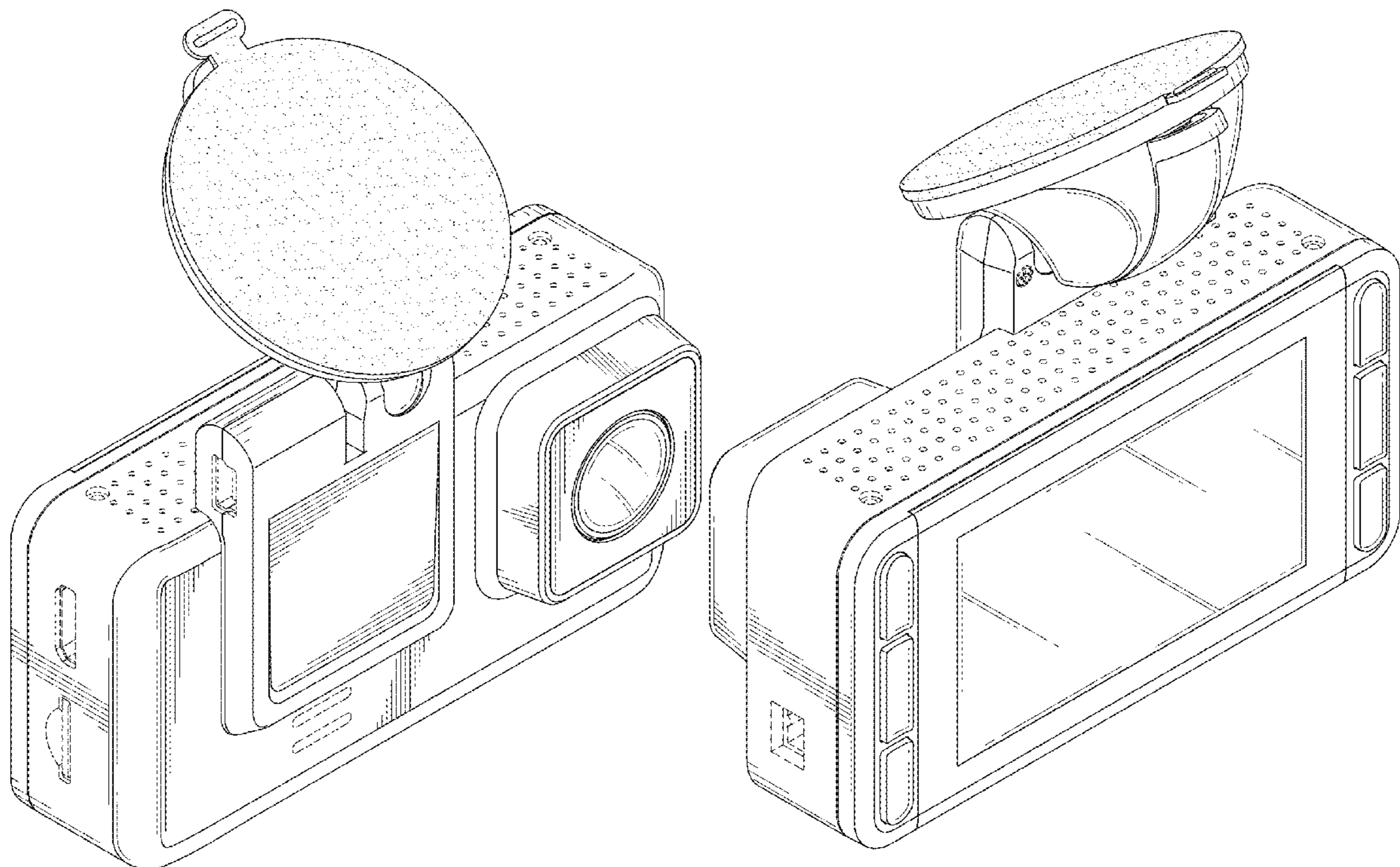
The ornamental design for a dashboard camera, as shown and described.

**DESCRIPTION**

FIG. 1 is a front perspective view of a dashboard camera showing my new design;  
FIG. 2 is a rear perspective view thereof;  
FIG. 3 is a front elevation view thereof;  
FIG. 4 is a rear elevation view thereof;  
FIG. 5 is a left side elevation view thereof;  
FIG. 6 is a right side elevation view thereof;  
FIG. 7 is a top plan view thereof; and,  
FIG. 8 is a bottom plan view thereof.

The broken lines depict portions of the dashboard camera in which the design is embodied that form no part of the claimed design.

**1 Claim, 8 Drawing Sheets**



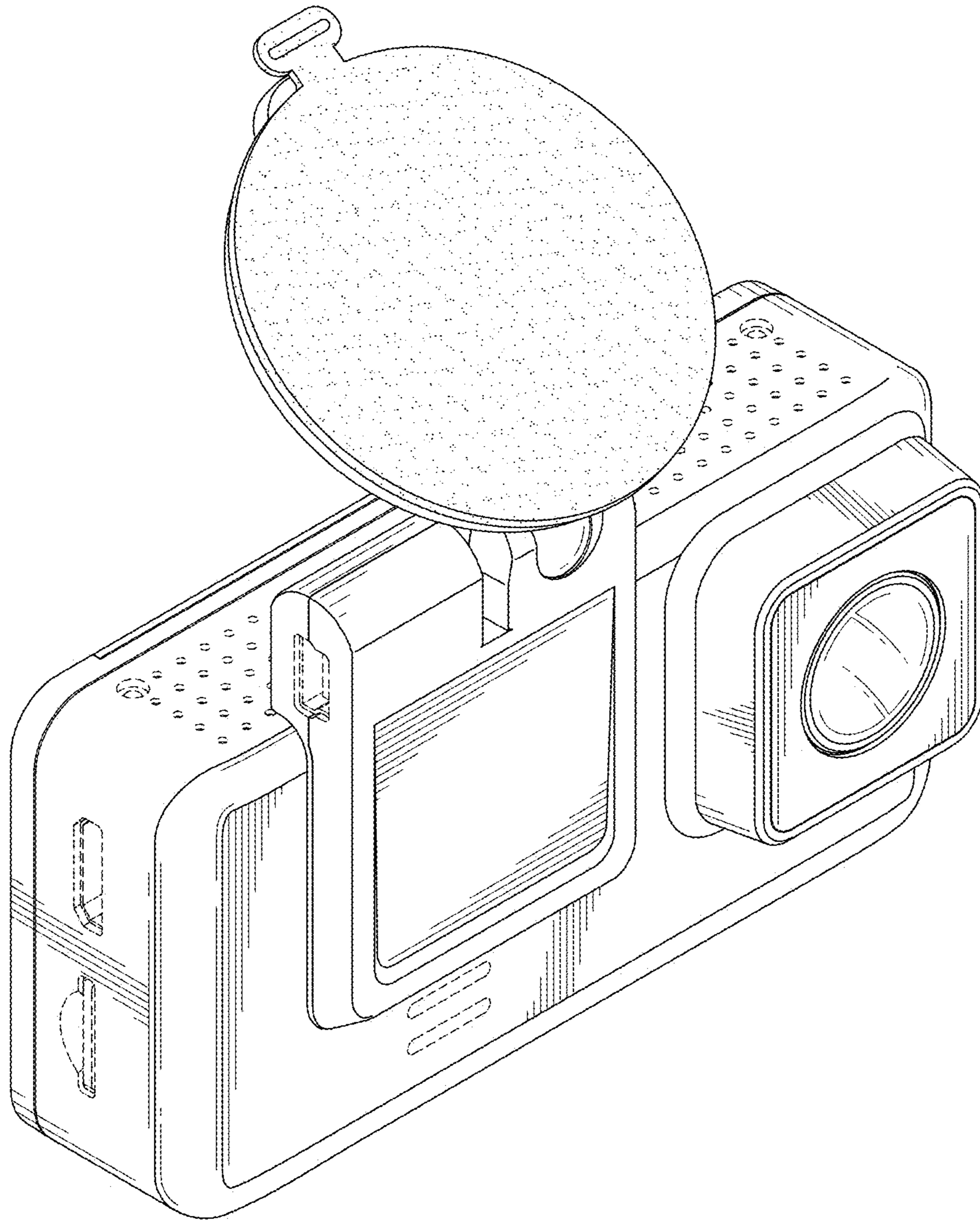


FIG. 1

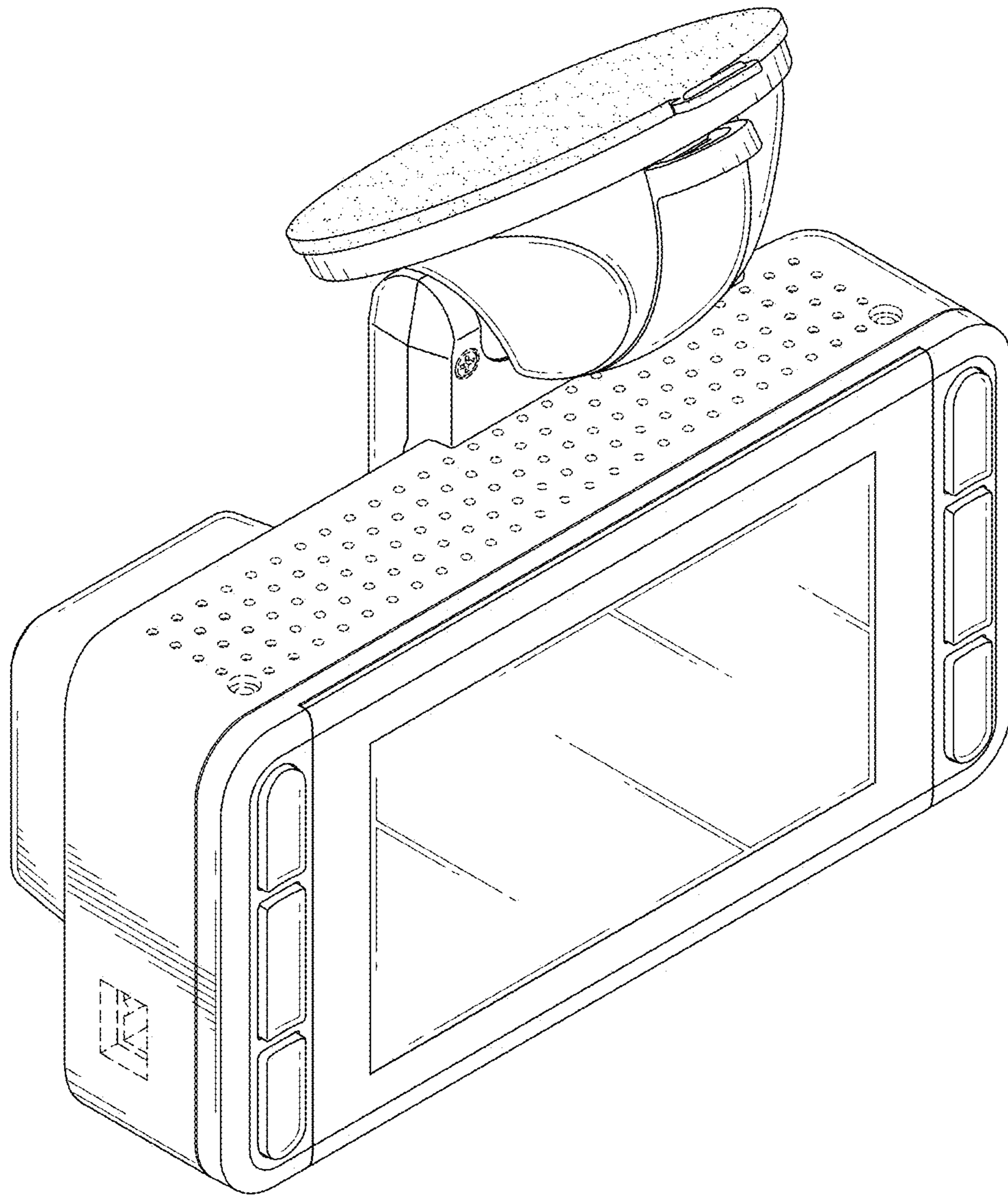


FIG. 2

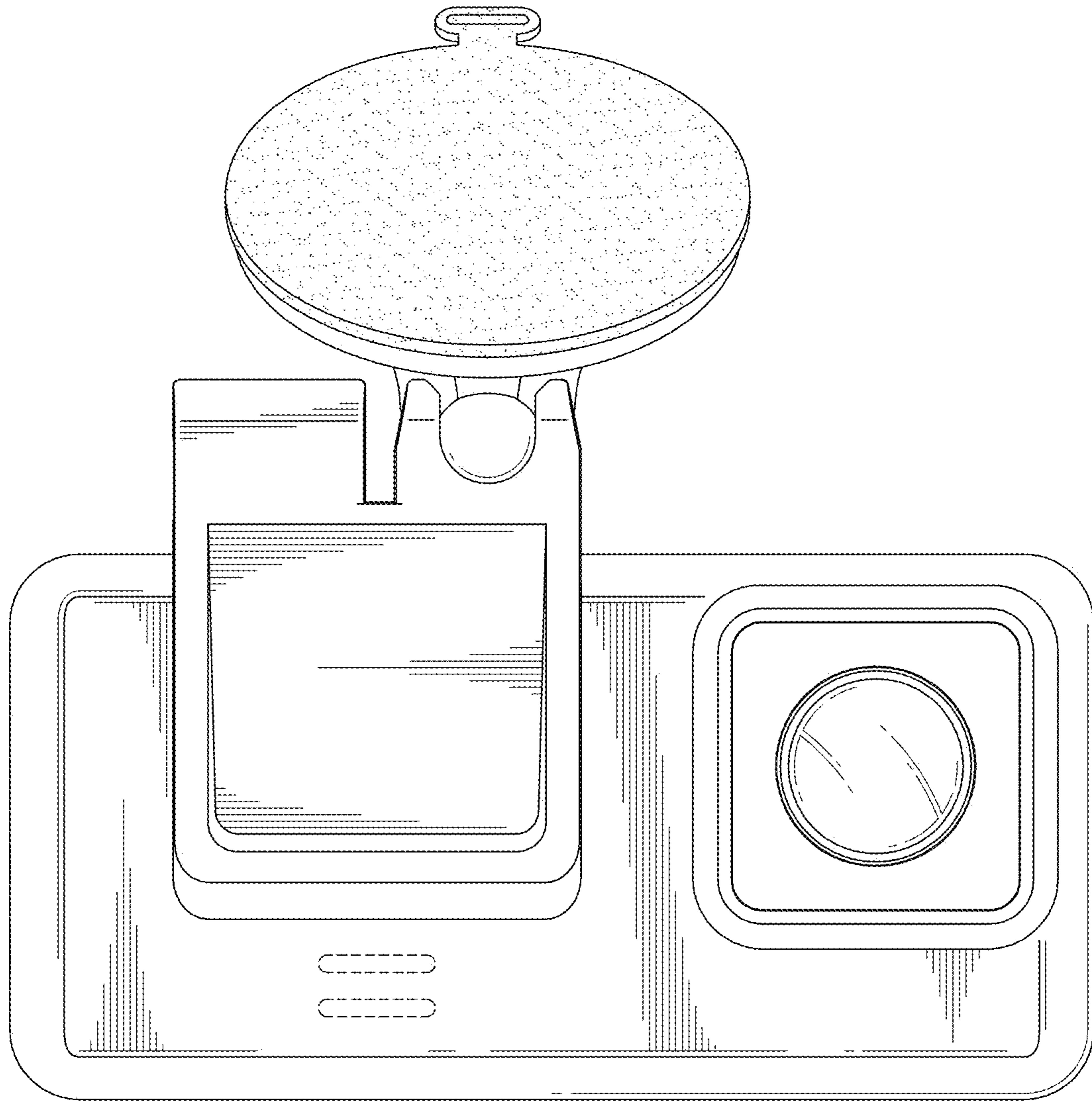


FIG. 3

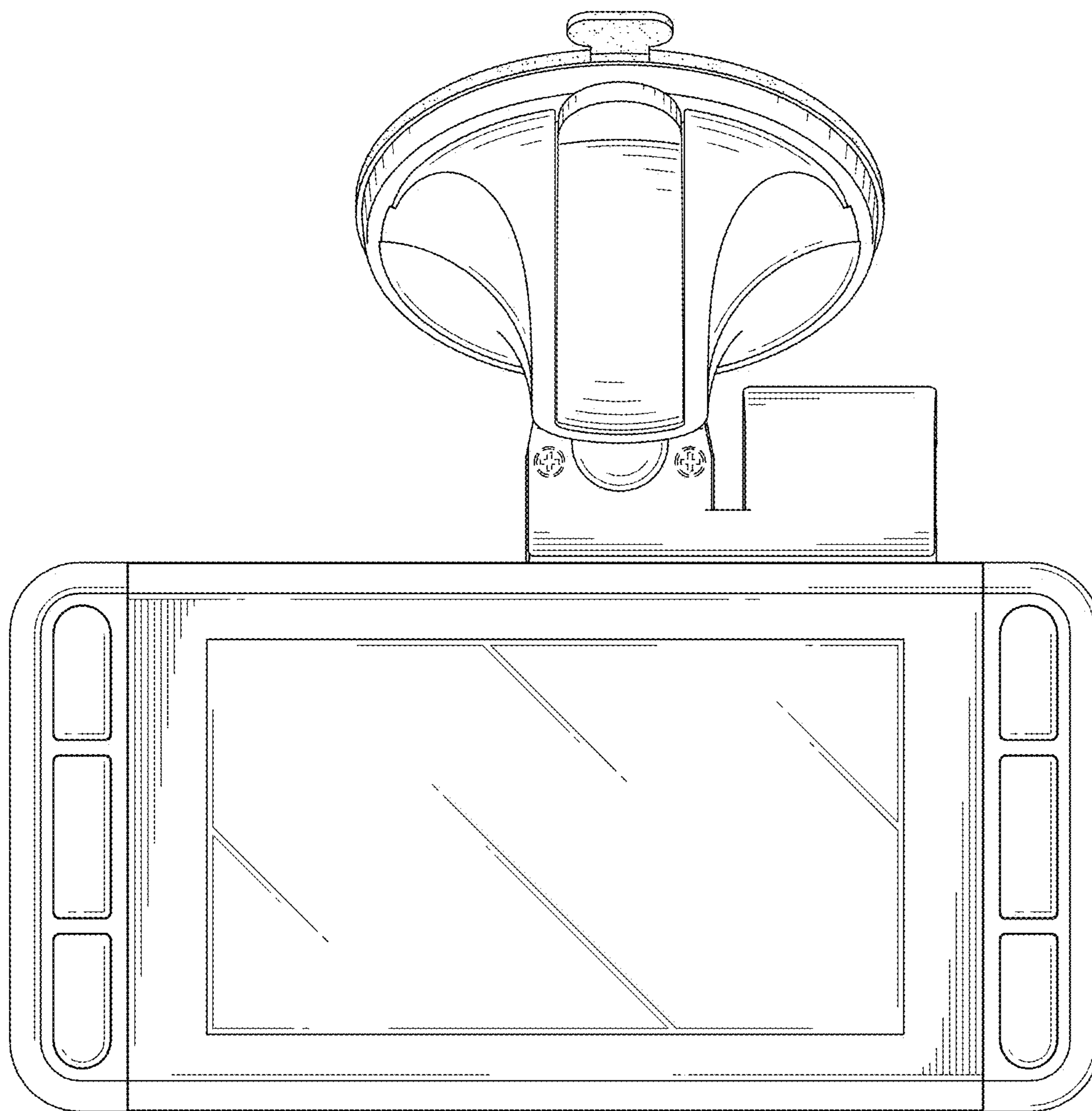


FIG. 4

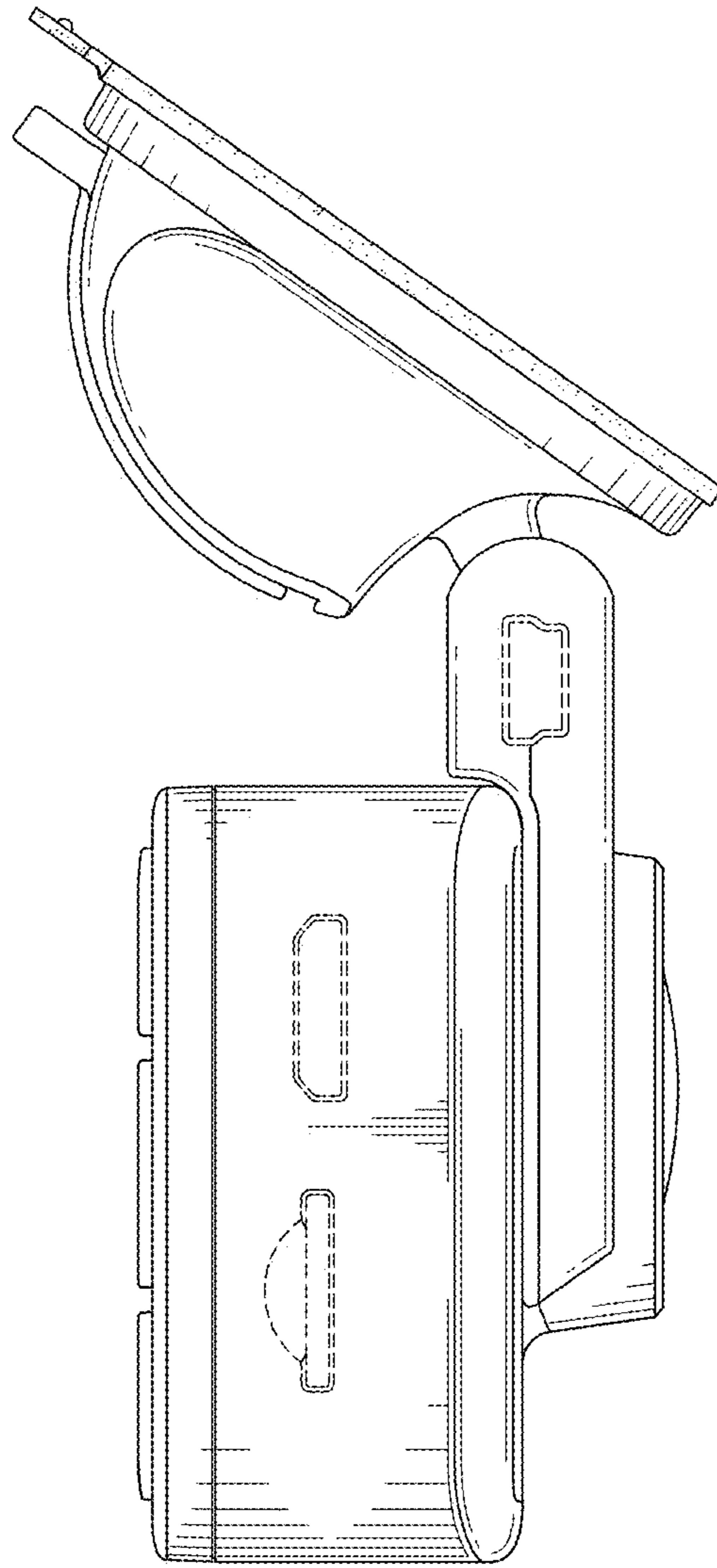


FIG. 5

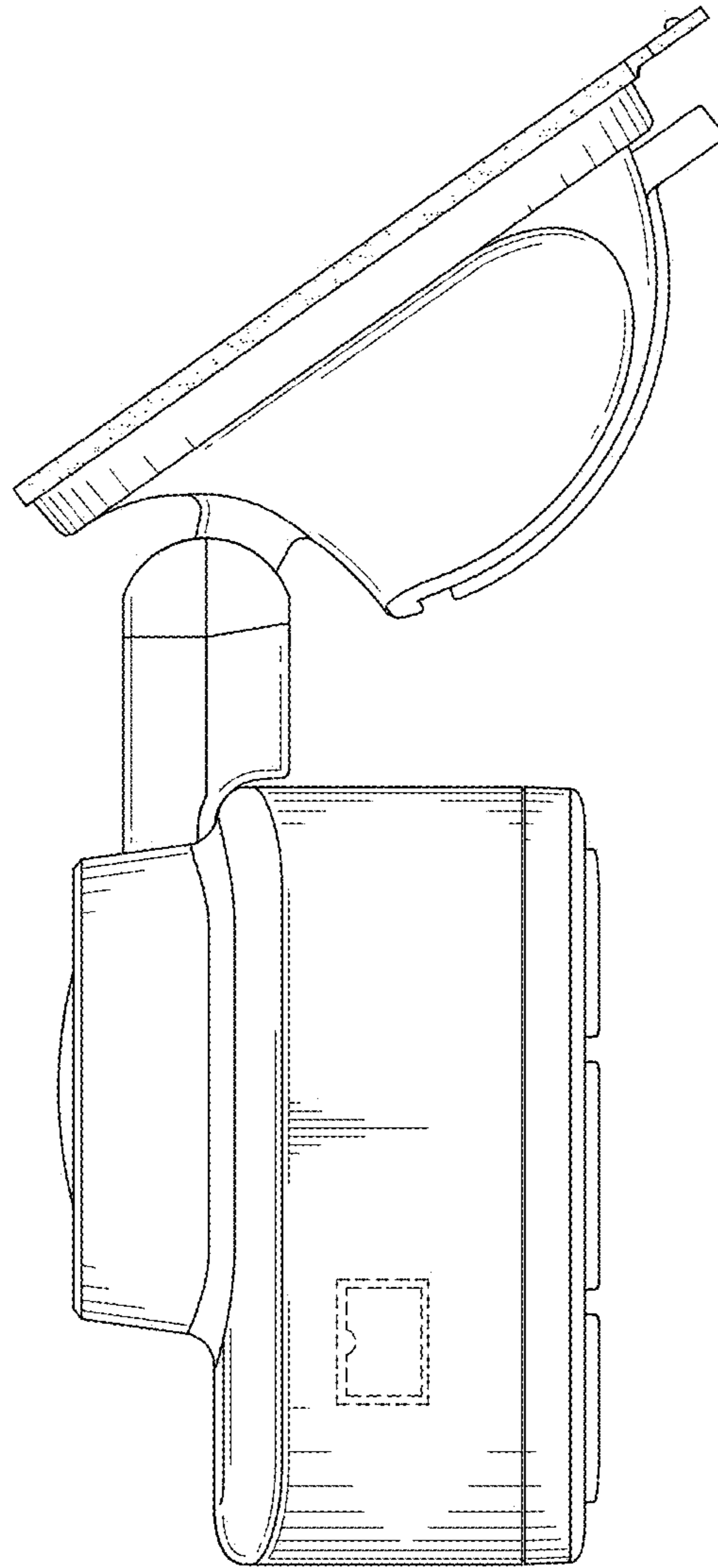


FIG. 6

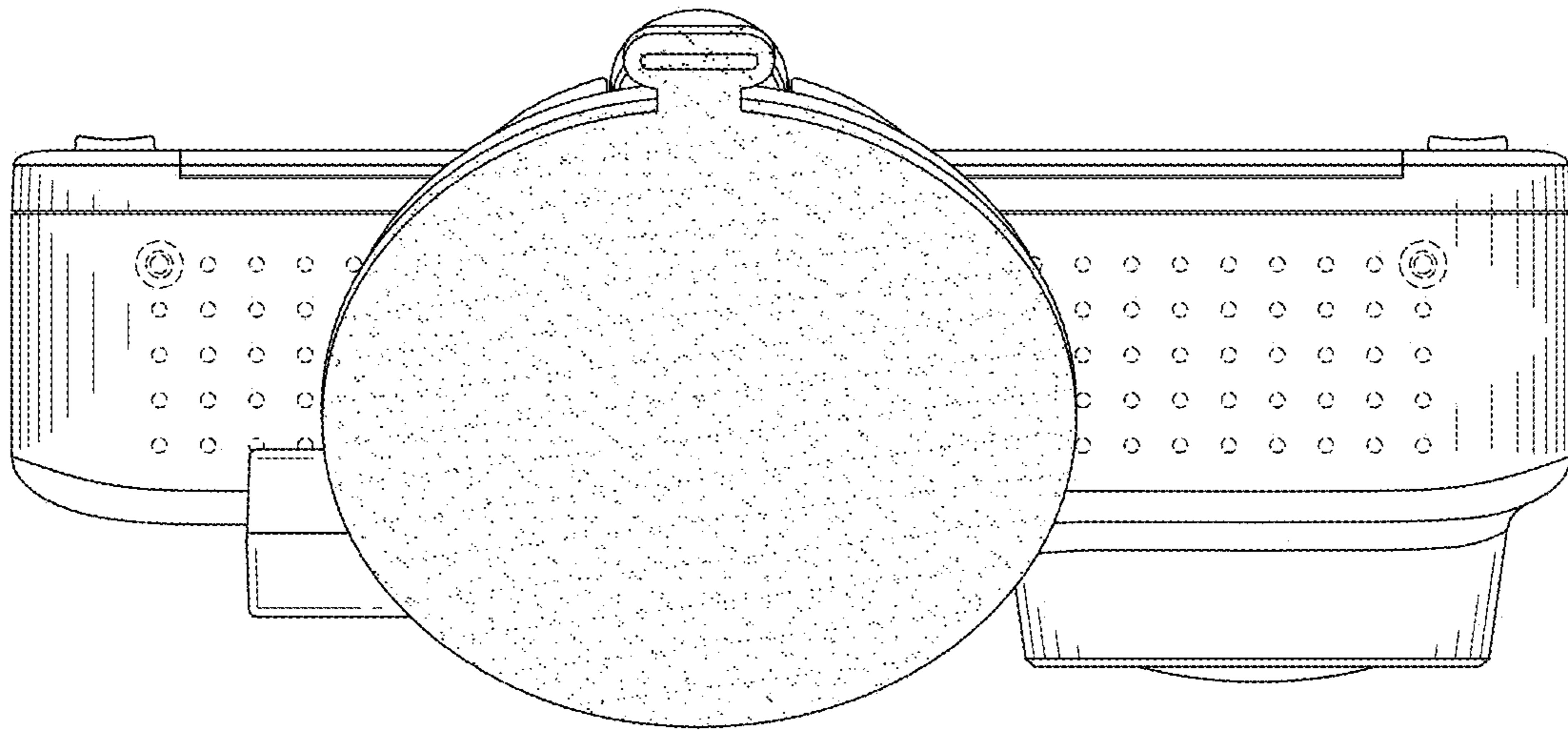


FIG. 7



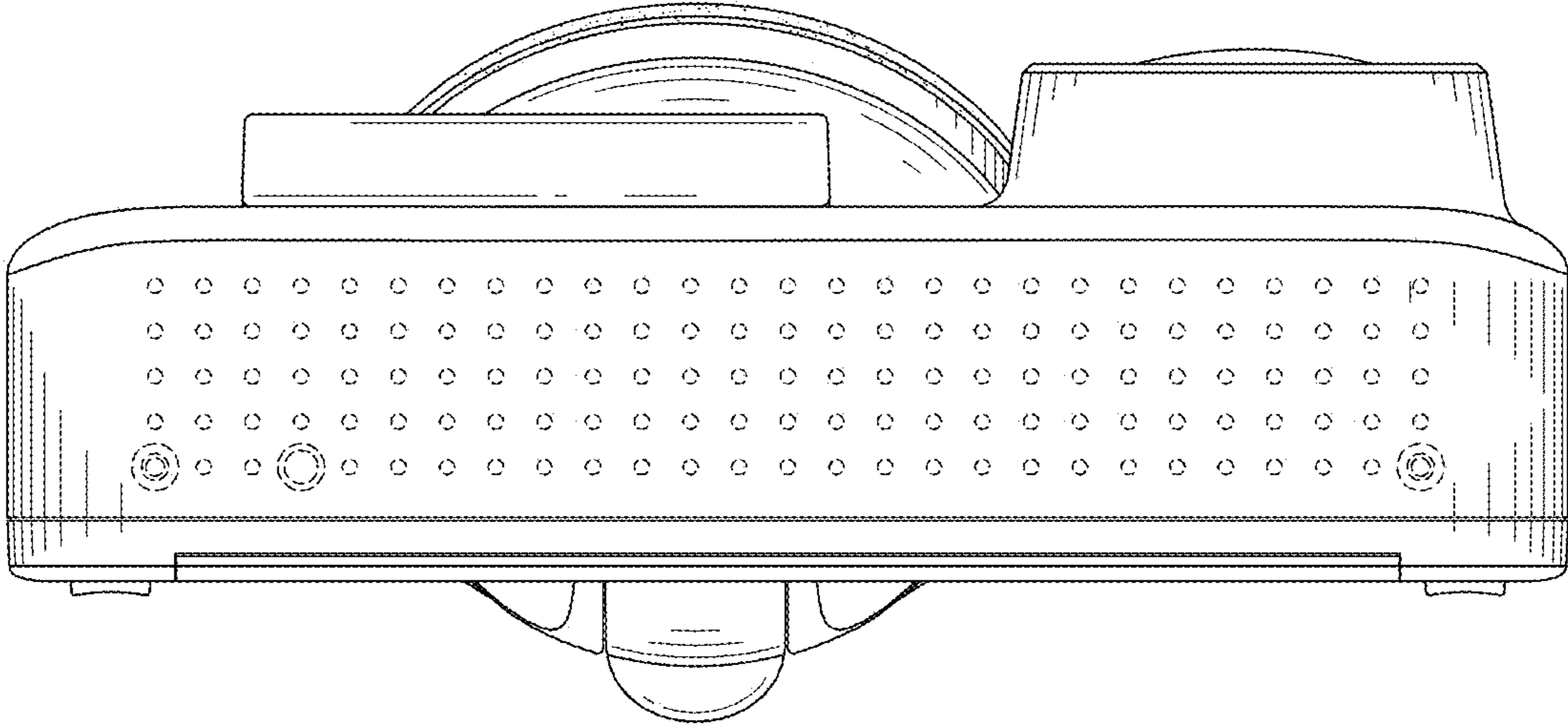


FIG. 8