



US00D925642S

(12) **United States Design Patent** (10) **Patent No.:** **US D925,642 S**
Park et al. (45) **Date of Patent:** **** *Jul. 20, 2021**

(54) **CAMERA HOUSING**

(71) Applicant: **Cisco Technology, Inc.**, San Jose, CA (US)
(72) Inventors: **Kyunyoung Park**, Foster City, CA (US); **Nicholas James Kaoru Kawamoto**, Novato, CA (US); **Peter W. Gleason**, Berkeley, CA (US); **Nicholas Dye Abalos**, San Francisco, CA (US); **Ian Matthew Snyder**, San Francisco, CA (US); **Jennifer Ouk**, San Francisco, CA (US)

(73) Assignee: **CISCO TECHNOLOGY, INC.**, San Jose, CA (US)

(*) Notice: This patent is subject to a terminal disclaimer.

(**) Term: **15 Years**

(21) Appl. No.: **29/724,403**

(22) Filed: **Feb. 14, 2020**

Related U.S. Application Data

(63) Continuation of application No. 29/636,167, filed on Feb. 6, 2018, now Pat. No. Des. 875,808.

(51) **LOC (13) Cl.** **16-01**

(52) **U.S. Cl.**
USPC **D16/203**; D11/152; D11/153; D11/154; D30/129; D23/366

(58) **Field of Classification Search**
USPC D16/200–220, 131, 237, 242, 239, 250, D16/235, 130, 134, 136, 238;

(Continued)

(56) **References Cited**

U.S. PATENT DOCUMENTS

1,361,365 A * 12/1920 Campbell F21V 7/10
362/341
D119,982 S * 4/1940 Munz D11/145
(Continued)

FOREIGN PATENT DOCUMENTS

CN 301465318 † 2/2011
CN 302309136 † 1/2013
(Continued)

OTHER PUBLICATIONS

Vintage Tulip table lamp—1970s, available for sale 1970s, published 2019 [online], [retrieved Jun. 19, 2019], Available from Internet, URL: <https://www.design-mkt.com/39978-vintage-tulip-table-lamp-1970s.html>. ‡

(Continued)

Primary Examiner — Dana K Weiland
Assistant Examiner — Mary Claire Ramirez
(74) *Attorney, Agent, or Firm* — Polsinelli PC

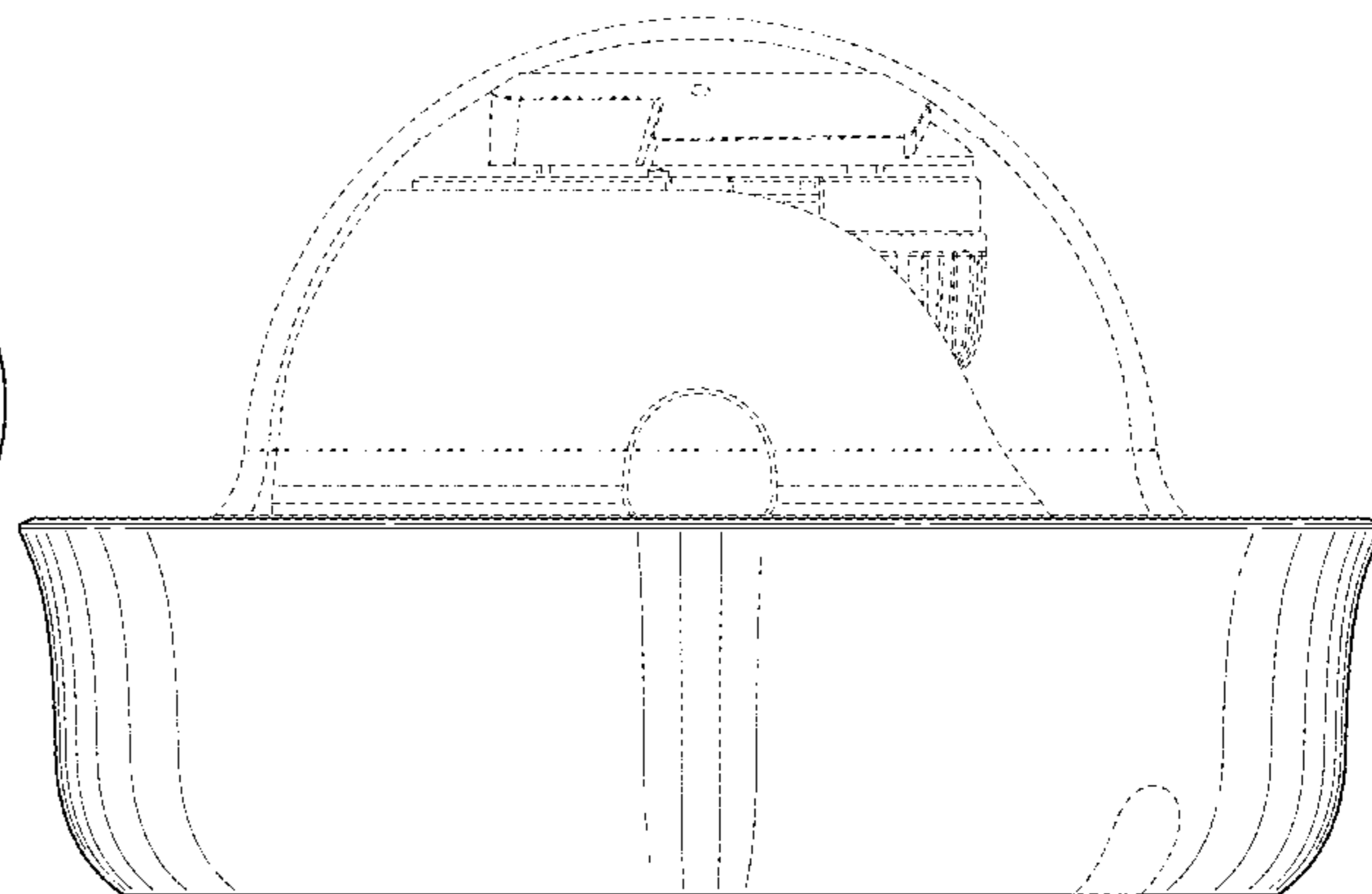
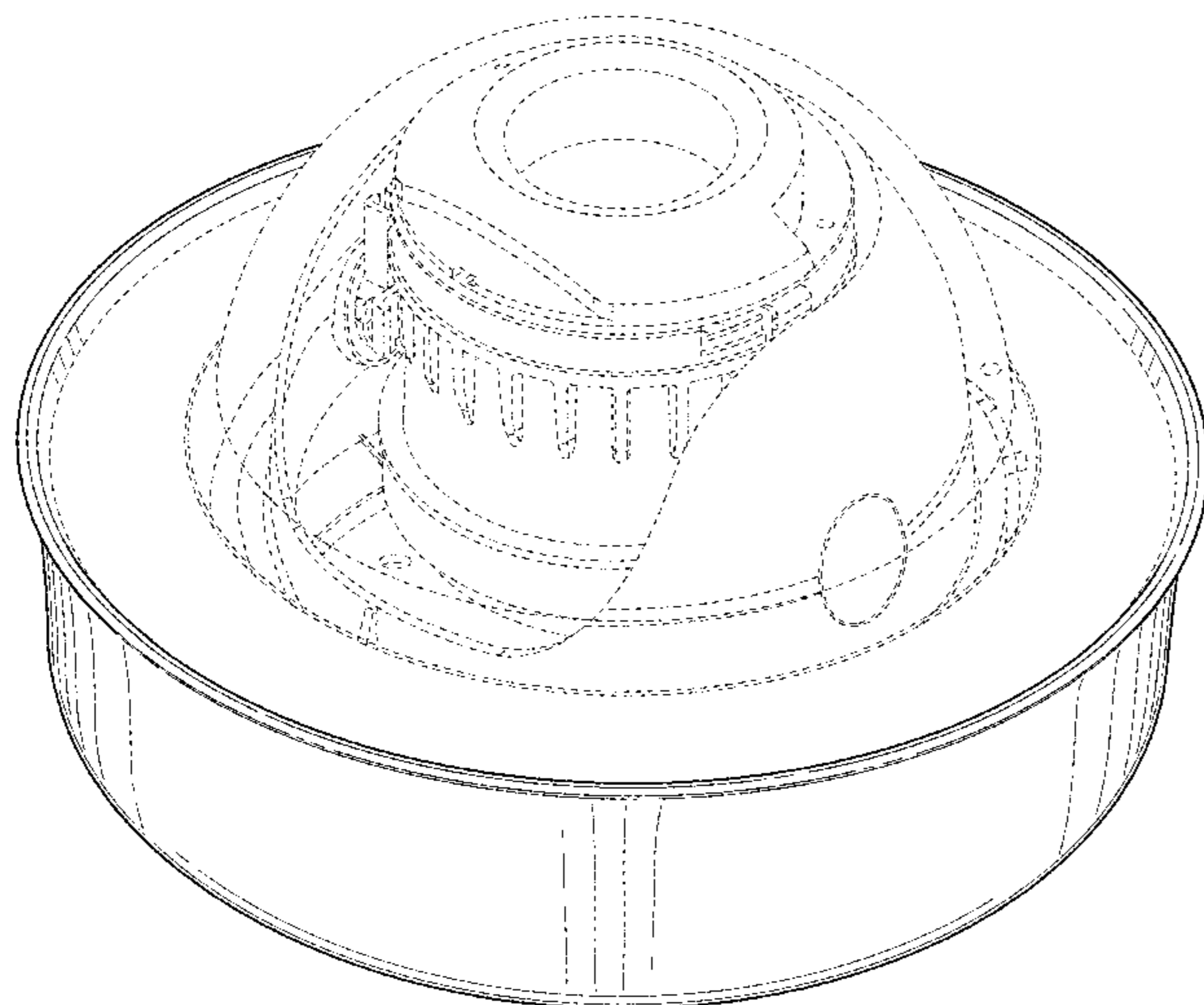
(57) **CLAIM**

We claim the ornamental design for a camera housing, as shown and described.

DESCRIPTION

FIG. 1 is a perspective view of a camera housing, showing our new design;
FIG. 2 is a front elevational view thereof;
FIG. 3 is a rear elevational view thereof;
FIG. 4 is a left side elevational view thereof;
FIG. 5 is a right side elevational view thereof;
FIG. 6 is a top plan view thereof; and,
FIG. 7 is a bottom plan view thereof.
The broken lines shown in the drawings depict portions of the camera housing that form no part of the claimed design.

1 Claim, 7 Drawing Sheets



(58) **Field of Classification Search**

USPC .. D14/138 C, 240, 248, 203.1, 203.3, 203.7,
 D14/218; D10/104.1, 50, 65, 74, 70,
 D10/118.2; D7/566, 608, 587, 502, 503;
 D9/429, 522, 548, 549, 424, 425, 428;
 D11/143, 153, 152, 154; D23/366;
 D26/11, 89, 118, 59, 22, 37, 38, 60-62,
 D26/72, 74, 128; D30/129
 CPC ... G02B 7/02; G02B 7/04; G02B 7/14; G02B
 3/14; G03B 17/00; G03B 17/02; G03B
 17/56; G03B 17/04; G03B 17/14; G03B
 15/03; G03B 9/08; H04N 5/2251; H04N
 5/2252; H04N 5/2253; H04N 5/2254;
 H04N 7/00; H04N 2101/00; F16M 13/00
 See application file for complete search history.

(56) **References Cited**

U.S. PATENT DOCUMENTS

2,638,716 A * 5/1953 Luipersbek A01G 27/04
 47/79
 3,051,303 A * 8/1962 Daanen A47G 19/30
 206/776
 D194,506 S * 2/1963 Laan D11/147
 D228,934 S * 10/1973 Humphries D11/154
 D244,741 S * 6/1977 Daenen D7/538
 D245,643 S * 8/1977 Orfei D11/154
 4,091,953 A * 5/1978 Daanen B65D 81/3216
 220/23.86
 D288,793 S * 3/1987 Carlson D11/153
 D290,802 S * 7/1987 Petrossian D11/149
 D322,047 S * 12/1991 Wolfenden D11/153
 D325,212 S † 4/1992 Elberbaum D16/219
 D352,480 S * 11/1994 Carlson 47/79
 D376,667 S * 12/1996 Lucluze D26/119
 D382,512 S * 8/1997 Hulsebus D11/152
 D388,892 S * 1/1998 Ratia D26/9
 D394,513 S * 5/1998 Davis D26/6
 D404,682 S * 1/1999 Baran D11/152
 D412,924 S † 8/1999 Hiraguchi D16/203
 D414,504 S † 9/1999 Madden D16/203
 D415,509 S † 10/1999 Hiraguchi D16/203
 D424,087 S † 5/2000 Frick 396/427
 D478,475 S * 8/2003 Backes D7/545
 D497,927 S † 11/2004 Arbuckle D16/203
 D538,450 S * 3/2007 Adams D26/11
 D547,347 S † 7/2007 Kim D16/202
 D548,587 S * 8/2007 DuVal D30/129
 D556,236 S † 11/2007 Kim D16/202
 D556,568 S * 12/2007 DuVal D30/129
 D560,244 S † 1/2008 Naruki D16/203
 D561,808 S † 2/2008 Arnold D16/203
 D564,557 S † 3/2008 Yamamoto D16/203
 D576,196 S † 9/2008 Grotto D16/203
 D581,961 S † 12/2008 Shioya D16/203
 D584,756 S † 1/2009 Yamakawa D16/203
 D592,459 S * 5/2009 Wolff D7/587
 D594,048 S † 6/2009 Yamakawa D16/203
 D606,404 S * 12/2009 Diss D9/428
 D615,115 S † 5/2010 Arnold D16/203
 D620,575 S * 7/2010 Jorgensen D23/366
 D628,225 S † 11/2010 Deurwaarder D16/203
 D636,805 S † 4/2011 Anneback D16/203

D644,677 S † 9/2011 Park D16/203
 D668,701 S † 10/2012 Ohno D16/203
 D676,478 S † 2/2013 Uehara D16/203
 D690,345 S † 9/2013 Seo D16/203
 D701,258 S † 3/2014 Huang D16/203
 D702,275 S † 4/2014 Ying D16/203
 D708,654 S * 7/2014 Tani D16/203
 D713,757 S * 9/2014 Thuma D11/152
 D719,600 S † 12/2014 Katori D16/203
 D719,994 S † 12/2014 Wang D16/203
 D742,447 S † 11/2015 Stark D16/203
 D753,752 S † 4/2016 Ahman D16/203
 D753,753 S † 4/2016 Moon D16/203
 9,451,133 B2 † 9/2016 Stark F16M 13/02
 D782,557 S † 3/2017 Ahman D16/203
 D791,851 S † 7/2017 Zhang D16/203
 D798,934 S † 10/2017 Wu D16/203
 D805,424 S * 12/2017 Thuma D11/153
 D815,173 S † 4/2018 Hikima D16/203
 D824,732 S * 8/2018 Hsiao D7/624.2
 D825,638 S † 8/2018 Holbrook D16/203
 D839,490 S * 1/2019 Watson D30/101
 D841,716 S † 2/2019 Teachworth D16/203
 D849,114 S † 5/2019 Jeong D16/219
 D862,988 S * 10/2019 Wiggins D7/587
 D866,634 S * 11/2019 Gleason D16/203
 D867,072 S * 11/2019 Marek D7/587
 D868,391 S * 11/2019 Townsend D30/129
 D874,533 S * 2/2020 Park D16/203
 D875,808 S * 2/2020 Park D16/203
 D904,483 S * 12/2020 Gleason D16/203
 2007/0274706 A1 † 11/2007 Cheng G03B 17/00
 396/427
 2008/0024604 A1 † 1/2008 Menegotto G08B 13/19619
 348/143
 2008/0067180 A1 * 3/2008 Schanche A47G 19/02
 220/574
 2010/0060731 A1 † 3/2010 Lin G08B 13/19619
 348/143
 2010/0141760 A1 † 6/2010 Cheng G08B 13/1963
 348/143
 2012/0281083 A1 † 11/2012 Chivers G03B 17/02
 348/81
 2013/0287385 A1 † 10/2013 Andersson H04N 5/2252
 396/427
 2015/0326759 A1 † 11/2015 Mukai G03B 17/02
 348/374
 2018/0241915 A1 † 8/2018 Guan H04N 5/225

FOREIGN PATENT DOCUMENTS

CN 302435995 † 5/2013
 CN 303217885 † 5/2015
 CN 303542873 † 1/2016
 CN 304314626 † 10/2017
 EM 000665039-0002 † 2/2007
 EM 000665039-0003 † 2/2007

OTHER PUBLICATIONS

Prune_Plum Burl Wood Bowl, published Aug. 21, 2007 [online],
 [retrieved Jun. 19, 2019], Available from Internet, URL: <https://www.penturners.org/threads/prune-plum-burl-wood-bowl.31482/>. †

* cited by examiner
 † imported from a related application

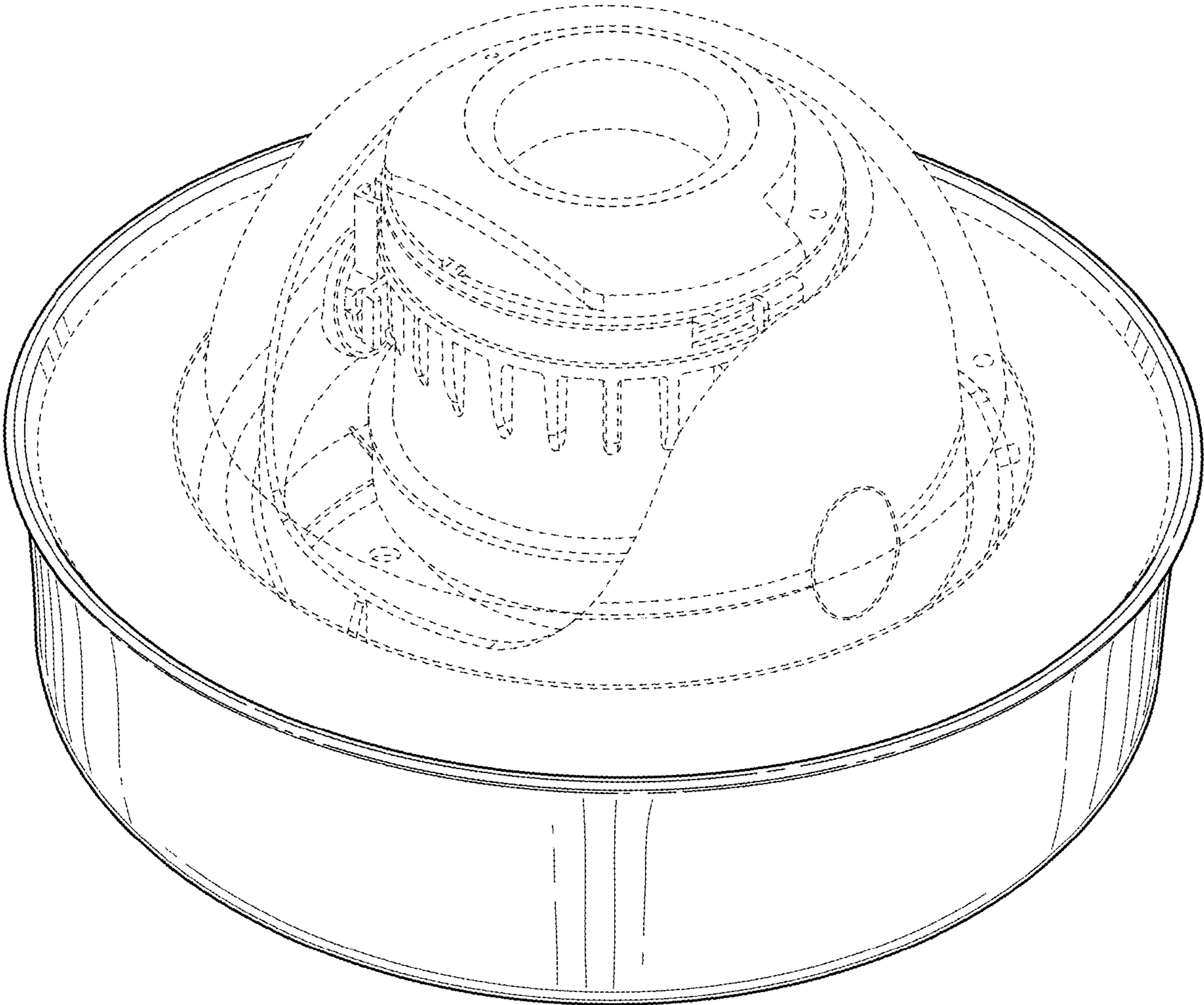


FIG. 1

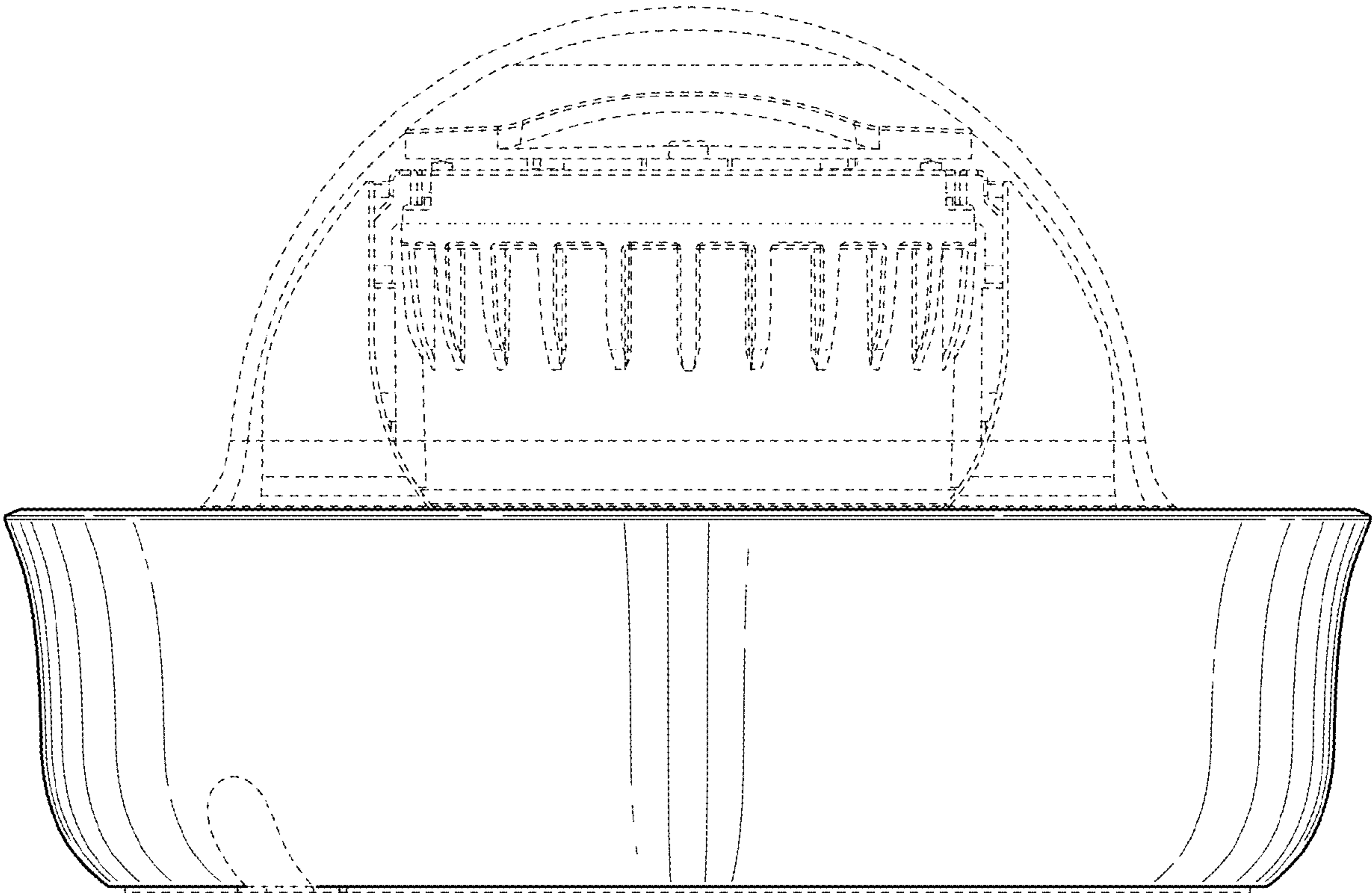


FIG. 2

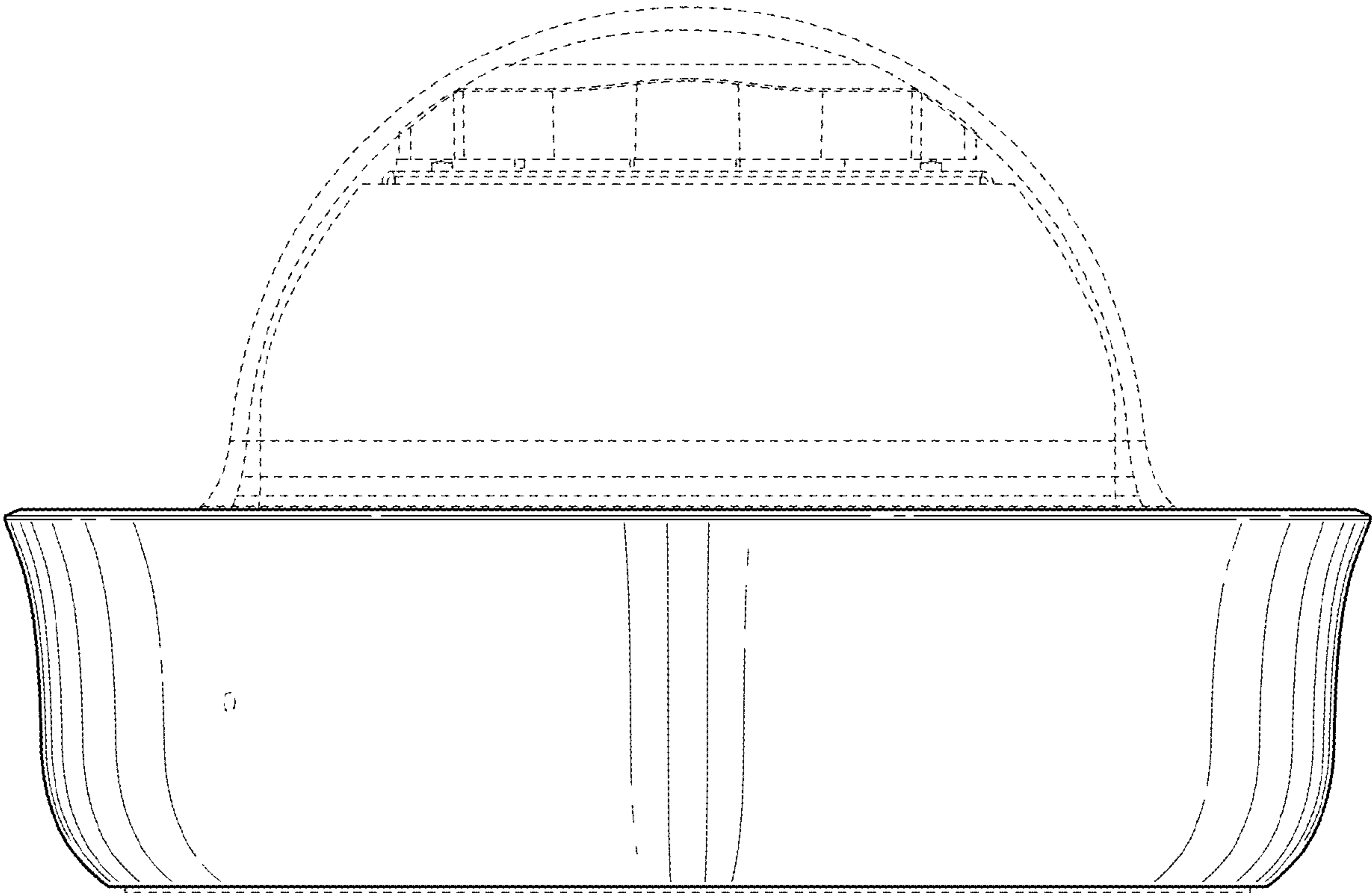


FIG. 3

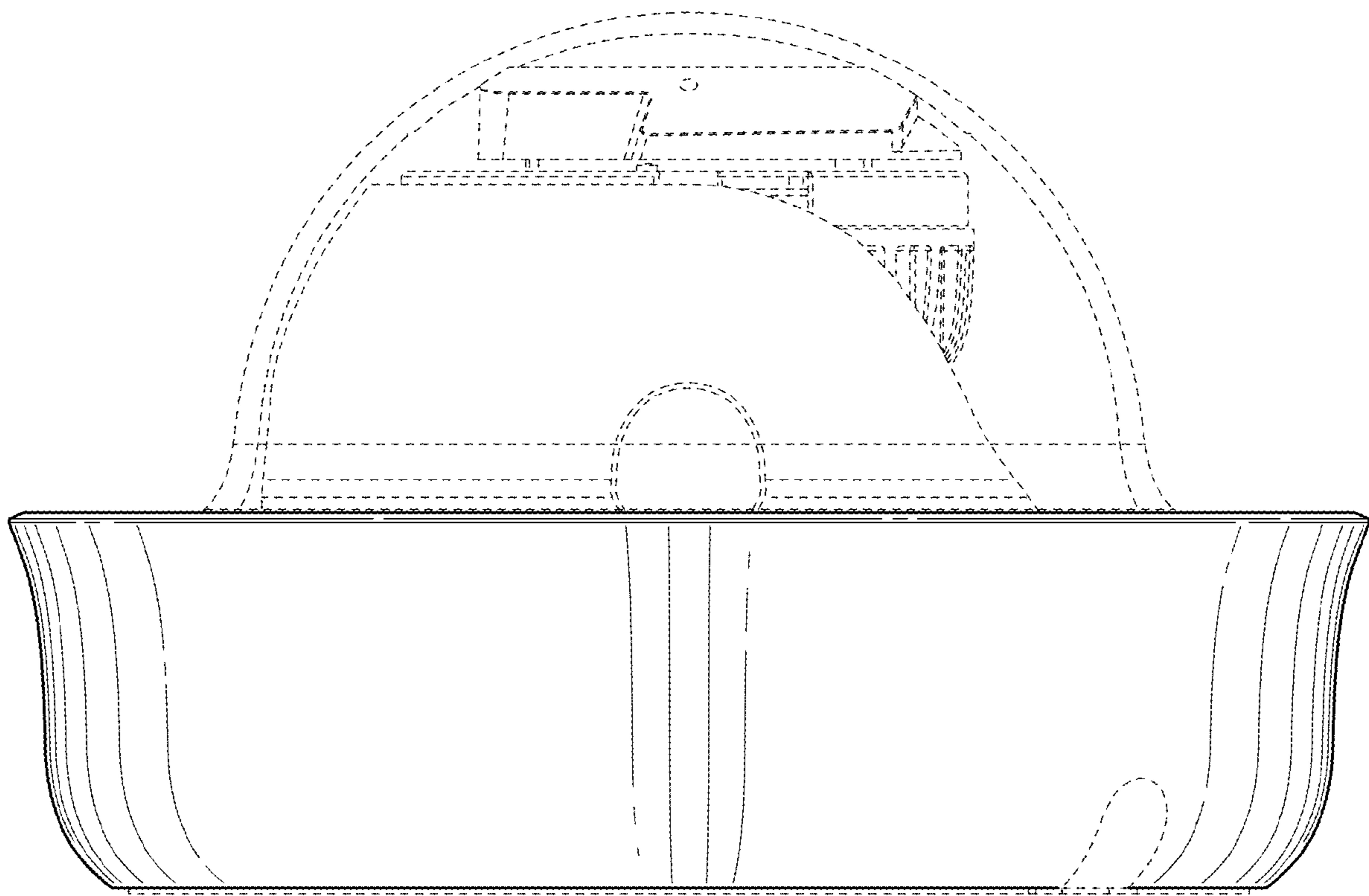


FIG. 4

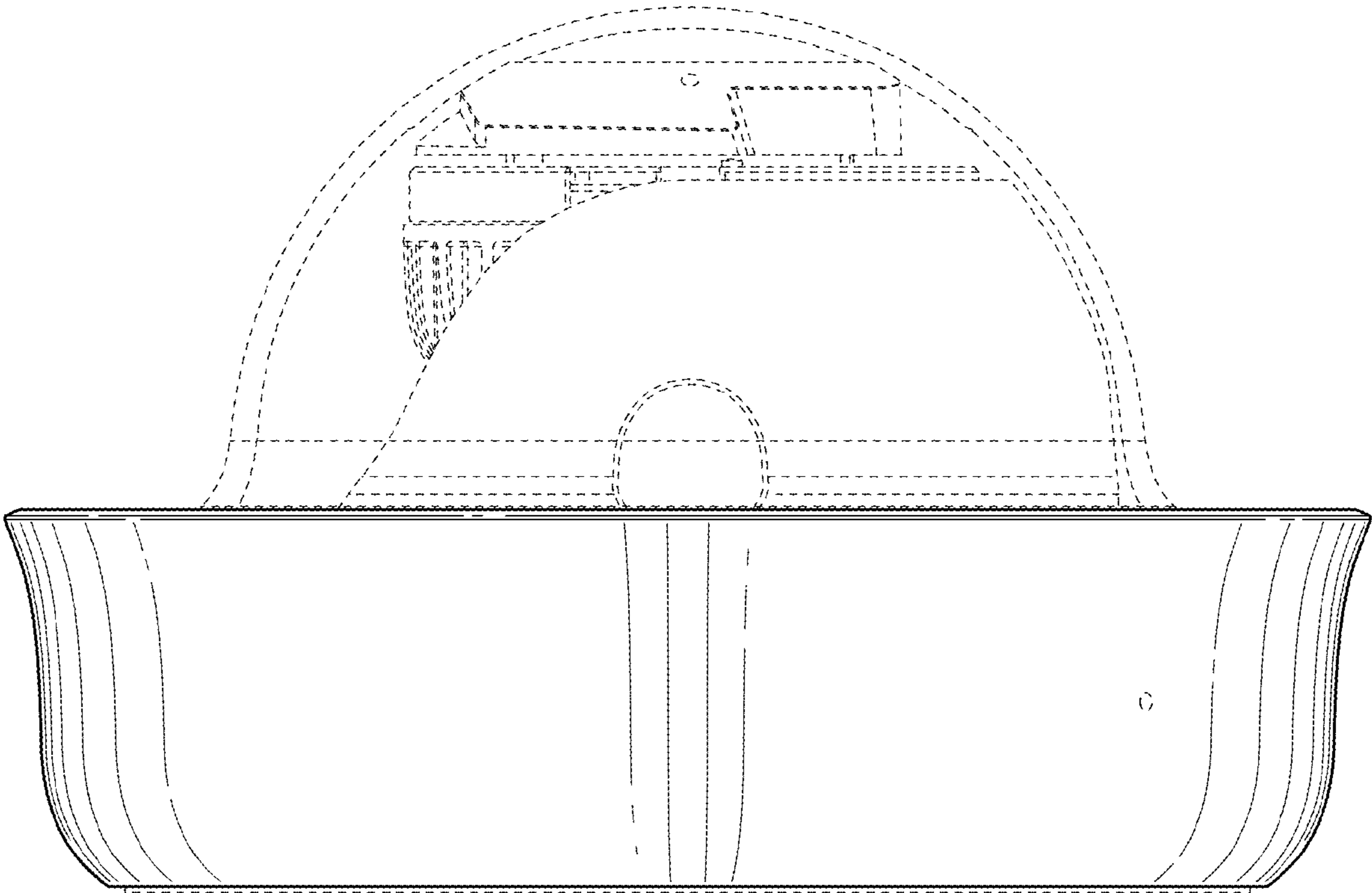


FIG. 5

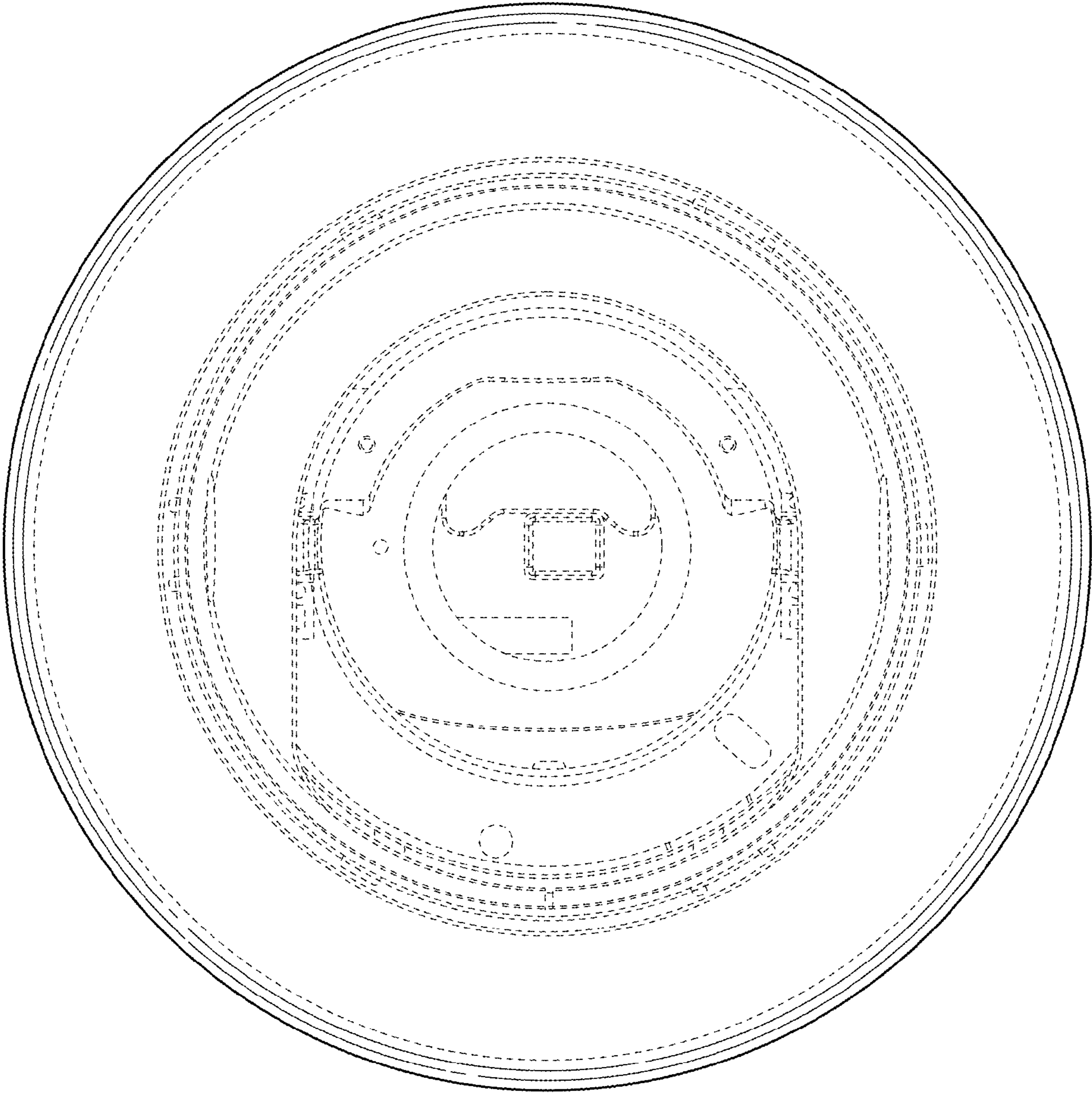


FIG. 6

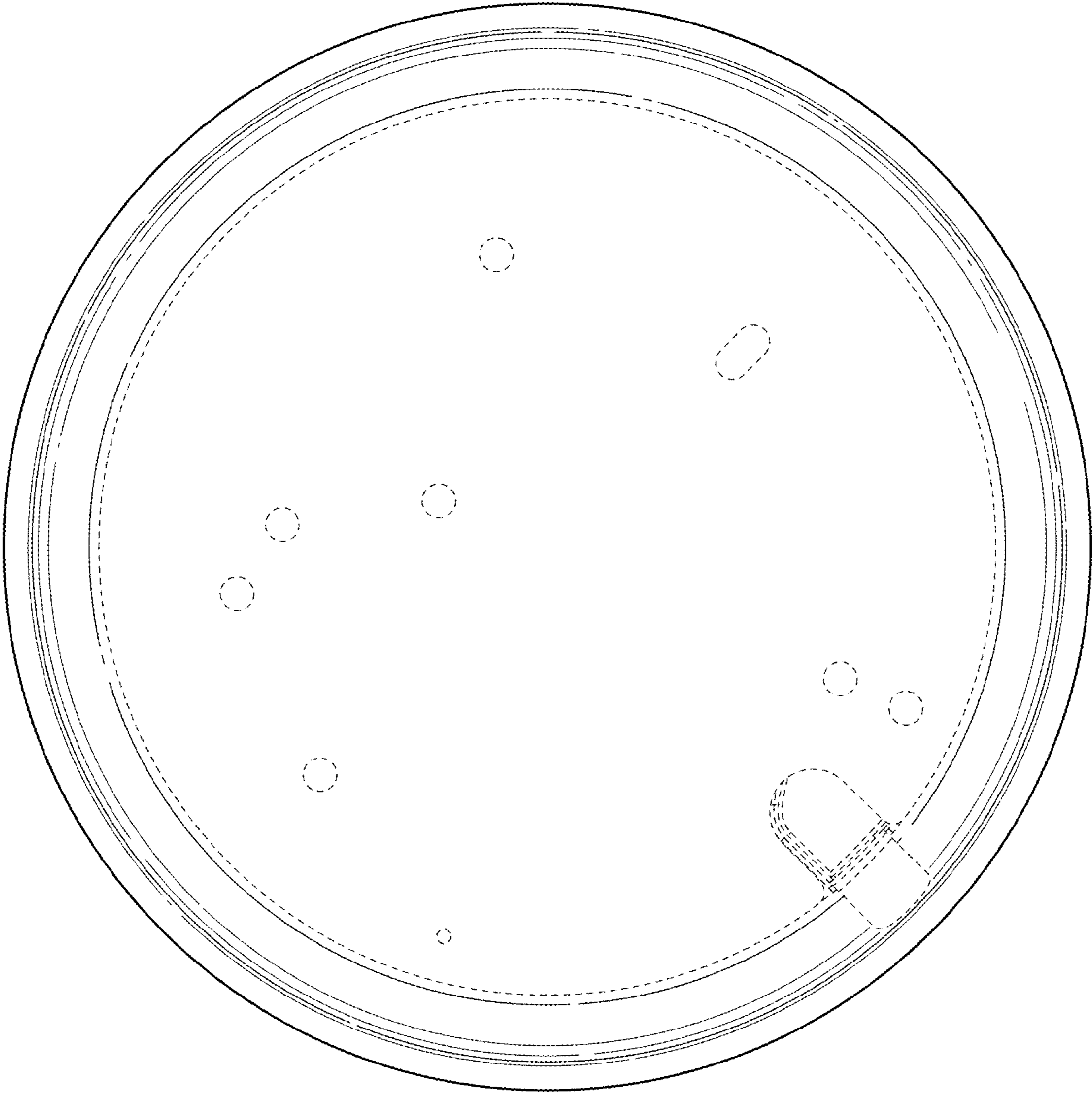


FIG. 7