



US00D925639S

(12) **United States Design Patent**
Asano et al.

(10) **Patent No.:** **US D925,639 S**
(45) **Date of Patent:** **** Jul. 20, 2021**

(54) **DIGITAL CAMERA**

(71) Applicant: **Nikon Corporation**, Tokyo (JP)

(72) Inventors: **Hiroyuki Asano**, Tokyo (JP); **Makoto Imamizu**, Yokohama (JP); **Kenji Baba**, Tokyo (JP)

(73) Assignee: **Nikon Corporation**, Tokyo (JP)

(**) Term: **15 Years**

(21) Appl. No.: **29/746,965**

(22) Filed: **Aug. 18, 2020**

Related U.S. Application Data

(62) Division of application No. 29/676,393, filed on Jan. 10, 2019, now Pat. No. Des. 896,296.

(30) **Foreign Application Priority Data**

Jul. 13, 2018 (JP) 2018-015565
Jul. 13, 2018 (JP) 2018-015566
Jul. 13, 2018 (JP) 2018-015567
Jul. 13, 2018 (JP) 2018-015568

(51) **LOC (13) Cl.** **16-01**

(52) **U.S. Cl.**
USPC **D16/202**; D16/217

(58) **Field of Classification Search**

USPC D16/200, 202–206, 208, 218, 219;
348/373–376; 396/535, 539–541
CPC G03B 15/03; G03B 17/02; G03B 17/04;
G03B 17/56; G03B 19/04; H04N 5/2251;
H04N 5/2252; H04N 5/2253; H04N
5/2254; H04N 2101/00

See application file for complete search history.

(56) **References Cited**

U.S. PATENT DOCUMENTS

5,852,752 A 12/1998 Nakanishi et al.
D528,580 S * 9/2006 Sumita D16/202

D542,321 S 5/2007 Takahashi
D557,308 S * 12/2007 Matsuda D16/202
D567,835 S * 4/2008 Sumita D16/202
D581,440 S * 11/2008 Nakamura D16/202
D594,892 S * 6/2009 Kamiya D16/202
D605,679 S * 12/2009 Hayashi D16/206

(Continued)

FOREIGN PATENT DOCUMENTS

JP D1132034 S 1/2002
JP D1241627 S 6/2005
JP D1496302 S 4/2017

OTHER PUBLICATIONS

U.S. Appl. No. 29/676,393, filed Jan. 10, 2019, Imamizu et al.

Primary Examiner — Ramzi S Almatrahi

(74) *Attorney, Agent, or Firm* — Wolf, Greenfield & Sacks, P.C.

(57) **CLAIM**

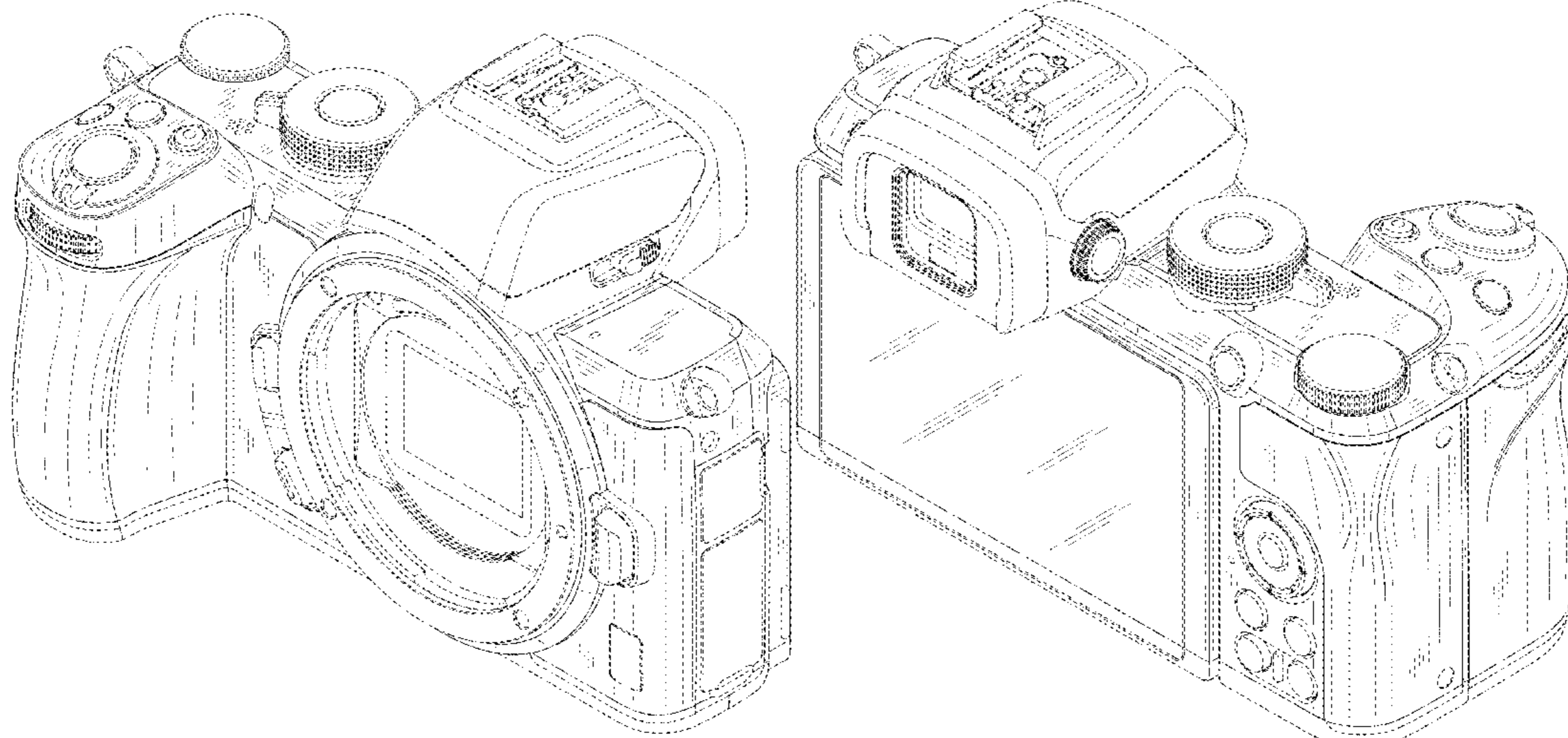
The ornamental design for a digital camera, as shown and described.

DESCRIPTION

FIG. 1 is a front, top and right side perspective view of a digital camera showing our new design;
FIG. 2 is a rear, top and left side perspective view thereof;
FIG. 3 is a front view thereof;
FIG. 4 is a rear view thereof;
FIG. 5 is a top plan view thereof;
FIG. 6 is a bottom plan view thereof;
FIG. 7 is a right side view thereof; and,
FIG. 8 is a left side view thereof.

The broken lines illustrate portions of the digital camera that form no part of the claimed design. The dash-dotted lines denote the boundary of the claim and form no part of the claimed design.

1 Claim, 8 Drawing Sheets



(56)

References Cited

U.S. PATENT DOCUMENTS

D609,730 S	*	2/2010	Nakamura	D16/202
D649,572 S		11/2011	Lee	
D662,531 S		6/2012	Nakamura	
D681,090 S		4/2013	Tainaka	
D690,755 S	*	10/2013	Nikaido	D16/202
D701,550 S		3/2014	Umehara	
D706,849 S	*	6/2014	Sakai	D16/202
D720,787 S		1/2015	Tainaka	
D720,793 S		1/2015	Tajima	
D732,099 S		6/2015	Nagaoka et al.	
D733,782 S		7/2015	Sakai et al.	
D738,418 S		9/2015	Imai	
D746,351 S		12/2015	Sogabe	
D789,434 S		6/2017	Abe et al.	
D873,880 S		1/2020	Imai	
D885,464 S	*	5/2020	Kitade	D16/219
D904,481 S	*	12/2020	Imai	D16/202

* cited by examiner

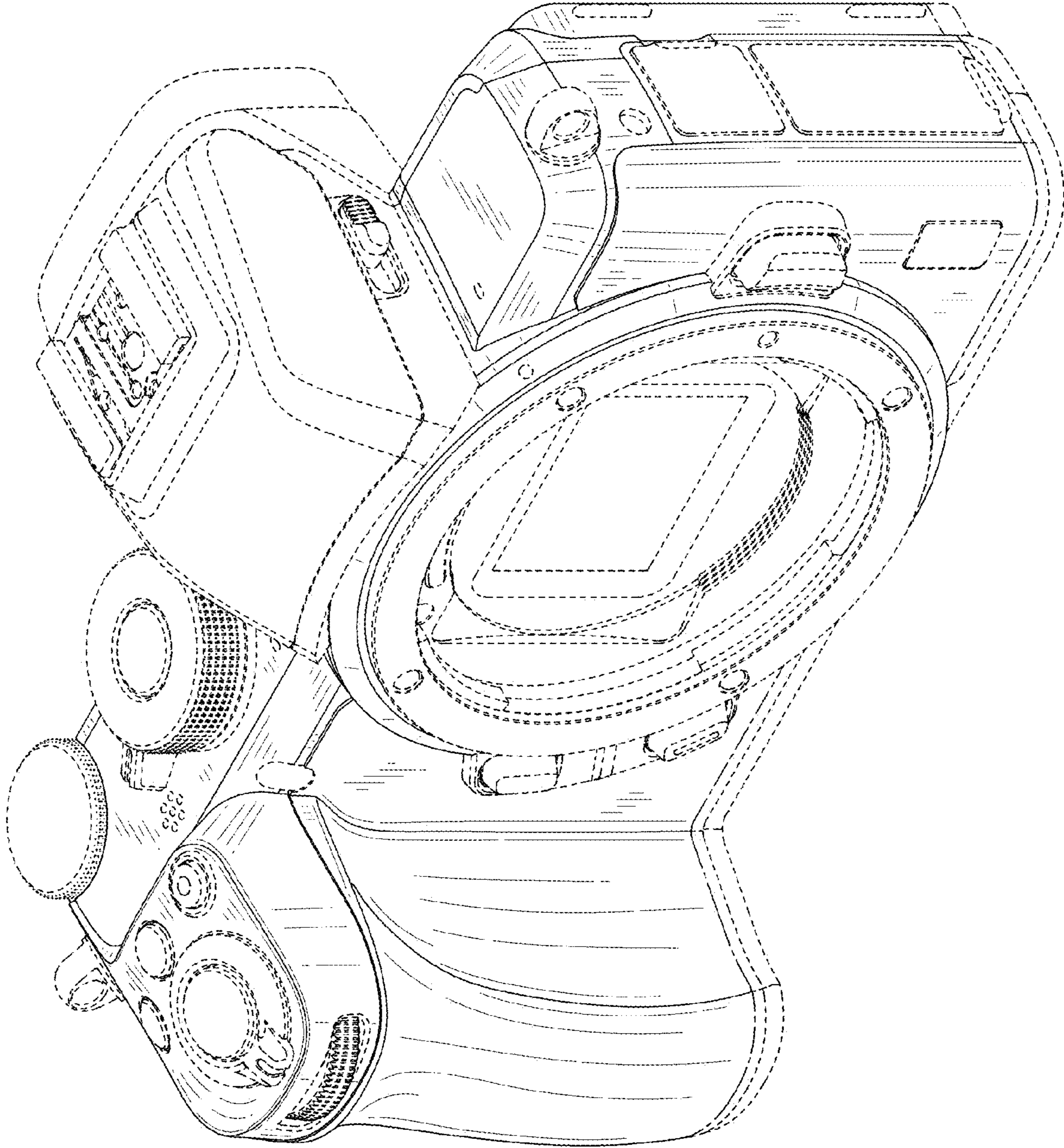


FIG.1

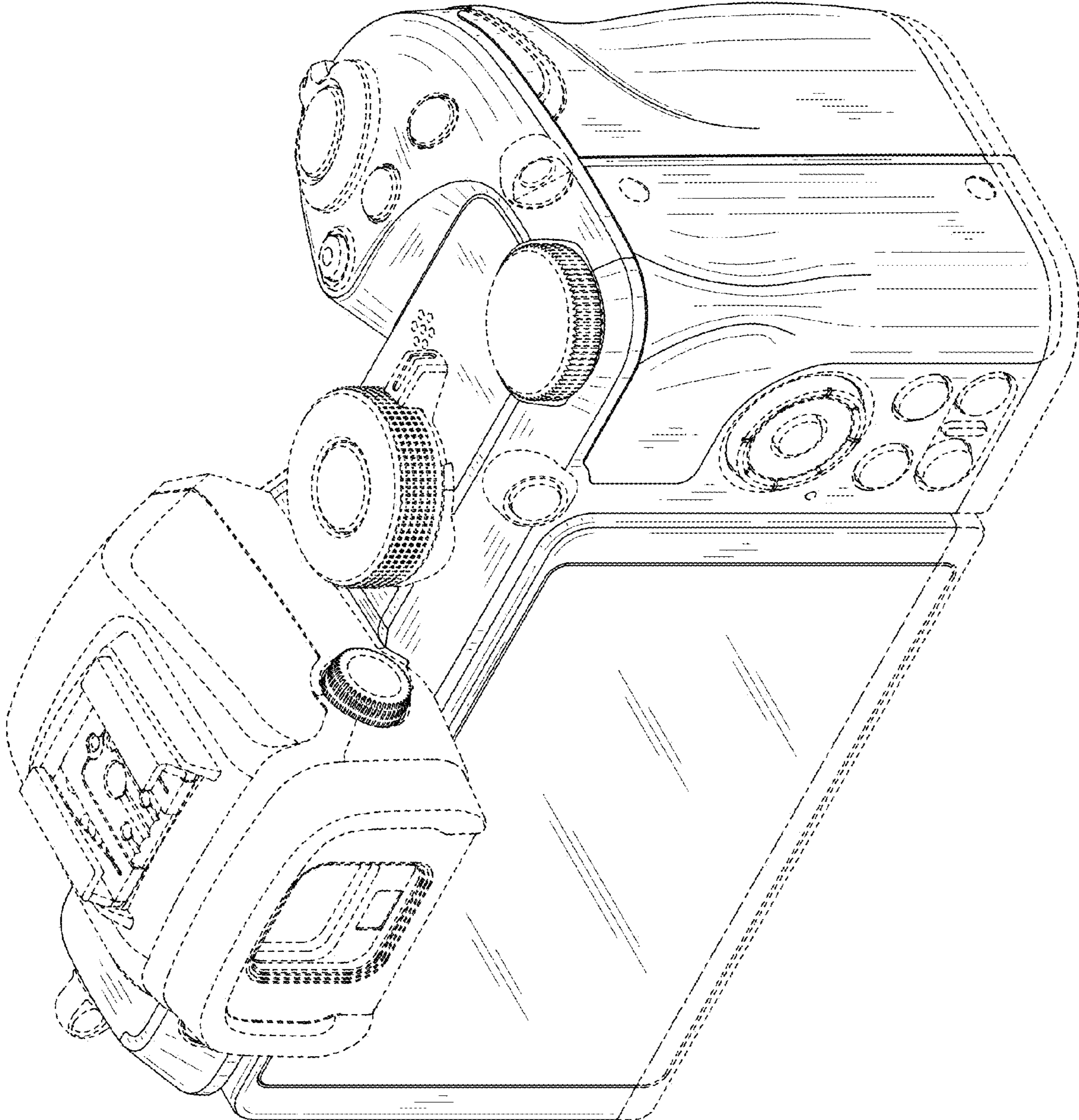


FIG.2

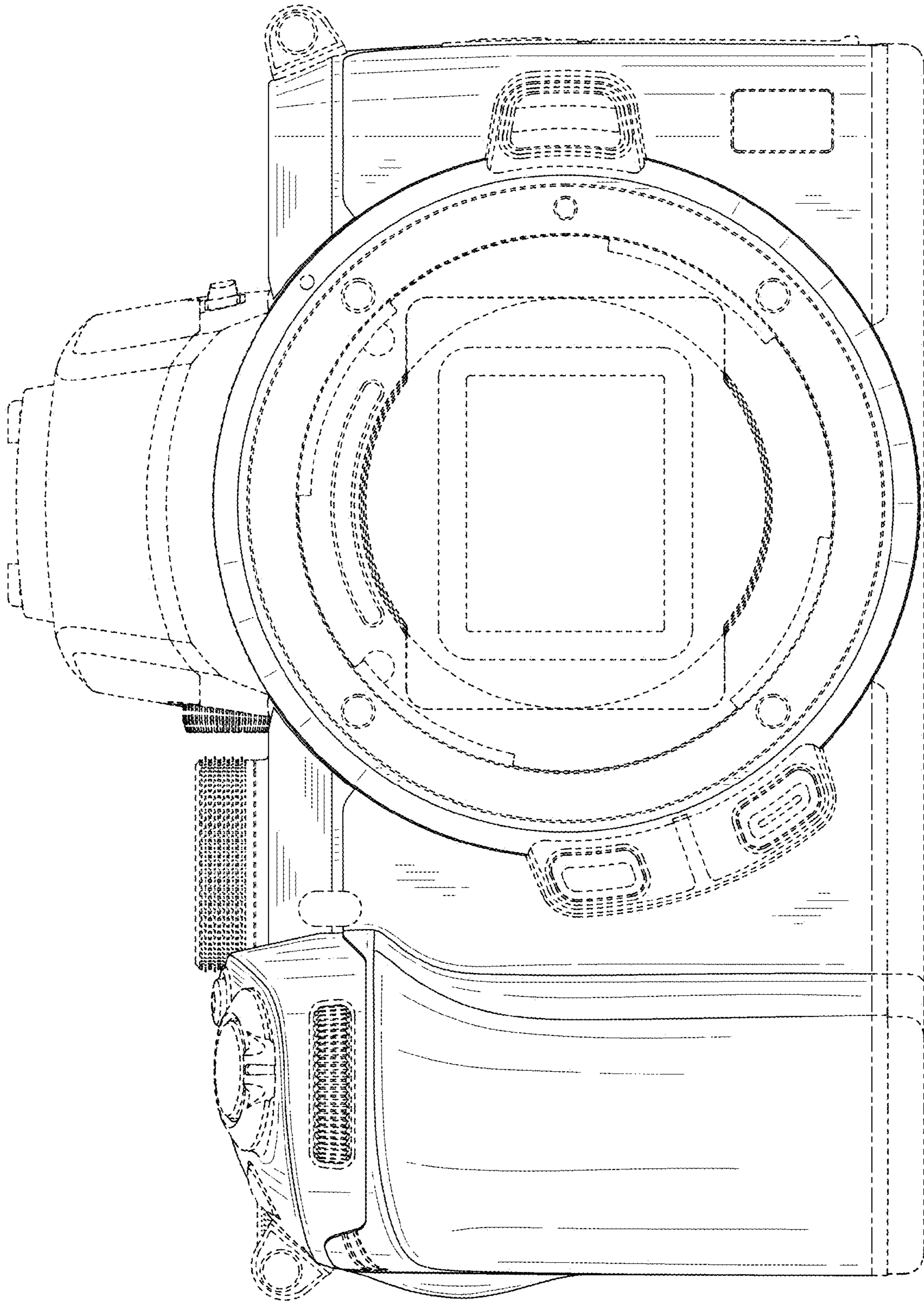


FIG.3

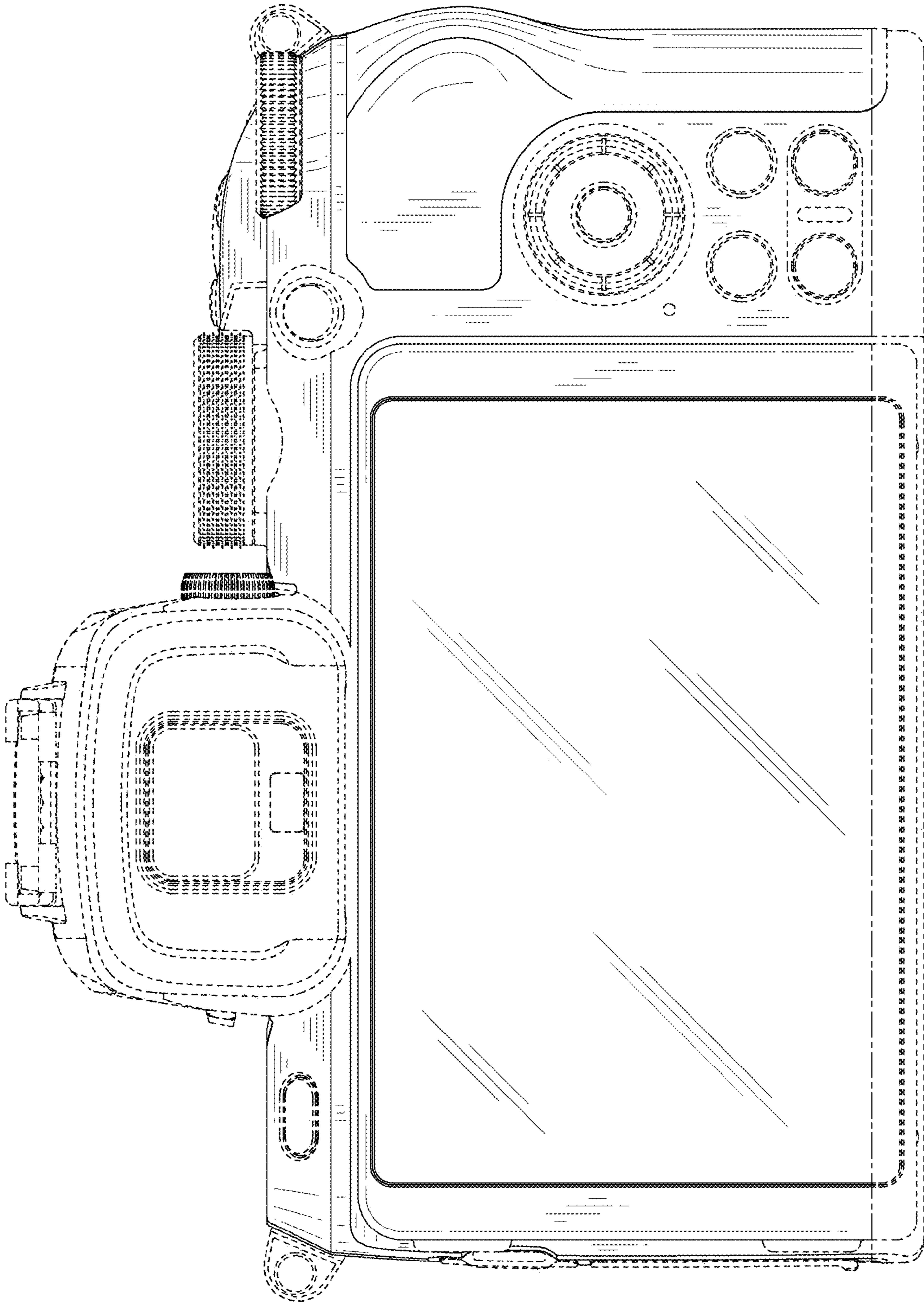


FIG.4

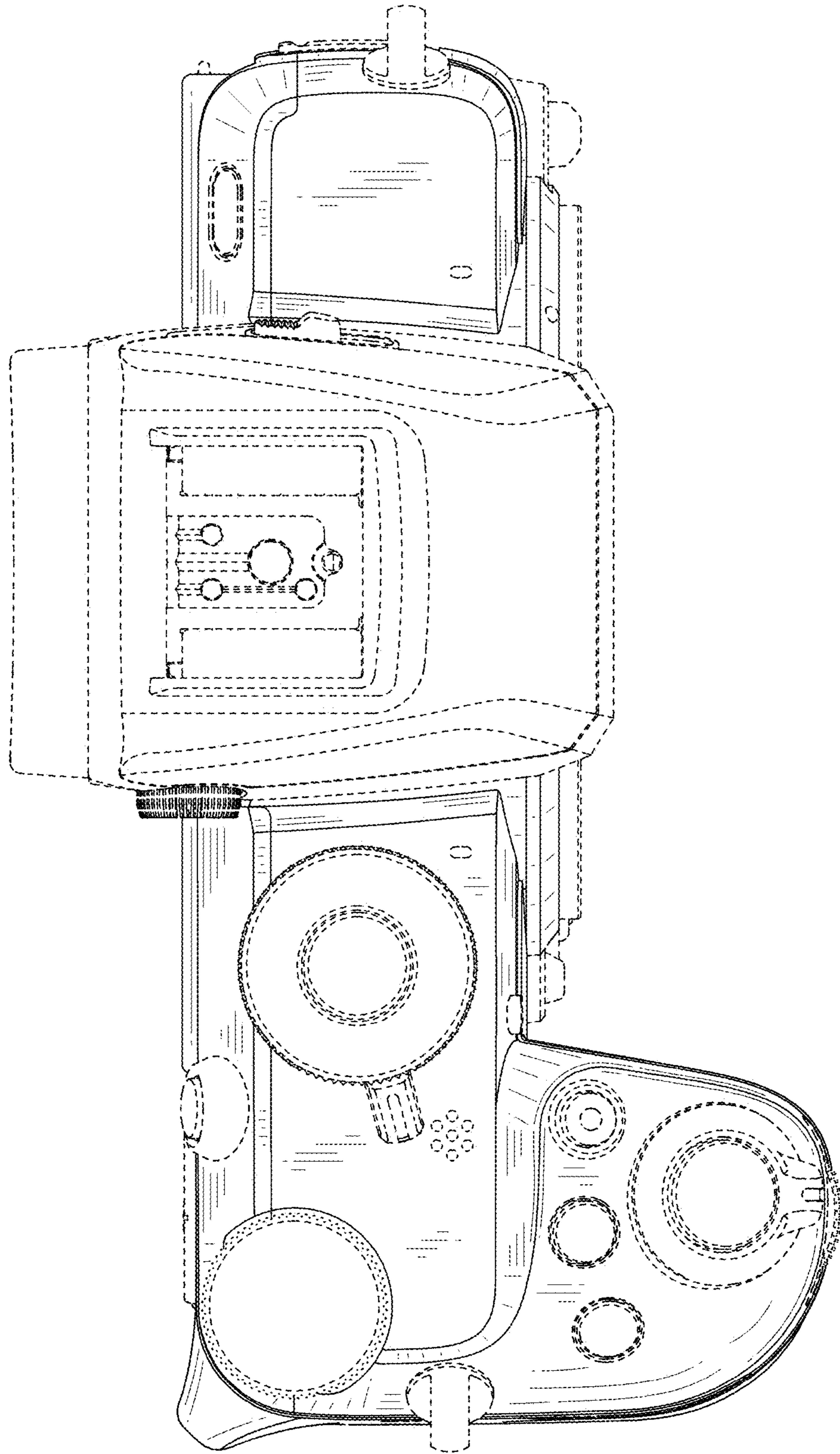


FIG. 5

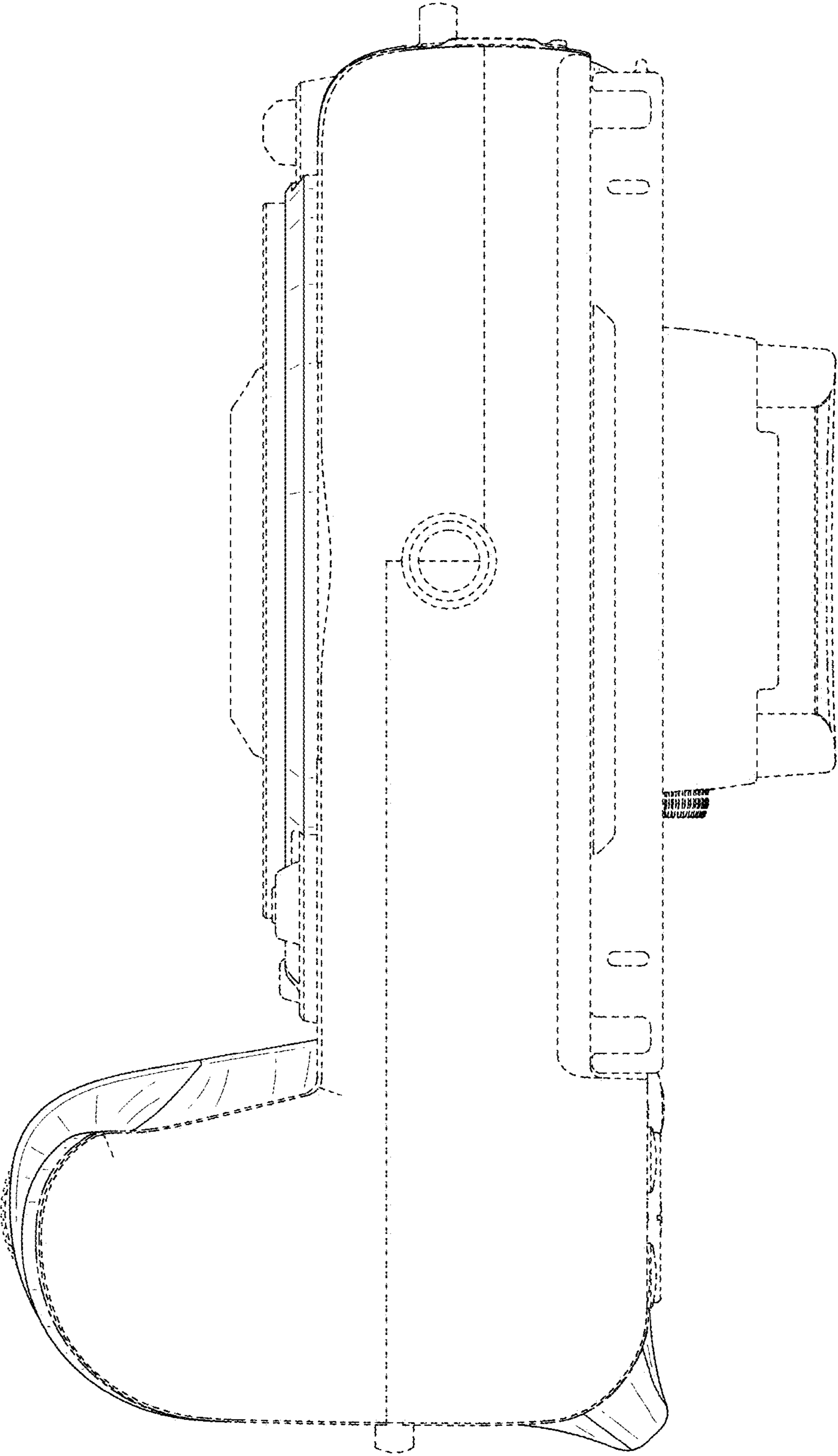


FIG.6

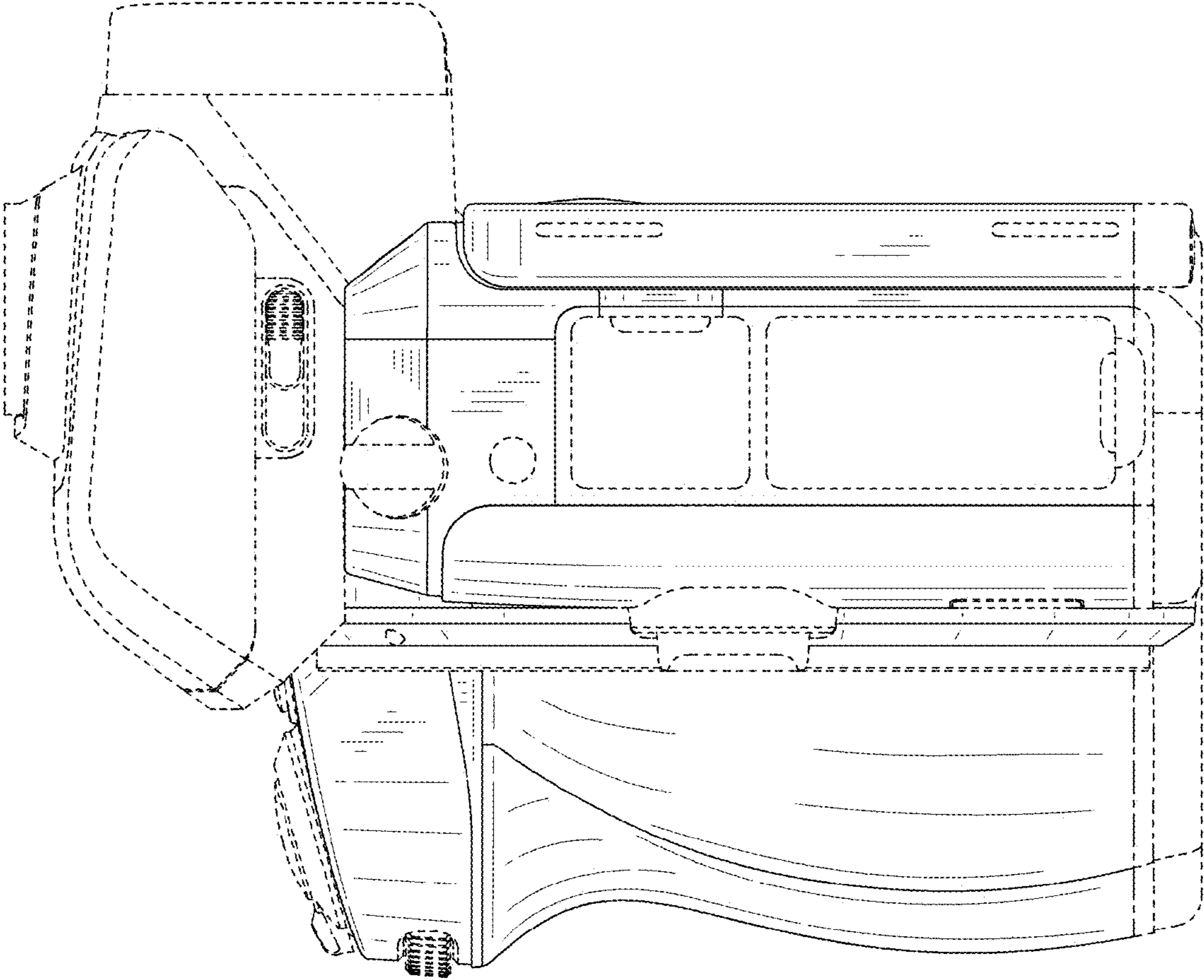


FIG.7

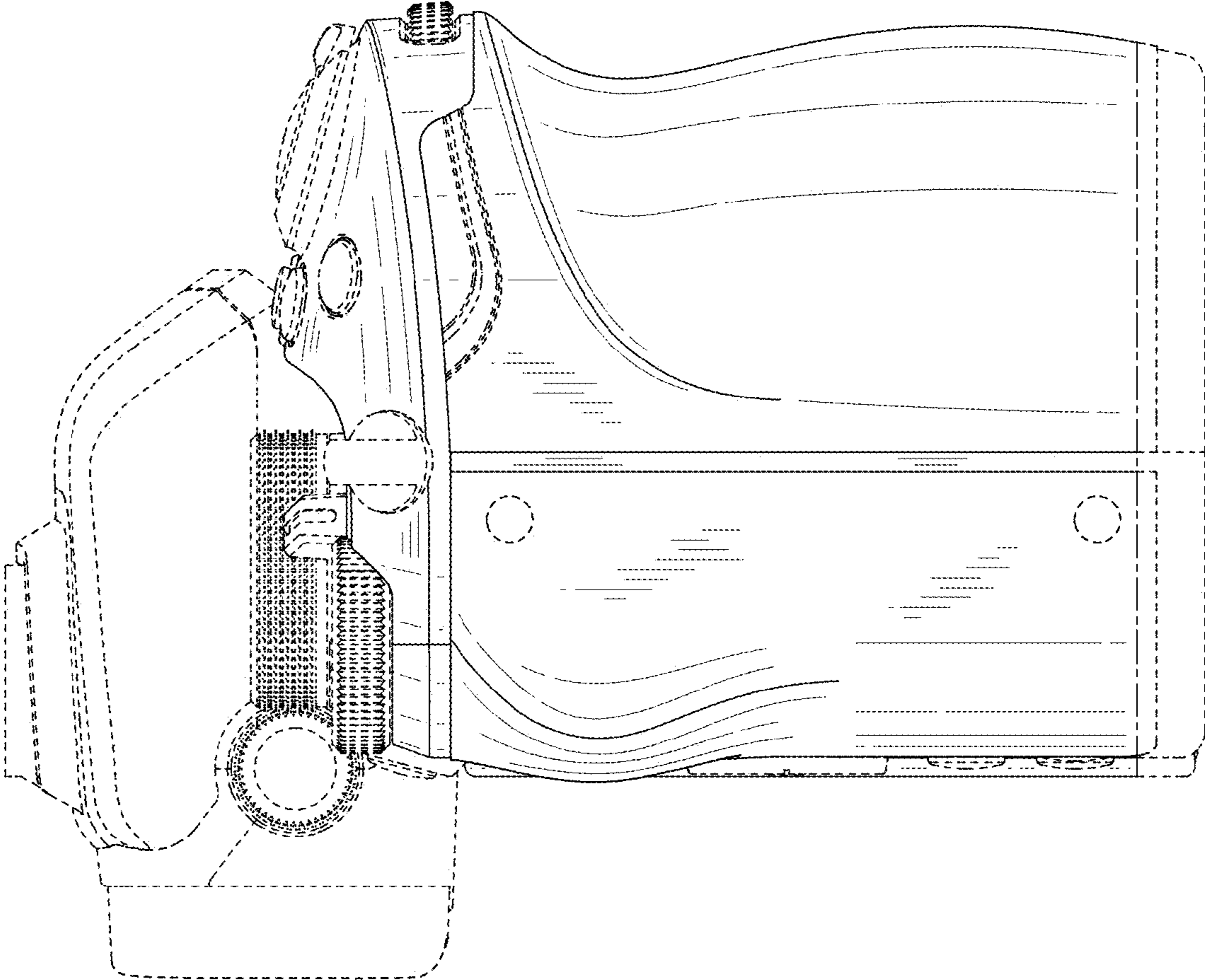


FIG. 8