



US00D925637S

(12) **United States Design Patent** (10) **Patent No.:** **US D925,637 S**
Nakamura (45) **Date of Patent:** **** Jul. 20, 2021**

(54) **AUTONOMOUS MOBILE ROBOT**

FOREIGN PATENT DOCUMENTS

(71) Applicant: **Soichiro Nakamura**, Tokyo (JP)

JP 2005242409 A * 9/2005

(72) Inventor: **Soichiro Nakamura**, Tokyo (JP)

WO WO-2017198208 A1 * 11/2017 A47L 11/4061

WO WO-2017198214 A1 * 11/2017 A47L 11/40

(**) Term: **15 Years**

Primary Examiner — Patricia A Palasik

(21) Appl. No.: **29/731,741**

(74) *Attorney, Agent, or Firm* — Fitch, Even, Tabin & Flannery LLP

(22) Filed: **Apr. 17, 2020**

(57) **CLAIM**

(51) **LOC (13) Cl.** **15-09**

I claim the ornamental design for an autonomous mobile robot, as shown and described.

(52) **U.S. Cl.**

USPC **D15/199**

(58) **Field of Classification Search**

DESCRIPTION

USPC D15/199; D21/578–583, 621, 622; D32/21; D34/34

CPC B25J 5/007; B25J 11/00; B25J 11/008; B62D 57/024; G06N 3/008; Y10S 901/01

See application file for complete search history.

(56) **References Cited**

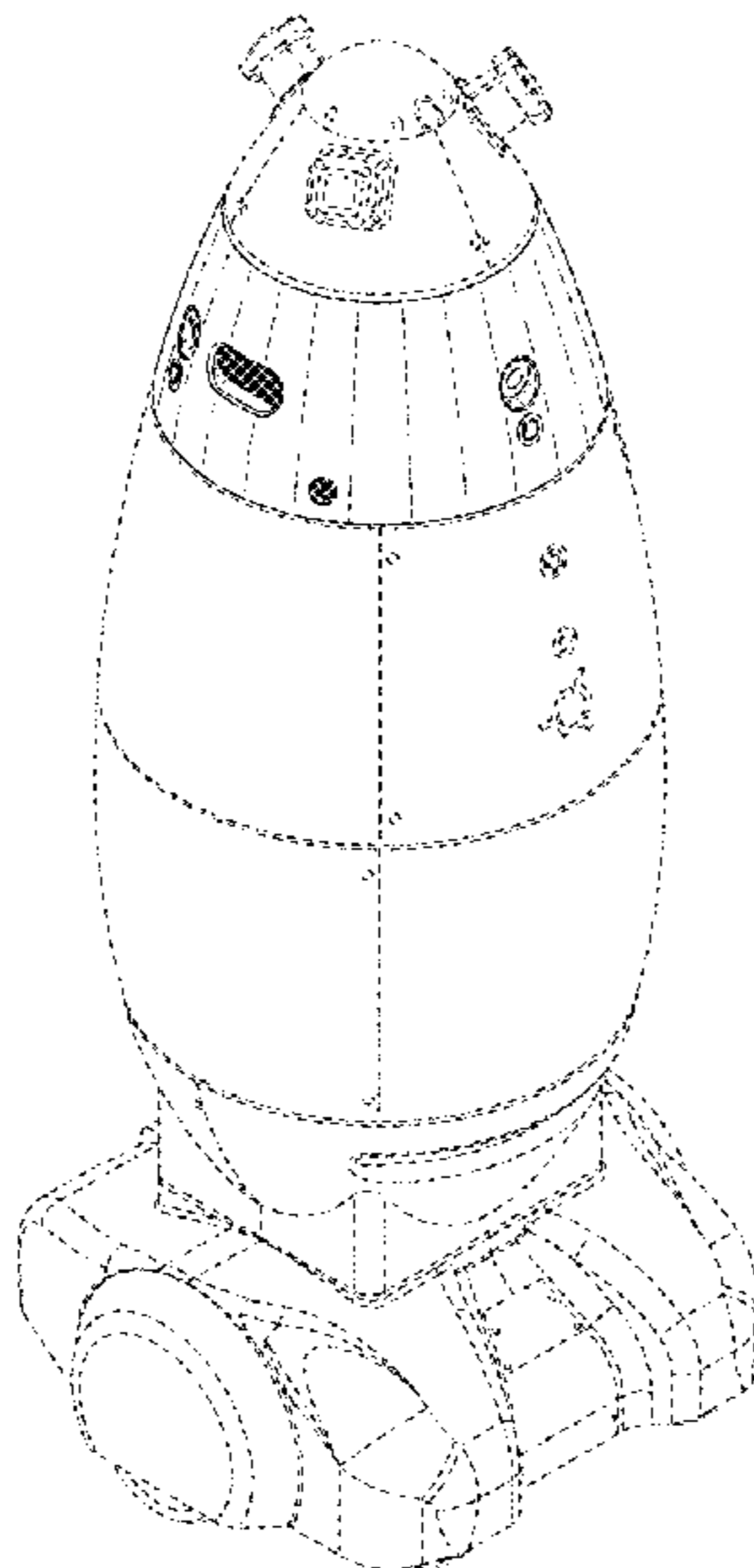
U.S. PATENT DOCUMENTS

D90,840 S *	10/1933	Ferris	D21/451
D173,771 S *	12/1954	Thieblot	D12/332
D174,817 S *	5/1955	Kenyon, II	D21/389
D183,564 S *	9/1958	Erstad	D7/594
D185,870 S *	8/1959	Apostolescu	D21/452
4,149,932 A *	4/1979	Jacobs	G21C 17/01 376/249
D438,914 S *	3/2001	O'Rourke	D21/452
D509,261 S *	9/2005	Tebbe	D21/452
D624,971 S *	10/2010	Cohen	D21/452
D635,603 S *	4/2011	Paz Rodriguez	D15/199
D722,631 S *	2/2015	Stone	D15/199
D810,167 S *	2/2018	Yang	D15/199
D813,284 S *	3/2018	Wei	D15/199
D813,285 S *	3/2018	Wei	D15/199
D829,250 S *	9/2018	Zilbershtein	D15/199
D829,252 S *	9/2018	Wang	D15/199
D829,793 S *	10/2018	Wang	D15/199
D840,453 S *	2/2019	Yoo	D21/451
D841,067 S *	2/2019	Camporesi	D15/199

(Continued)

FIG. 1 is a front perspective view of an autonomous mobile robot, showing my new design;
 FIG. 2 is a rear perspective view thereof;
 FIG. 3 is a front elevational view thereof;
 FIG. 4 is a rear elevational view thereof;
 FIG. 5 is a top plan view thereof;
 FIG. 6 is a bottom plan view thereof;
 FIG. 7 is a right side elevational view thereof;
 FIG. 8 is a left side elevational view thereof; and
 FIG. 9 is an enlarged front elevational view of the 9-9 portion of FIG. 3;
 FIG. 10 is an enlarged rear elevational view of the 10-10 portion of FIG. 4;
 FIG. 11 is an enlarged right side elevational view of the 11-11 portion of FIG. 7;
 FIG. 12 is an enlarged left side elevational view of the 12-12 portion of FIG. 8;
 FIG. 13 is a cross-sectional view taken along line 13-13 of FIG. 9 in which internal mechanisms are omitted; and,
 FIG. 14 is a cross-sectional view taken along line 14-14 of FIG. 9 in which internal mechanisms are omitted.
 The dashed broken lines show portions of the autonomous mobile robot that form no part of the claimed design.

1 Claim, 14 Drawing Sheets



(56)

References Cited

U.S. PATENT DOCUMENTS

D851,148 S * 6/2019 Wang D12/332
D856,389 S * 8/2019 Gayne D7/594
D857,074 S * 8/2019 Kim D21/389
D862,550 S * 10/2019 Shu D21/452
D865,021 S * 10/2019 Hu D21/452
2017/0136631 A1* 5/2017 Li G06N 20/00
2017/0326724 A1* 11/2017 Wei G06F 3/0412
2018/0178375 A1* 6/2018 Yang B25J 19/00
2020/0030963 A1* 1/2020 Youn B25J 11/0005
D21/452
2020/0406448 A1* 12/2020 Luo B25J 11/008
D21/452

* cited by examiner

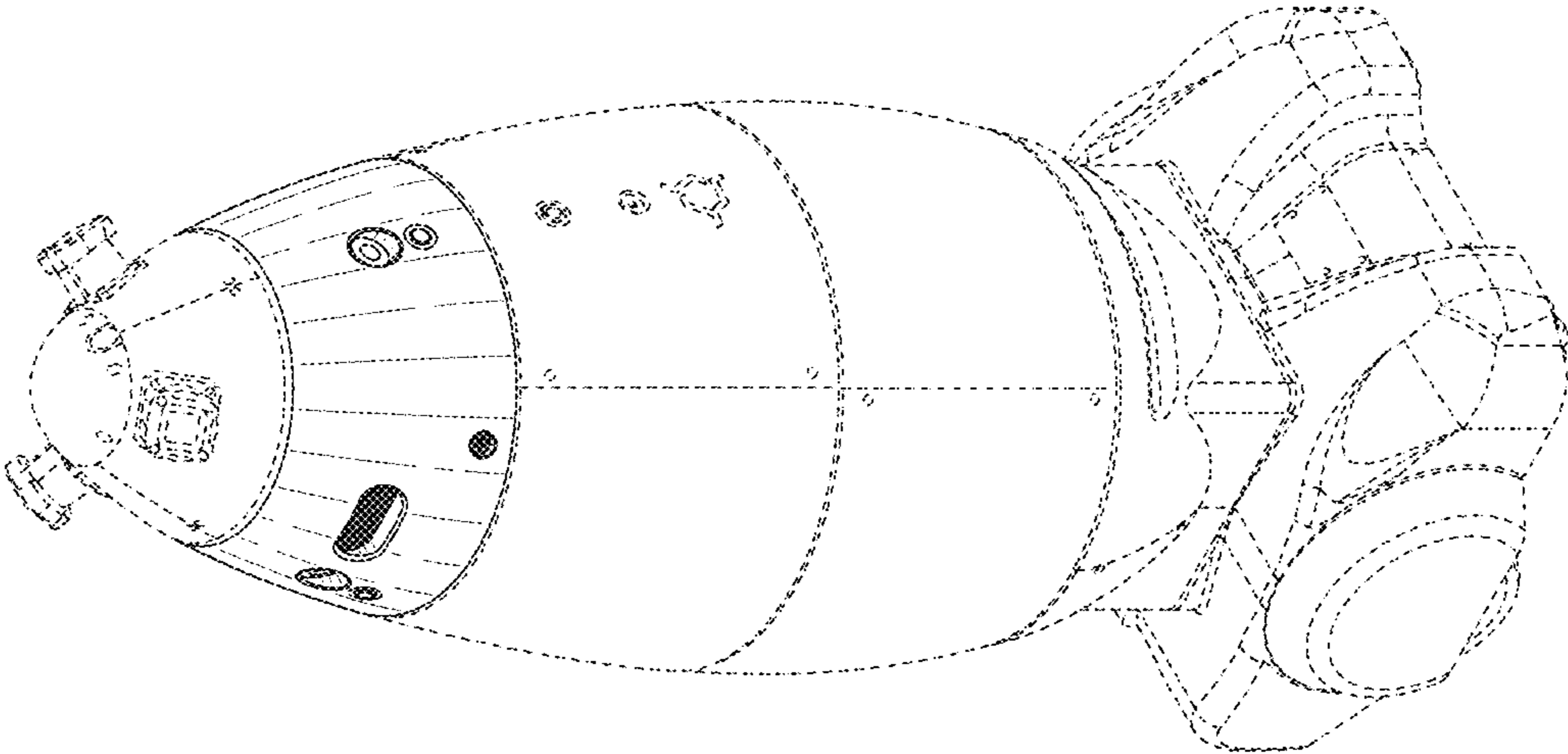


FIG. 1

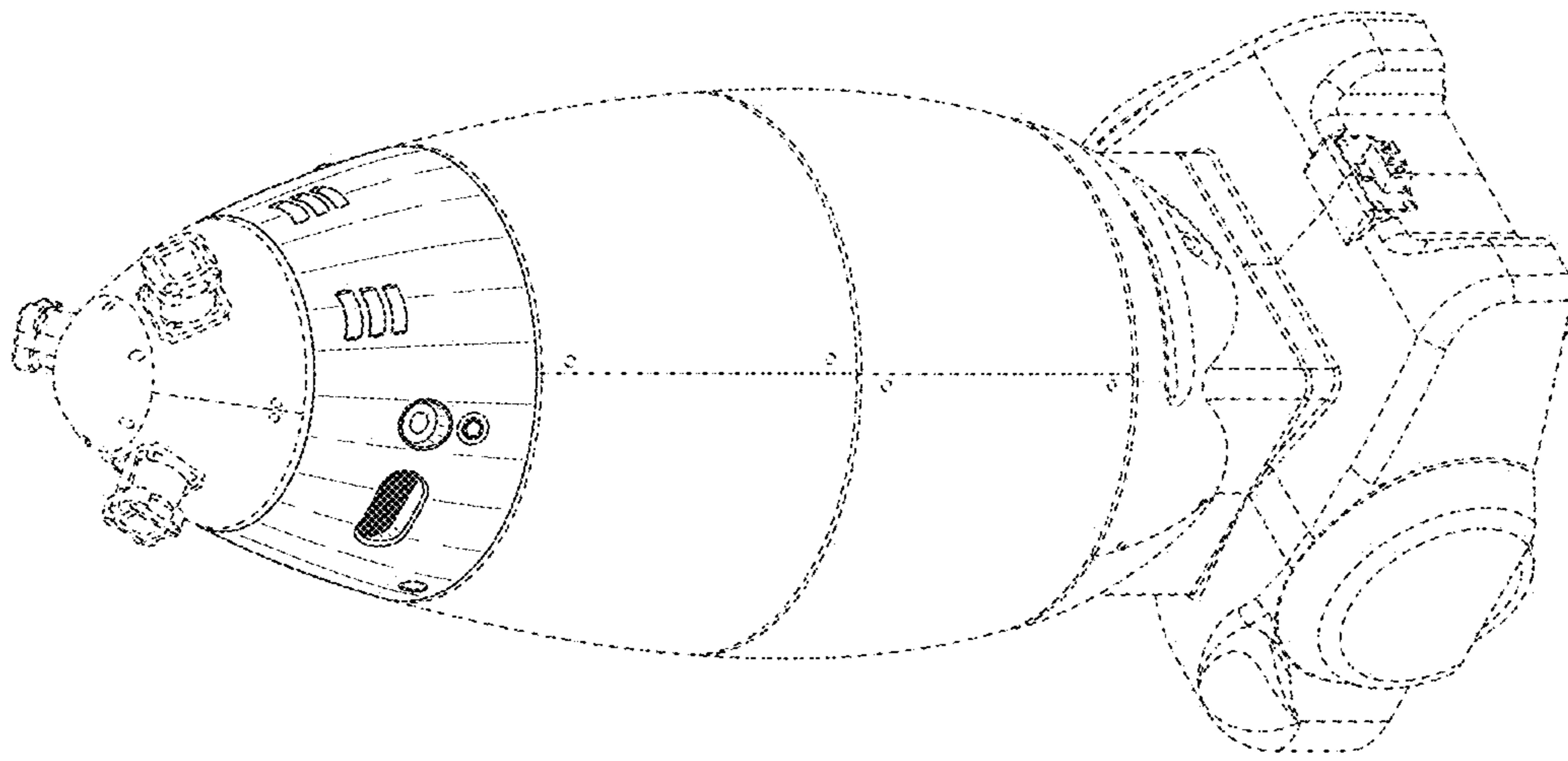


FIG.2

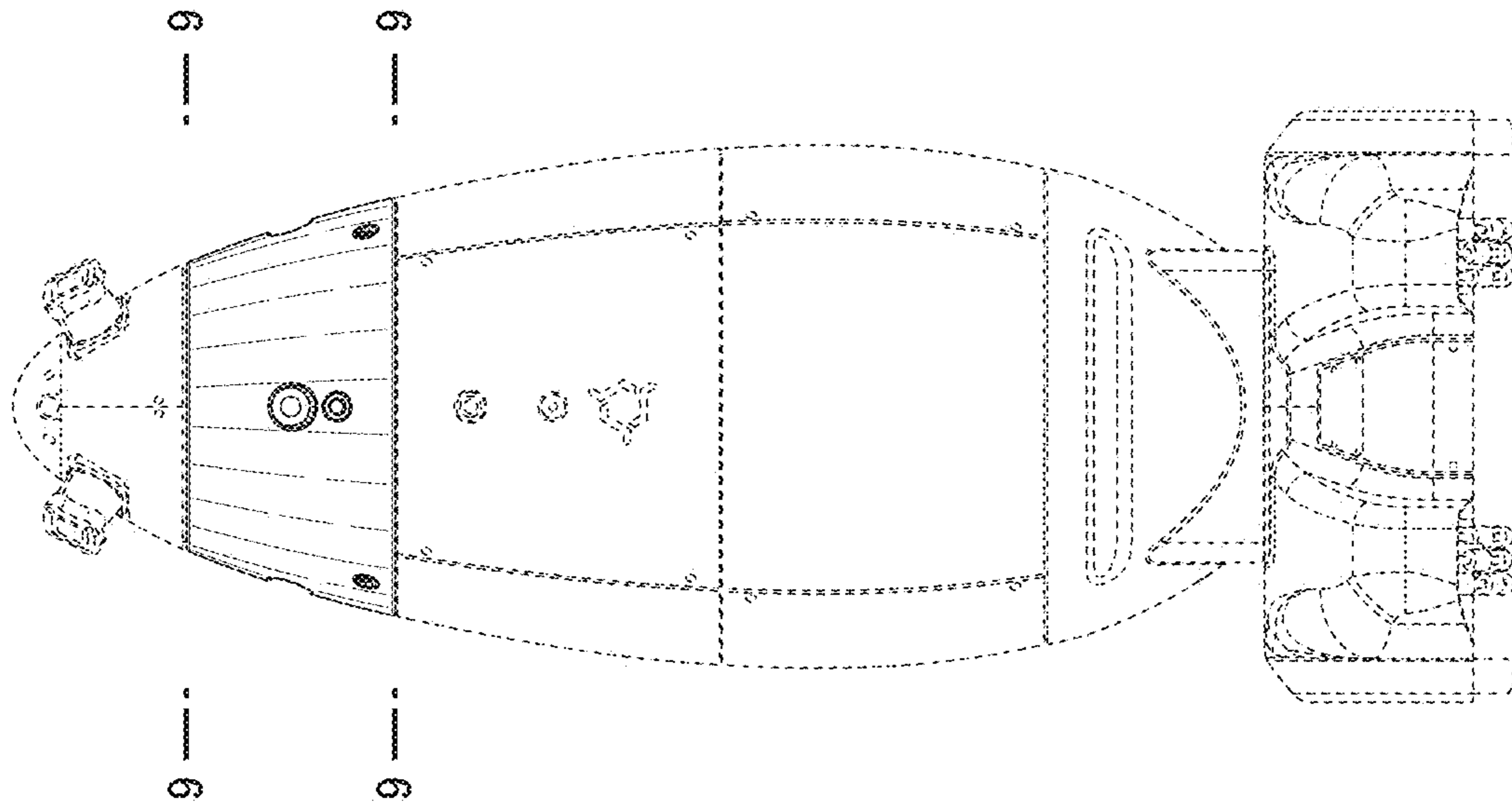


FIG.3

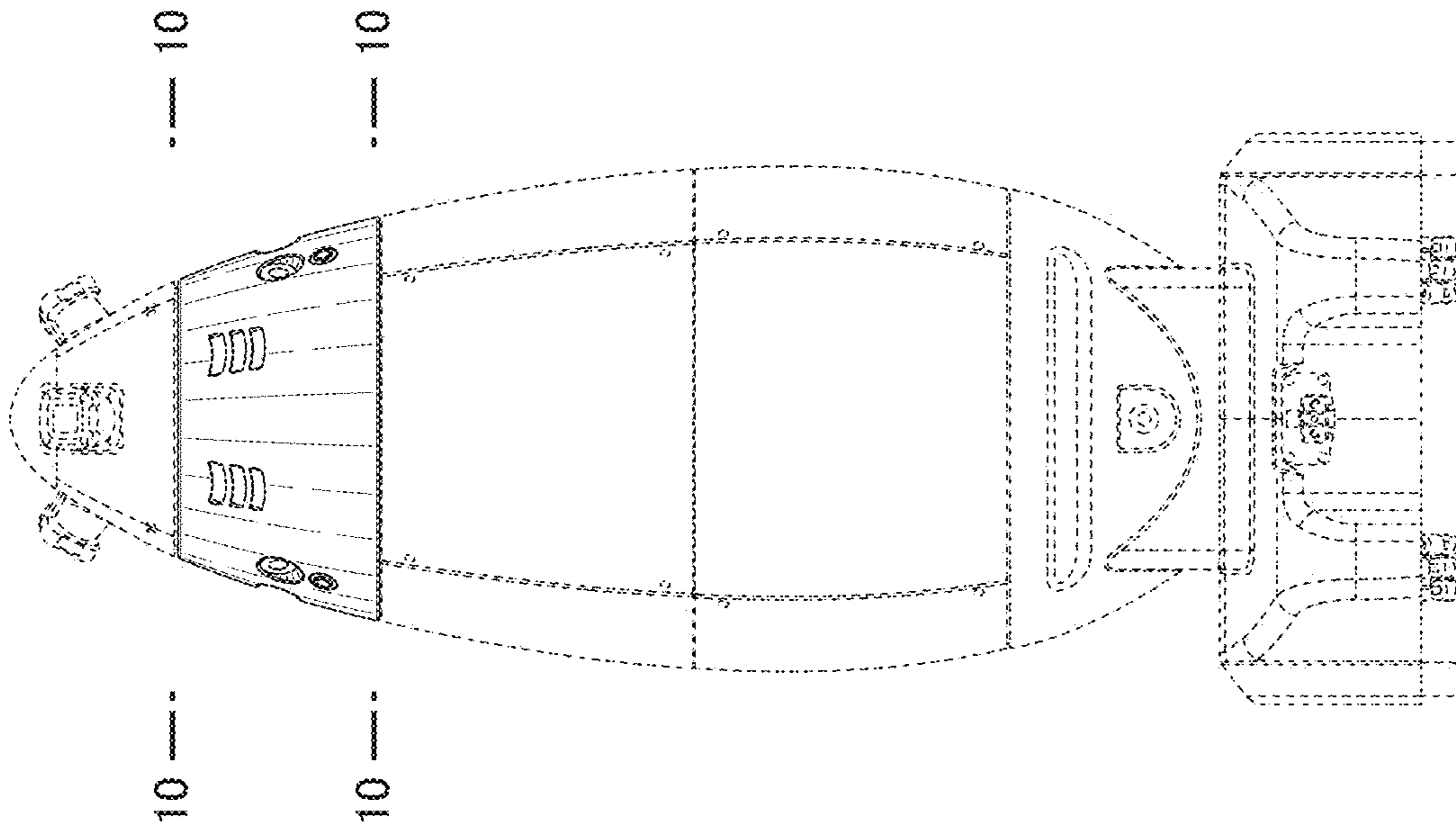


FIG.4

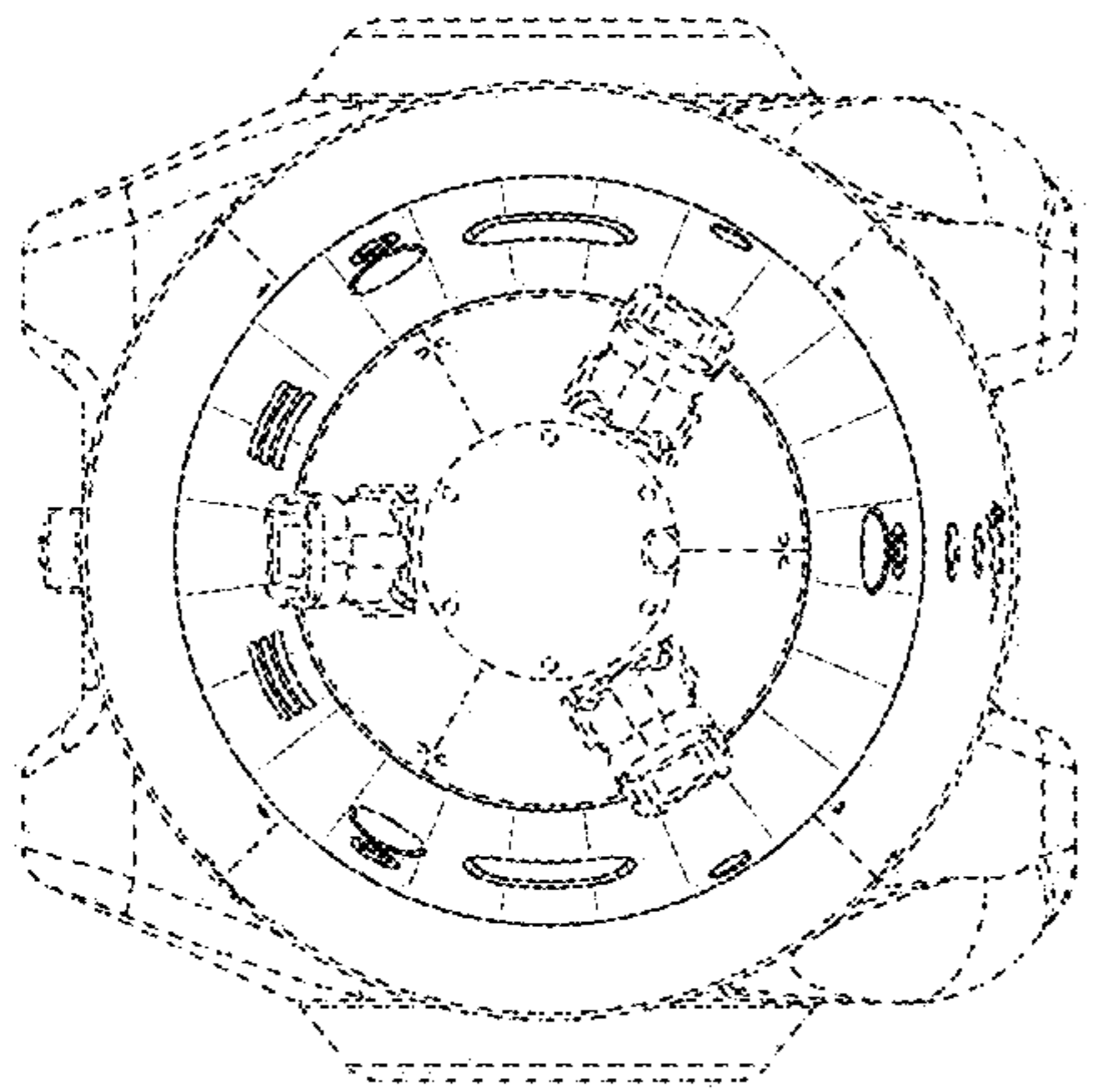


FIG. 5

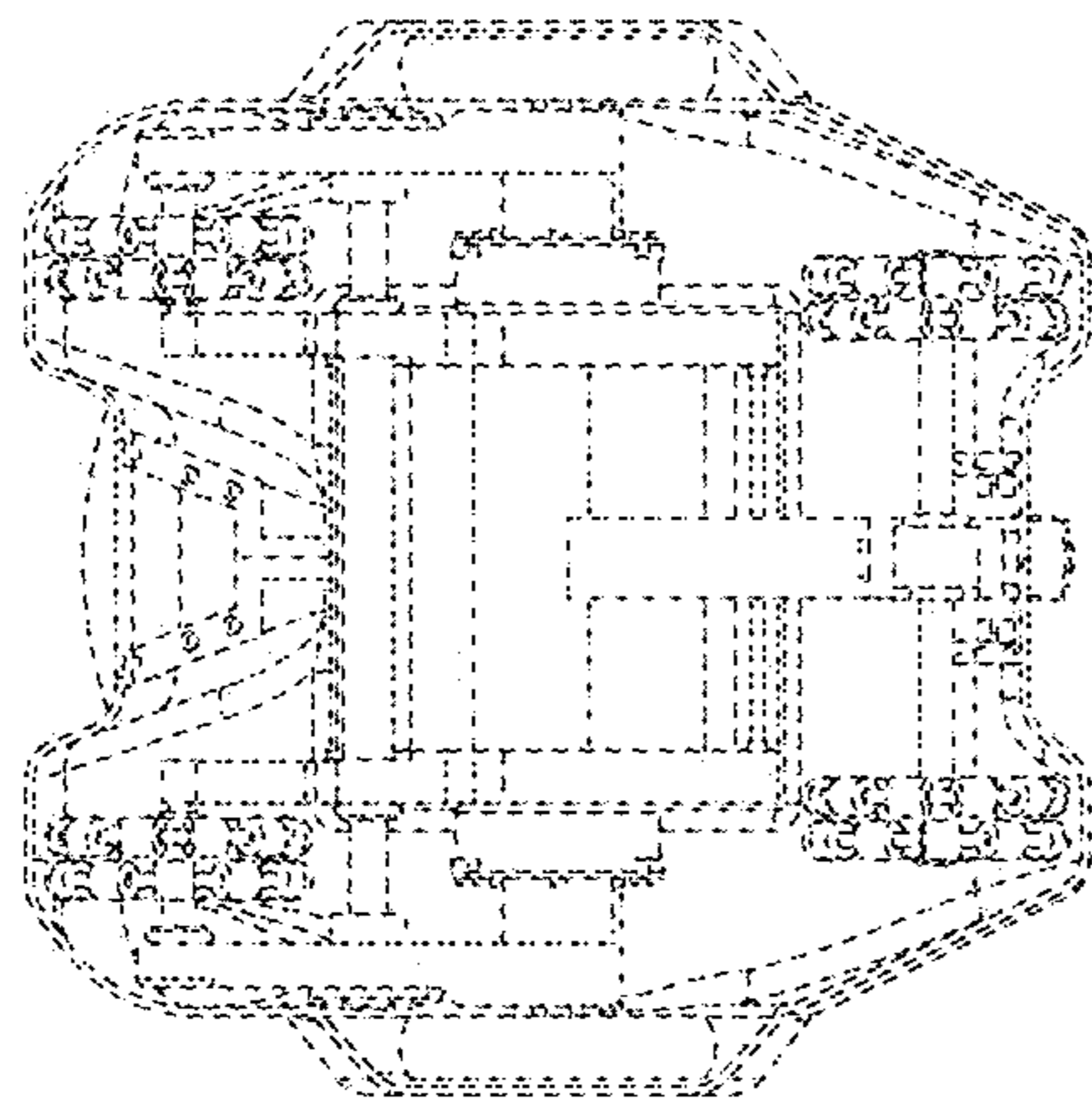
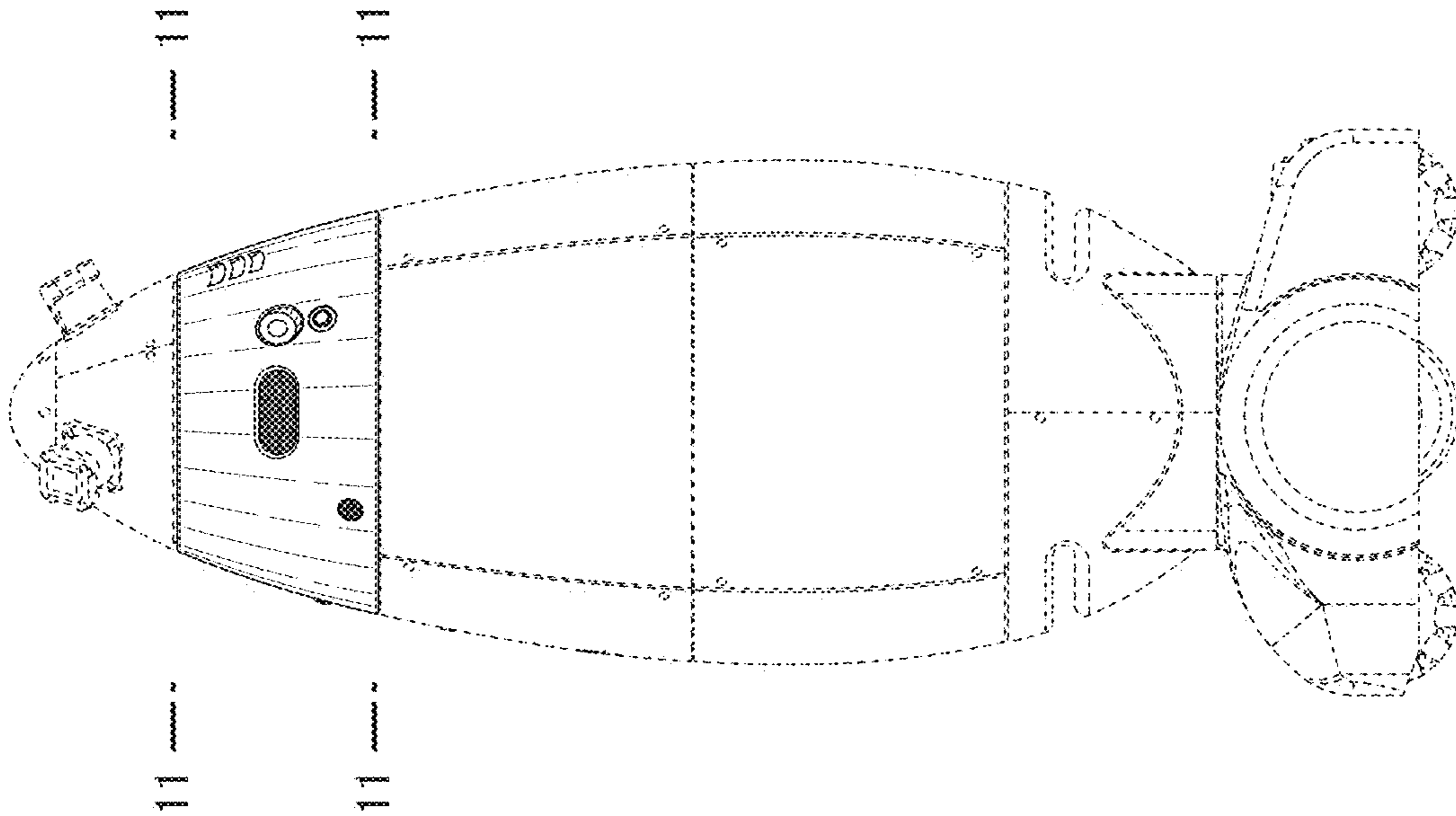


FIG.6



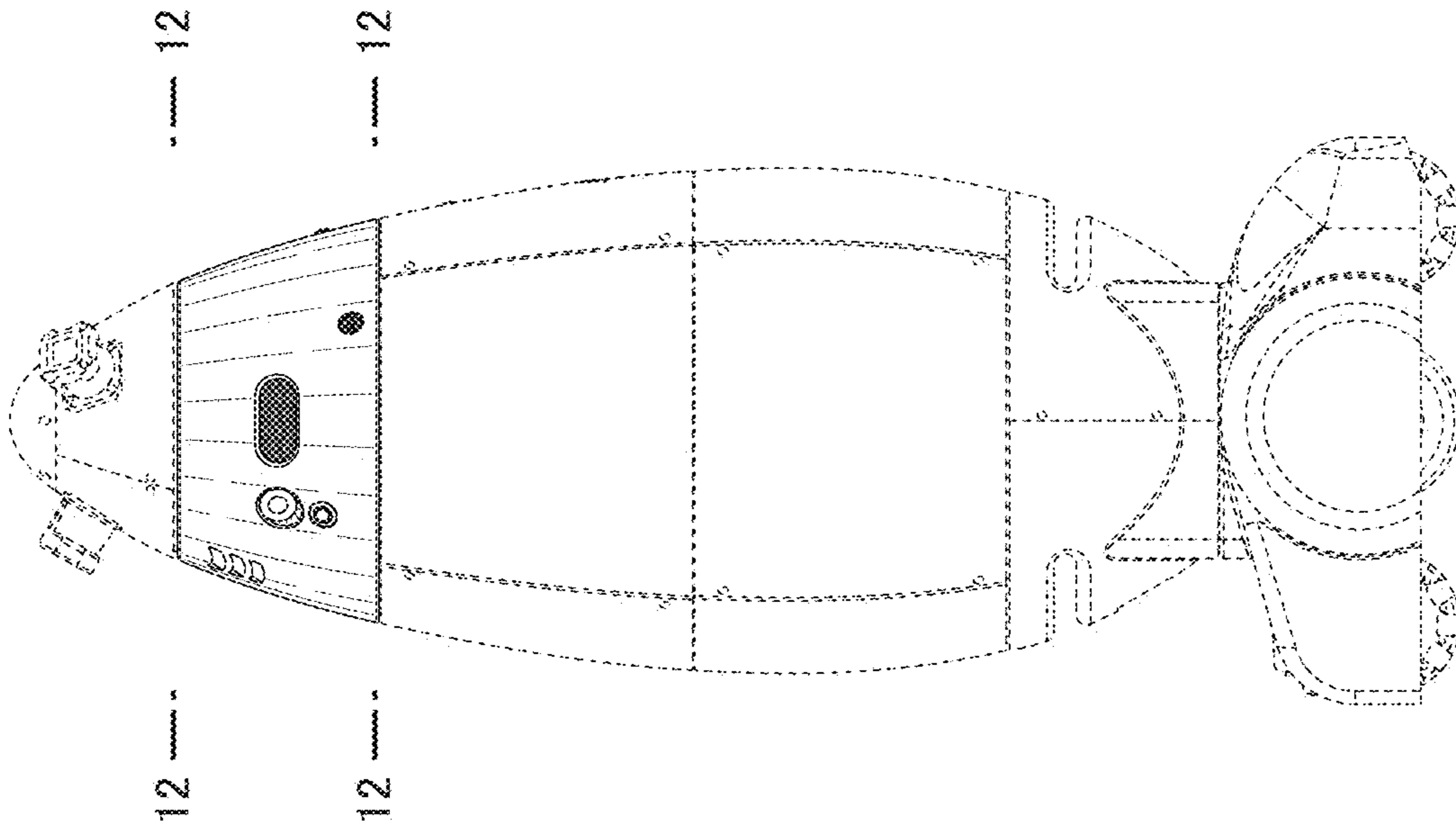


FIG.8

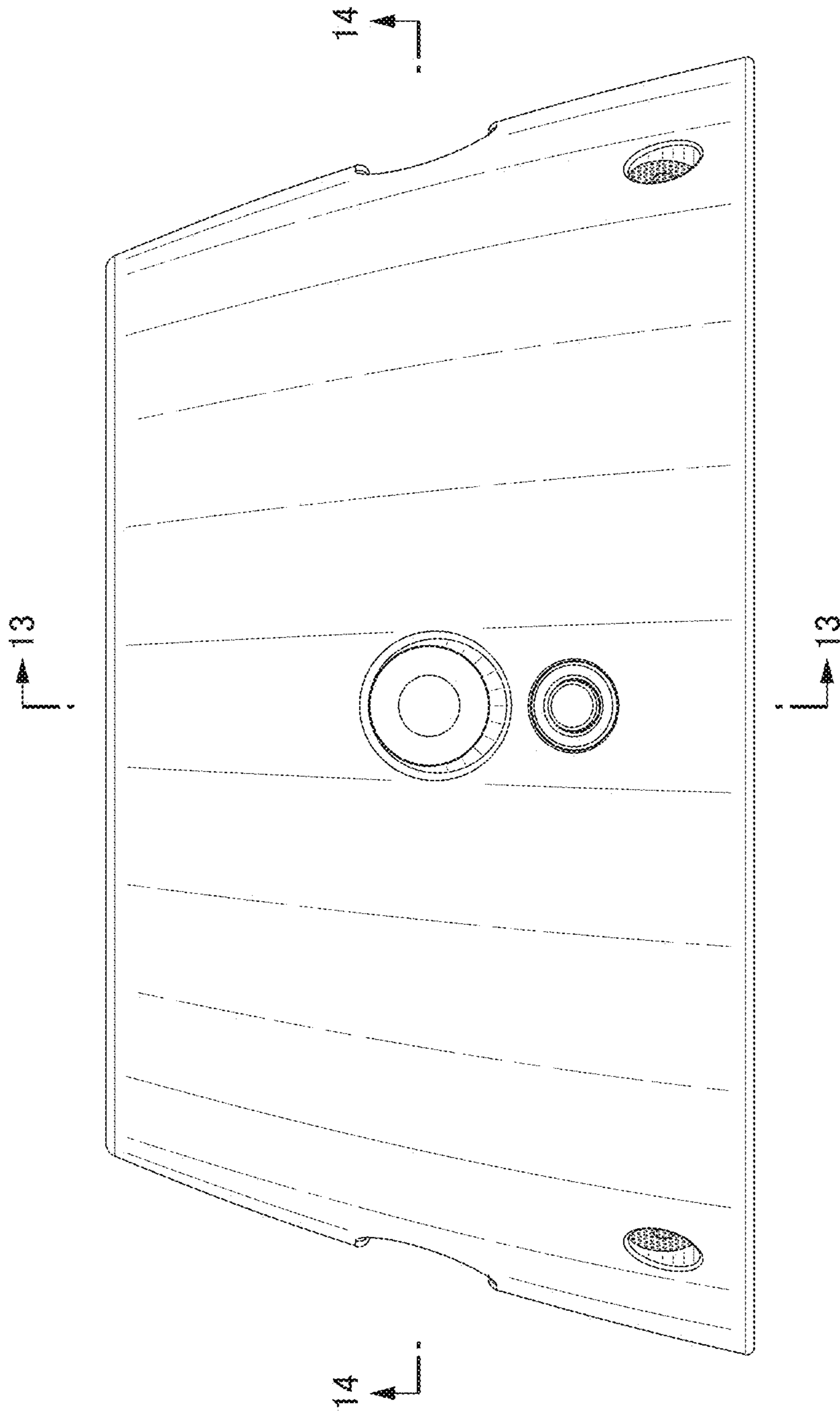


FIG.9

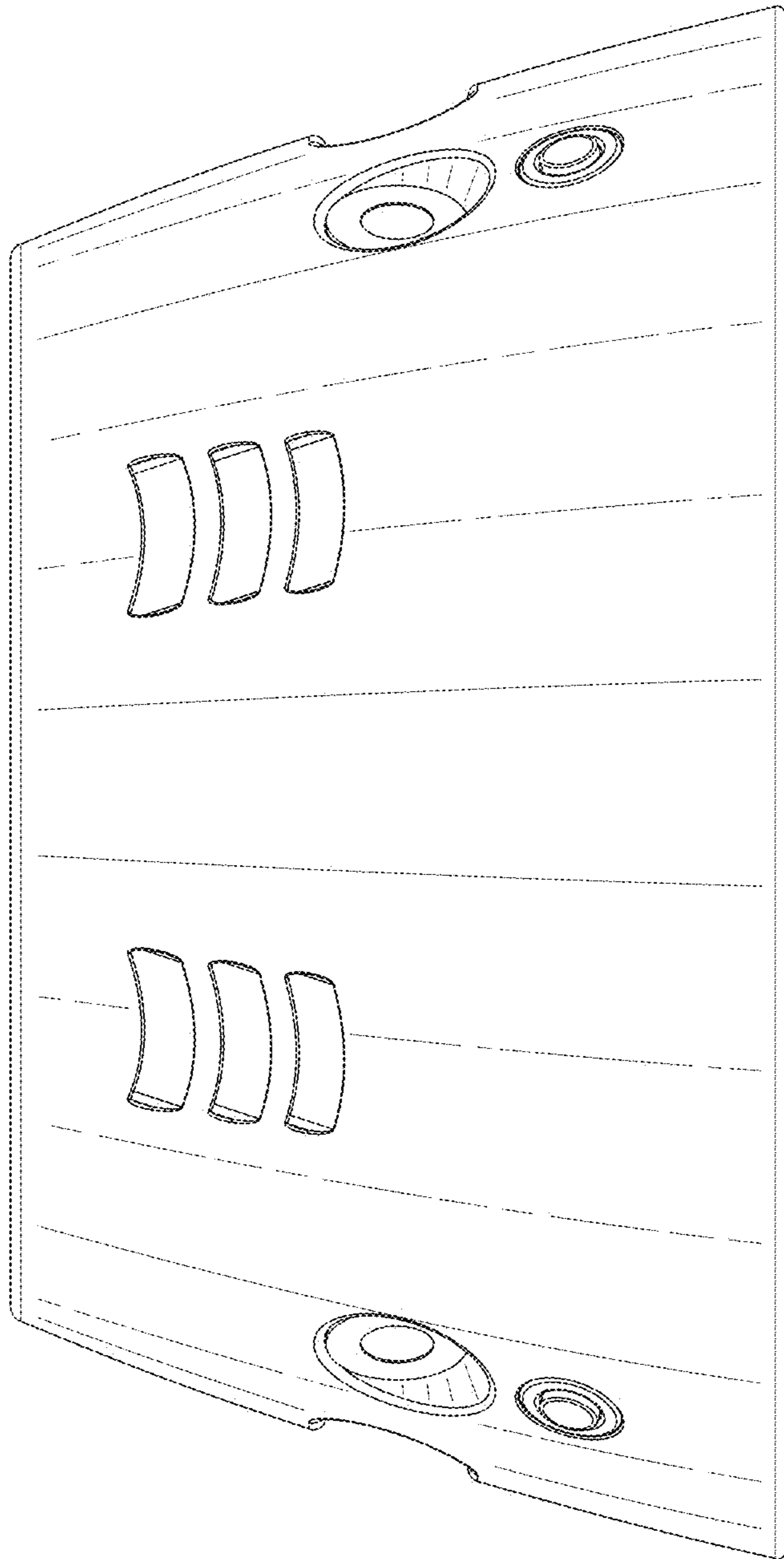


FIG.10

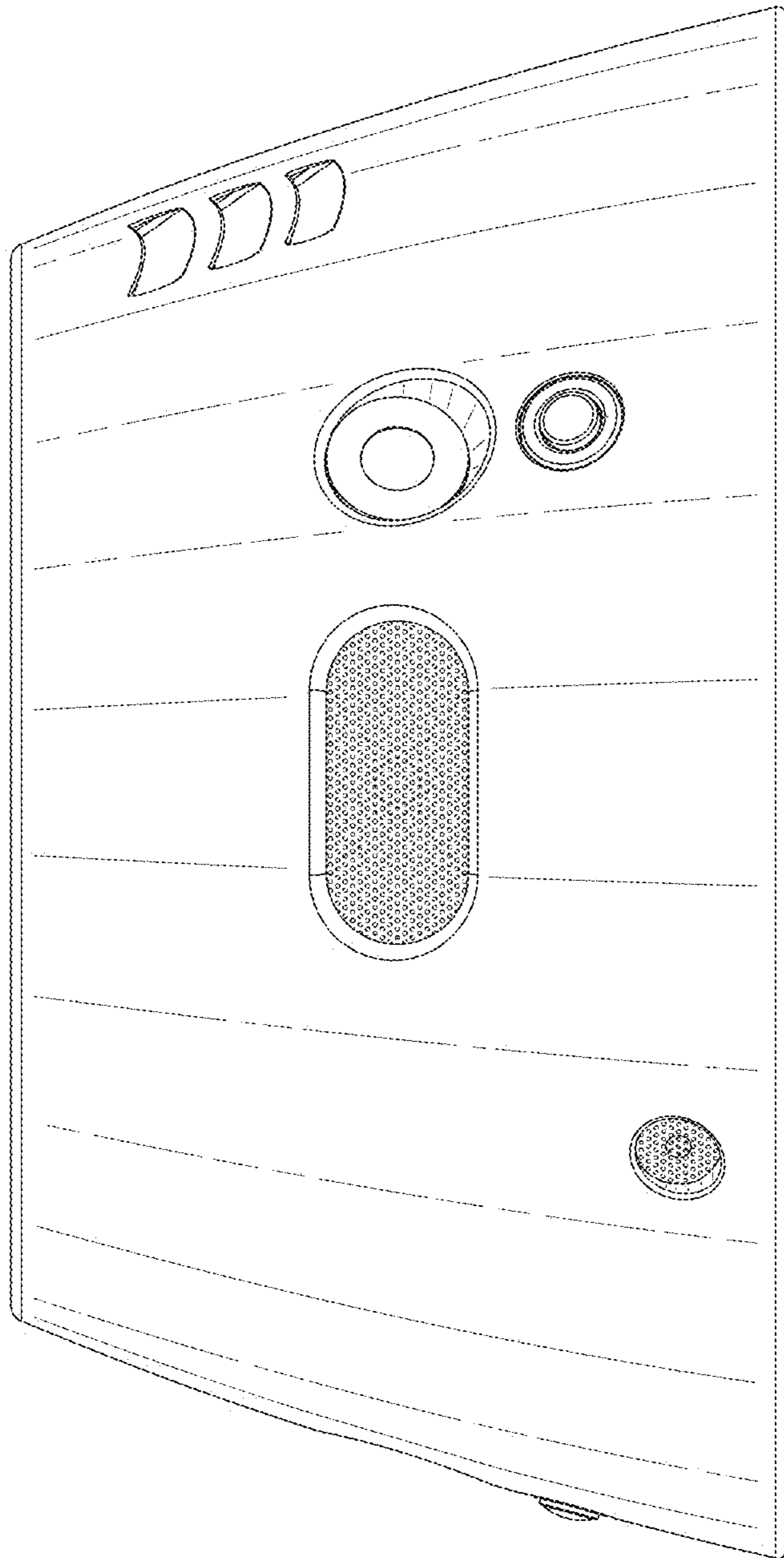


FIG.11

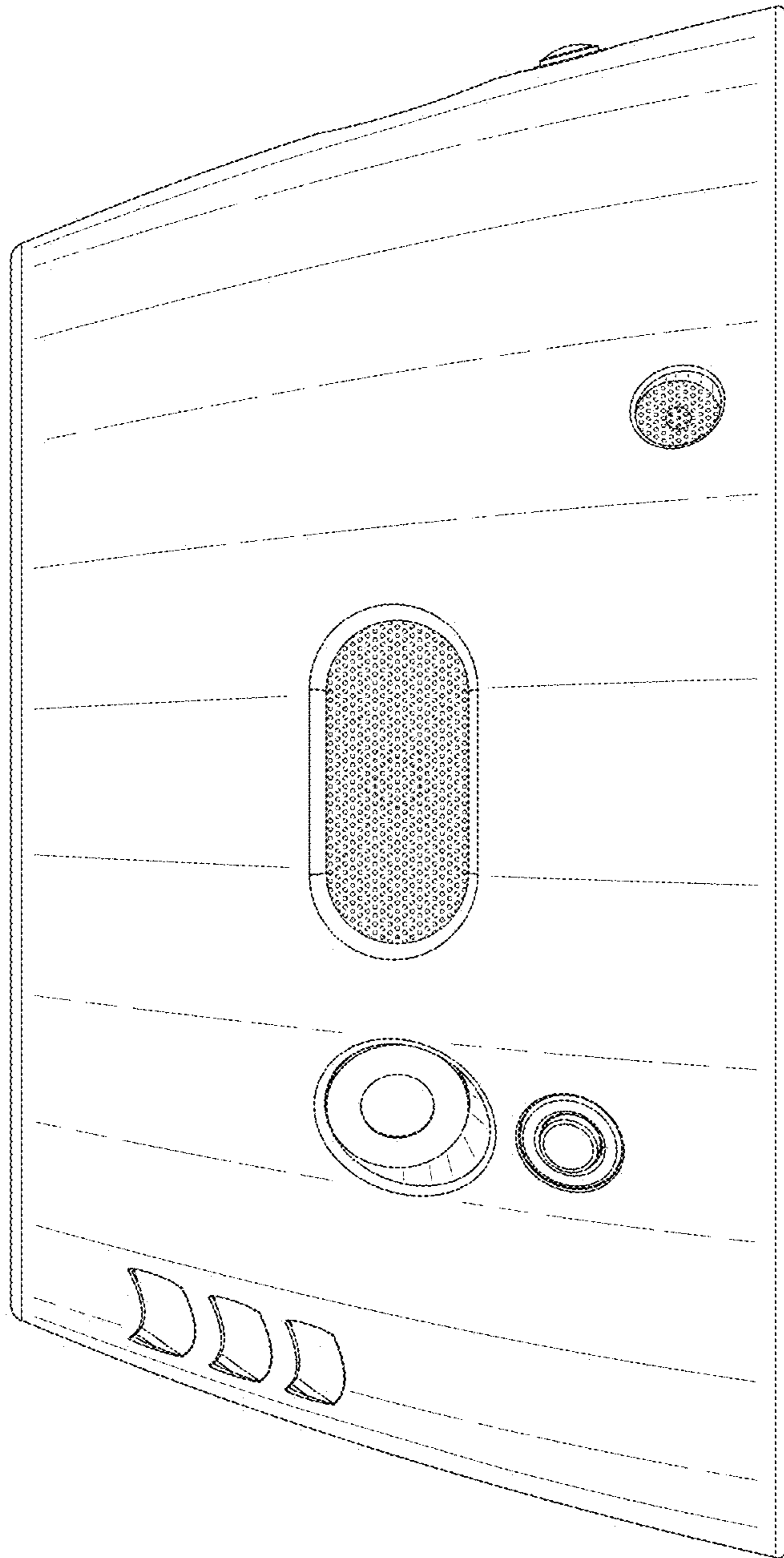


FIG.12

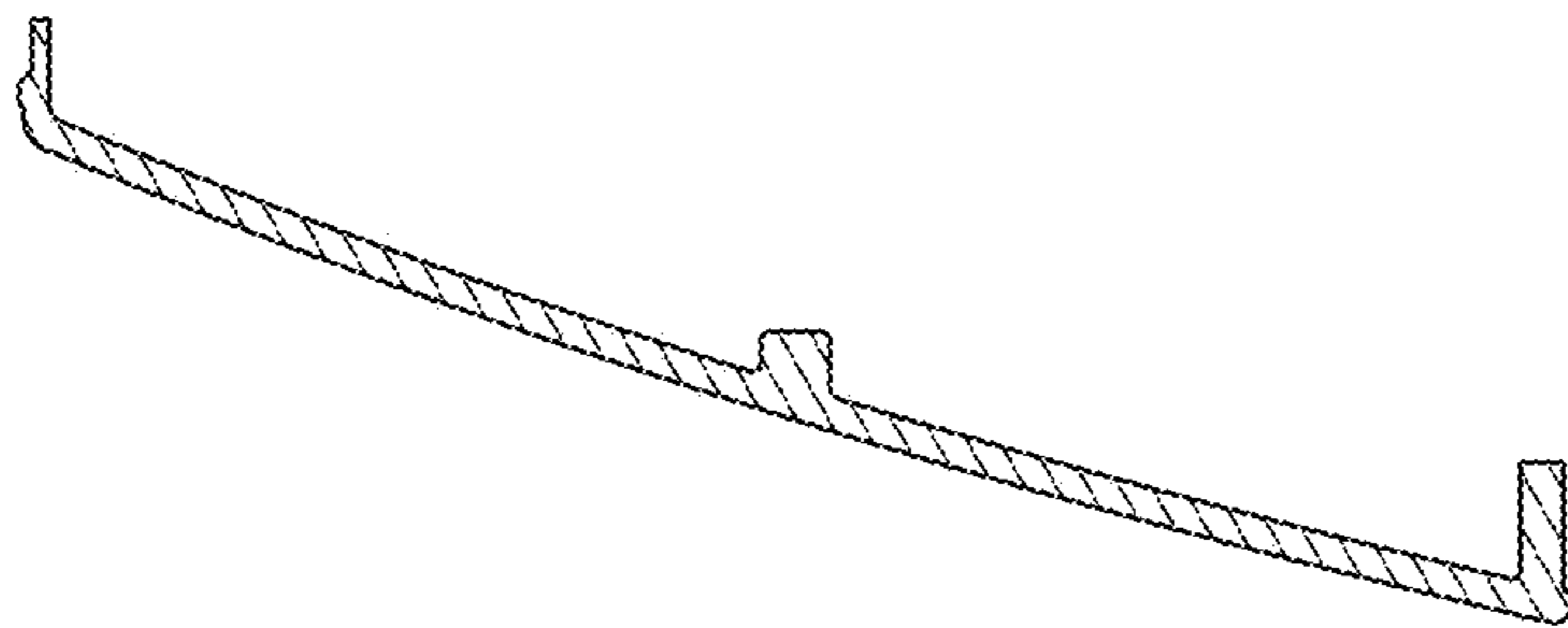
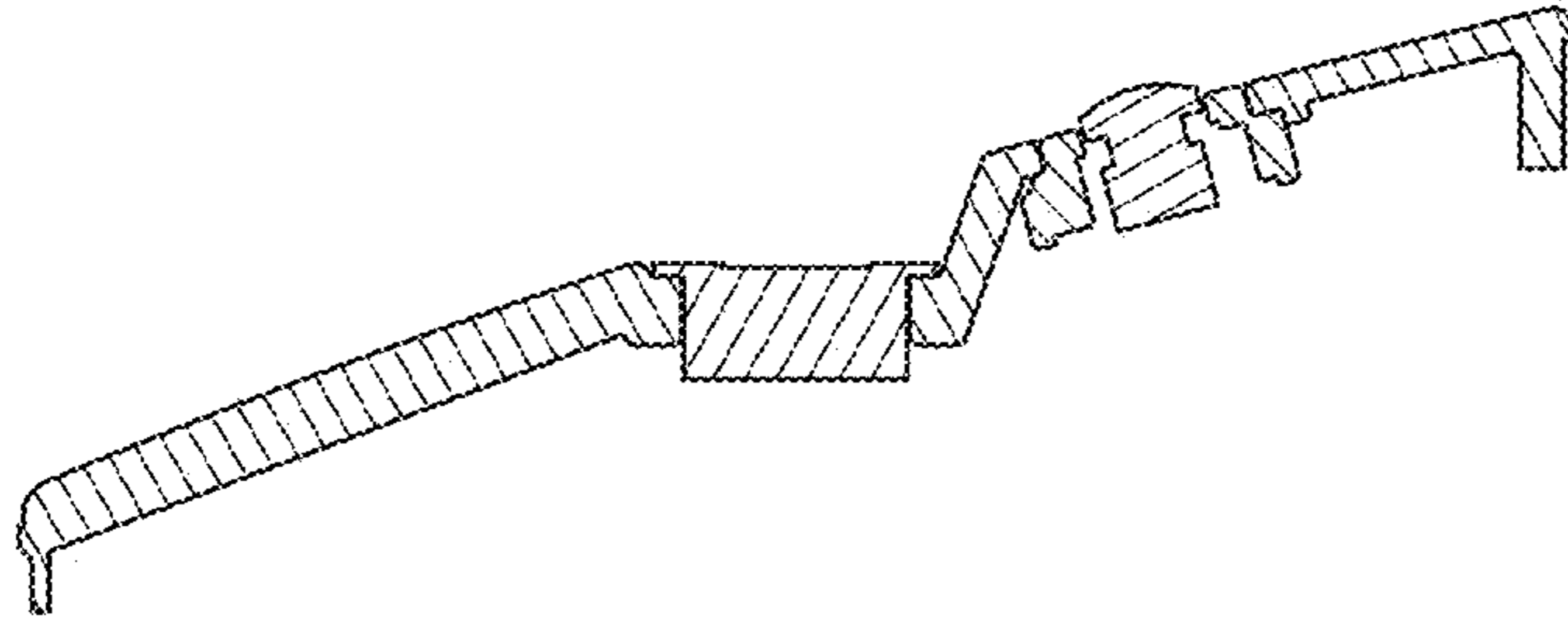


FIG.13

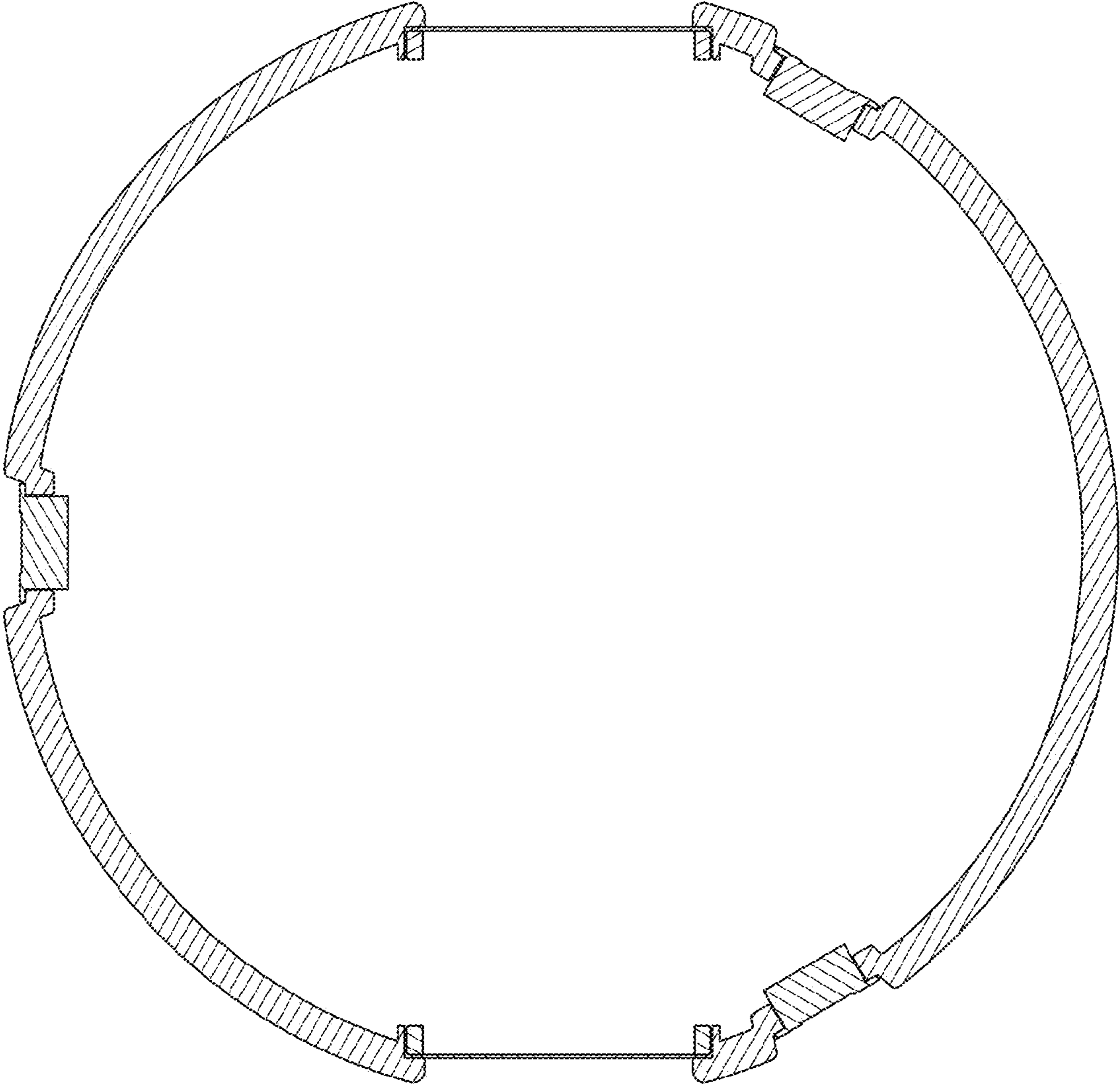


FIG.14