

US00D925636S

(12) **United States Design Patent** (10) **Patent No.:** **US D925,636 S**  
**Nakamura** (45) **Date of Patent:** **\*\* Jul. 20, 2021**

(54) **AUTONOMOUS MOBILE ROBOT**  
(71) Applicant: **Soichiro Nakamura**, Tokyo (JP)  
(72) Inventor: **Soichiro Nakamura**, Tokyo (JP)  
(\*\*) Term: **15 Years**  
(21) Appl. No.: **29/731,738**  
(22) Filed: **Apr. 17, 2020**

D829,250 S \* 9/2018 Zilbershtein ..... D15/199  
D829,252 S \* 9/2018 Wang ..... D15/199  
D829,793 S \* 10/2018 Wang ..... D15/199  
D840,453 S \* 2/2019 Yoo ..... D21/451  
D841,067 S \* 2/2019 Camporesi ..... D15/199  
D851,148 S \* 6/2019 Wang ..... D12/332  
D856,389 S \* 8/2019 Gayne ..... D7/594  
D857,074 S \* 8/2019 Kim ..... D21/389  
D862,550 S \* 10/2019 Shu ..... D21/452  
D865,021 S \* 10/2019 Hu ..... D21/452  
2017/0136631 A1 \* 5/2017 Li ..... G06N 20/00  
2017/0326724 A1 \* 11/2017 Wei ..... G06F 3/0412  
2018/0178375 A1 \* 6/2018 Yang ..... B25J 19/00

(Continued)

(30) **Foreign Application Priority Data**

Oct. 18, 2019 (JP) ..... 2019-023250  
(51) **LOC (13) Cl.** ..... **15-99**  
(52) **U.S. Cl.**  
USPC ..... **D15/199**  
(58) **Field of Classification Search**  
USPC ..... D15/199; D21/578-583, 621, 622;  
D32/21; D34/34  
CPC ..... B25J 5/007; B25J 11/00; B25J 11/008;  
B62D 57/024; G06N 3/008; Y10S 901/01  
See application file for complete search history.

(56) **References Cited**

**U.S. PATENT DOCUMENTS**

D90,840 S \* 10/1933 Ferris ..... D21/451  
D173,771 S \* 12/1954 Thieblot ..... D12/332  
D174,817 S \* 5/1955 Kenyon, II ..... D21/389  
D183,564 S \* 9/1958 Erstad ..... D7/594  
D185,870 S \* 8/1959 Apostolescu ..... D21/452  
4,149,932 A \* 4/1979 Jacobs ..... G21C 17/01  
376/249  
D438,914 S \* 3/2001 O'Rourke ..... D21/452  
D509,261 S \* 9/2005 Tebbe ..... D21/452  
D624,971 S \* 10/2010 Cohen ..... D21/452  
D635,603 S \* 4/2011 Paz Rodriguez ..... D15/199  
D722,631 S \* 2/2015 Stone ..... D15/199  
D810,167 S \* 2/2018 Yang ..... D15/199  
D813,284 S \* 3/2018 Wei ..... D15/199  
D813,285 S \* 3/2018 Wei ..... D15/199

**FOREIGN PATENT DOCUMENTS**

JP 2005242409 A \* 9/2005  
WO WO-2017198208 A1 \* 11/2017 ..... A47L 11/4061  
WO WO-2017198214 A1 \* 11/2017 ..... A47L 11/40

*Primary Examiner* — Patricia A Palasik  
(74) *Attorney, Agent, or Firm* — Fitch, Even, Tabin & Flannery LLP

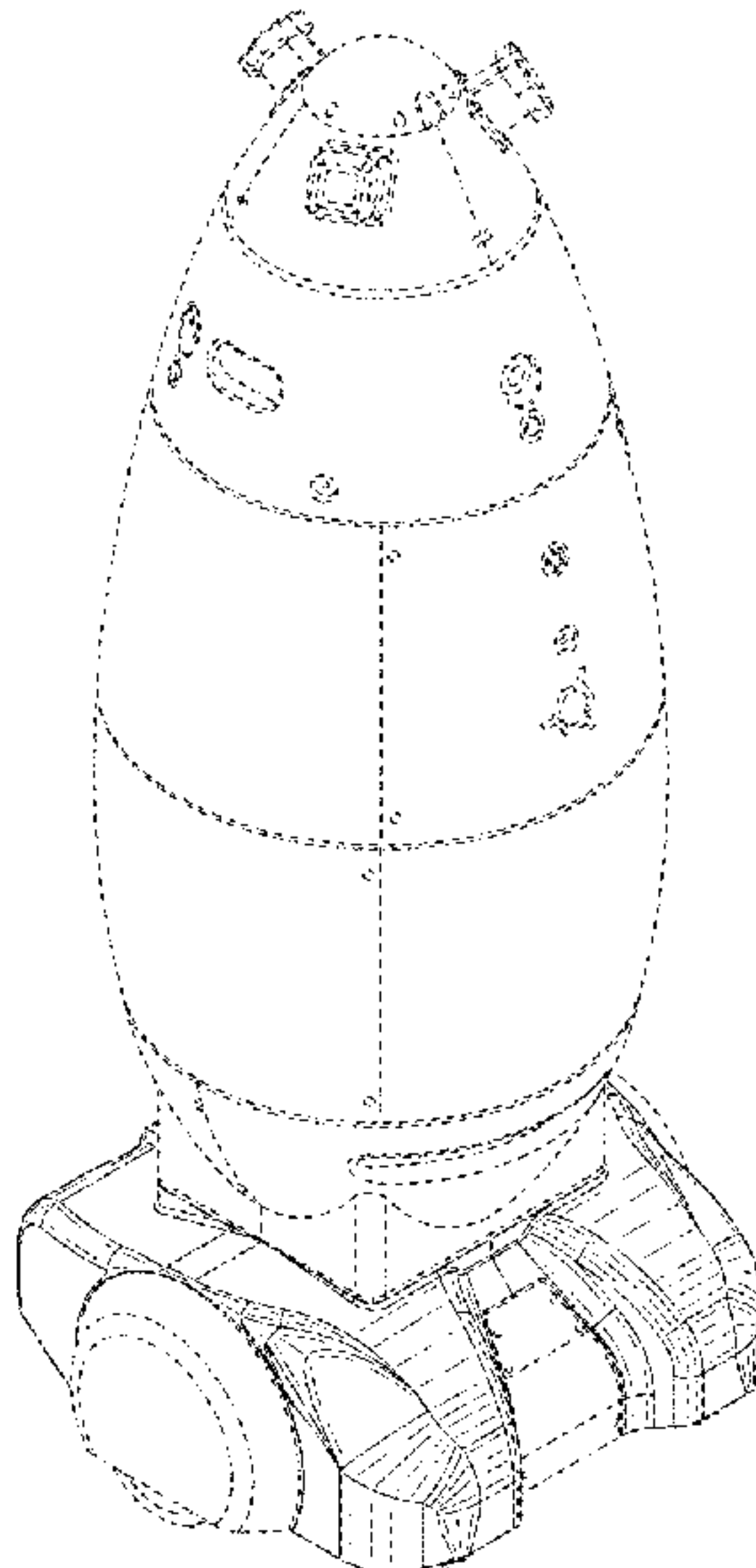
(57) **CLAIM**

I claim the ornamental design for an autonomous mobile robot, as shown and described.

**DESCRIPTION**

FIG. 1 is a front perspective view of an autonomous mobile robot, showing my new design;  
FIG. 2 is a rear perspective view thereof;  
FIG. 3 is a front elevational view thereof;  
FIG. 4 is a rear elevational view thereof;  
FIG. 5 is a top plan view thereof;  
FIG. 6 is a bottom plan view thereof;  
FIG. 7 is a right side elevational view thereof; and,  
FIG. 8 is a left side elevational view thereof.  
The dashed broken lines show portions of the autonomous mobile robot that form no part of the claimed design.

**1 Claim, 8 Drawing Sheets**



(56)

**References Cited**

U.S. PATENT DOCUMENTS

2020/0030963 A1\* 1/2020 Youn ..... B25J 11/0005  
D21/452  
2020/0406448 A1\* 12/2020 Luo ..... B25J 11/008  
D21/452

\* cited by examiner

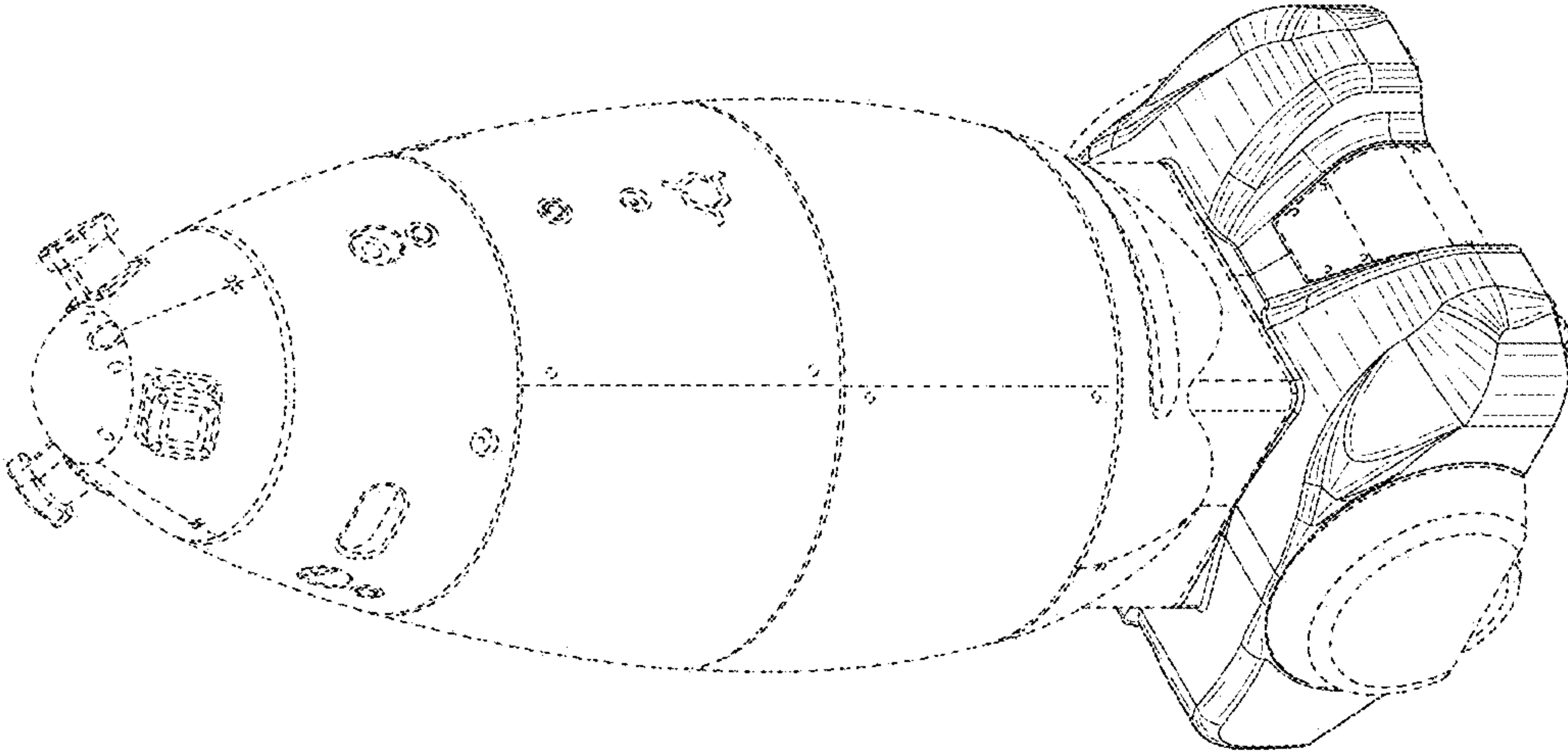


FIG. 1

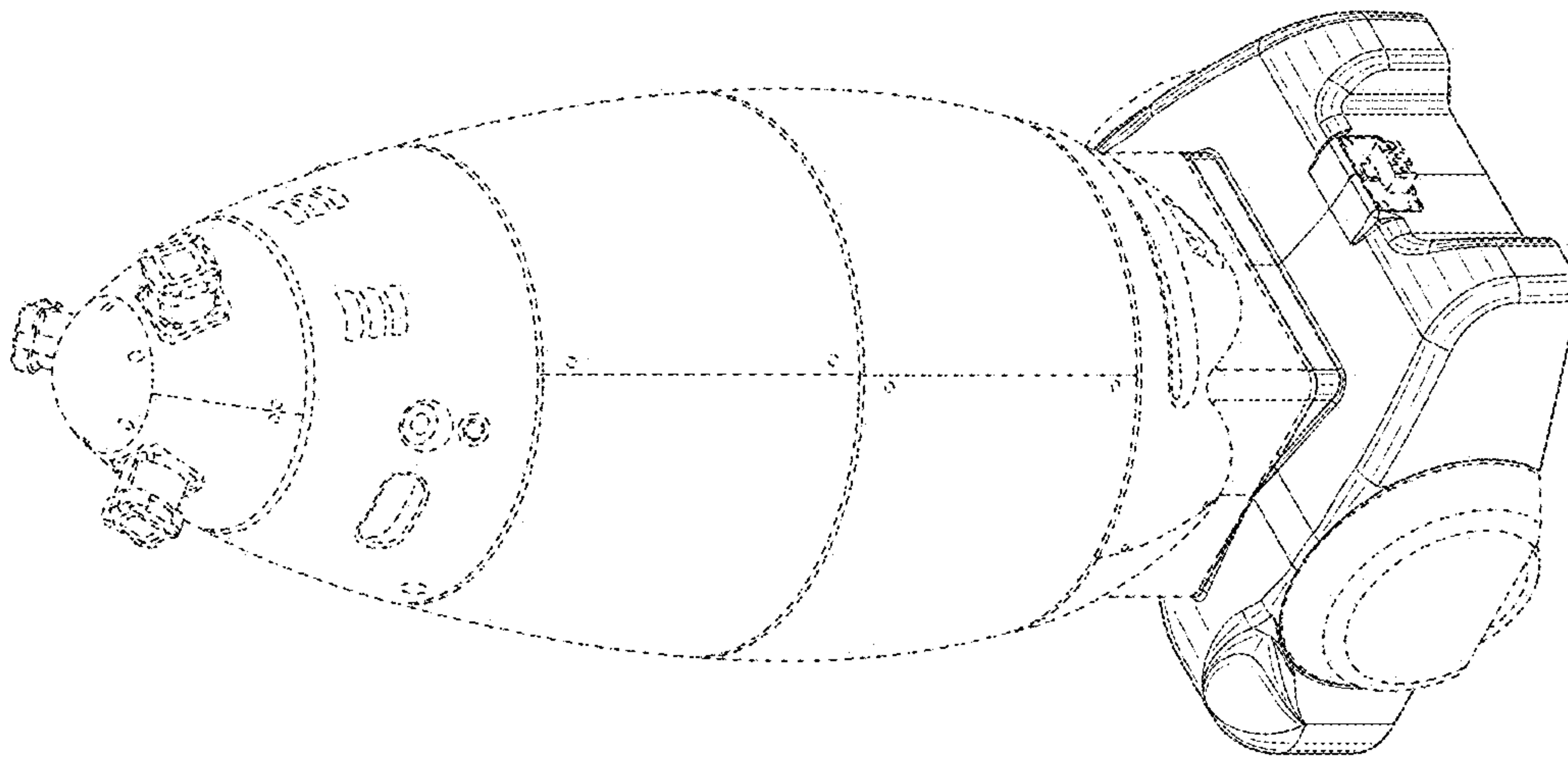


FIG.2

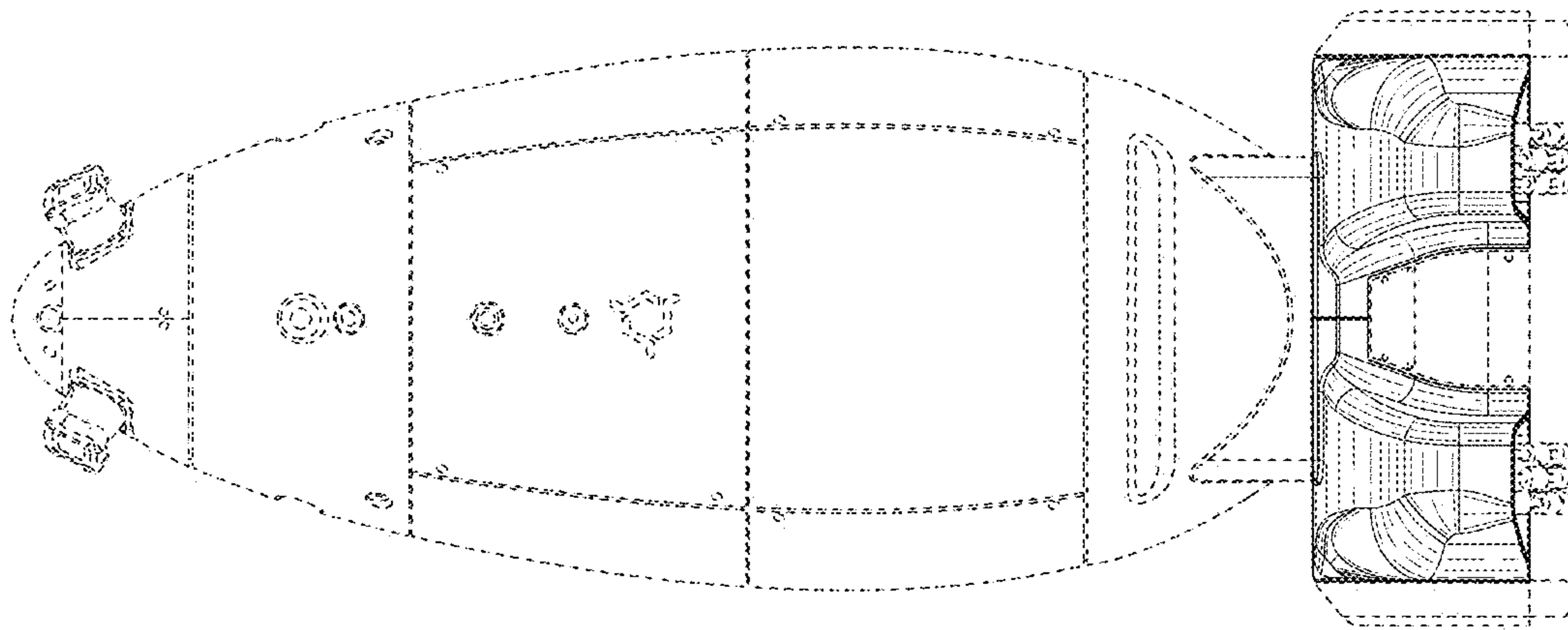


FIG.3

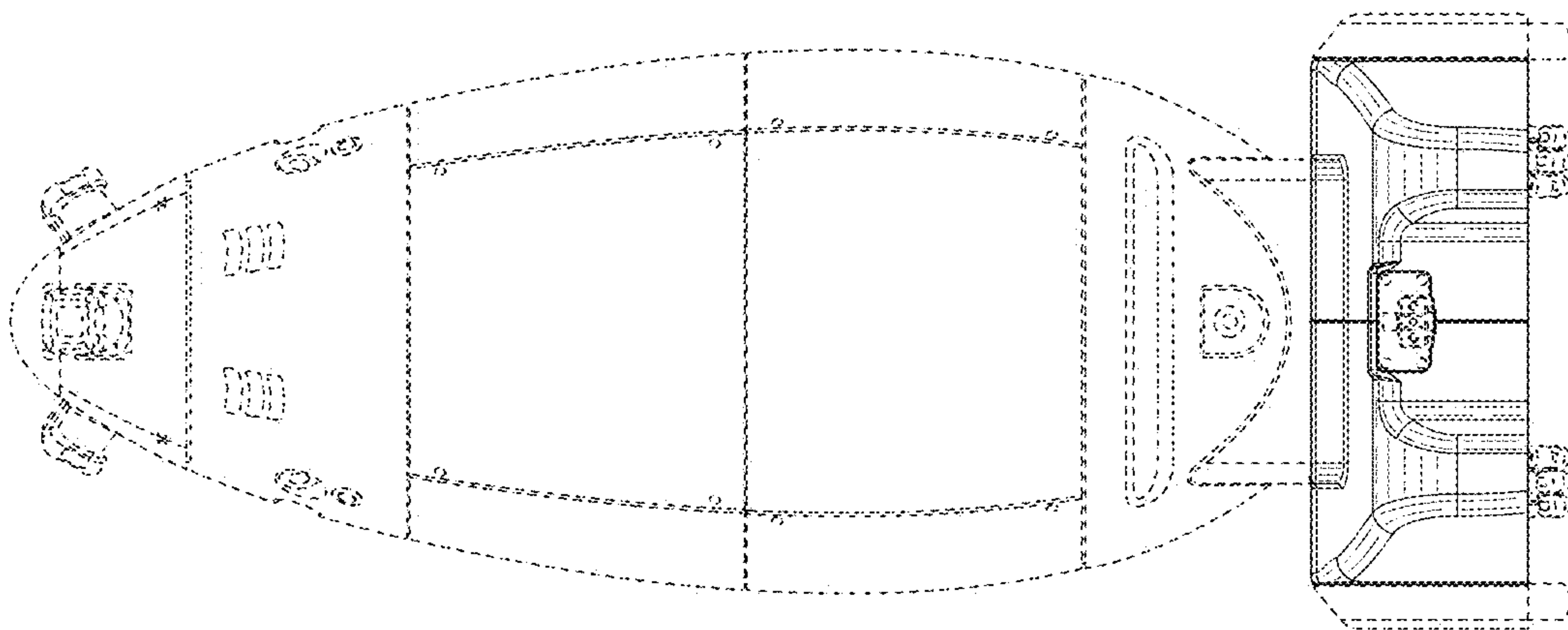


FIG.4



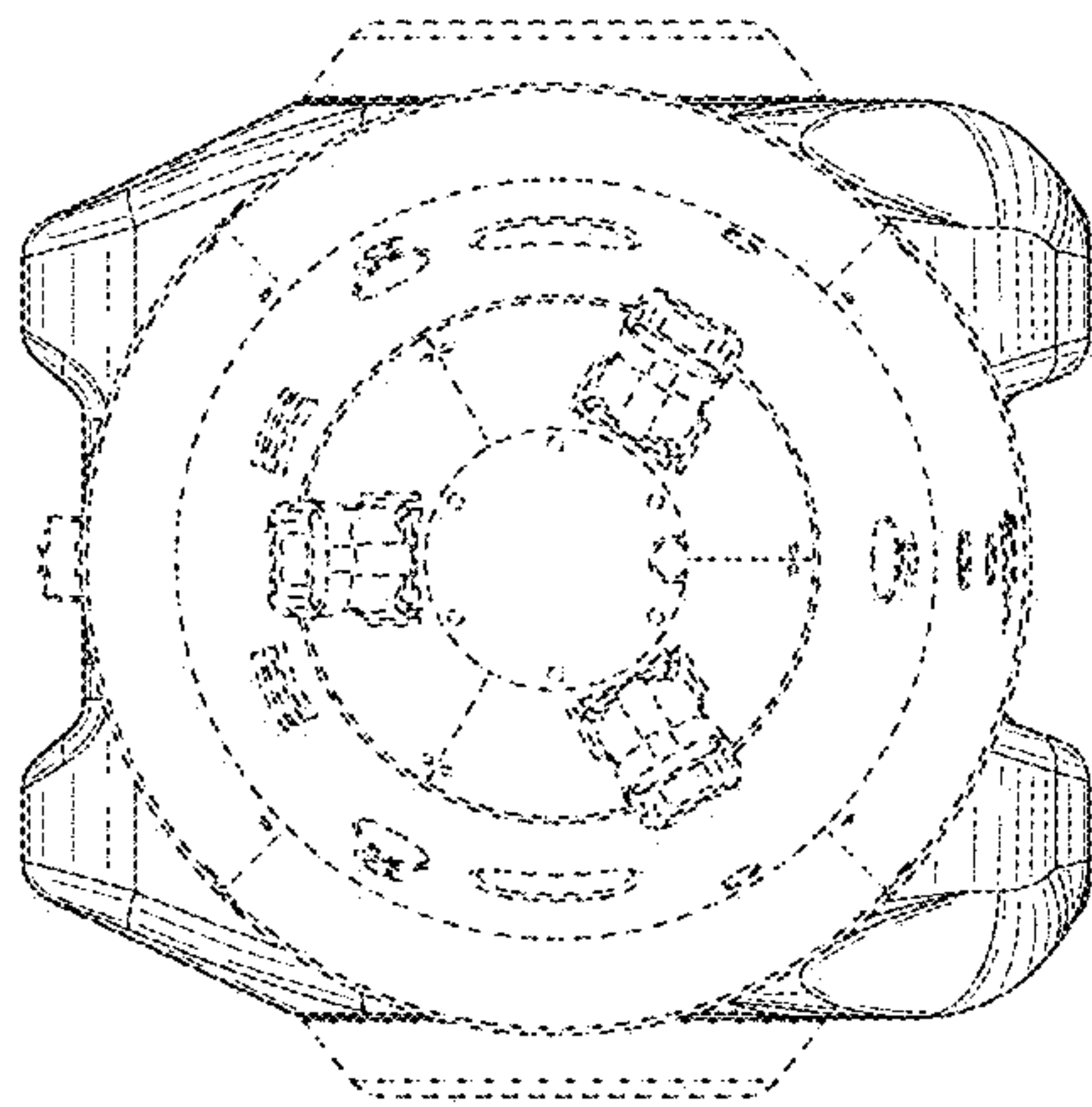


FIG.5

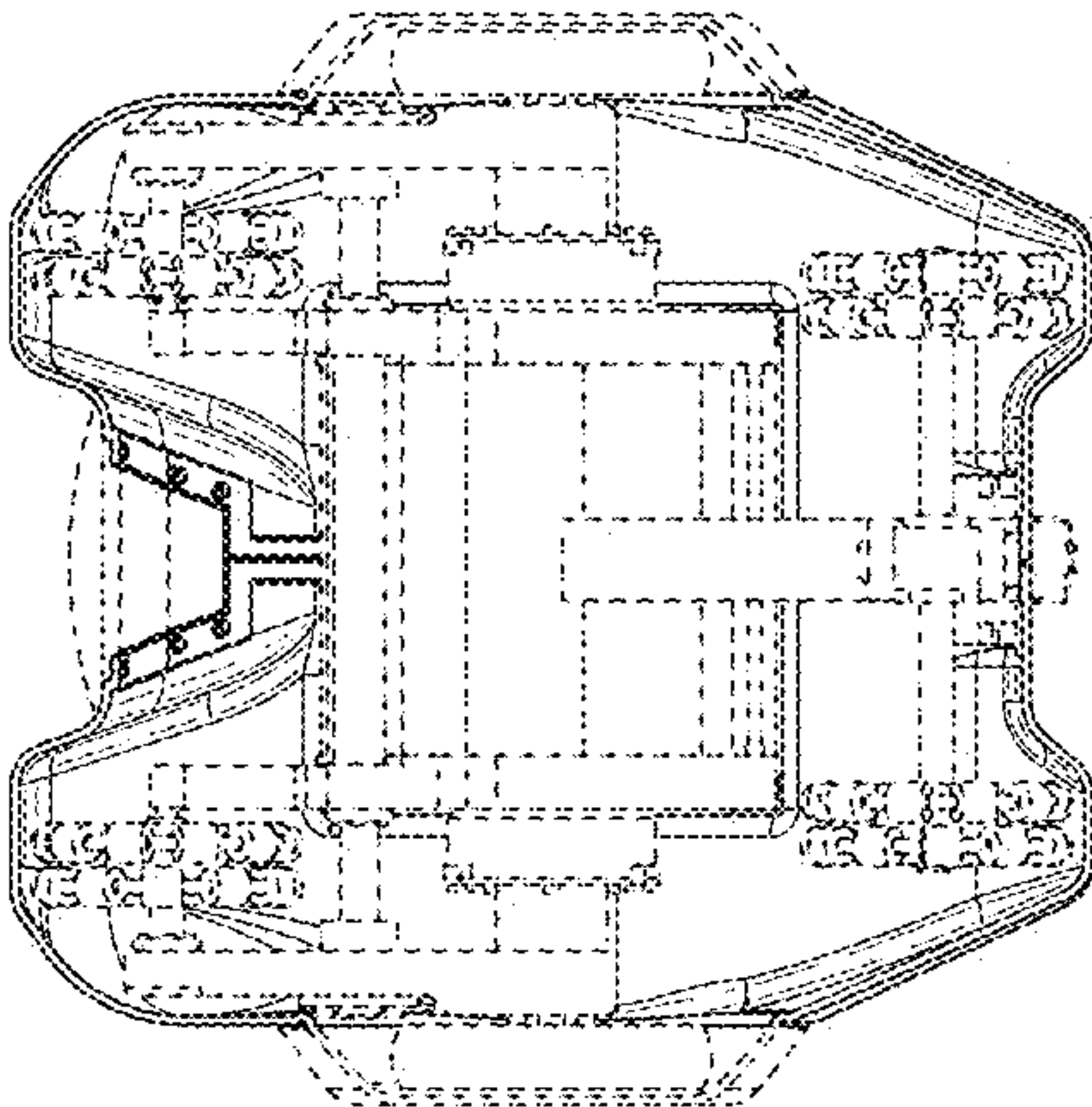


FIG.6



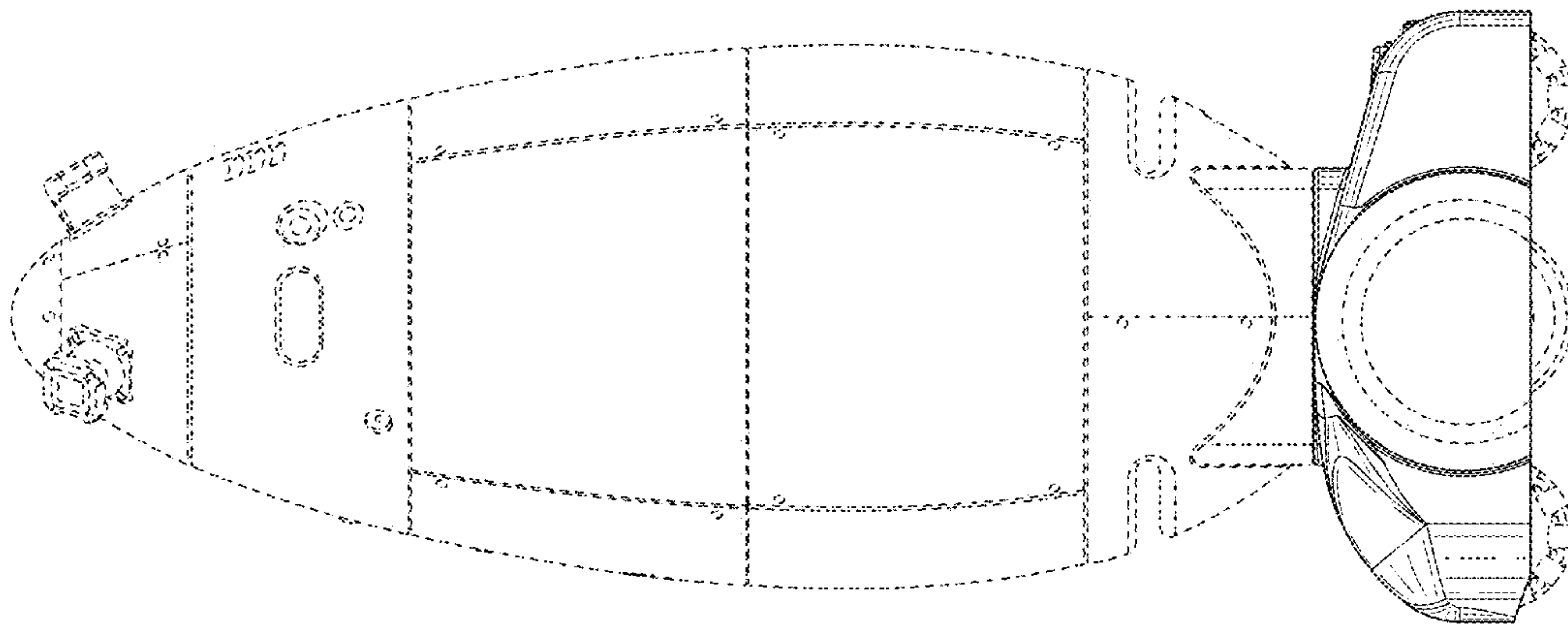


FIG.7

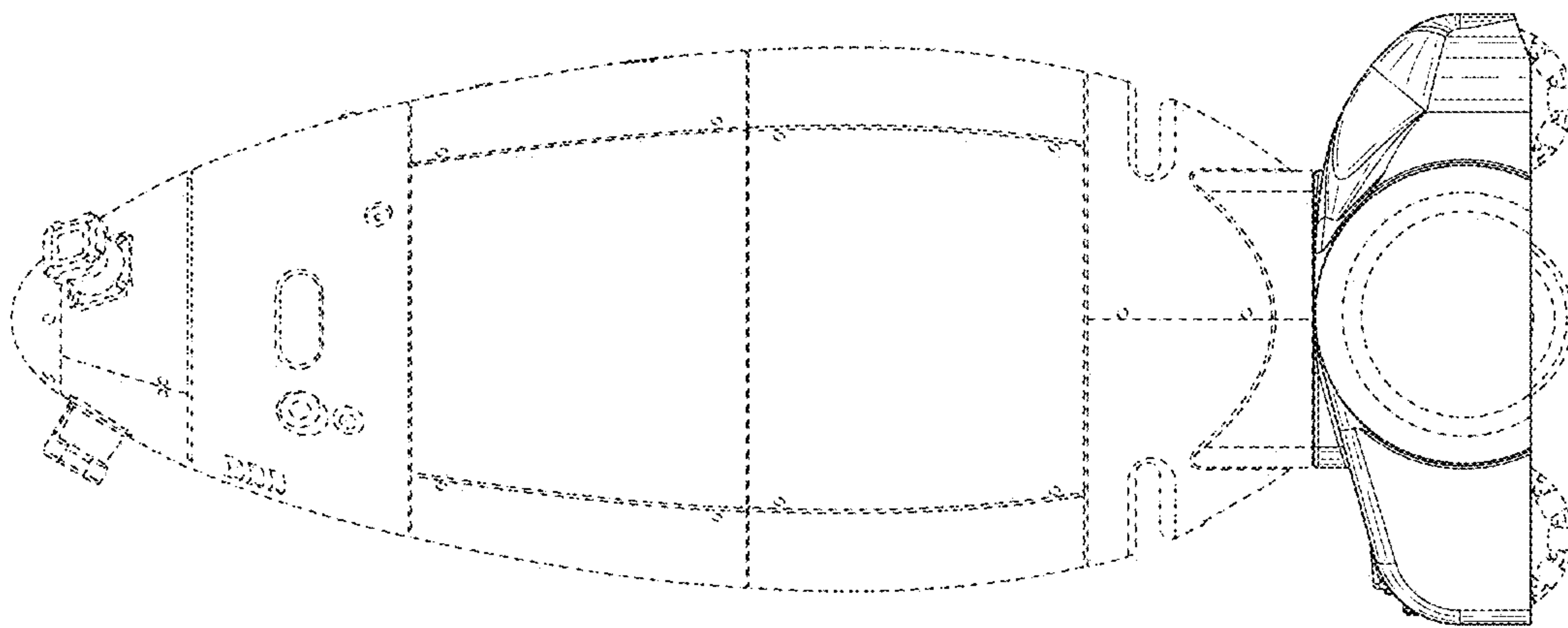


FIG.8