



US00D925635S

(12) **United States Design Patent**
Belzile et al.

(10) **Patent No.:** **US D925,635 S**
(45) **Date of Patent:** **** Jul. 20, 2021**

(54) **ROBOTIC ARM END EFFECTOR**
(71) Applicant: **ROBOTIQ INC.**, St-Nicolas (CA)
(72) Inventors: **Pierre-Luc Belzile**, Lévis (CA); **Sacha Fabien**, Québec (CA); **Julien St-Hilaire**, Lévis (CA); **André Bourget**, Québec (CA); **Renaud Sansfaçon**, Québec (CA); **Valérie Lavoie**, Saint-Augustin-de-desmaures (CA); **Yan Drolet-Mihelic**, Québec (CA); **Louis-Alexis Allen Demers**, Levis (CA); **Jean-Philippe Jobin**, Levis (CA)

(**) Term: **15 Years**

(21) Appl. No.: **29/729,904**

(22) Filed: **Mar. 31, 2020**

(51) **LOC (13) Cl.** **15-99**

(52) **U.S. Cl.**
USPC **D15/199**

(58) **Field of Classification Search**
USPC D15/199, 578-583, 621, 622
CPC .. B23P 19/006; B25J 15/0253; B25J 17/0208;
H05K 13/0408; Y10T 29/53039
See application file for complete search history.

(56) **References Cited**

U.S. PATENT DOCUMENTS

D604,753 S * 11/2009 Suarez D15/199
D644,675 S * 9/2011 Abed D15/199
D760,387 S * 6/2016 Waters D24/133

D776,276 S * 1/2017 Witt D24/146
D783,695 S * 4/2017 Ke D15/143
D809,041 S * 1/2018 Zhang D15/199
D833,497 S * 11/2018 Strain D15/199
D839,332 S * 1/2019 Bailey D15/199
D854,149 S * 7/2019 Sims D24/144
D865,827 S * 11/2019 Zhang D15/199
D878,585 S * 3/2020 Garcia D24/145
D883,351 S * 5/2020 Sansfaçon D15/199
2021/0060764 A1 * 3/2021 Kugler B23K 26/0876

* cited by examiner

Primary Examiner — Patricia A Palasik

(74) *Attorney, Agent, or Firm* — Anglehart et al.

(57) **CLAIM**

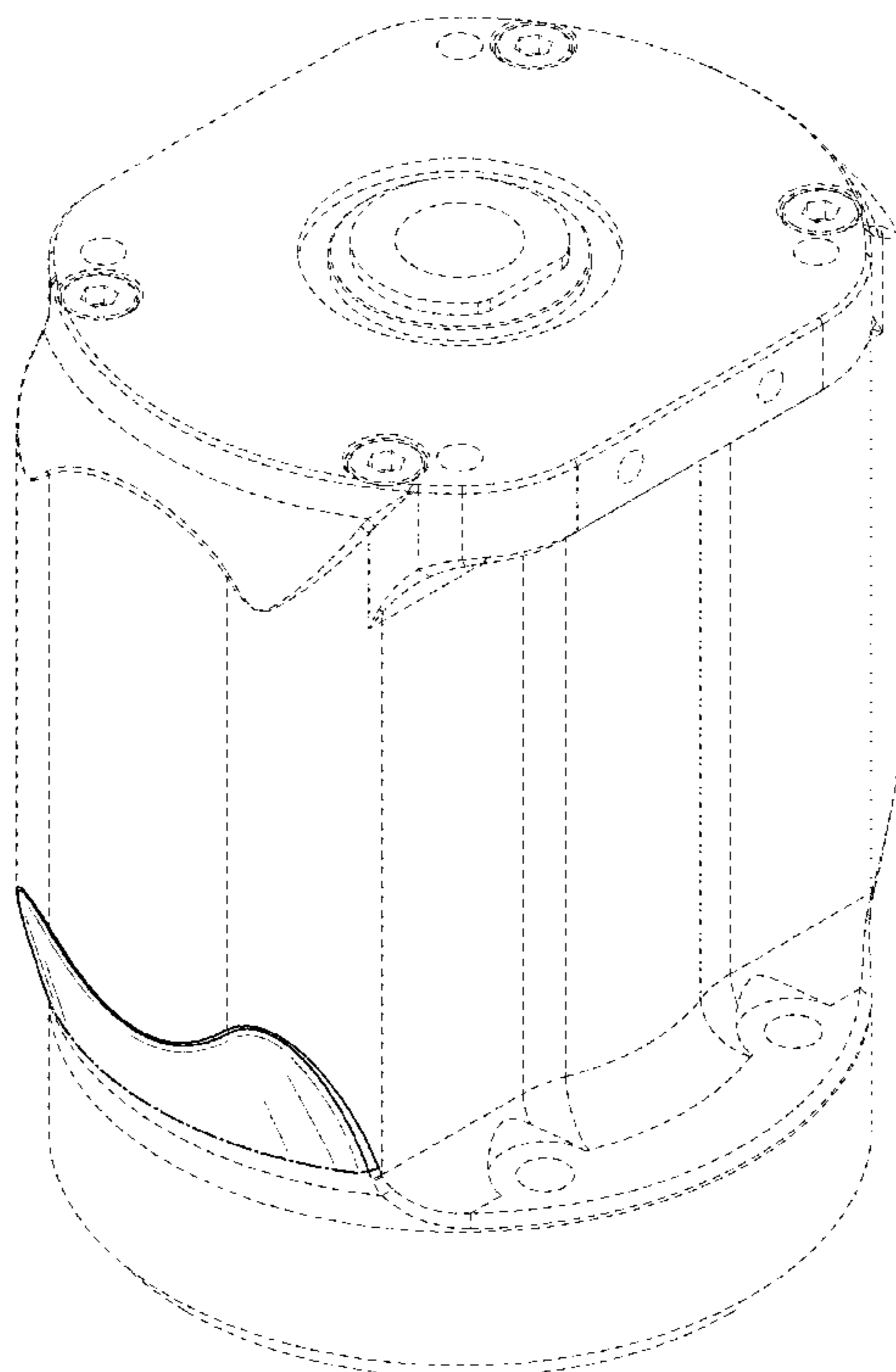
The ornamental design for a robotic arm end effector, as shown and described.

DESCRIPTION

FIG. 1 is a front, top and right and perspective view of a robotic arm end effector showing a second embodiment of our new design;
FIG. 2 is a right side view thereof;
FIG. 3 is a left side view thereof;
FIG. 4 is a back view thereof;
FIG. 5 is a front view thereof;
FIG. 6 is a top view thereof; and,
FIG. 7 is a bottom view thereof.

The dash-dash broken lines shown in the drawings depict portions of the robotic arm end effector do not form part of the claimed design. The dash-dot-dash broken lines in the drawings depict the boundaries of the claimed design and form no part thereof.

1 Claim, 7 Drawing Sheets



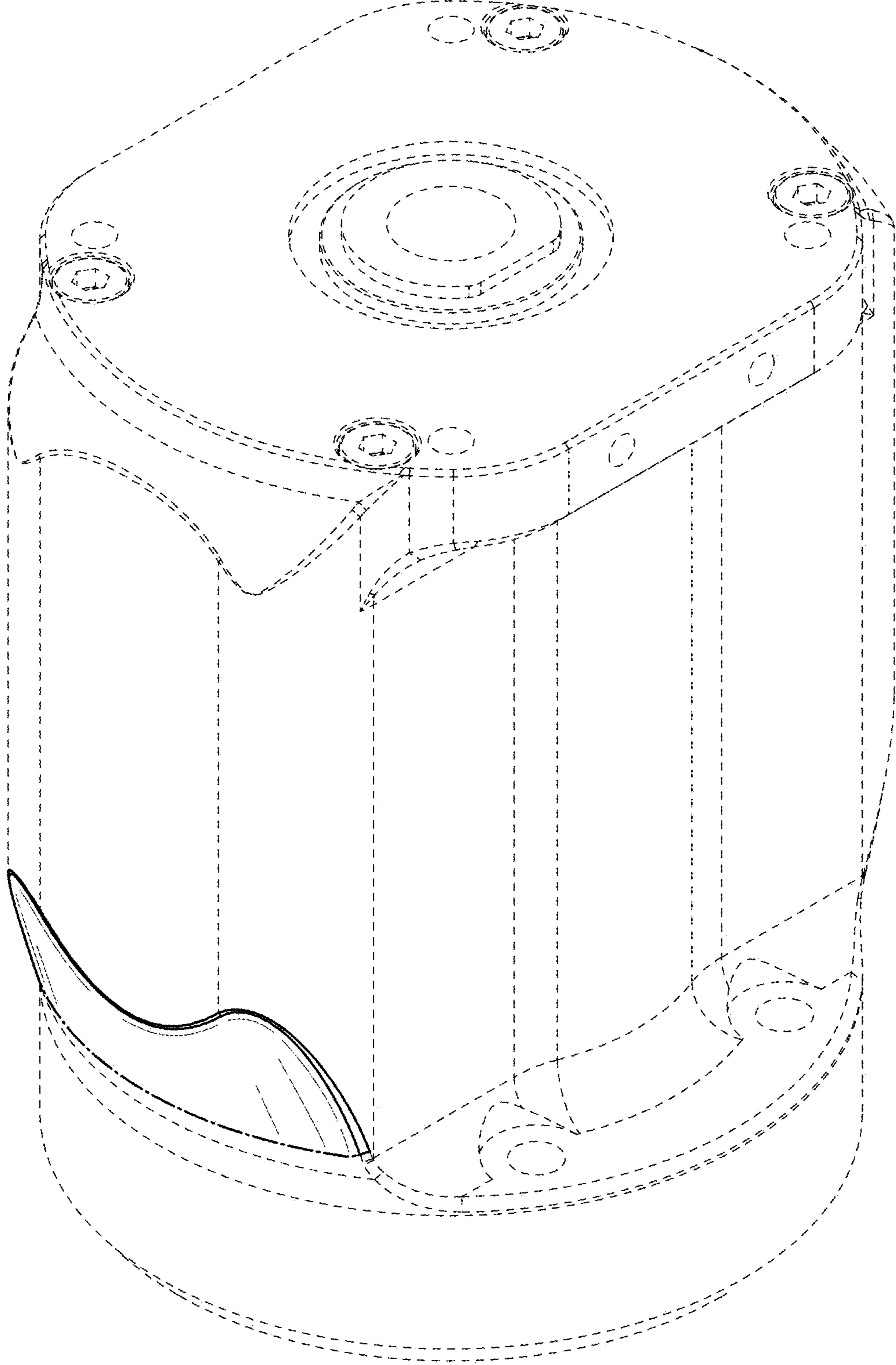


FIG. 1

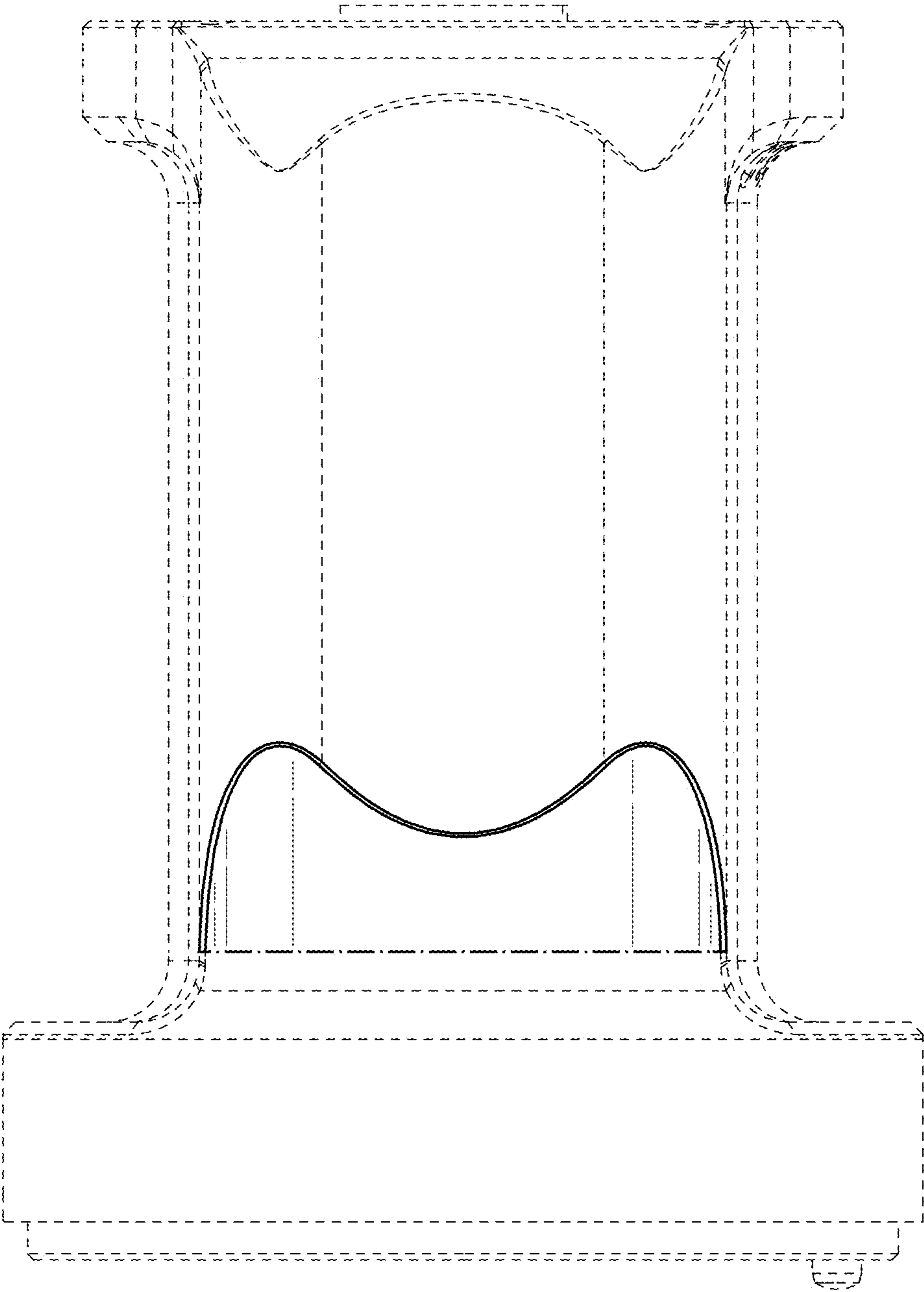


FIG. 2

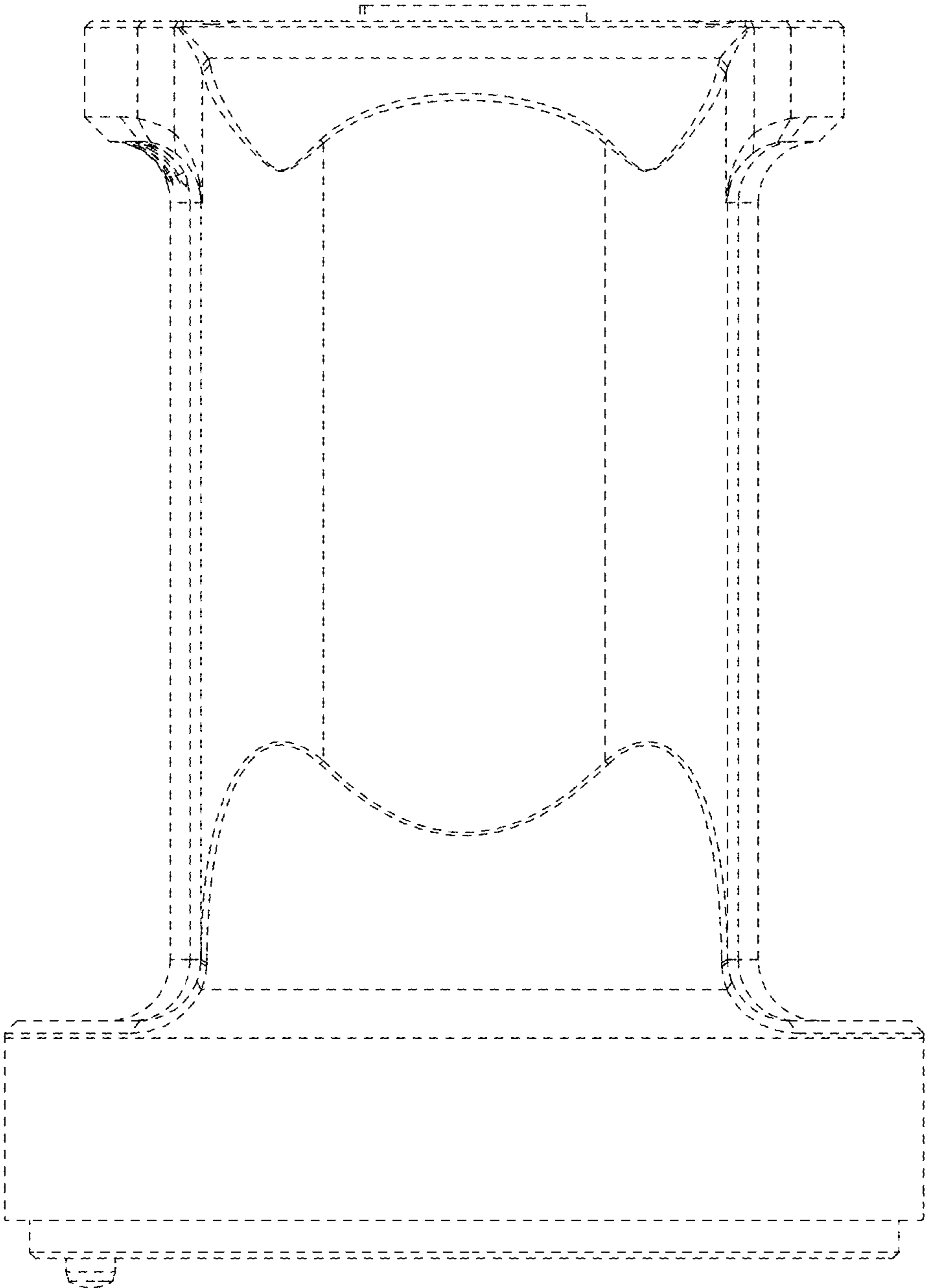


FIG. 3

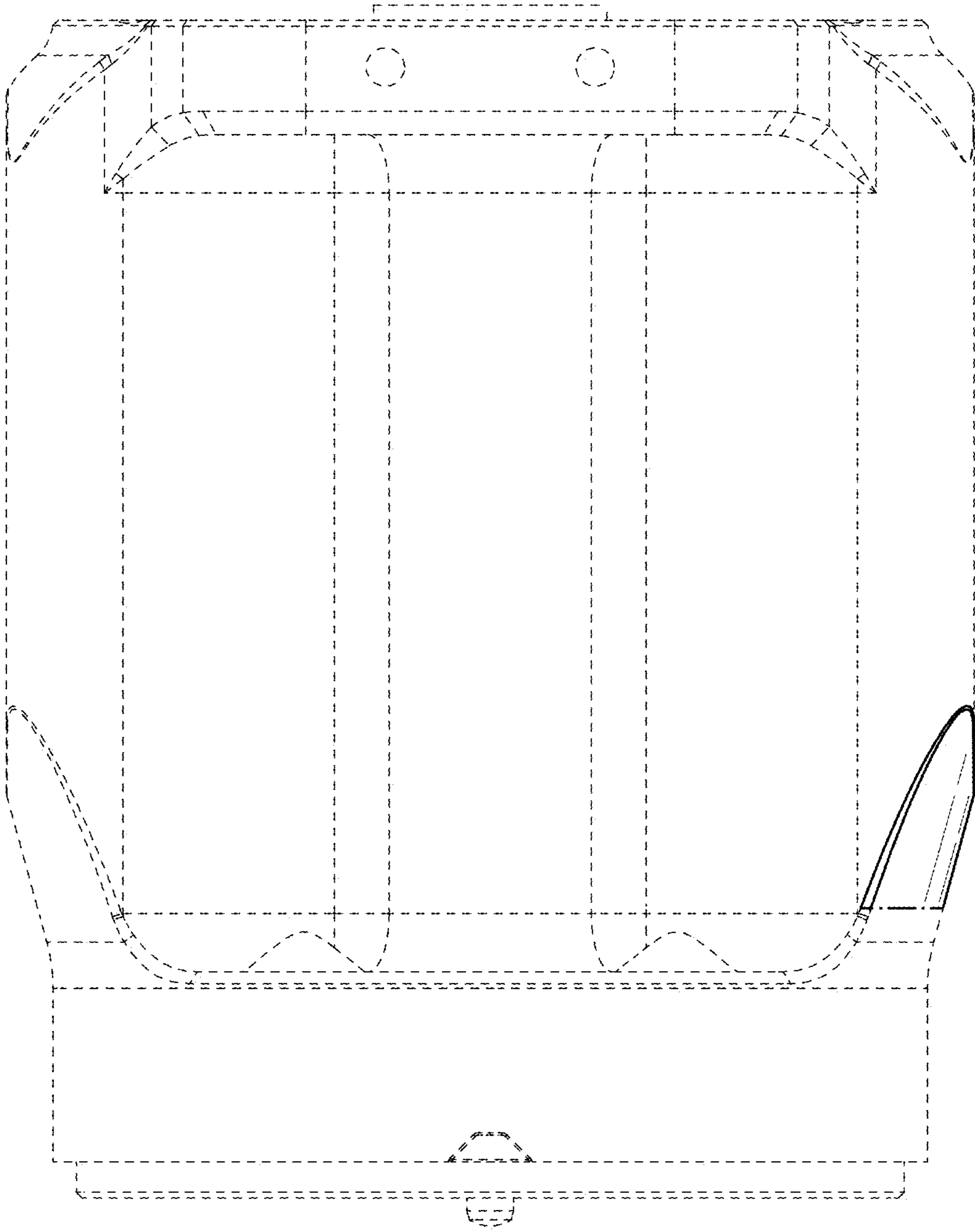


FIG. 4

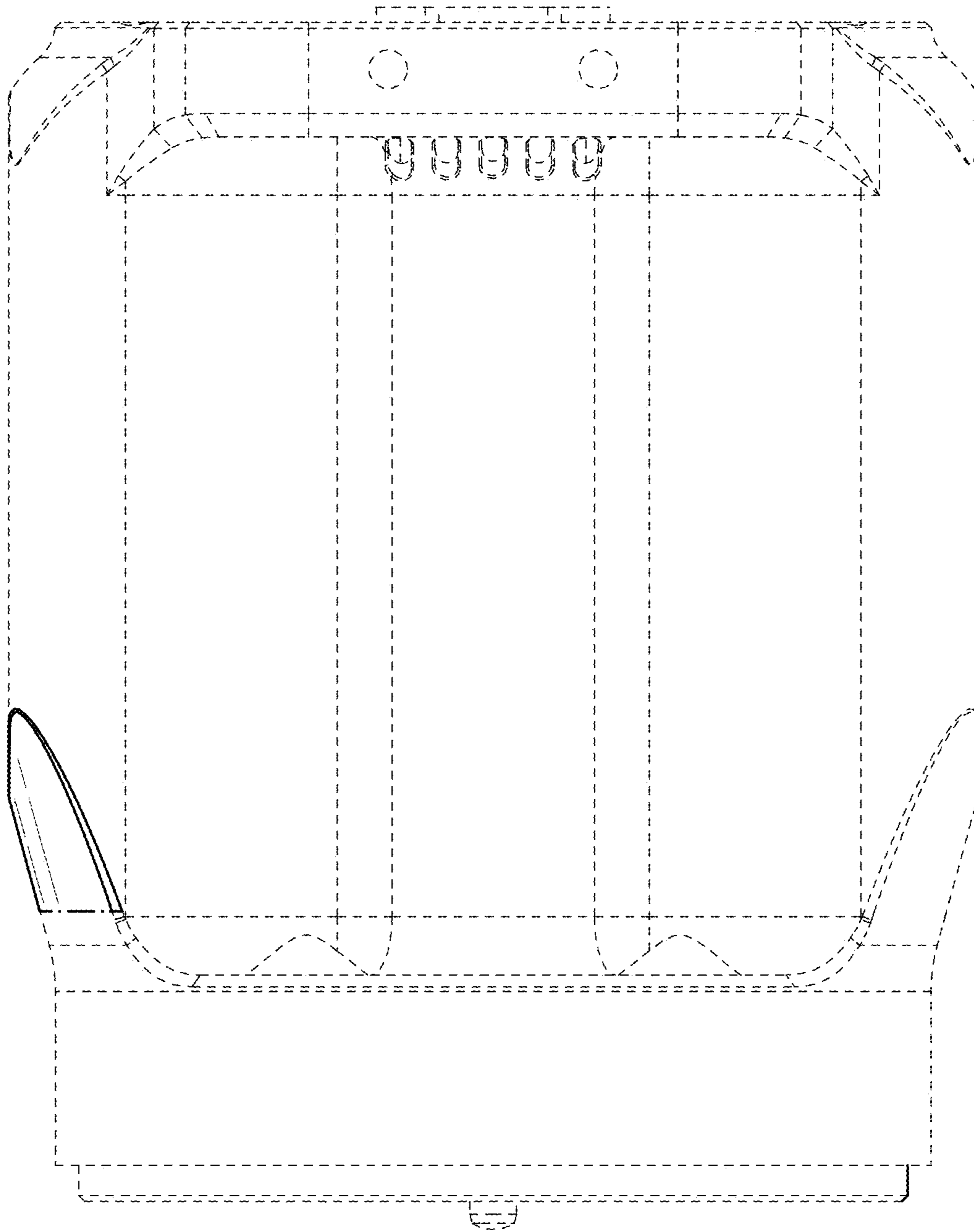


FIG. 5

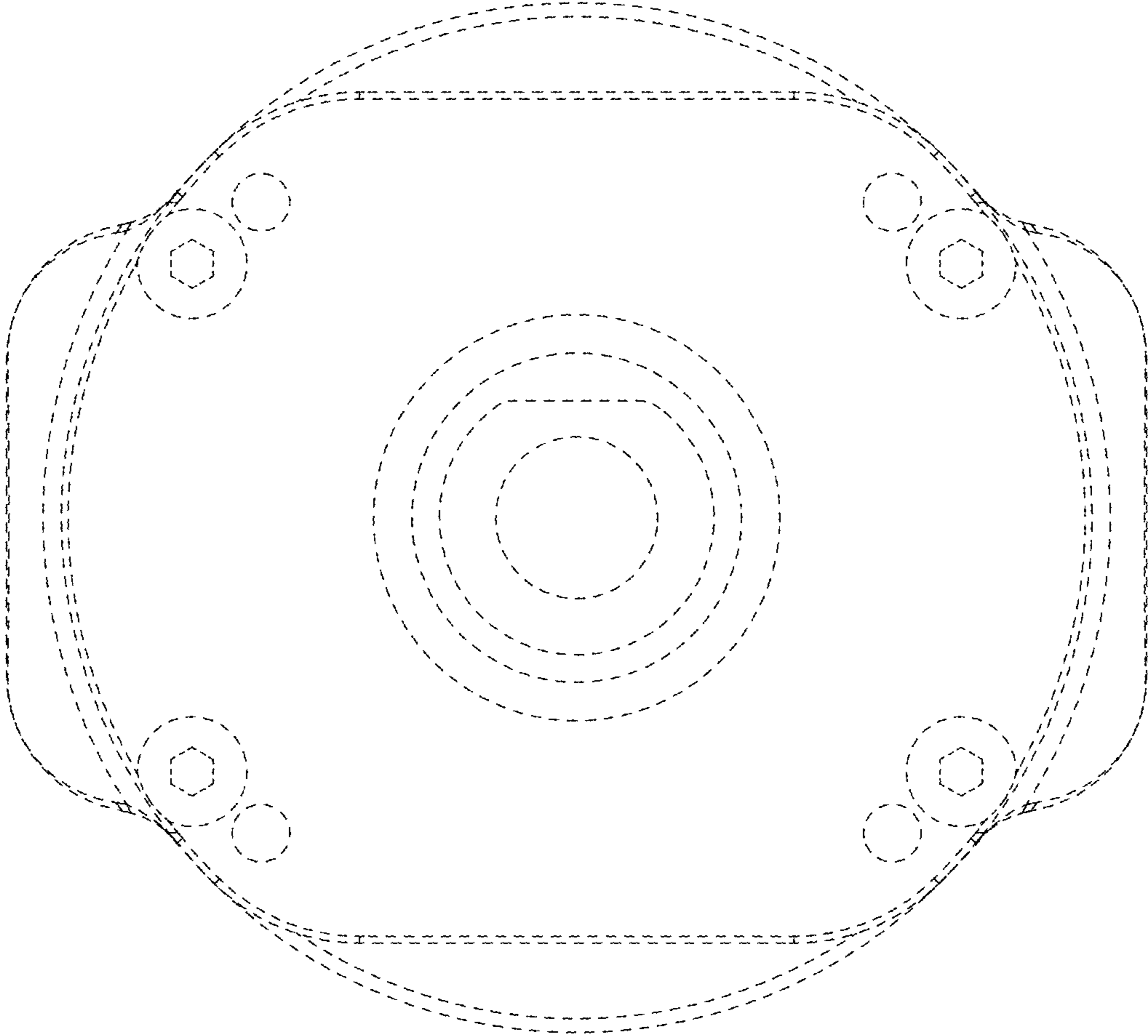


FIG. 6

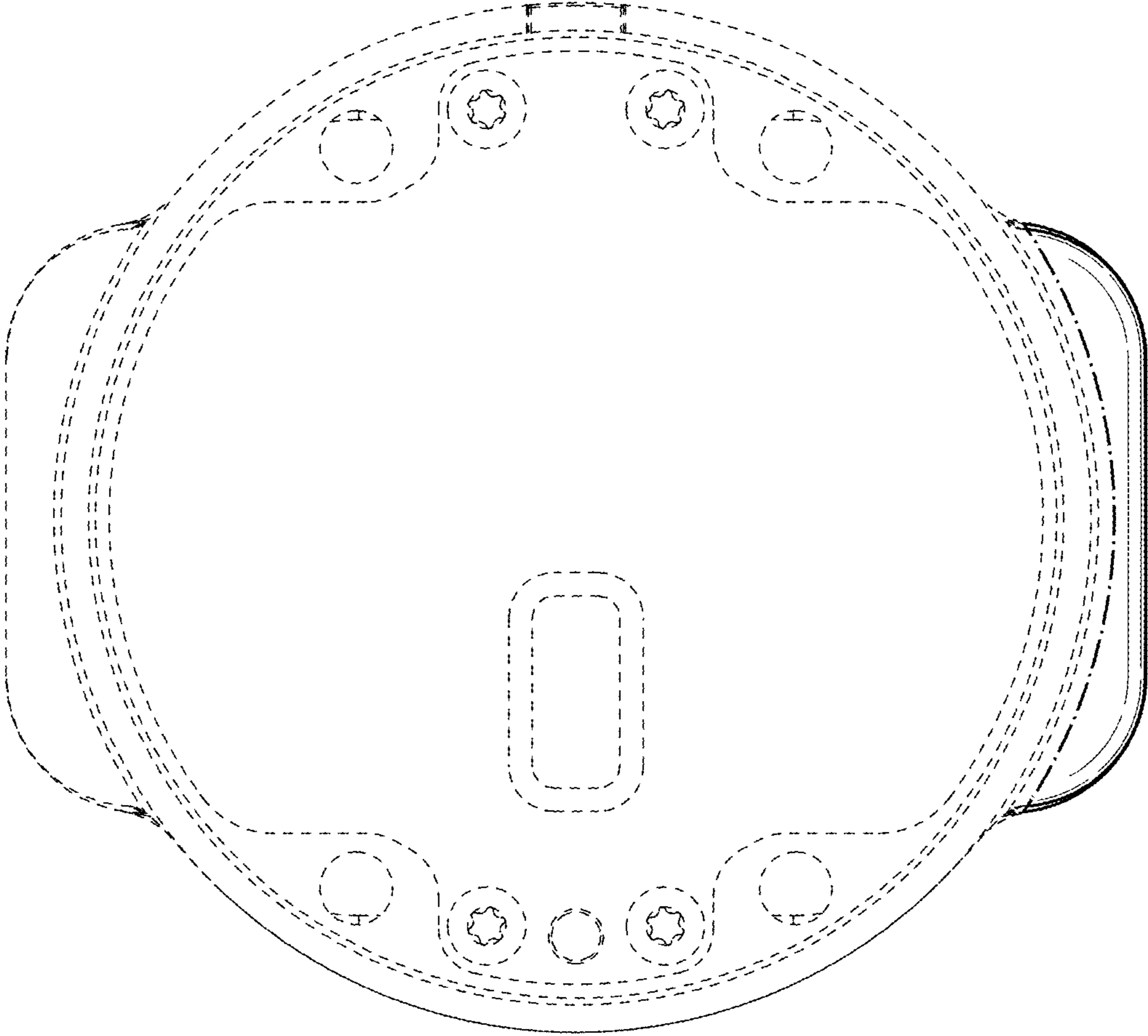


FIG. 7