



US00D925634S

(12) **United States Design Patent**  
**Liu et al.**

(10) **Patent No.:** **US D925,634 S**

(45) **Date of Patent:** **\*\* Jul. 20, 2021**

(54) **ROBOT**

(71) Applicant: **Shenzhen Yuejiang Technology Co., Ltd., Shenzhen (CN)**

(72) Inventors: **Peichao Liu, Shenzhen (CN); Mengyan Hu, Shenzhen (CN); Zhufu Liu, Shenzhen (CN)**

(73) Assignee: **SHENZHEN YUEJIANG TECHNOLOGY CO., LTD., Shenzhen (CN)**

D293,116 S *	12/1987	Stackhouse	.....	D15/122
D335,088 S *	4/1993	Raleigh	.....	D10/46
D366,054 S *	1/1996	Eguchi	.....	D15/132
D375,316 S *	11/1996	Tsai	.....	D15/131
5,575,318 A *	11/1996	Susnjara	.....	B23Q 1/017 144/2.1
D418,528 S *	1/2000	Honjo	.....	D15/199
D454,897 S *	3/2002	Kawaguchi	.....	D15/199
D455,163 S *	4/2002	Kawaguchi	.....	D15/199
D470,872 S *	2/2003	Childs	.....	D15/135
D675,657 S *	2/2013	Muto	.....	D15/199
D841,066 S *	2/2019	Kita	.....	D15/199
2016/0107317 A1 *	4/2016	Hashimoto	.....	B25J 15/0014 414/744.2

(\*\*) Term: **15 Years**

(21) Appl. No.: **29/718,958**

(22) Filed: **Dec. 30, 2019**

(51) **LOC (13) Cl.** ..... **15-99**

(52) **U.S. Cl.**  
USPC ..... **D15/199; D15/122**

(58) **Field of Classification Search**  
USPC ..... D15/122, 199  
CPC .... B23Q 1/58; B23Q 37/00; B25J 9/08; B25J  
9/023; Y10T 403/7194  
See application file for complete search history.

(56) **References Cited**

**U.S. PATENT DOCUMENTS**

4,583,909 A *	4/1986	Yamashita	.....	B23Q 1/58 403/400
D289,406 S *	4/1987	Shibayama	.....	D15/122
D289,407 S *	4/1987	Shibayama	.....	D15/122
D290,263 S *	6/1987	Shibayama	.....	D15/122
D292,001 S *	9/1987	Imaizumi	.....	D15/122
D292,002 S *	9/1987	Shibayama	.....	D15/122
D292,003 S *	9/1987	Imaizumi	.....	D15/122
D292,956 S *	12/1987	Inoue	.....	D6/406.1

\* cited by examiner

*Primary Examiner* — Patricia A Palasik

(74) *Attorney, Agent, or Firm* — Dragon Sun Law Firm, PC; Jinggao Li, Esq.

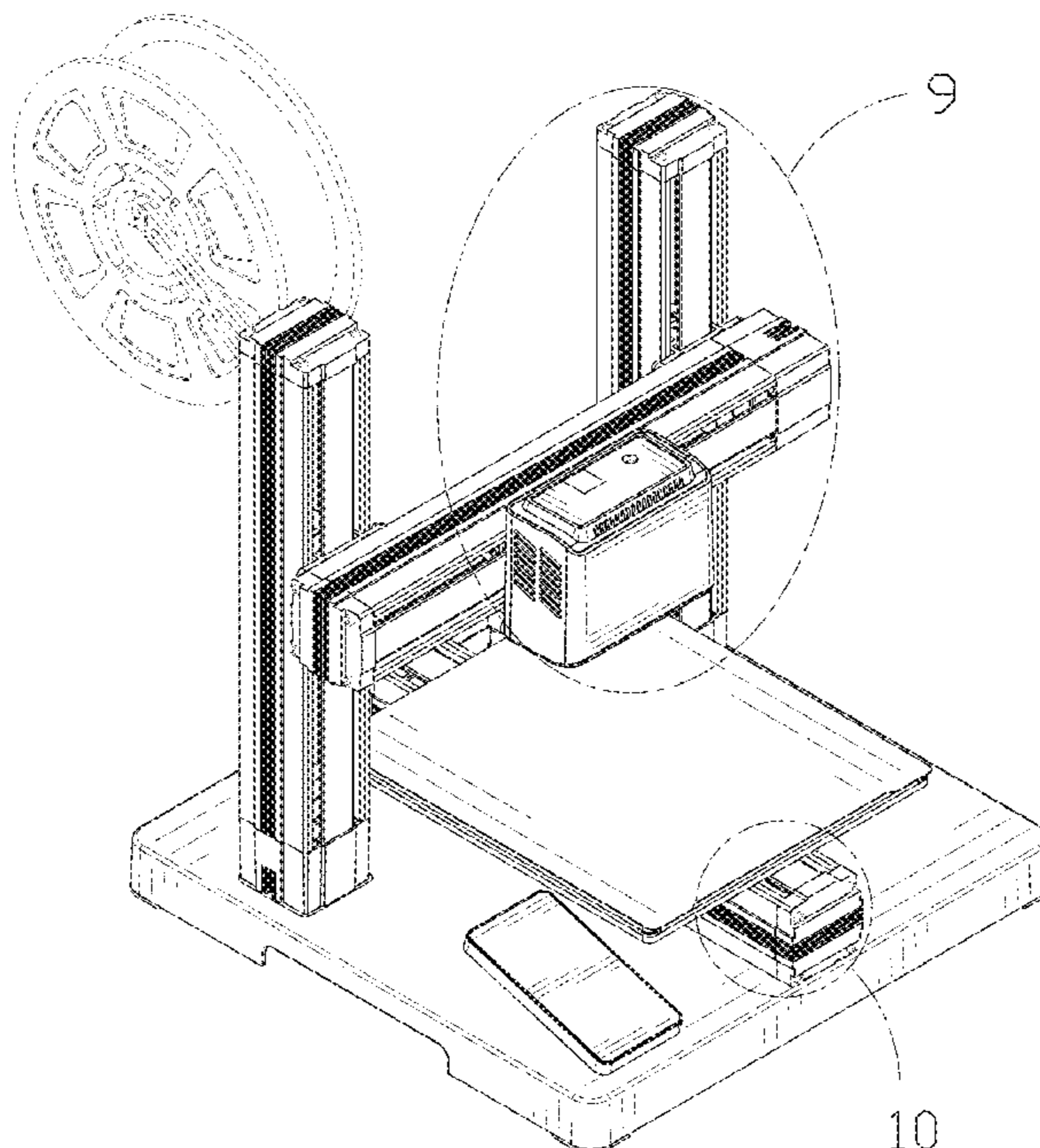
(57) **CLAIM**

The ornamental design for a robot, as shown and described.

**DESCRIPTION**

FIG. 1 is a perspective view of a robot showing our new design;  
FIG. 2 is another perspective view thereof;  
FIG. 3 is a front view thereof;  
FIG. 4 is a rear view thereof;  
FIG. 5 is a left side view thereof;  
FIG. 6 is a right side view thereof;  
FIG. 7 is a top plan view thereof;  
FIG. 8 is a bottom plan view thereof;  
FIG. 9 is an expanded view of FIG. 1; and,  
FIG. 10 is another expanded view of FIG. 1.  
The broken lines depict portions of the robot and environment only and form no part of the claimed design.

**1 Claim, 10 Drawing Sheets**



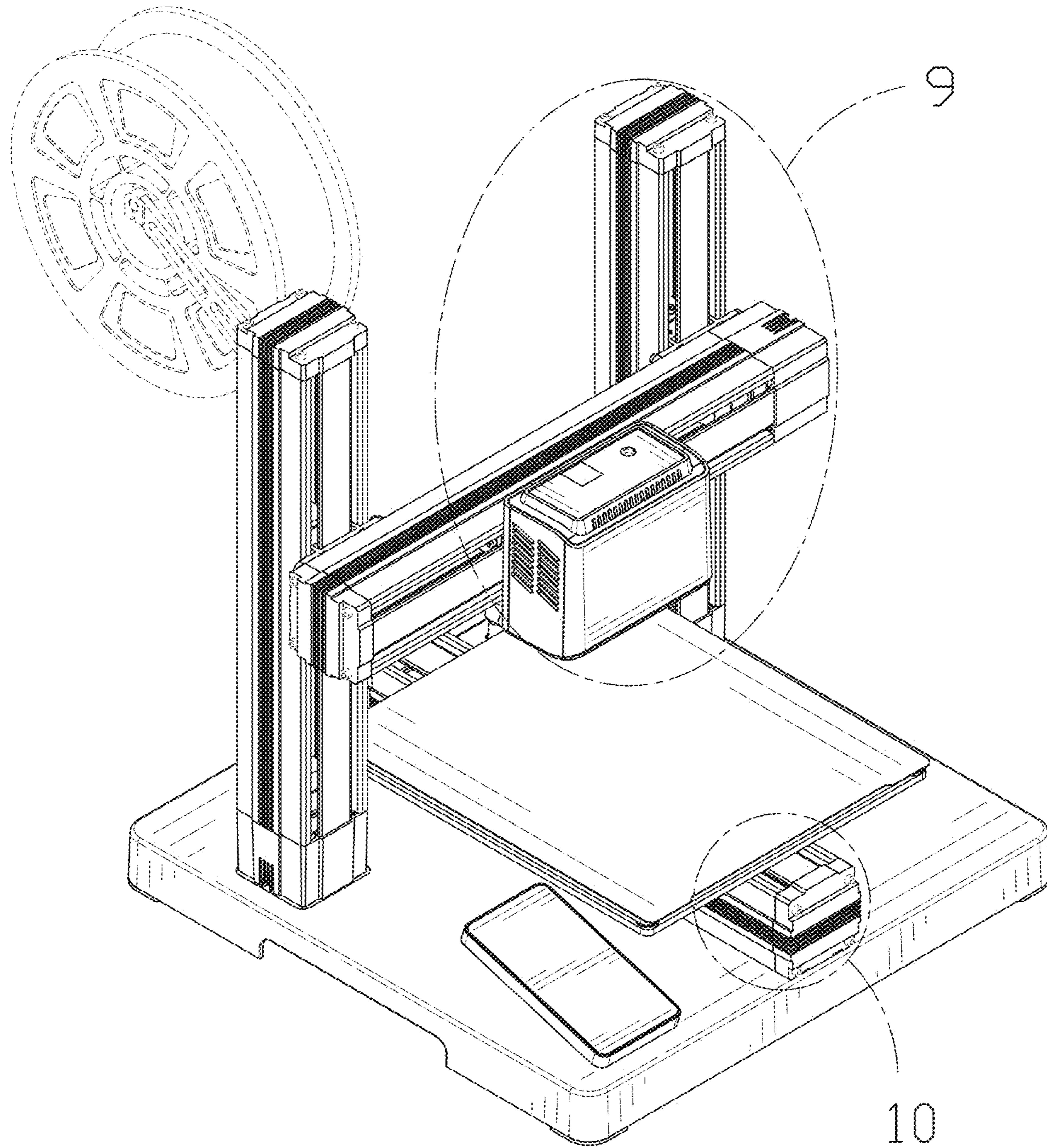


FIG. 1

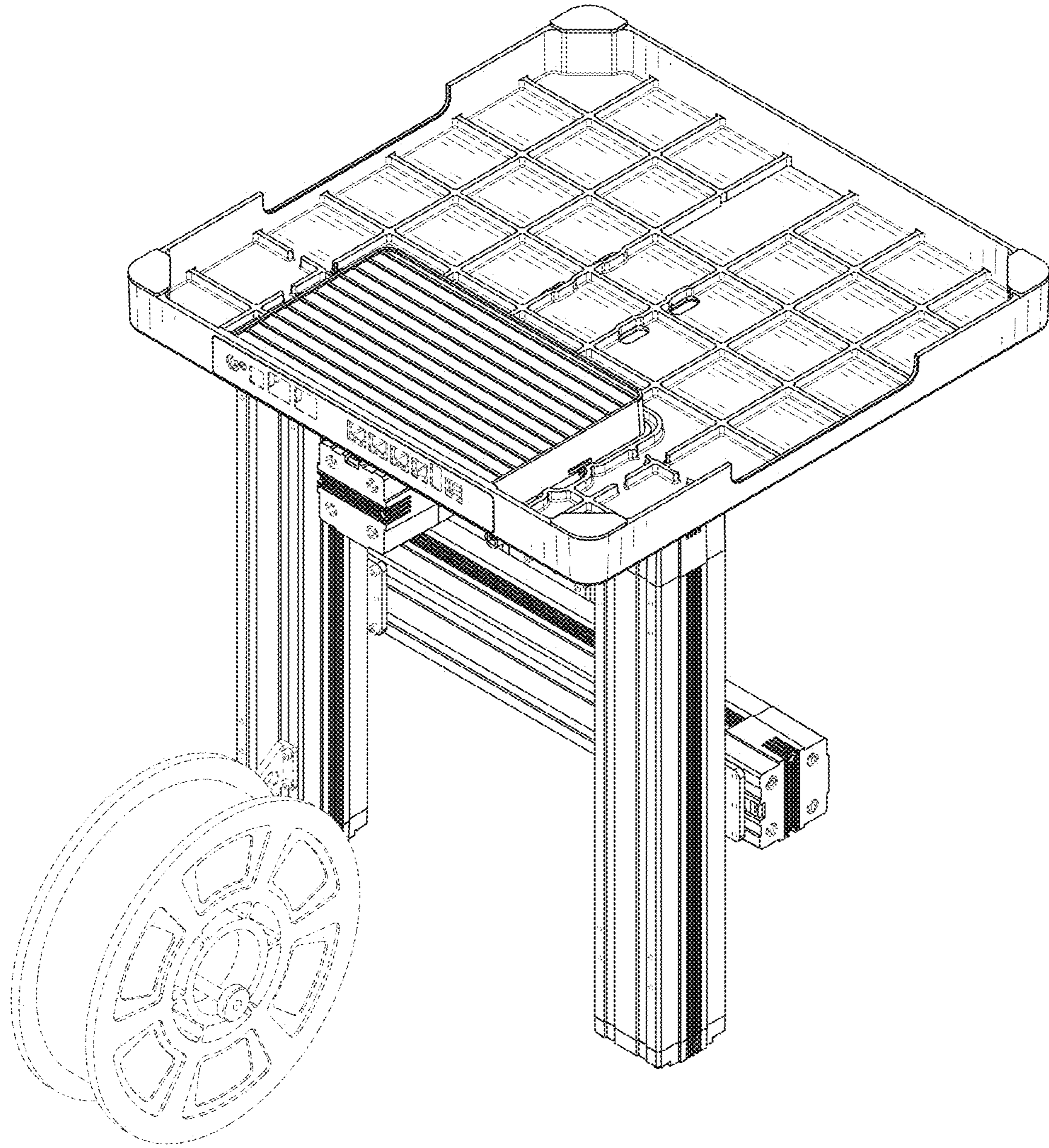


FIG. 2

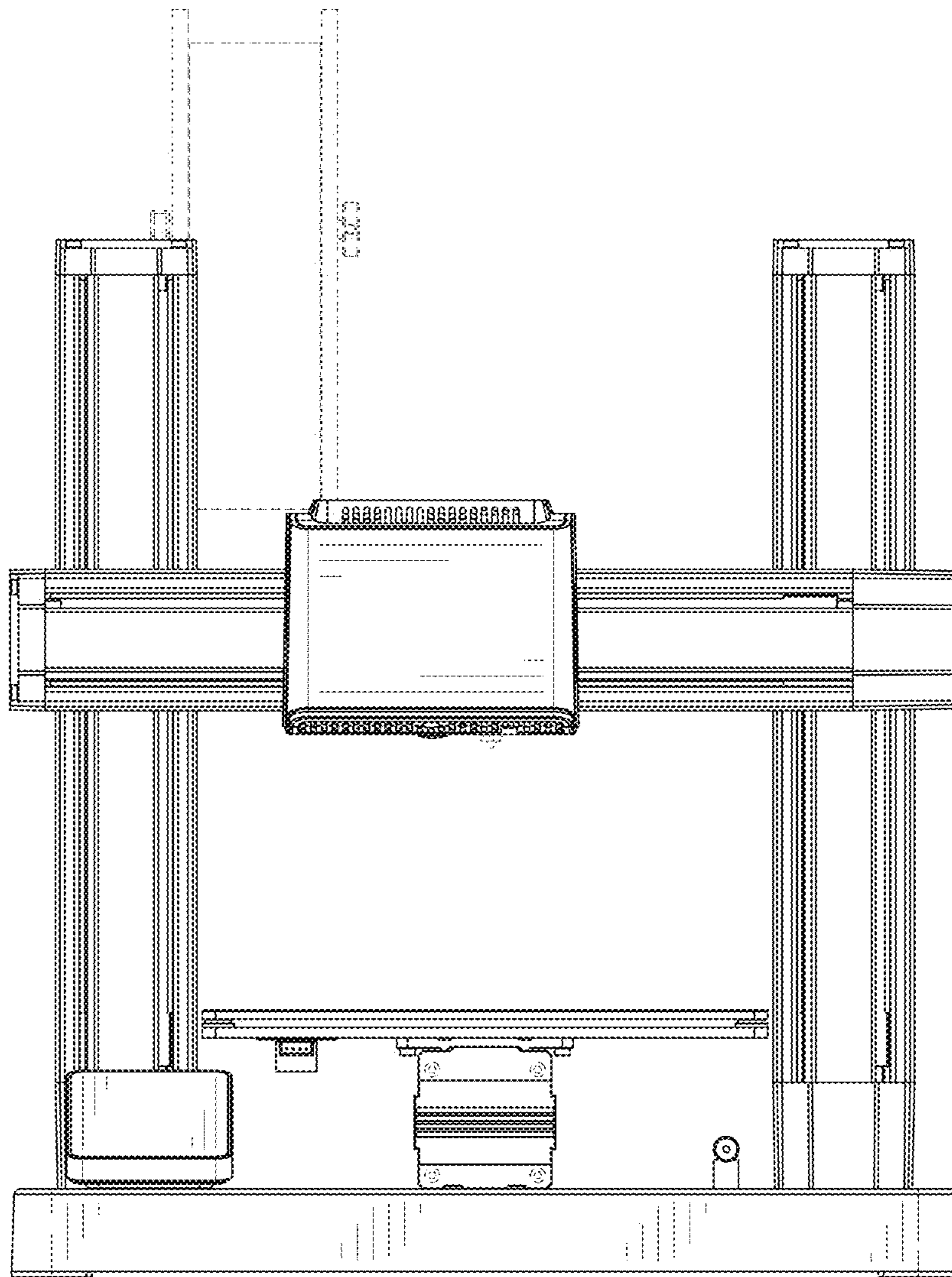


FIG. 3

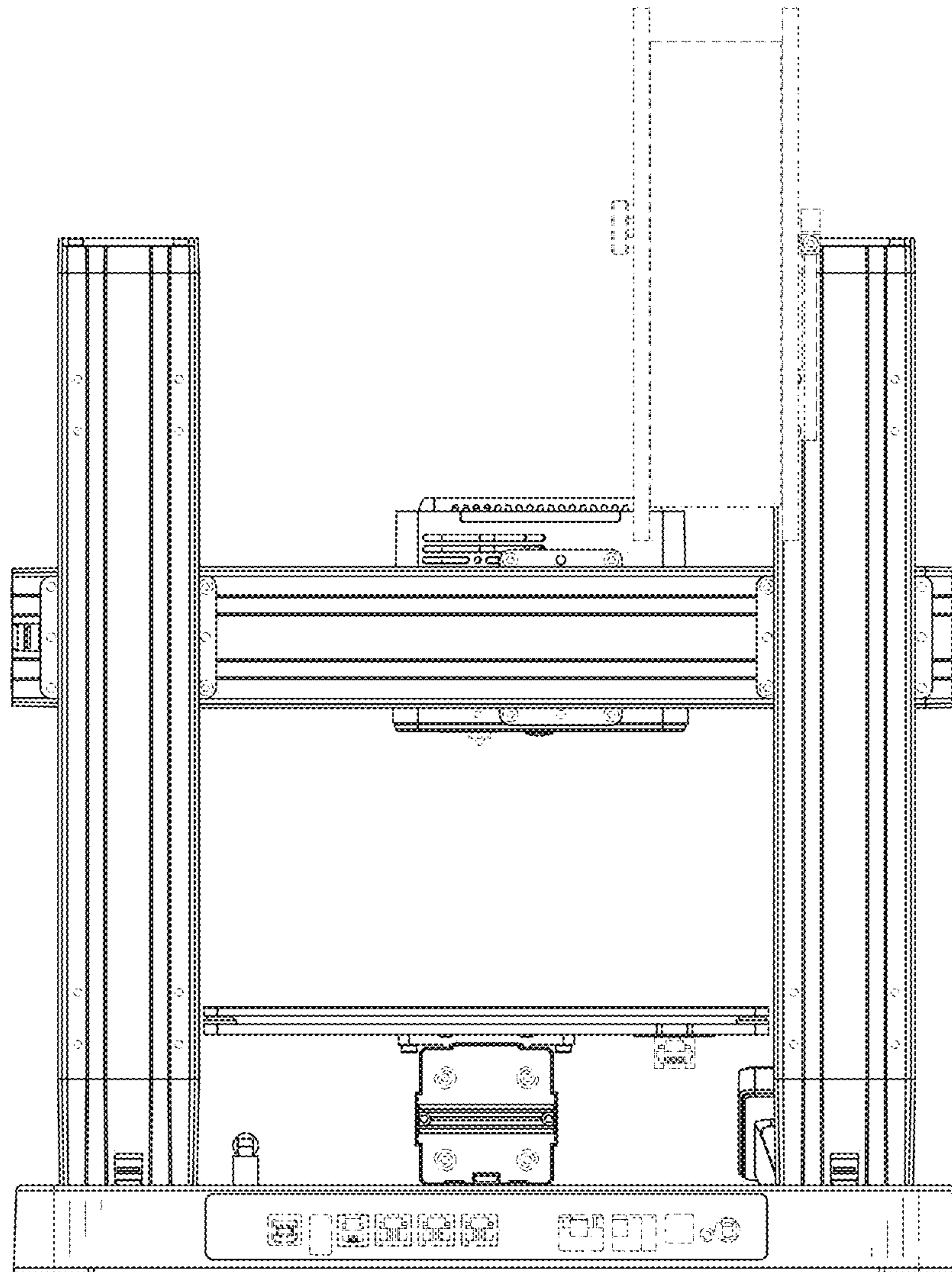


FIG. 4

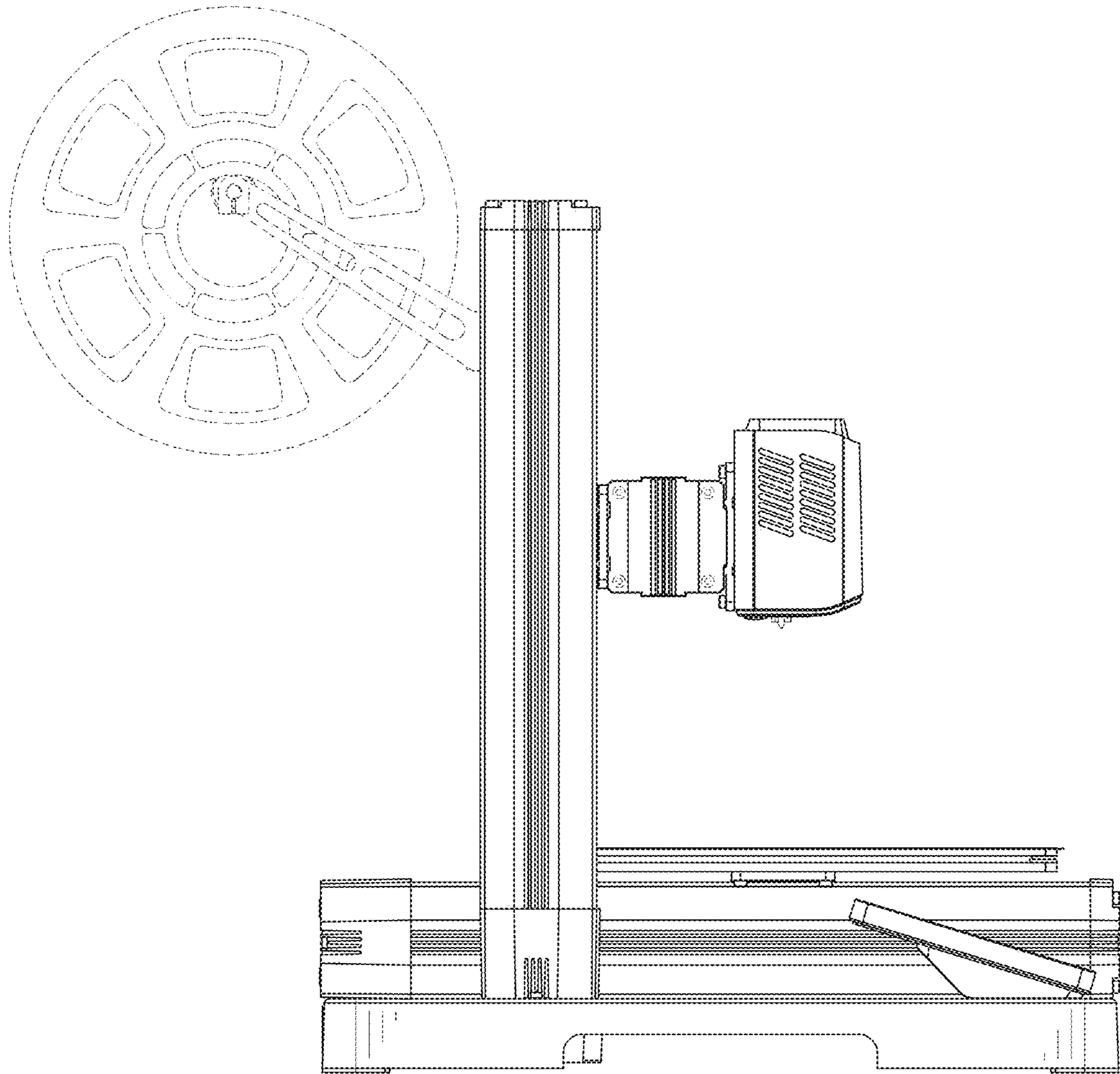


FIG. 5

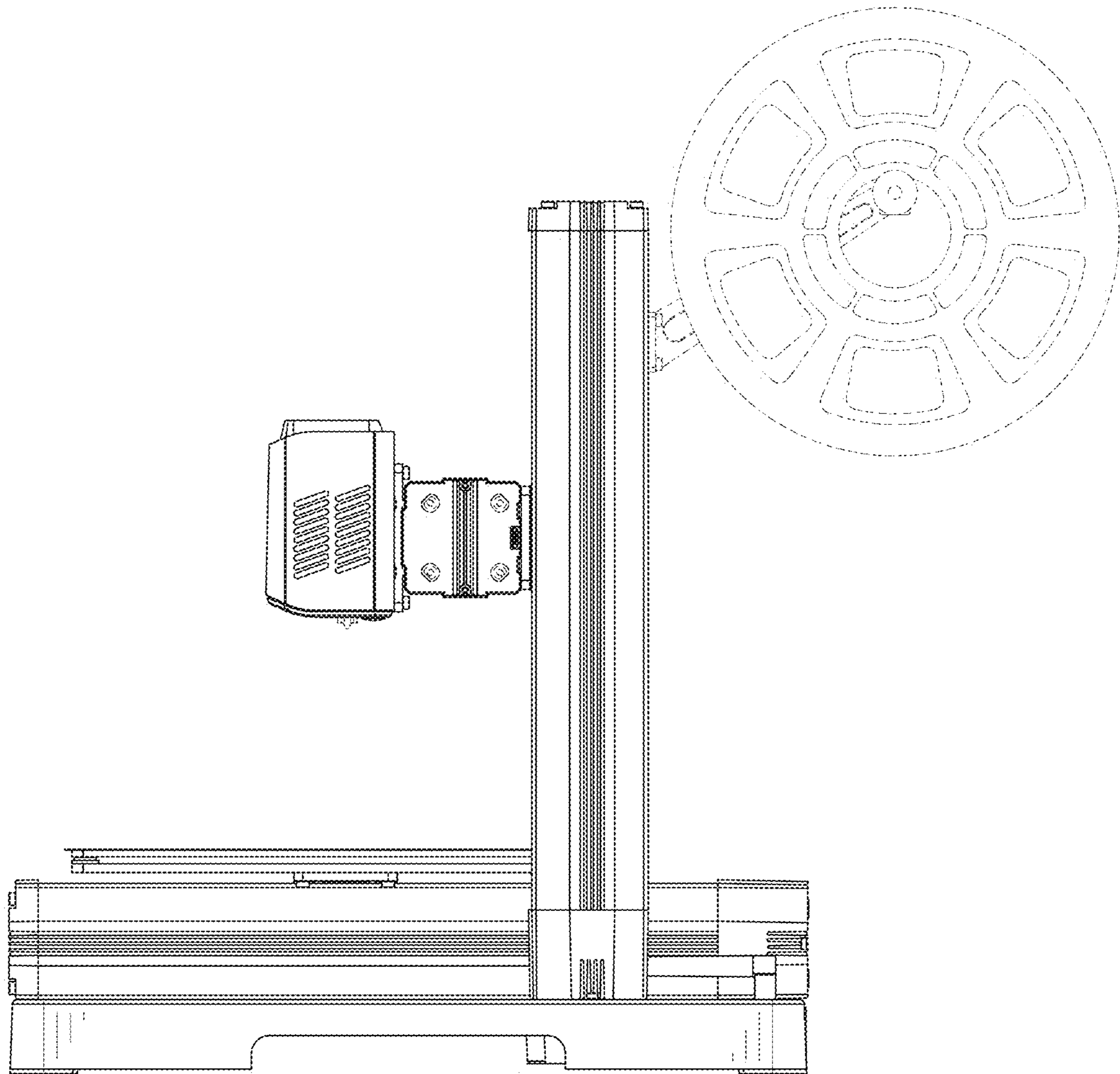


FIG. 6

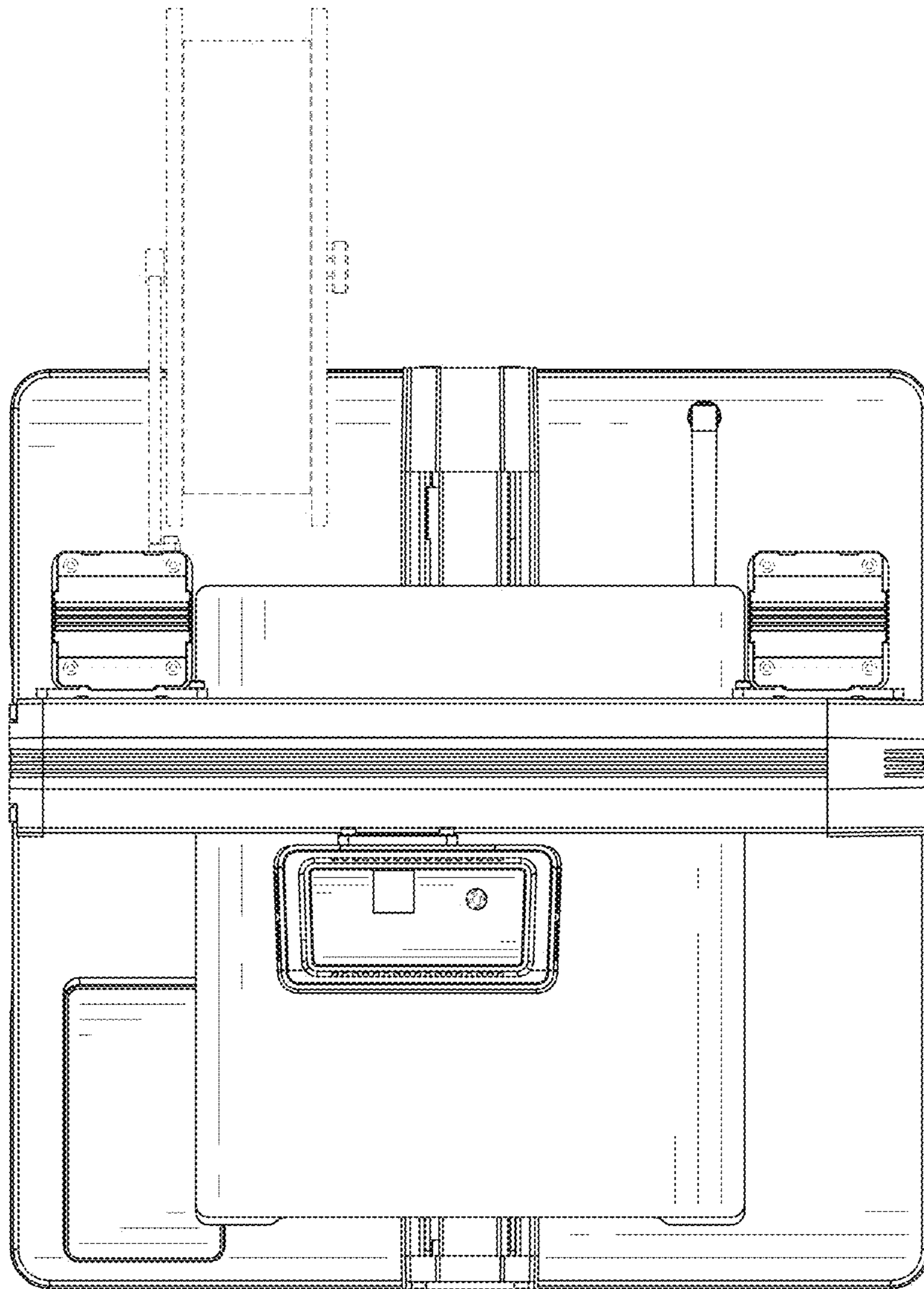


FIG. 7



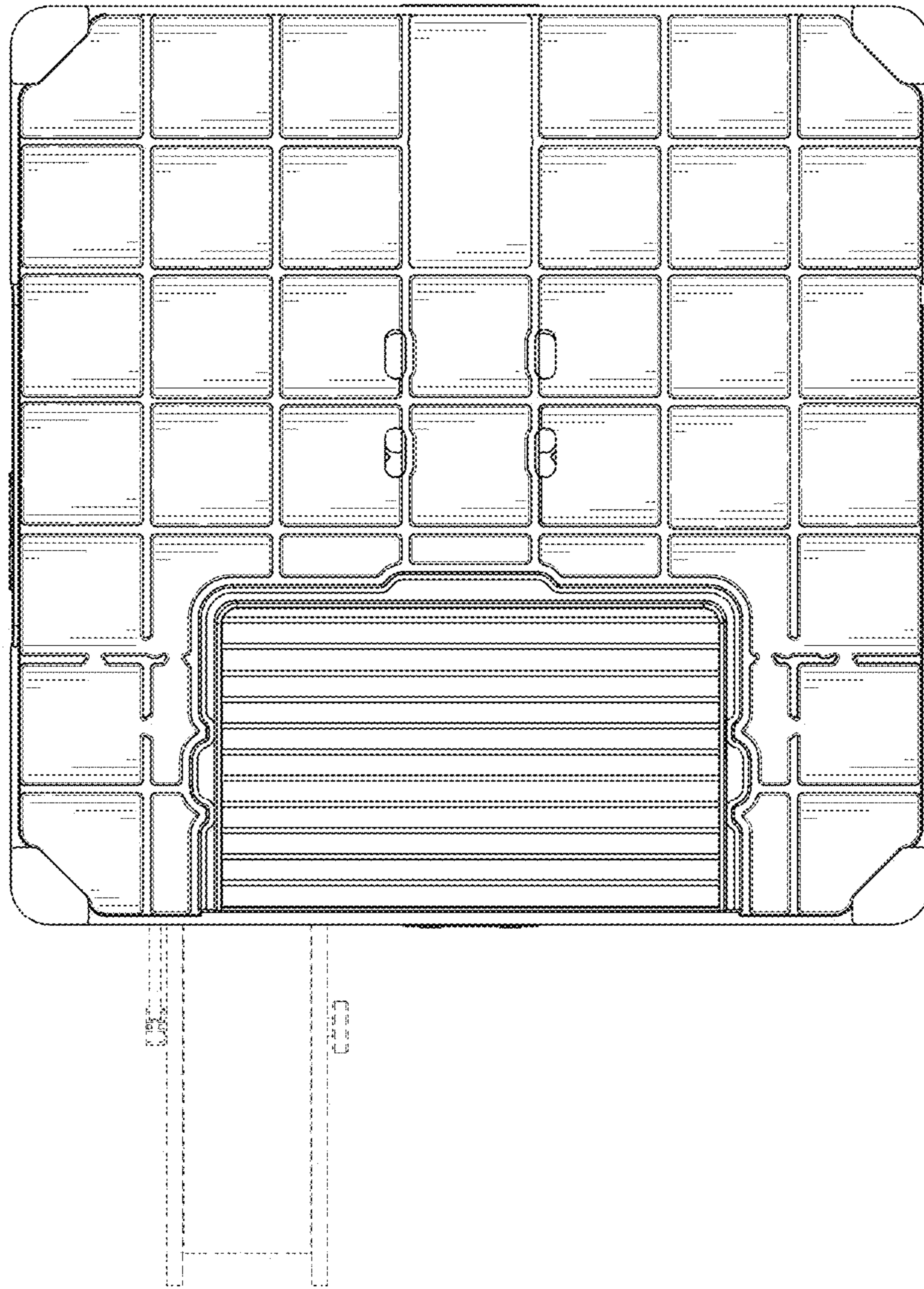


FIG. 8

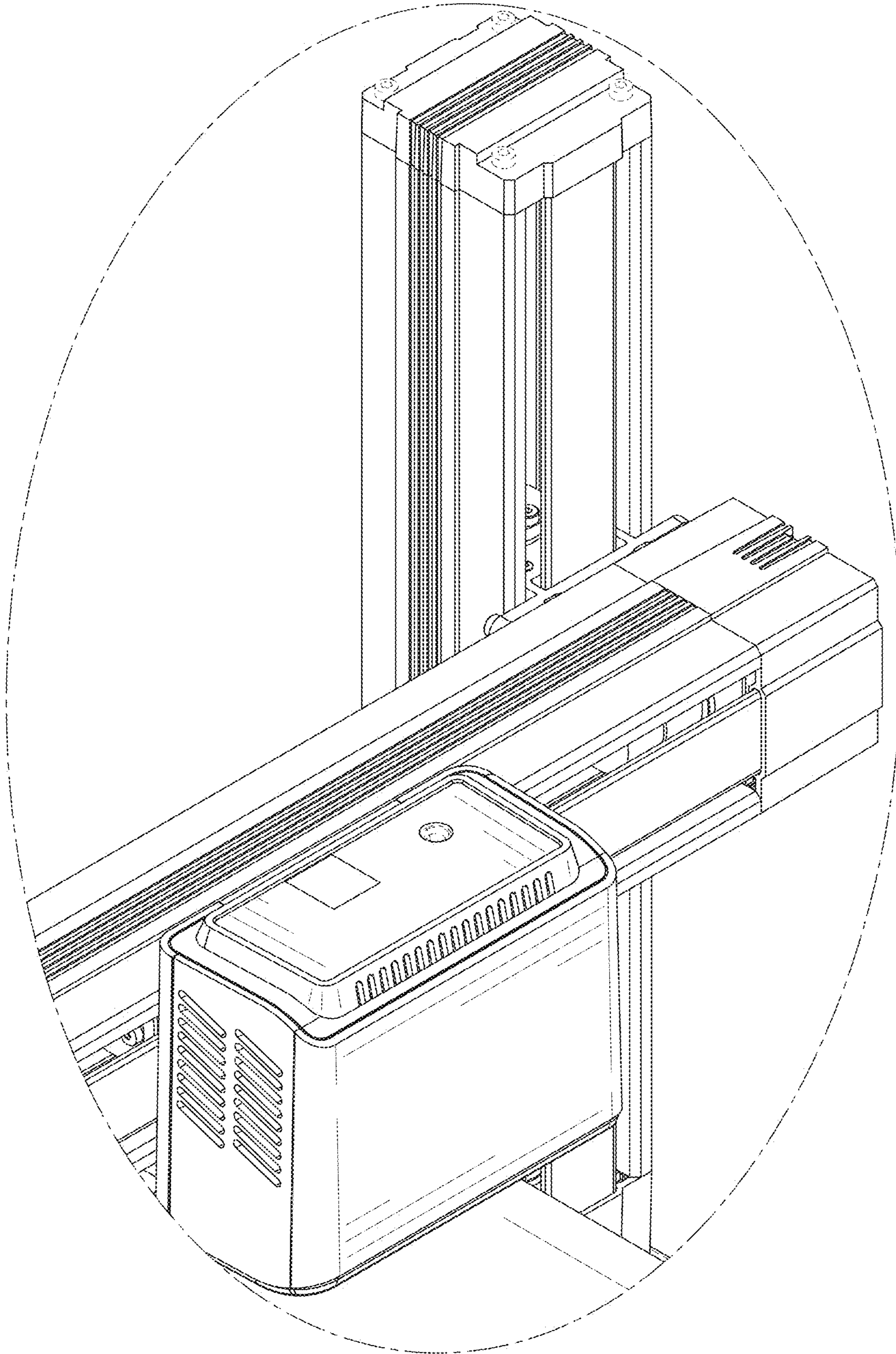


FIG. 9

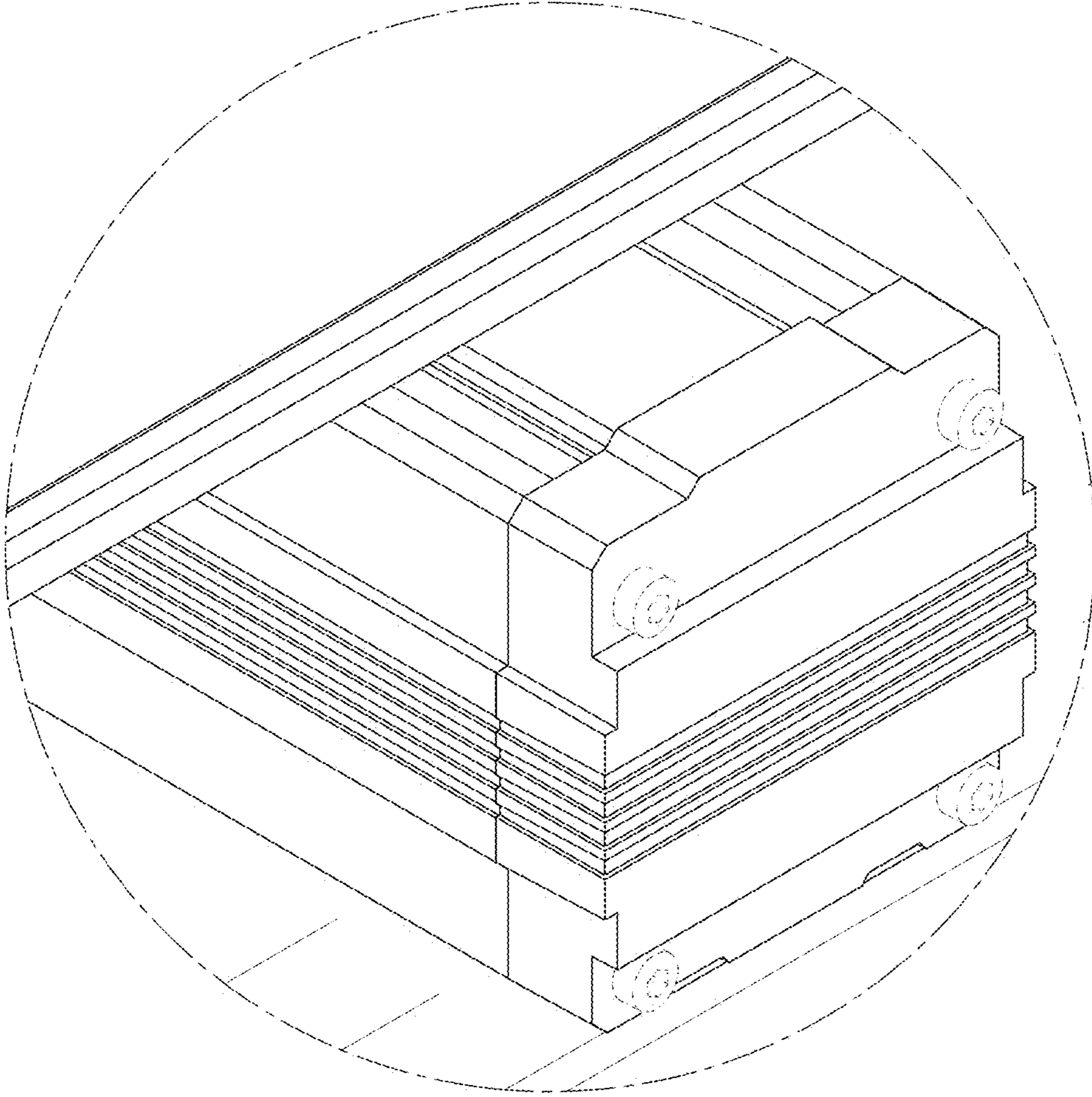


FIG. 10