



US00D925633S

(12) **United States Design Patent**
Busl

(10) **Patent No.:** **US D925,633 S**

(45) **Date of Patent:** **** Jul. 20, 2021**

(54) **GEARBOX COVER**

(71) Applicant: **LOGICDATA Electronic & Software
Entwicklungs GmbH,
Deutschlandsberg (AT)**

(72) Inventor: **Florian Busl, Munich (DE)**

(73) Assignee: **LOGICDATA ELECTRONIC &
SOFTWARE ENTWICKLUNGS
GMBH, Deutschlandsberg (AT)**

(**) Term: **15 Years**

(21) Appl. No.: **29/691,728**

(22) Filed: **May 17, 2019**

(30) **Foreign Application Priority Data**

Dec. 6, 2018 (EM) 005844909-0001

(51) **LOC (13) Cl.** **15-09**

(52) **U.S. Cl.**
USPC **D15/148**

(58) **Field of Classification Search**
USPC D15/1, 2, 3, 4, 5, 149, 148
CPC F16H 2057/0325; F16H 57/033; F16H
19/04; F16H 19/039; B66F 3/18; H01F
7/066

See application file for complete search history.

(56) **References Cited**

U.S. PATENT DOCUMENTS

D143,395 S * 1/1946 Benning D15/149
6,014,915 A * 1/2000 Evans F16H 1/16
74/606 R

D596,652 S * 7/2009 Roither D15/143
D679,303 S * 4/2013 Cibien D15/149
D765,748 S * 9/2016 Bogelund D15/143
D851,147 S * 6/2019 Knudsen D15/148
D872,149 S * 1/2020 Hirabayashi D15/148
2003/0213325 A1* 11/2003 Nguyen F16H 55/22
74/425
2014/0373658 A1* 12/2014 Tamaki H02K 7/1166
74/425
2015/0289665 A1* 10/2015 Klimm A47C 20/046
74/89.14

* cited by examiner

Primary Examiner — Ania Aman

(74) *Attorney, Agent, or Firm* — Slater Matsil, LLP

(57) **CLAIM**

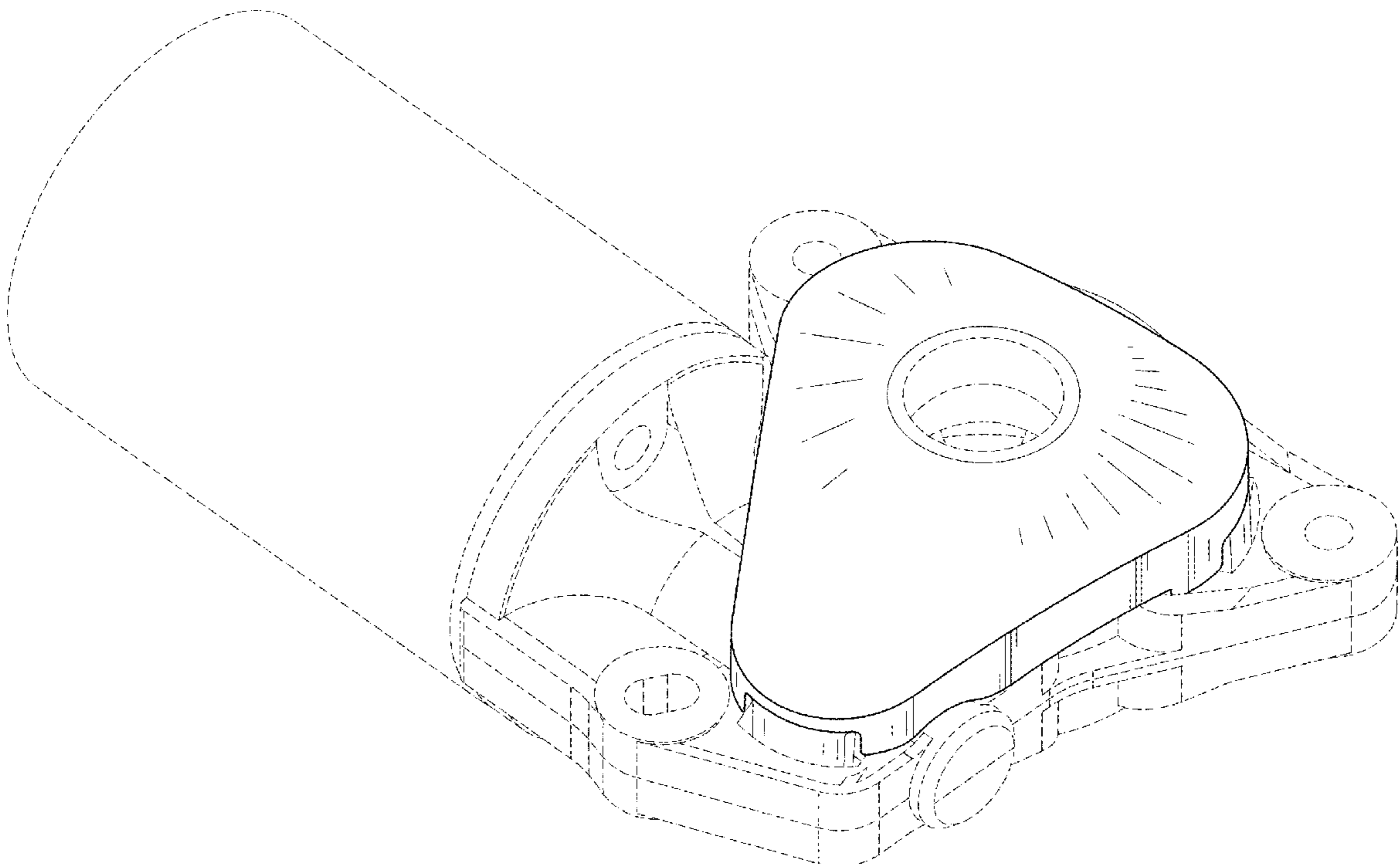
The ornamental design for a gearbox cover, as shown and described.

DESCRIPTION

FIG. 1 is a front perspective view of a gearbox cover;
FIG. 2 is a rear view thereof;
FIG. 3 is a right side view thereof;
FIG. 4 is a front view thereof;
FIG. 5 is a left side view thereof;
FIG. 6 is a top view thereof; and,
FIG. 7 is a bottom view thereof.

The broken lines shown represent the portions of the gearbox cover that form no part of the claimed design.

1 Claim, 7 Drawing Sheets



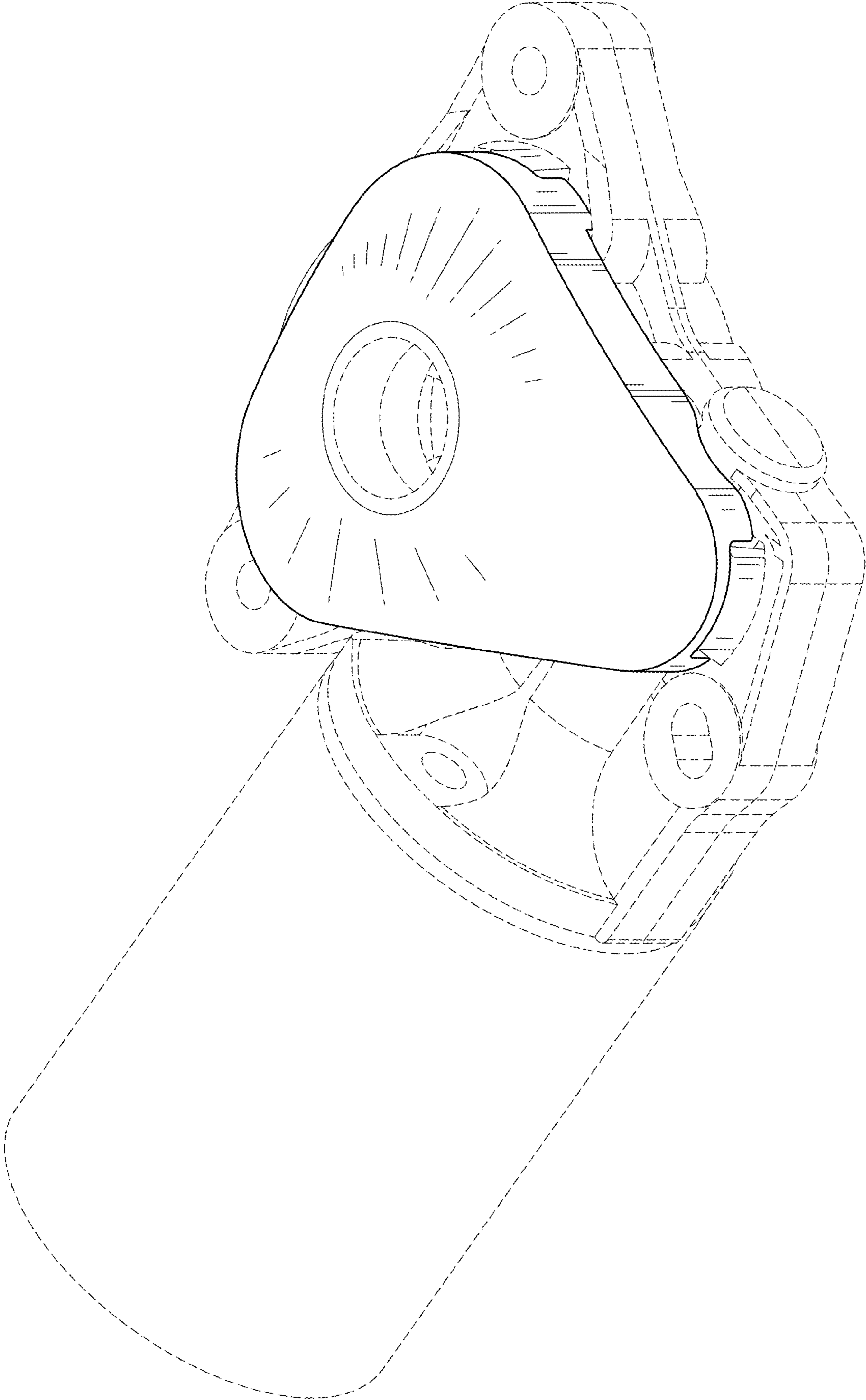


FIG. 1

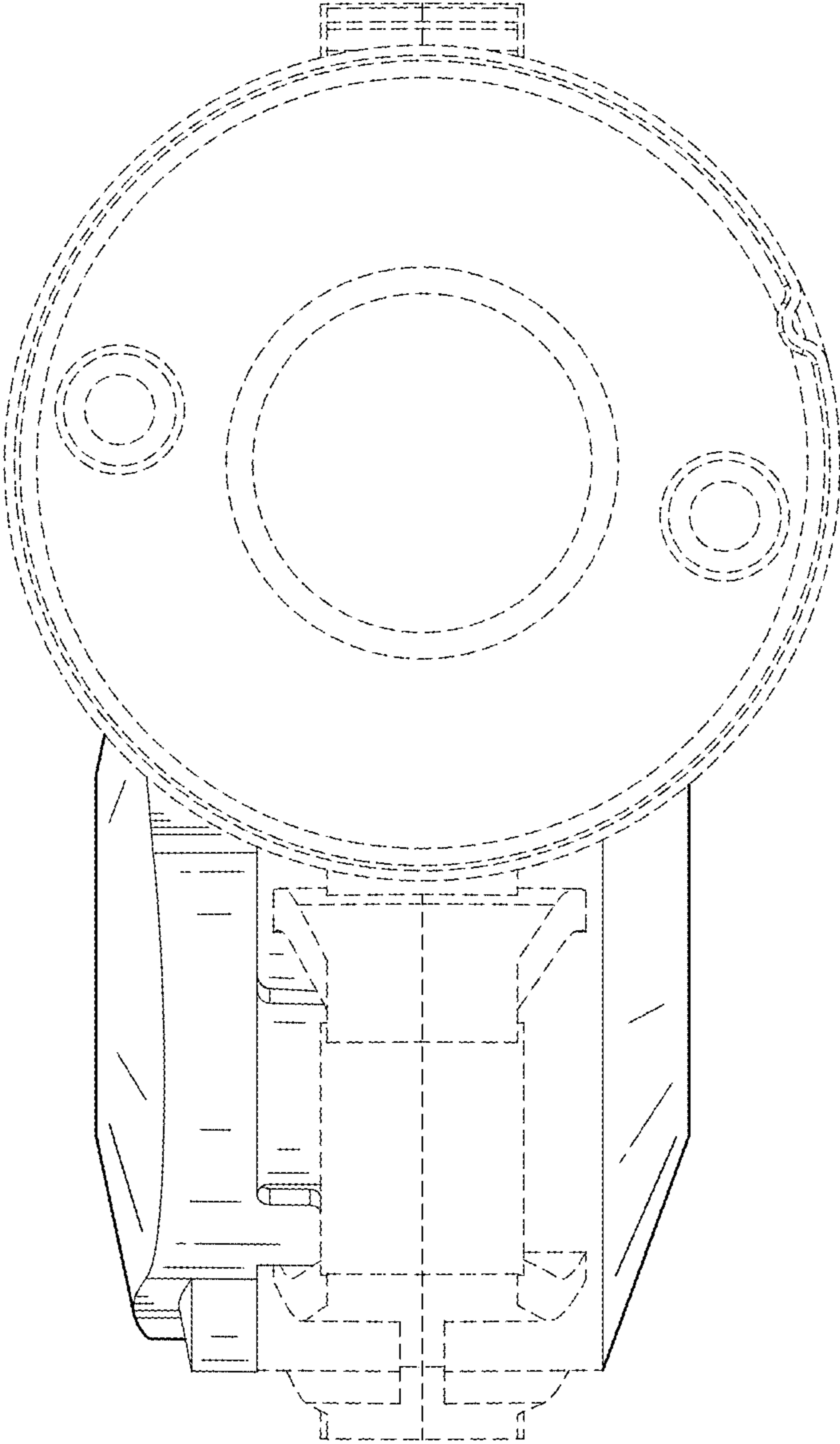


FIG. 2

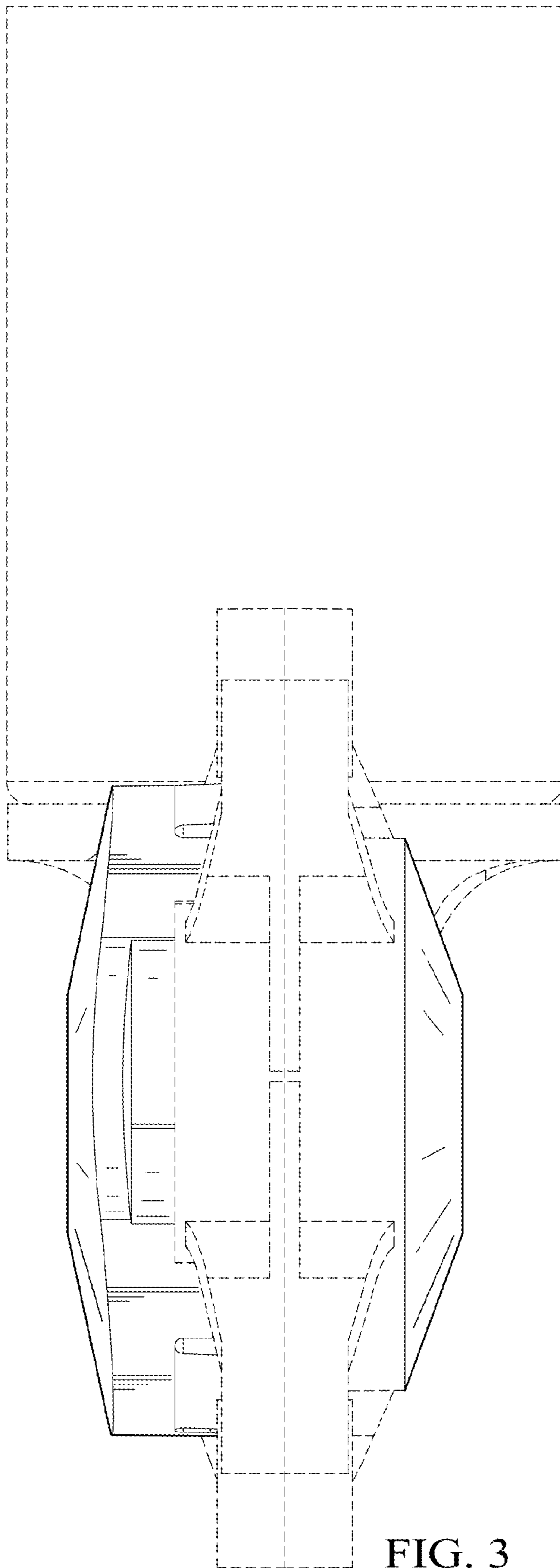


FIG. 3

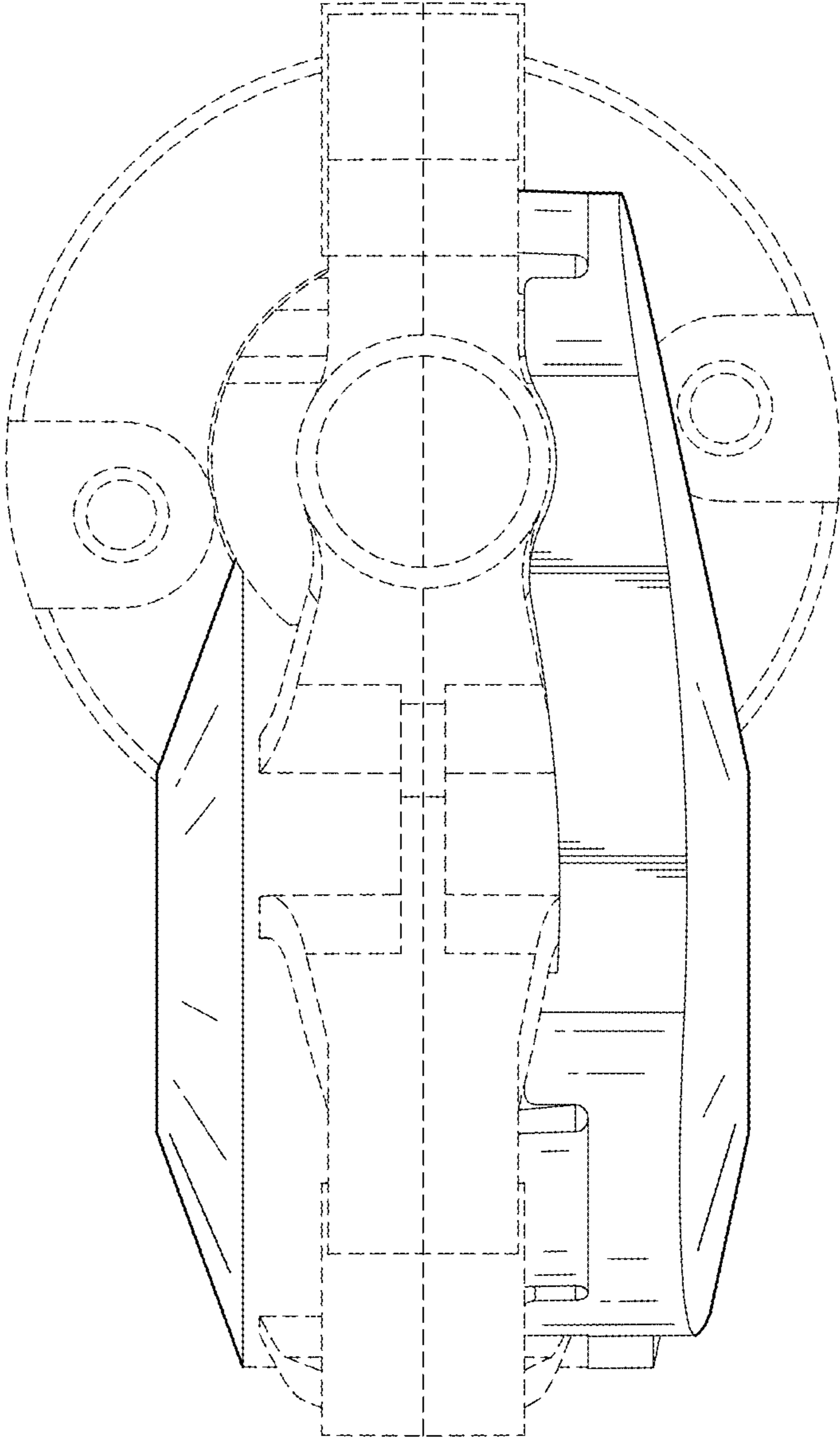


FIG. 4

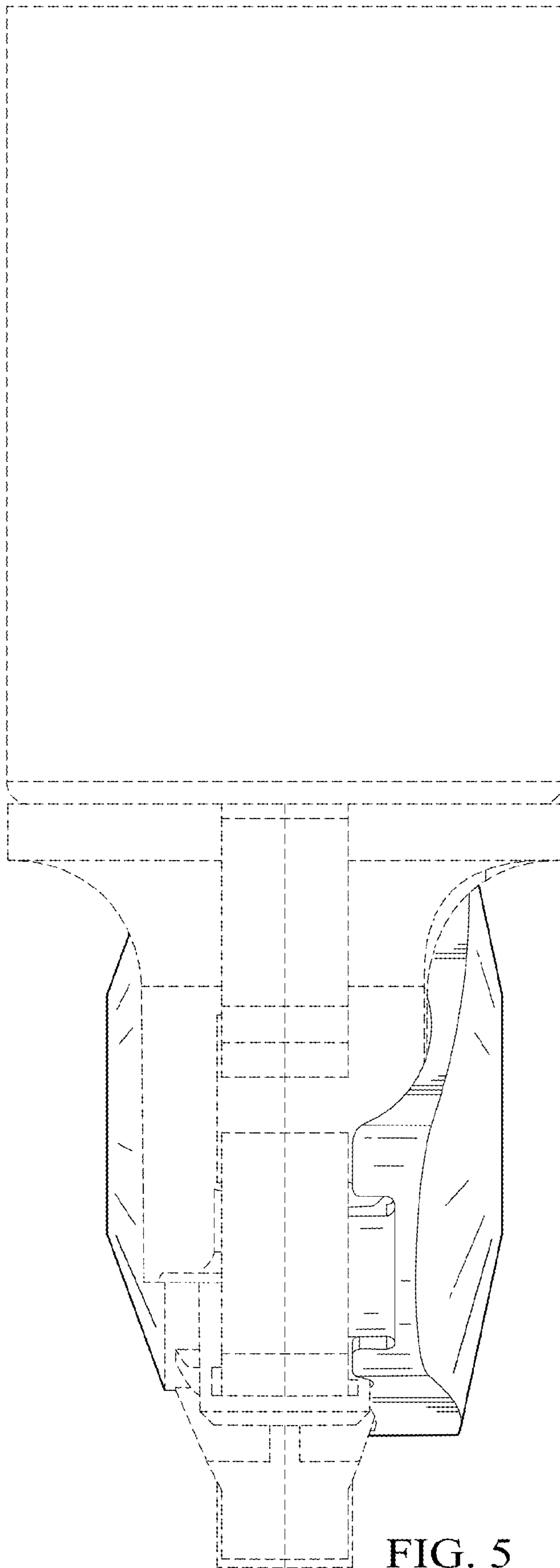


FIG. 5

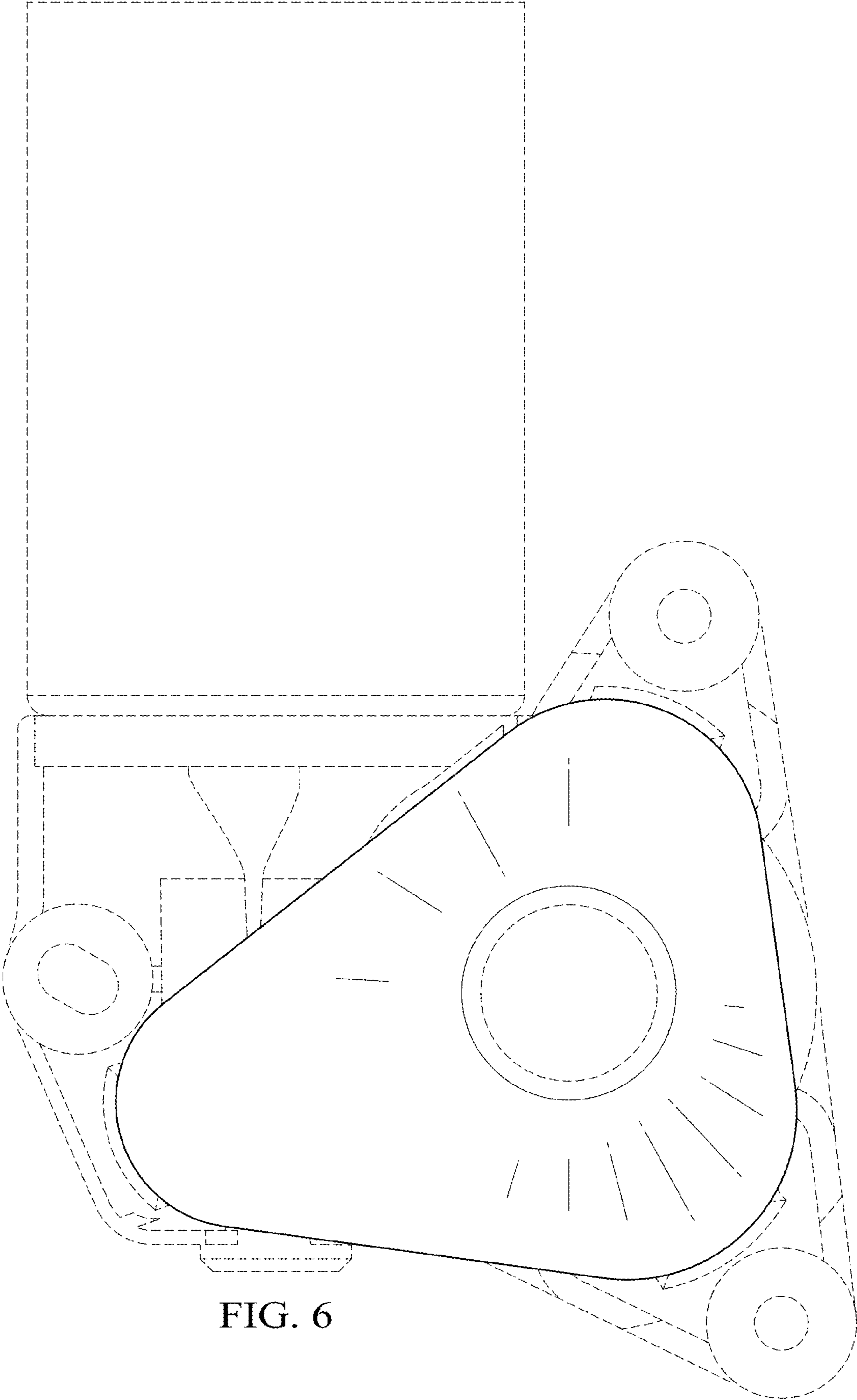


FIG. 6

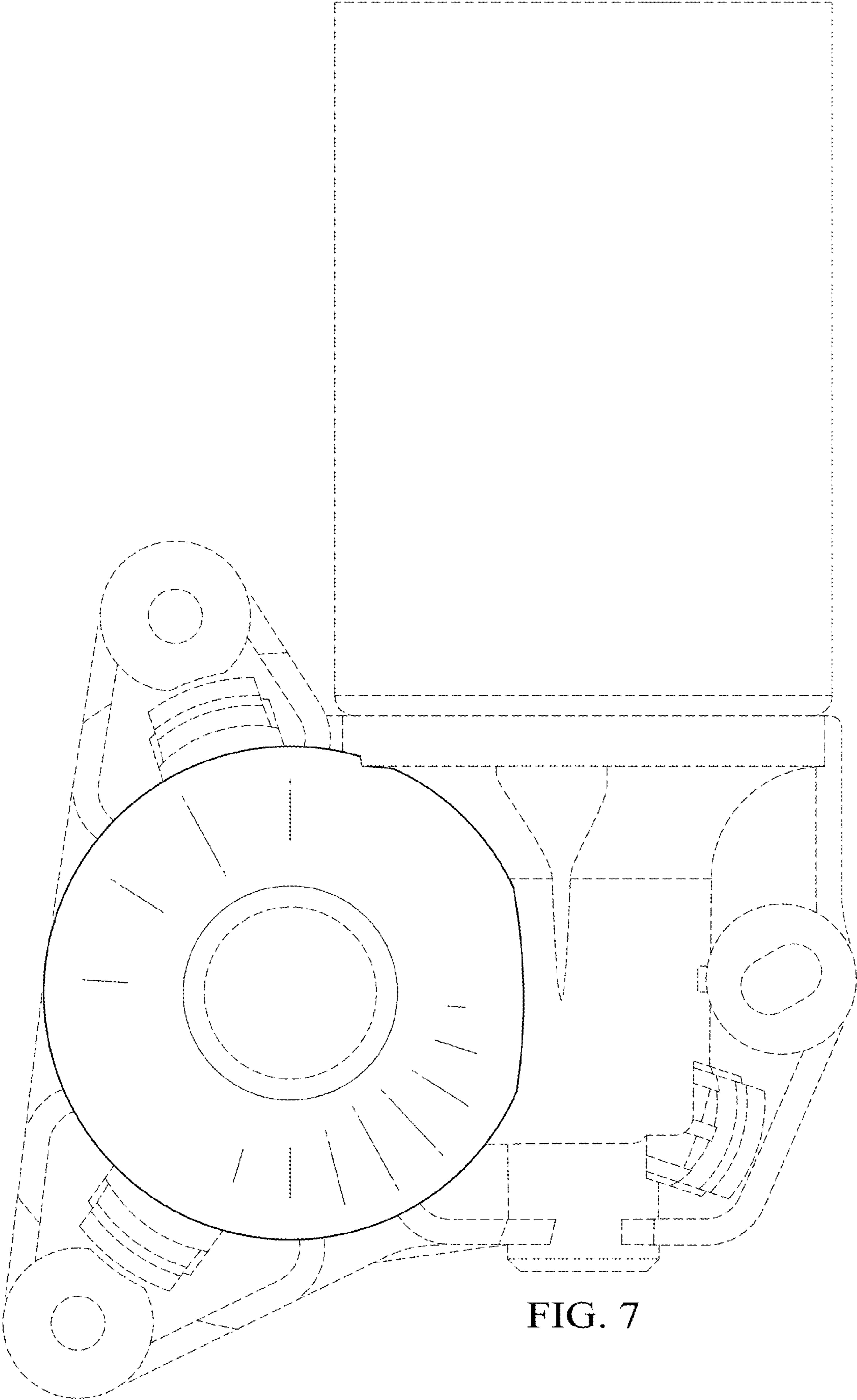


FIG. 7