



US00D925629S

(12) **United States Design Patent** (10) **Patent No.:** **US D925,629 S**
Baldwin et al. (45) **Date of Patent:** **** Jul. 20, 2021**

(54) **BUTANE TORCH**

(71) Applicants: **Jeffrey P. Baldwin**, Anthem, AZ (US);
John E. Klein, Chandler, AZ (US)

(72) Inventors: **Jeffrey P. Baldwin**, Anthem, AZ (US);
John E. Klein, Chandler, AZ (US)

(**) Term: **15 Years**

(21) Appl. No.: **29/684,270**

(22) Filed: **Mar. 19, 2019**

(51) **LOC (13) Cl.** **15-09**

(52) **U.S. Cl.**
USPC **D15/144**; D8/30

(58) **Field of Classification Search**
USPC D15/144; D7/368, 416; D8/29.1, 30, 33,
D8/107; 431/287
CPC F23D 14/28; F23D 14/465; F23D 14/76;
F23N 1/007; F23Q 13/00; B23K 9/007
See application file for complete search history.

(56) **References Cited**

U.S. PATENT DOCUMENTS

- D242,984 S * 1/1977 Petty D8/303
- D260,846 S * 9/1981 Summers 219/121.39
- D477,507 S * 7/2003 Lin D8/30
- D564,319 S * 3/2008 Tsai D15/144
- D587,975 S * 3/2009 Aronson, II D15/144
- D689,356 S * 9/2013 Yang D8/107
- D718,358 S * 11/2014 McKinley D15/144.2
- D771,727 S * 11/2016 Imi D15/144
- D803,649 S * 11/2017 van der Rest D8/68
- D844,405 S * 4/2019 Shen D8/29.1
- D846,963 S * 4/2019 van der Rest D8/68
- D847,232 S * 4/2019 Zahriya D15/144
- D861,429 S * 10/2019 Lin D7/416
- D867,413 S * 11/2019 Tsai D15/144
- D867,492 S * 11/2019 Didia D21/694
- D867,842 S * 11/2019 Shimazu D8/29.1
- D868,857 S * 12/2019 Wu D15/144
- D882,654 S * 4/2020 Tsai D15/144

- D894,246 S * 8/2020 Tsai D15/144
- 2012/0244480 A1 * 9/2012 Tsai F23D 14/465
431/153
- 2016/0097530 A1 * 4/2016 Tsai F23D 14/28
431/255

FOREIGN PATENT DOCUMENTS

CN 304754785 * 8/2018

OTHER PUBLICATIONS

TriggerTorch; Adjustable Broad or Pinpoint Flame, Built In Refill-able, Earliest available date Nov. 19, 2020 [Online], [Site visited Nov. 19, 2020] Available From Internet, URL in PDF (Year: 2020).*

(Continued)

Primary Examiner — Sheryl Lane
Assistant Examiner — Mark T. Philipps
(74) *Attorney, Agent, or Firm* — Booth Udall Fuller, PLC; Kenneth C. Booth

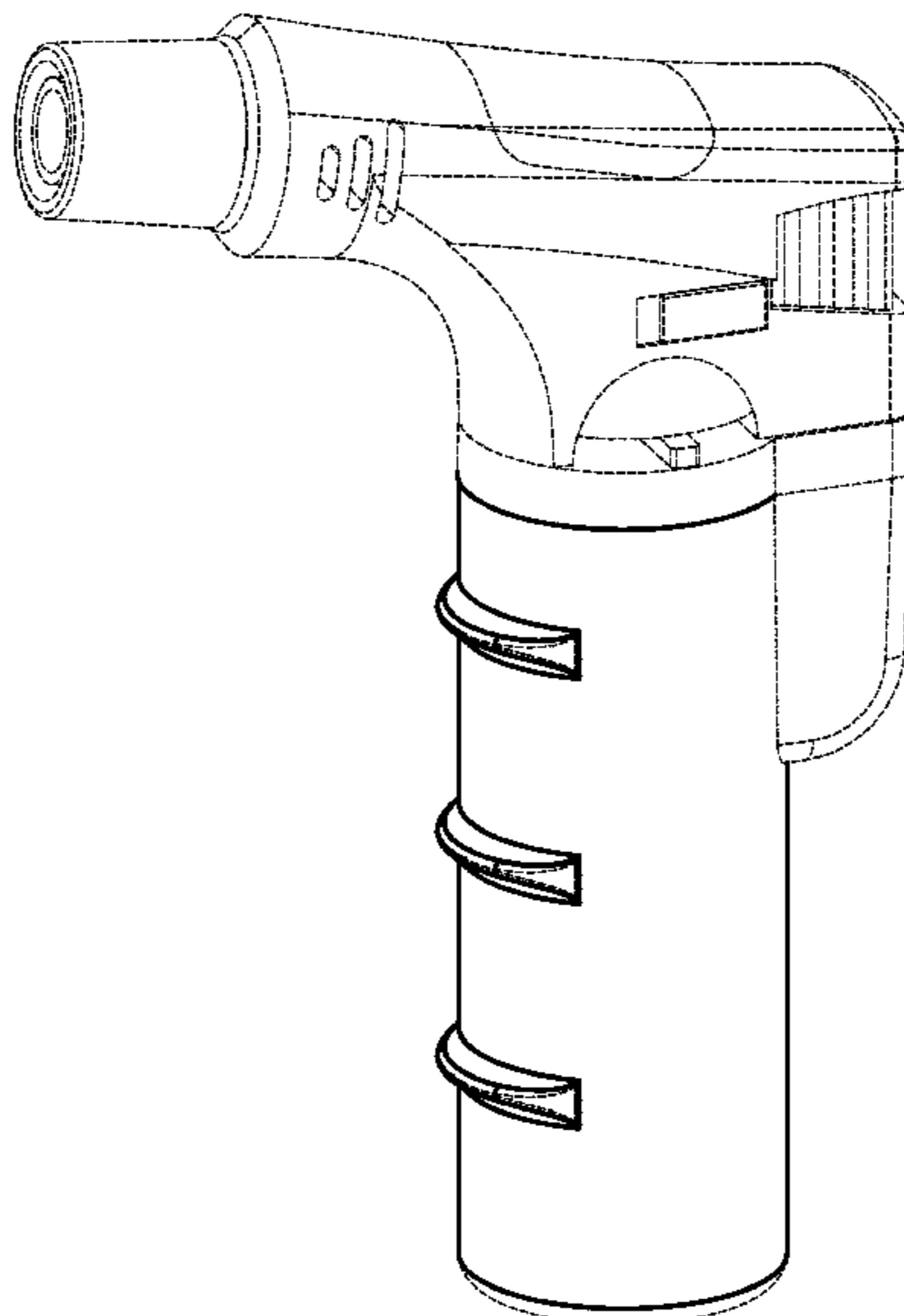
(57) **CLAIM**

The ornamental design for a butane torch, as shown and described.

DESCRIPTION

FIG. 1 is a back view of a butane torch;
FIG. 2 is a right side view thereof, the right side view is a mirror image of the left side view;
FIG. 3 is a top view thereof;
FIG. 4 is a bottom view thereof;
FIG. 5 is a front view thereof; and,
FIG. 6 is a left side perspective view thereof.
The broken lines illustrate portions of the butane torch that form no part of the claimed design.

1 Claim, 6 Drawing Sheets



(56)

References Cited

OTHER PUBLICATIONS

Blazer 'Fire Fox' Butane Torch, Earliest available date Nov. 19, 2020 [Online], [Site visited Nov. 19, 2020] Available From Internet, URL: <<https://www.esslinger.com/blazer-fire-fox-butane-torch/>> (Year: 2020).*

* cited by examiner

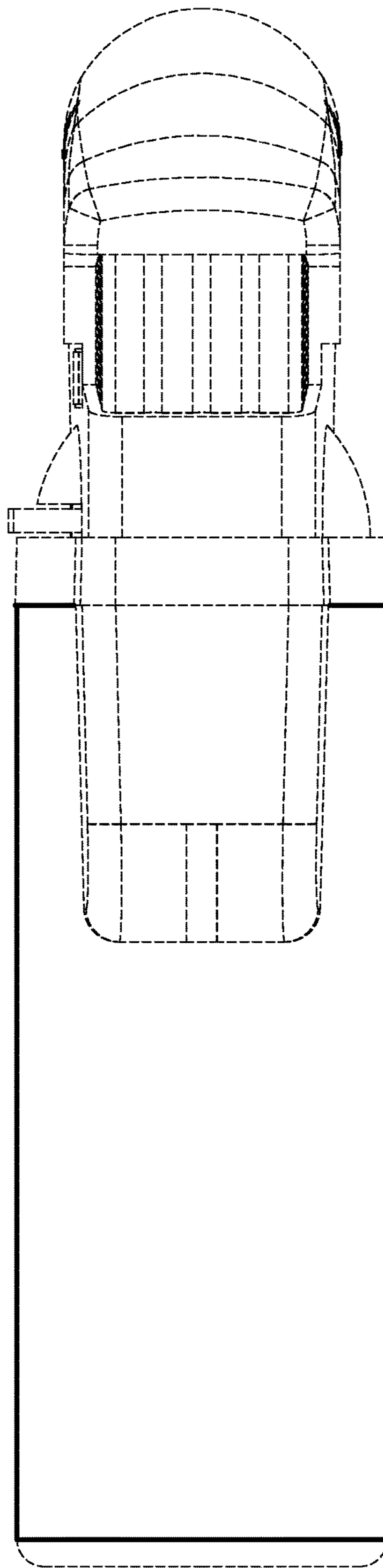


FIG. 1

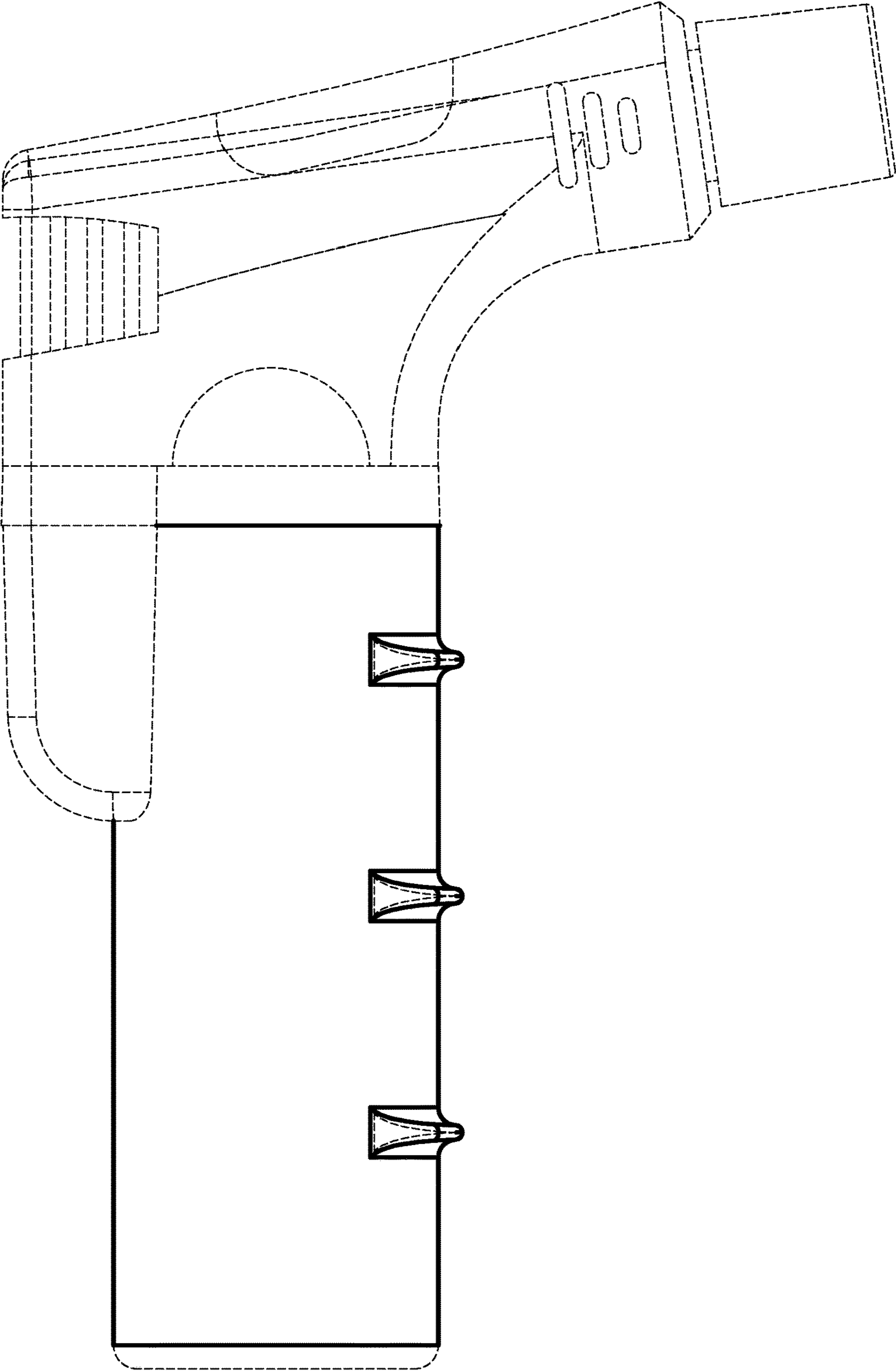


FIG. 2

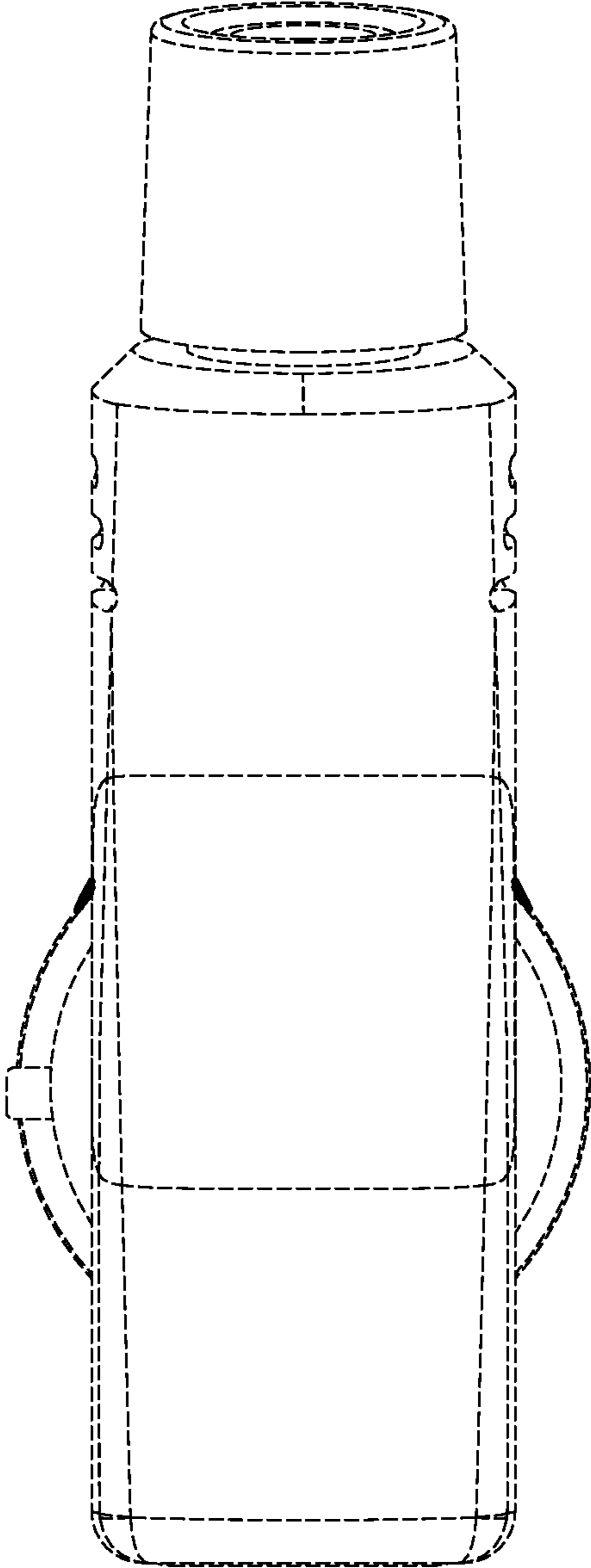


FIG. 3

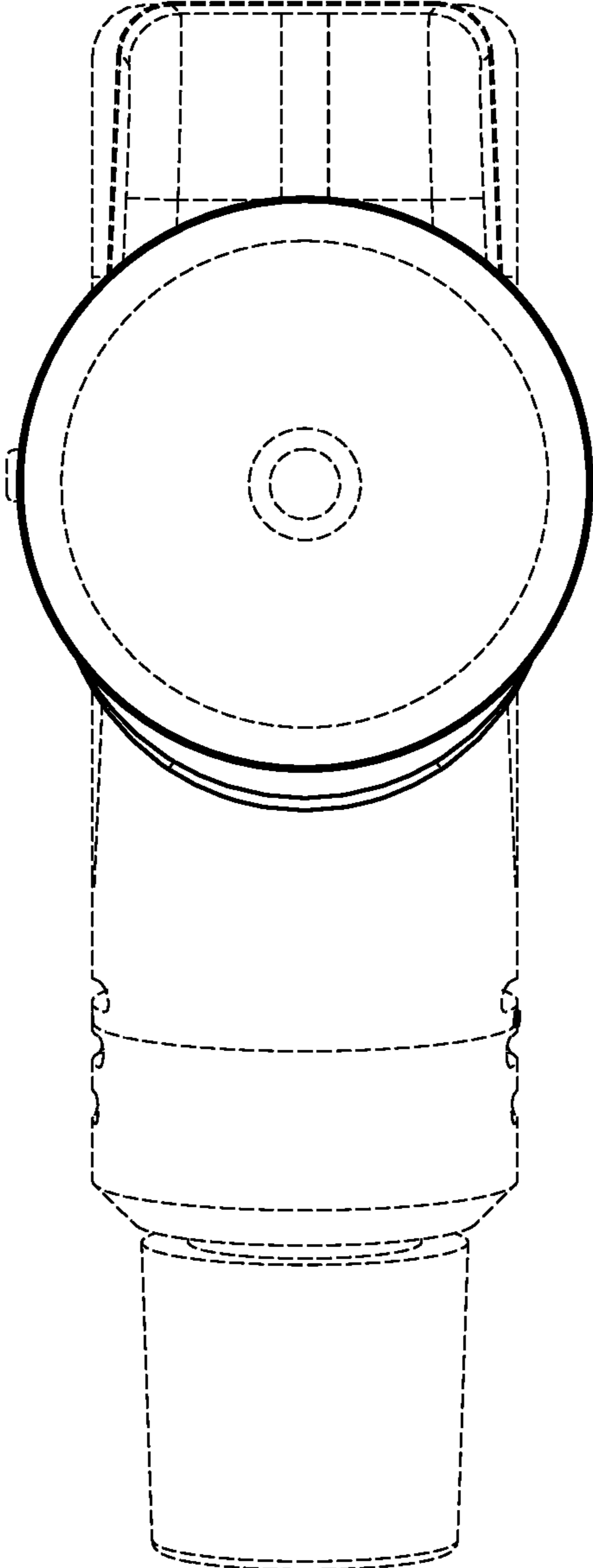


FIG. 4

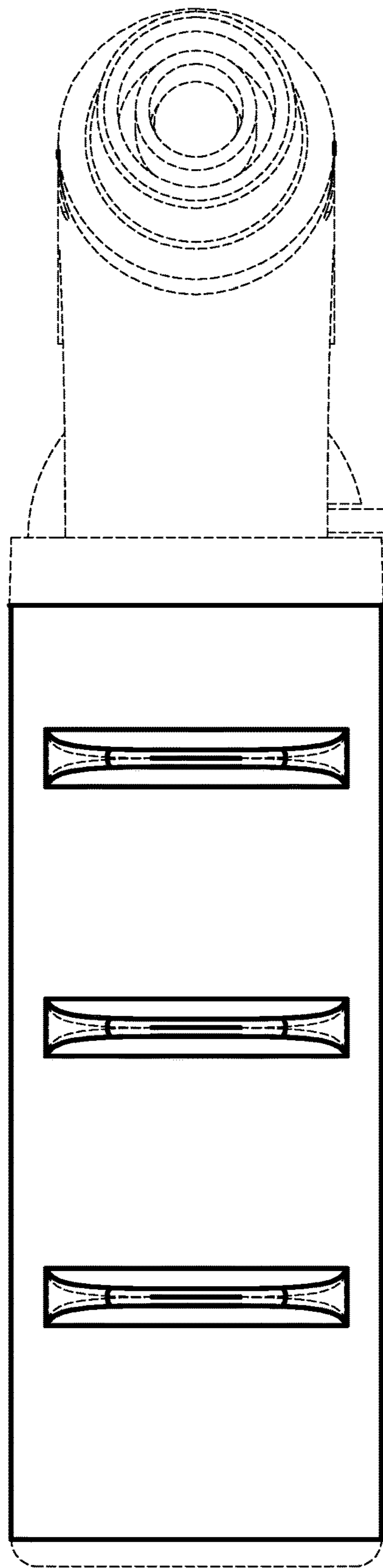


FIG. 5

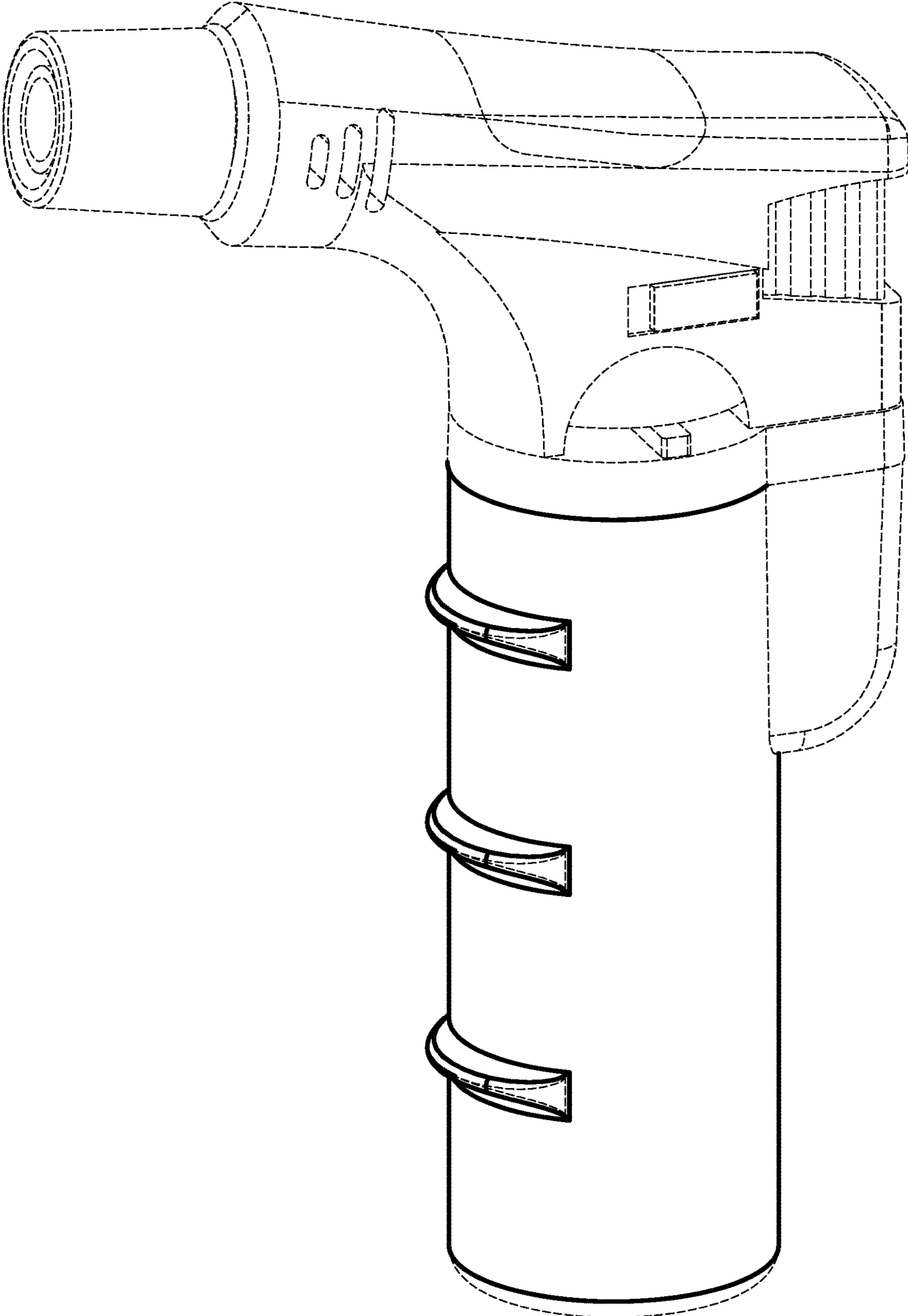


FIG. 6