



US00D925624S

(12) **United States Design Patent**
Morita

(10) **Patent No.:** **US D925,624 S**
(45) **Date of Patent:** **** Jul. 20, 2021**

- (54) **CAM UNIT**
- (71) Applicant: **SANKYO OILLESS INDUSTRY, INC.**, Tokyo (JP)
- (72) Inventor: **Atsushi Morita**, Tokyo (JP)
- (73) Assignee: **SANKYO OILLESS INDUSTRY, INC.**, Tokyo (JP)
- (**) Term: **15 Years**
- (21) Appl. No.: **29/664,672**
- (22) Filed: **Sep. 27, 2018**
- (30) **Foreign Application Priority Data**

Mar. 30, 2018 (JP) 2018-006970

- (51) **LOC (13) Cl.** **15-09**
- (52) **U.S. Cl.**
USPC **D15/128**
- (58) **Field of Classification Search**
USPC D15/128
CPC B21D 28/32; B21D 28/20; B21D 28/325;
B21D 19/08; B21D 19/084; B21D 37/08;
B21D 37/01; B21D 22/02; B21D 5/04;
Y10T 83/8853; Y10T 83/8785; Y10T
83/8841; Y10T 83/8831; Y10T 83/885;
Y10T 83/8878; Y10T 29/49826; Y10T
74/18992; Y10T 74/2101; Y10T 74/2102
See application file for complete search history.

(56) **References Cited**
U.S. PATENT DOCUMENTS

- D245,164 S * 7/1977 Persik D15/128
- 5,101,705 A * 4/1992 Matsuoka B21D 28/32
72/452.9
- 5,487,296 A * 1/1996 Gerhart B21D 19/08
72/304

- 5,904,064 A * 5/1999 Higuchi B21D 28/32
72/304
- 6,164,115 A * 12/2000 Higuchi B21D 19/08
72/315
- 6,220,137 B1 * 4/2001 Matsuoka B21D 28/32
72/452.9
- 7,114,364 B2 * 10/2006 Weigelt B21D 28/32
72/452.9
- 7,134,313 B2 * 11/2006 Chun B21D 28/32
72/452.9
- 8,327,760 B2 * 12/2012 Takahashi B21D 28/32
100/265
- 8,332,062 B2 * 12/2012 Kako G06F 30/00
700/98
- 8,689,600 B2 * 4/2014 Weigelt B21D 28/32
72/452.9
- 8,863,566 B2 * 10/2014 Weigelt B21D 19/08
72/452.9
- 2011/0167954 A1 * 7/2011 Shibata B21D 37/01
74/567

* cited by examiner

Primary Examiner — Nathaniel D. Buckner
(74) *Attorney, Agent, or Firm* — Wenderoth, Lind & Ponack, L.L.P.

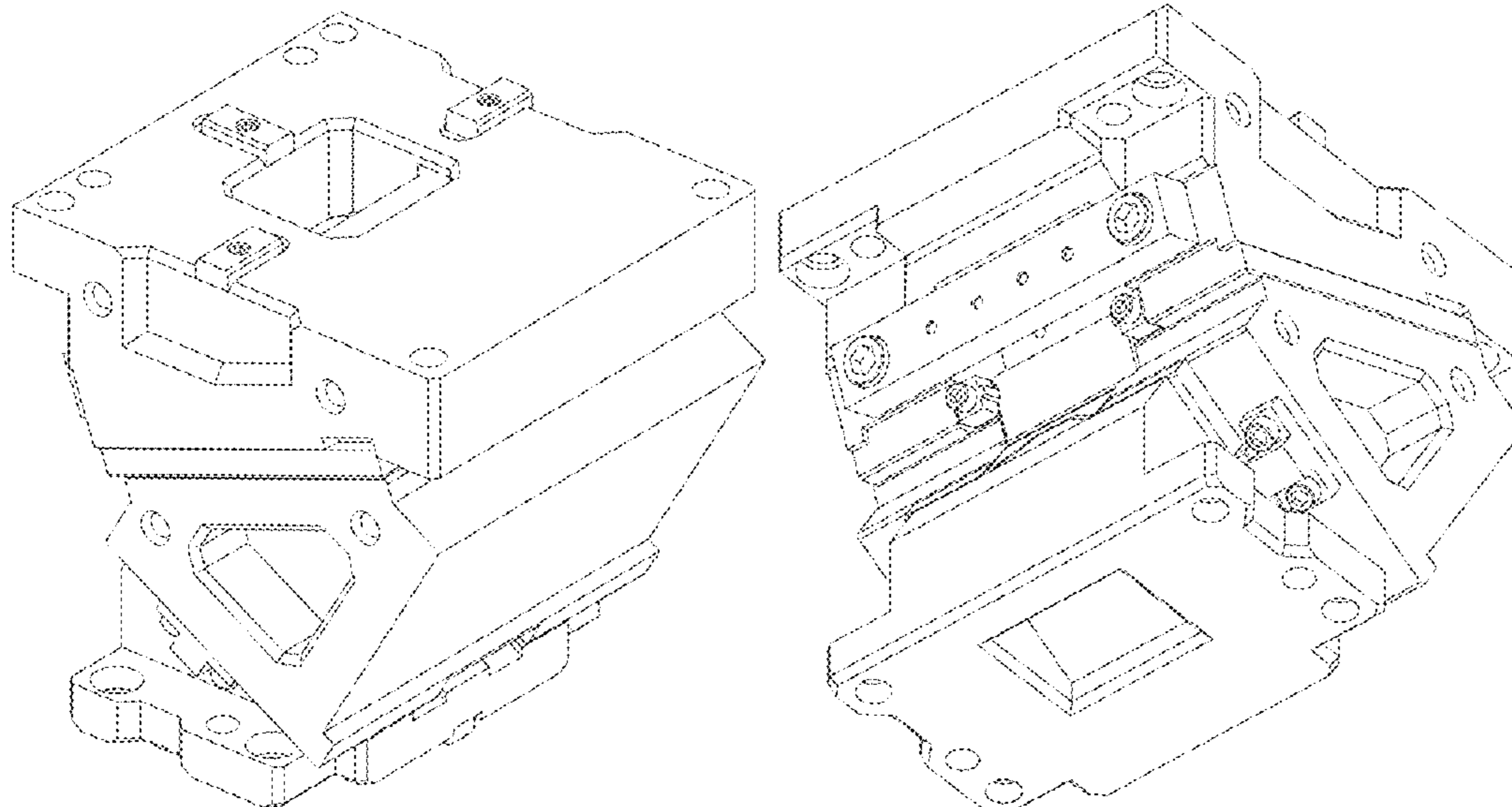
(57) **CLAIM**

The ornamental design for a cam unit, as shown and described.

DESCRIPTION

FIG. 1 is a bottom view of a cam unit;
FIG. 2 is a front view thereof;
FIG. 3 is a left side view thereof;
FIG. 4 is a rear view thereof;
FIG. 5 is a perspective view thereof;
FIG. 6 is a perspective view thereof;
FIG. 7 is a right side view thereof; and,
FIG. 8 is a top view thereof.
The broken lines of FIGS. 4, 7 and 8 illustrate portions of the cam unit that form no part of the claimed design.

1 Claim, 8 Drawing Sheets



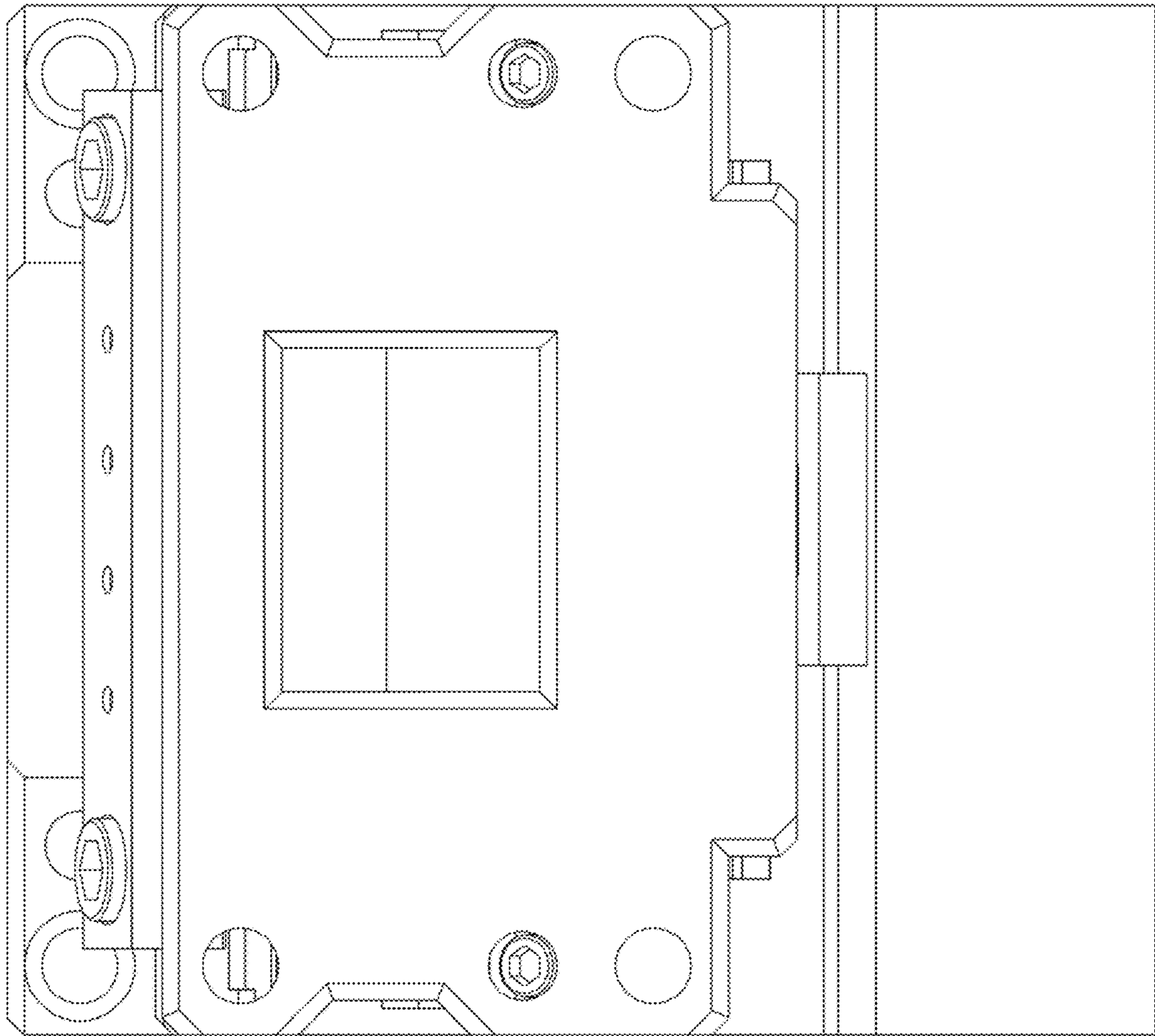


FIG. 1

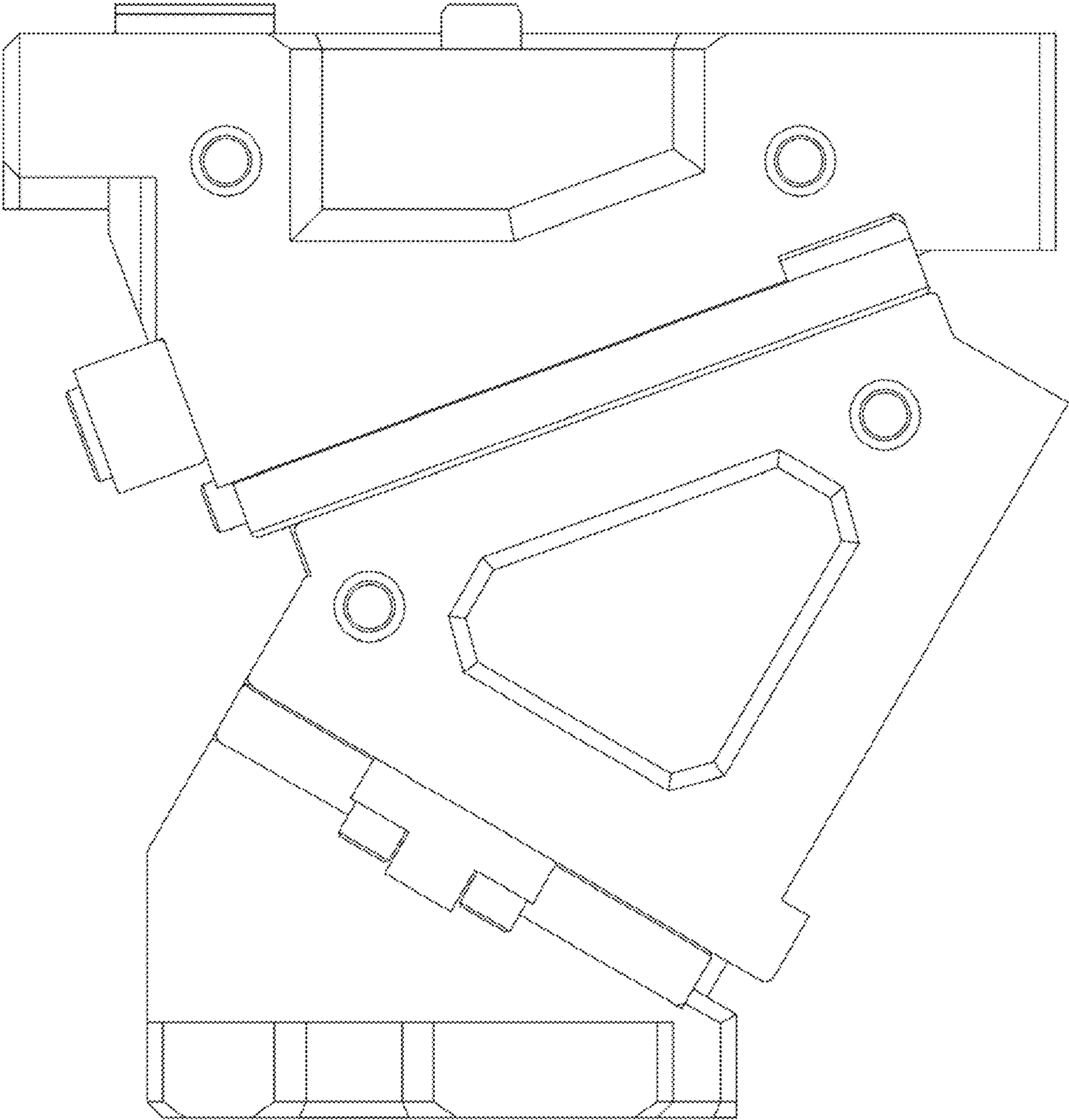


FIG. 2

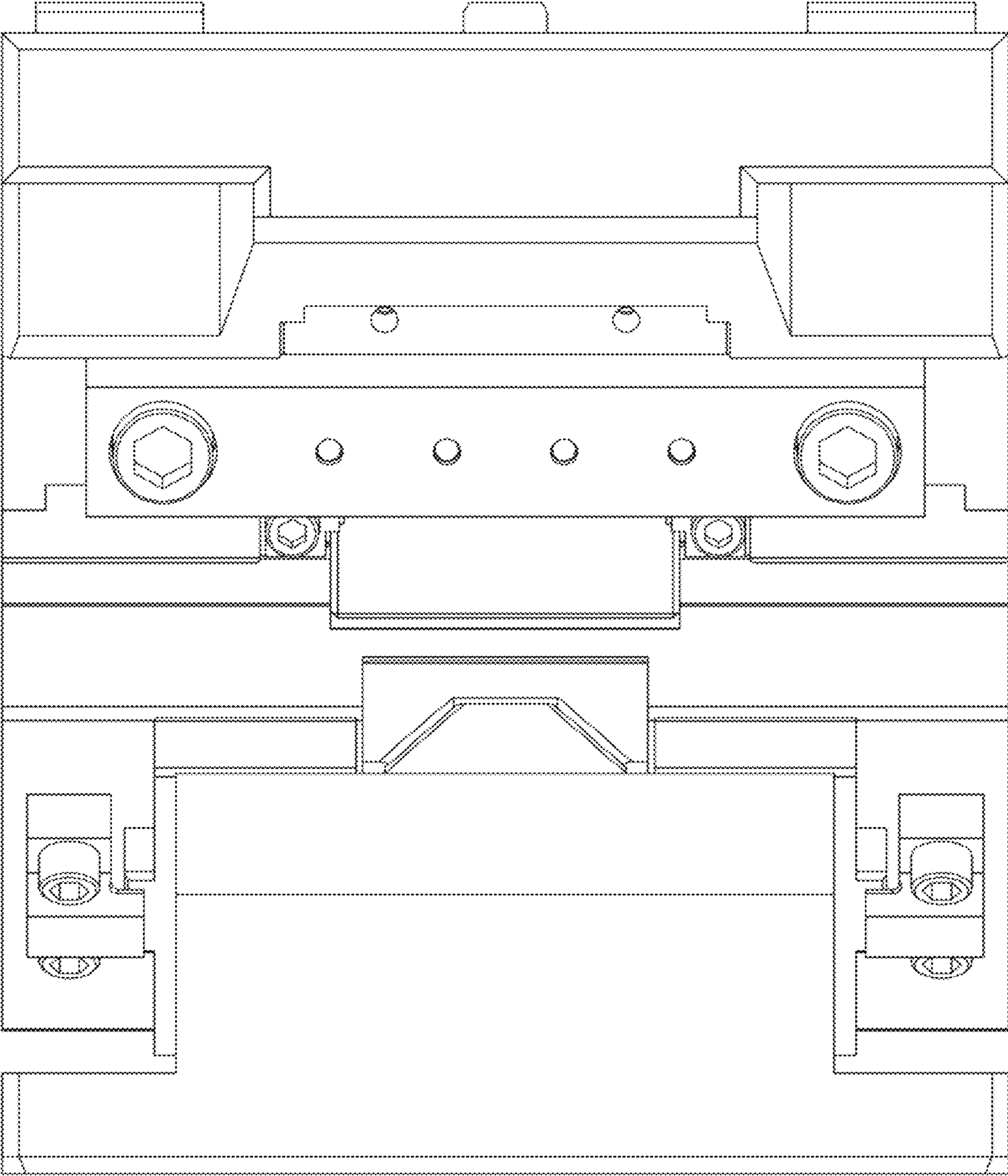


FIG. 3

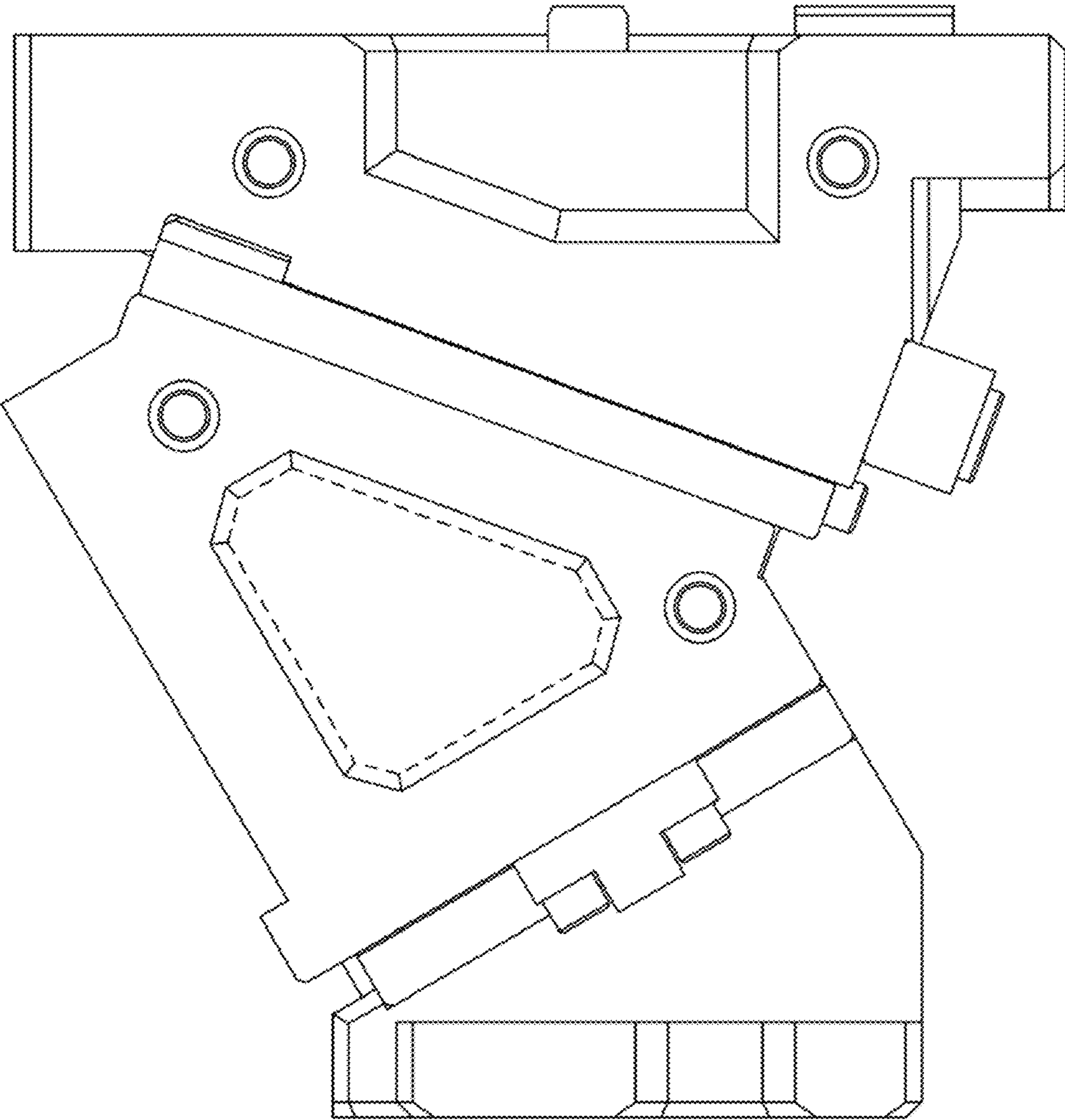


FIG. 4

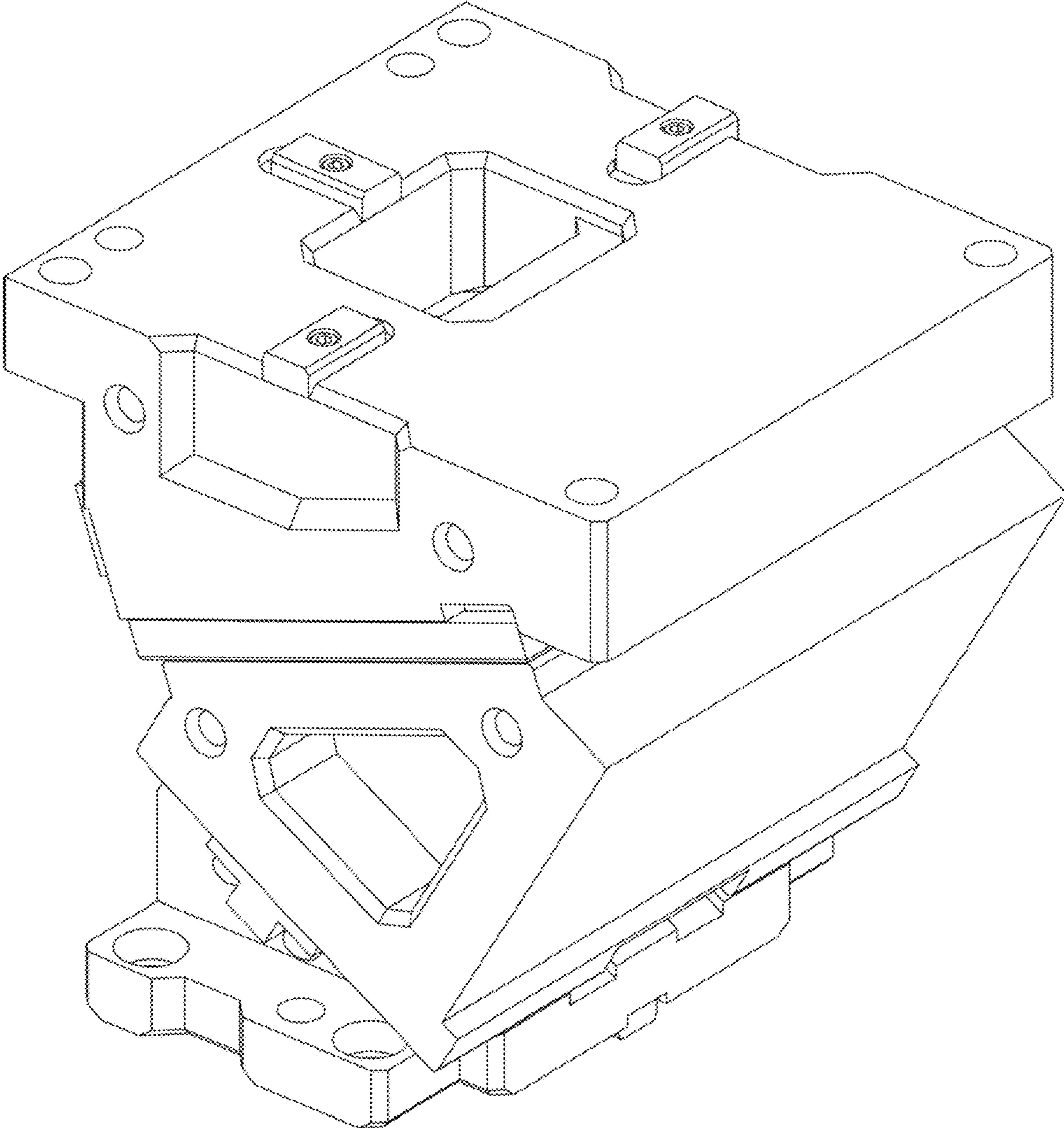


FIG. 5

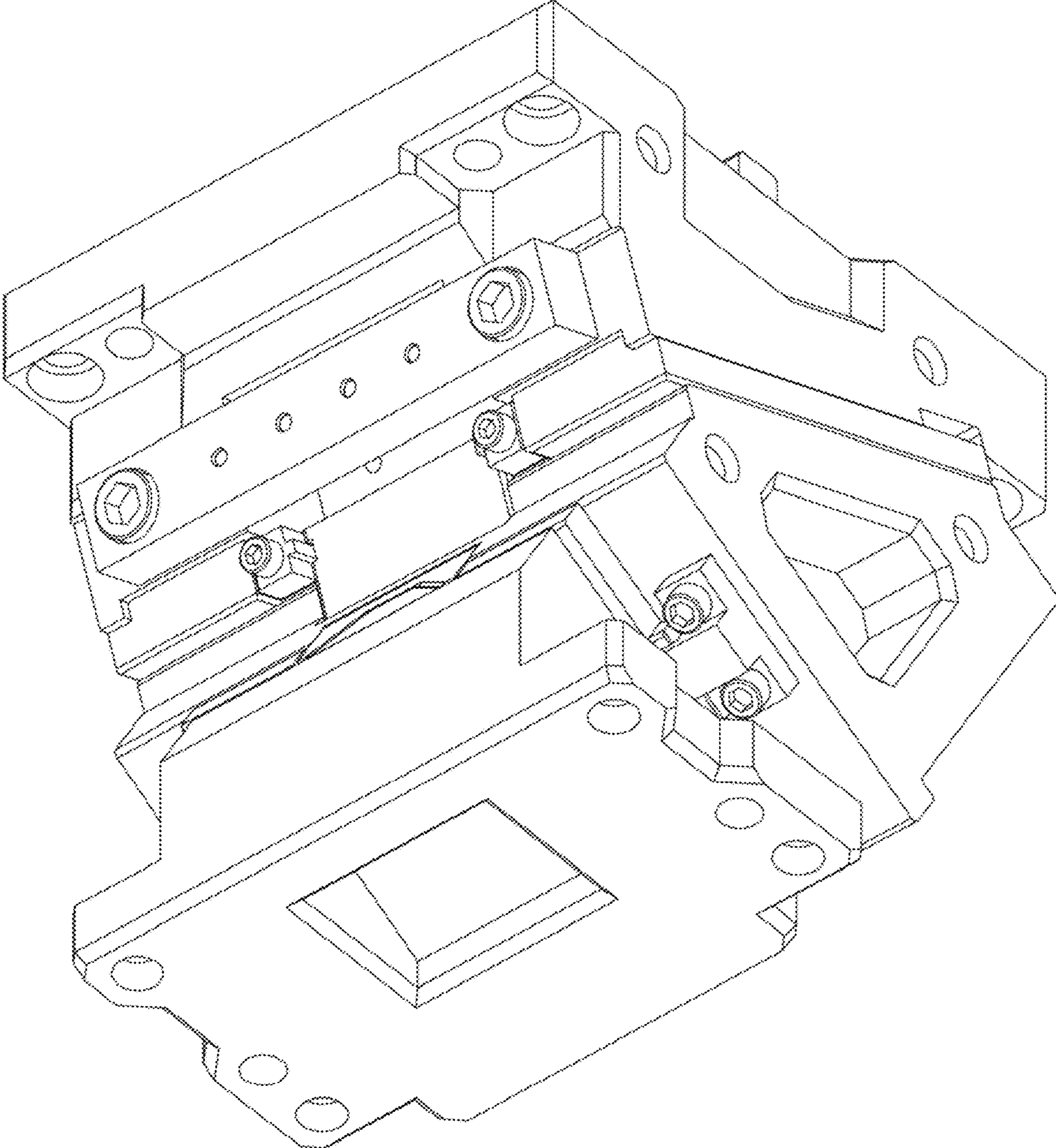


FIG. 6

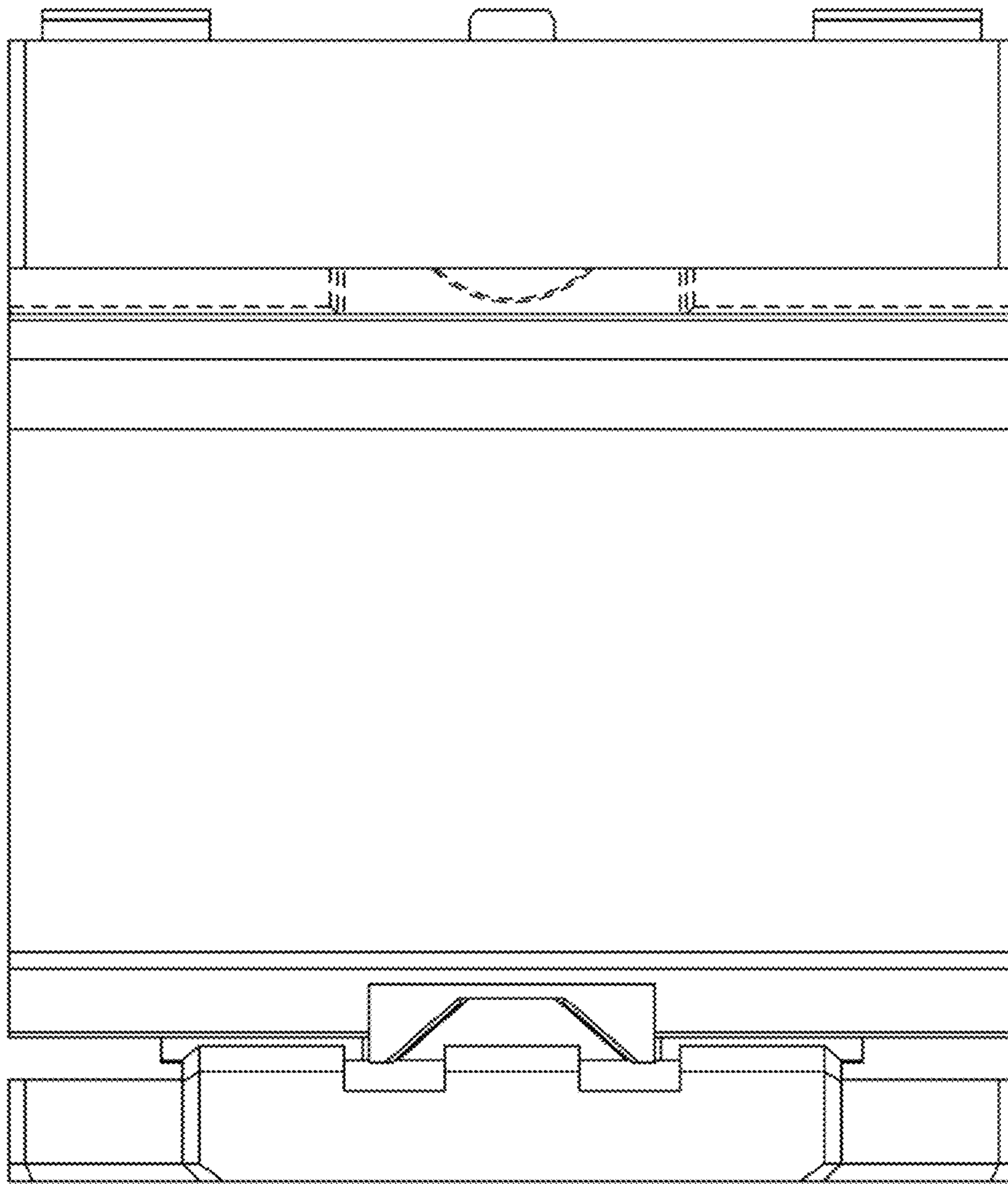


FIG. 7

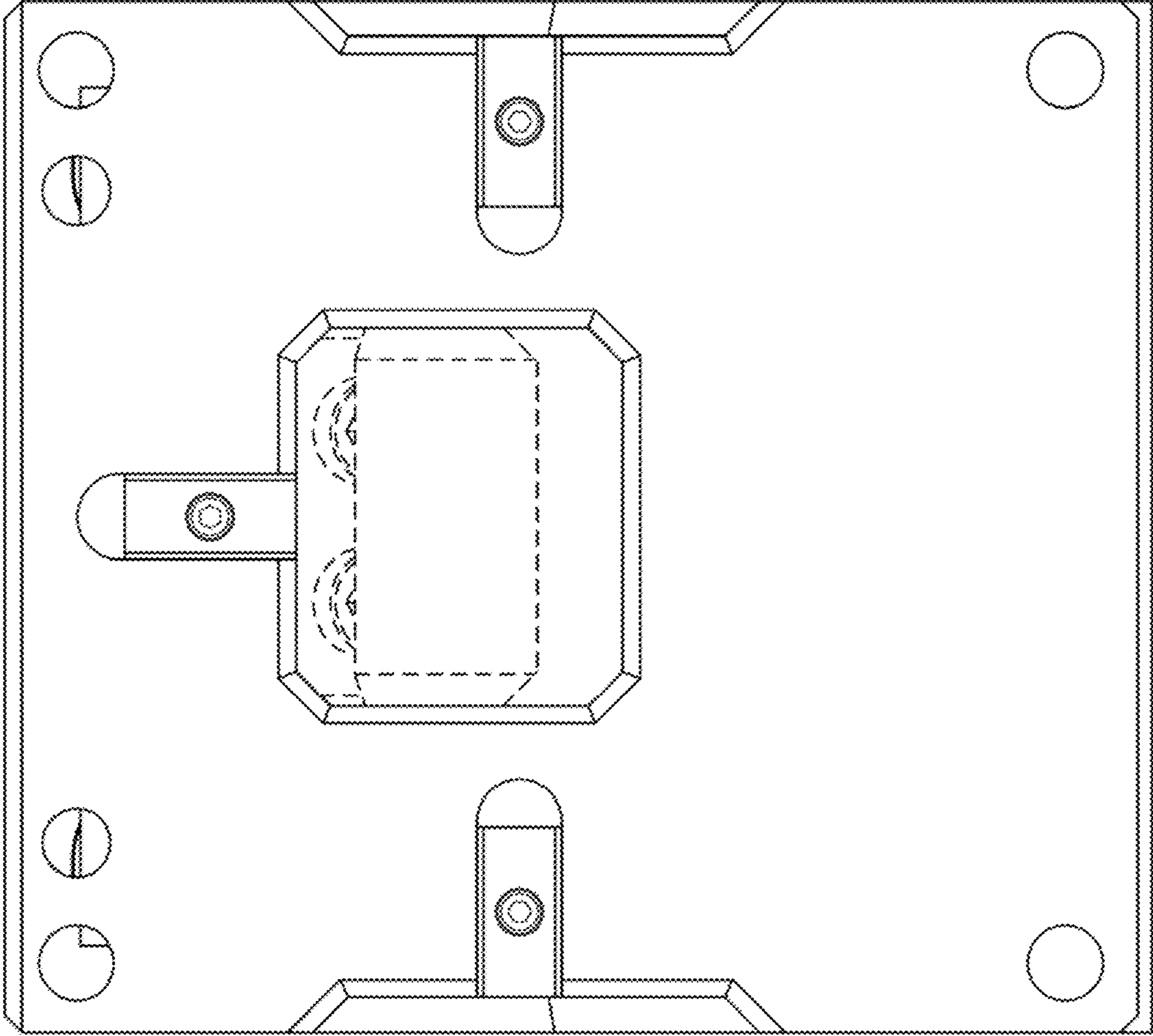


FIG. 8