



US00D925622S

(12) **United States Design Patent**  
**Munsch**

(10) **Patent No.:** **US D925,622 S**  
(45) **Date of Patent:** **\*\* Jul. 20, 2021**

(54) **EXTRUDER**

(71) Applicant: **Munsch Kunststoff-Schweißtechnik GmbH**, Ransbach-Baumbach (DE)

(72) Inventor: **Stefan Munsch**, Ransbach-Baumbach (DE)

(73) Assignee: **Munsch Kunststoff-Schweisstechnik GmbH**

(\*\*) Term: **15 Years**

(21) Appl. No.: **35/509,274**

(22) Filed: **Apr. 6, 2020**

(80) **Hague Agreement Data**

Int. Filing Date: **Apr. 6, 2020**

Int. Reg. No.: **DM/207742**

Int. Reg. Date: **Apr. 6, 2020**

Int. Reg. Pub. Date: **May 8, 2020**

(30) **Foreign Application Priority Data**

Oct. 9, 2019 (EM) ..... 007003660

(51) **LOC (13) Cl.** ..... **15-09**

(52) **U.S. Cl.**  
USPC ..... **D15/122**  
CPC ..... **B22F 3/105** (2013.01)

(58) **Field of Classification Search**  
USPC .... D15/122, 135, 138, 141; D18/14, 19, 50, D18/54, 54.1, 55, 56, 59  
CPC ..... B22F 3/105; B22F 3/008; B29C 35/00; B29C 35/02; B29C 35/04; B29C 35/06; B29C 35/08; B29C 35/10; B29C 35/12; B29C 35/14; B29C 35/16; B29C 35/18; B29C 37/00; B29C 37/02; B29C 37/04; B29C 67/00; B29C 67/02; B29C 67/04; B29C 67/06; B29C 67/08; B29C 67/20; B29C 67/24; B29C 69/00; B29C 69/02; B29C 70/00; B29C 70/02; B29C 70/04; B29C 70/06; B29C 70/08; B29C 70/10;

B29C 70/12; B29C 70/14; B29C 70/16; B29C 70/18; B29C 70/20; B29C 70/22; B29C 70/24; B29C 70/26; B29C 70/28; B29C 41/12; B29C 41/36; B29C 67/0081; B41J 2/155; B41J 2/17513; B41J 2/17556; B41J 2/17596; B41J 2/16552; B41J 2/16541; B41J 2002/20; B41J 2002/14475; B29K 2995/0021

See application file for complete search history.

(56) **References Cited**

U.S. PATENT DOCUMENTS

2,408,847	A *	10/1946	Gross .....	B23K 11/36 219/86.21
2,929,913	A *	3/1960	Miller .....	B23K 11/28 219/56.1
D268,185	S *	3/1983	Hirose .....	D15/132
4,484,055	A *	11/1984	Haines .....	B23K 9/007 219/124.01
4,504,724	A *	3/1985	Szantho .....	B23K 9/287 219/86.25
4,510,370	A *	4/1985	Szantho .....	B23K 11/31 219/86.25
4,656,327	A *	4/1987	Wilcox .....	B23K 11/314 219/86.21

(Continued)

*Primary Examiner* — Richard E Chilcot

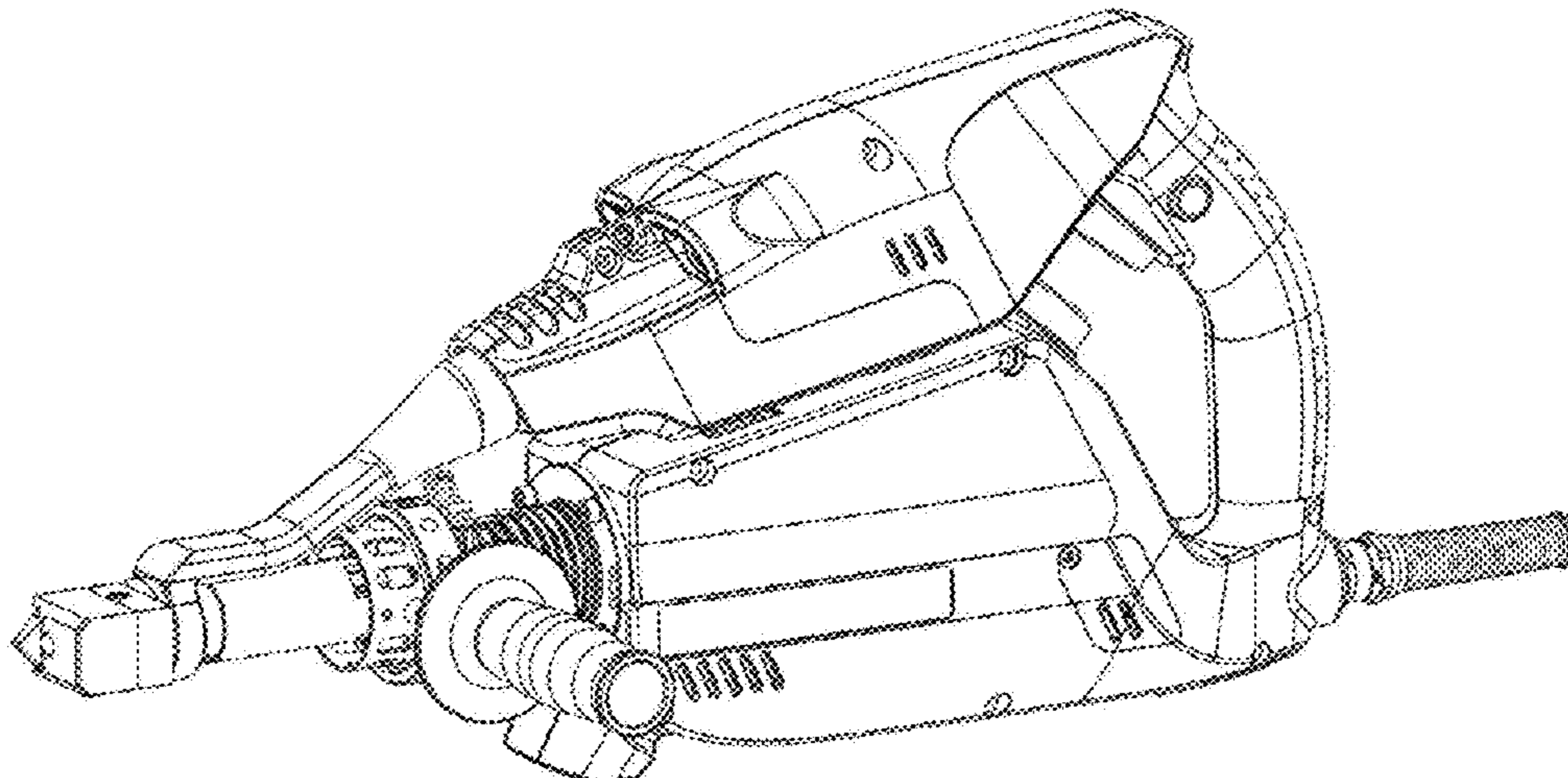
(57) **CLAIM**

The ornamental design for an extruder, as shown and described.

**DESCRIPTION**

- 1. Extruder
- 1.1 : Perspective
- 1.2 : Back
- 1.3 : Perspective
- 1.4 : Perspective
- 1.5 : Top
- 1.6 : Bottom
- 1.7 : Front

**1 Claim, 7 Drawing Sheets**



(56)

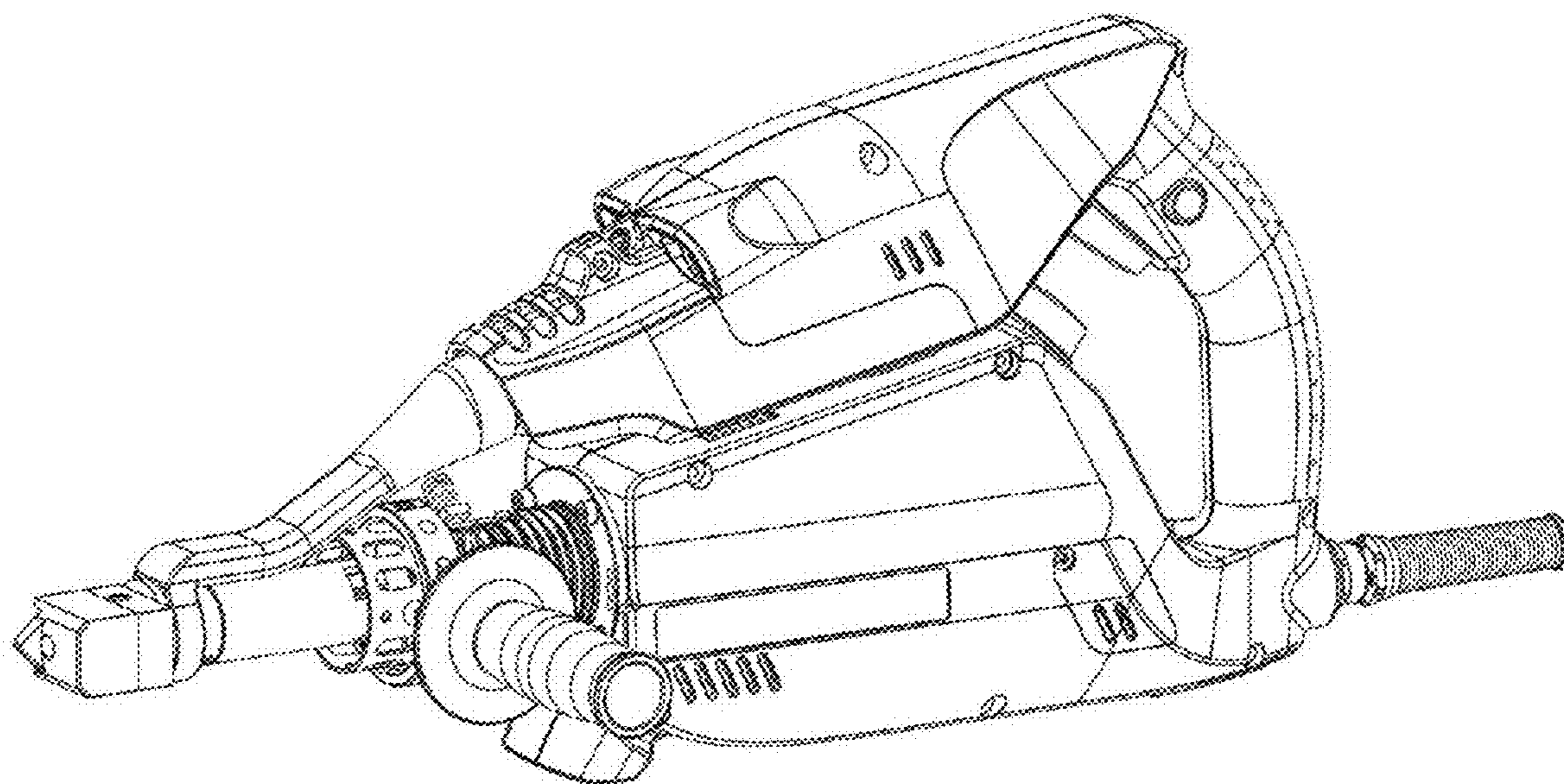
**References Cited**

## U.S. PATENT DOCUMENTS

4,924,055	A *	5/1990	Nakahigasi .....	B23K 11/28 219/86.21
D327,694	S *	7/1992	Tanaka .....	D15/144
D363,298	S *	10/1995	Takemi .....	D15/144
D456,033	S *	4/2002	Boyer .....	D15/144
D456,426	S *	4/2002	Boyer .....	D15/144
D520,539	S *	5/2006	Di Miceli .....	D15/144
D523,044	S *	6/2006	Hartmann .....	D15/144
D555,446	S *	11/2007	Picaza Ibarondo .....	D15/144
D559,284	S *	1/2008	Albinsson .....	D15/132
D567,833	S *	4/2008	Stirnemann .....	D15/144
D647,547	S *	10/2011	Hidaka .....	D15/144
D666,644	S *	9/2012	Henry .....	D15/144
D693,393	S *	11/2013	Henry .....	D15/144
D695,800	S *	12/2013	Wallimann-Durrer .....	D15/144
D849,071	S *	5/2019	Koop .....	D15/138
D868,856	S *	12/2019	Lorenz .....	D15/144
D900,179	S *	10/2020	Yarka .....	D15/138
2006/0078635	A1 *	4/2006	Herz .....	B29C 66/0242 425/87

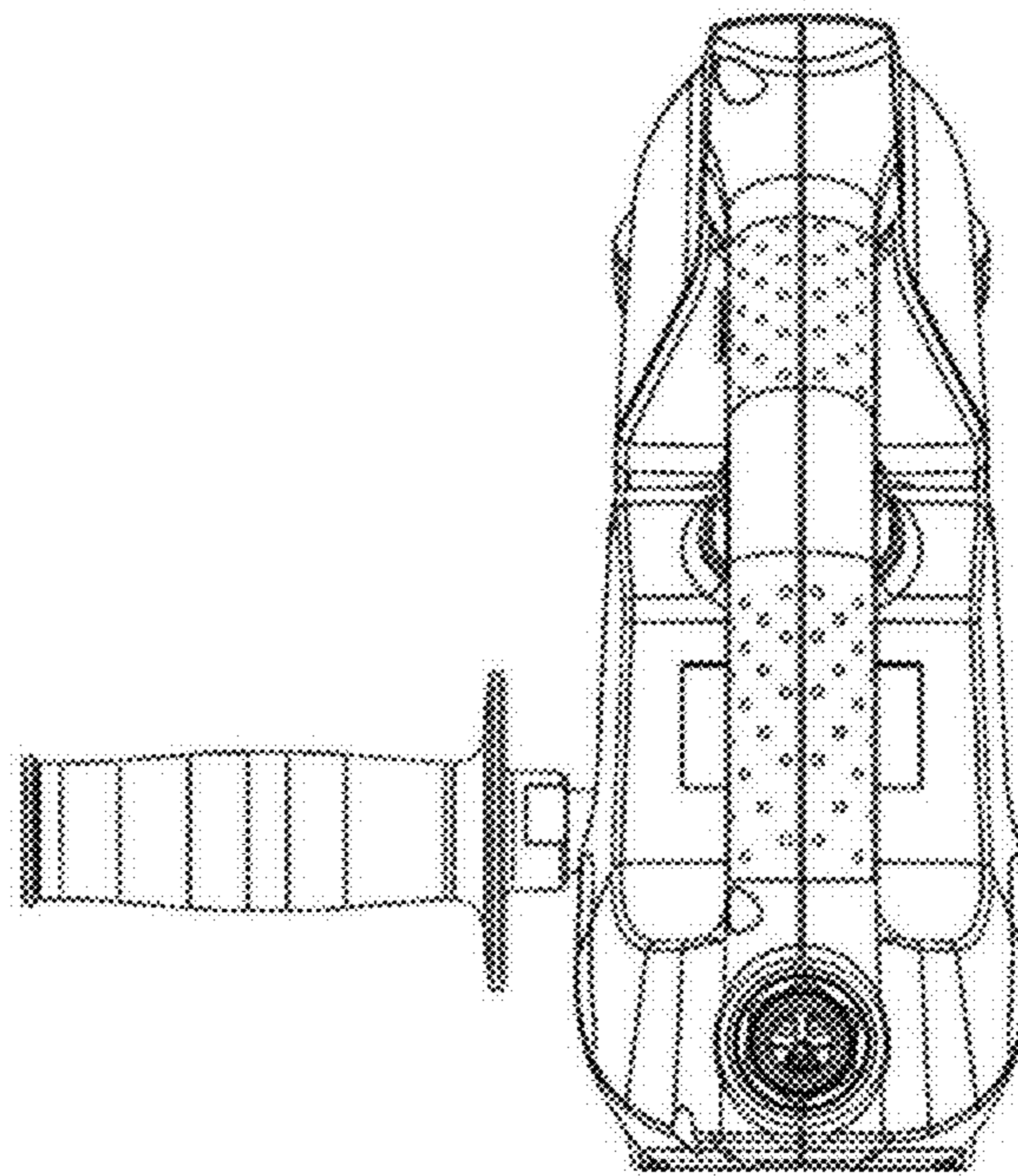
\* cited by examiner

1.1

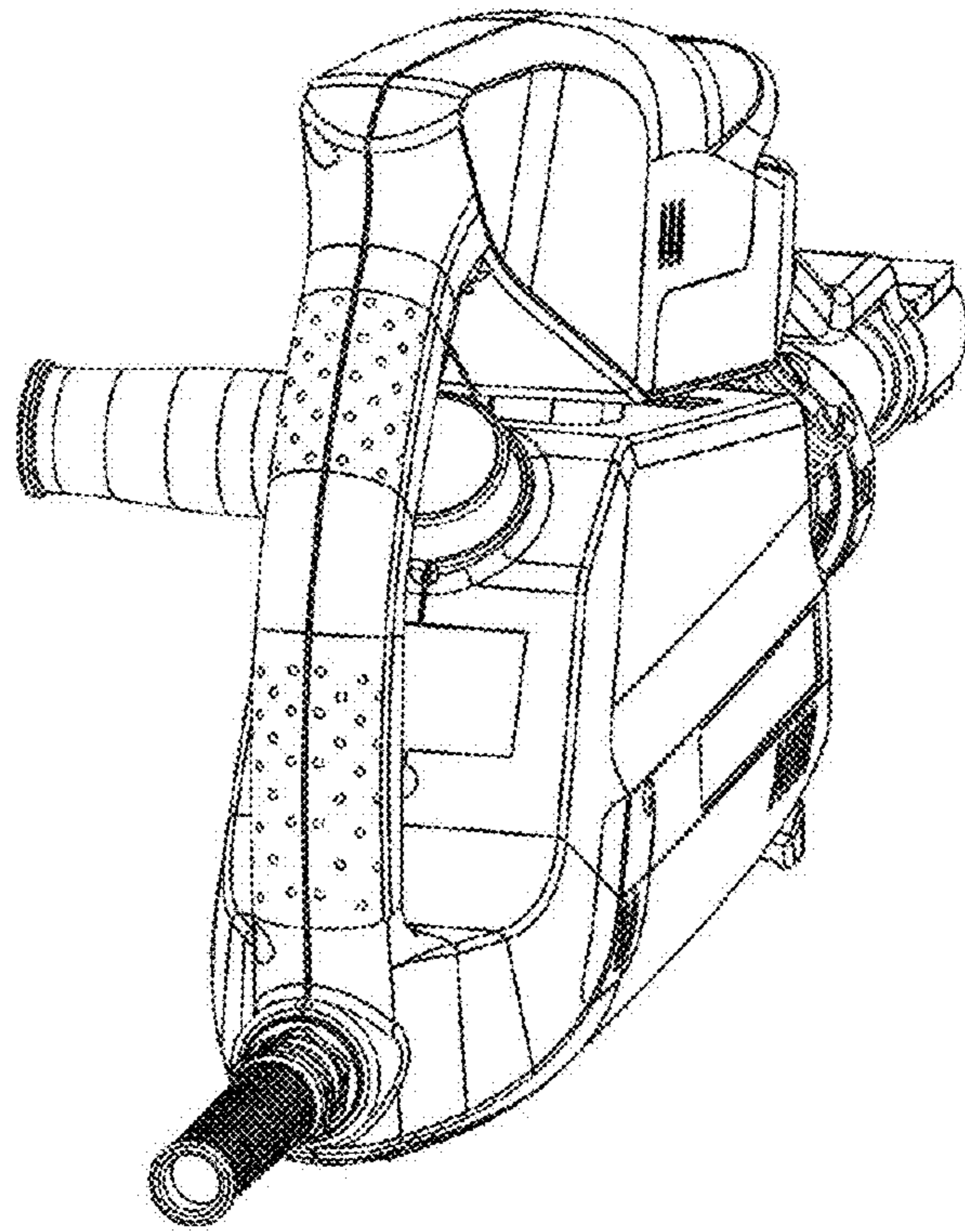




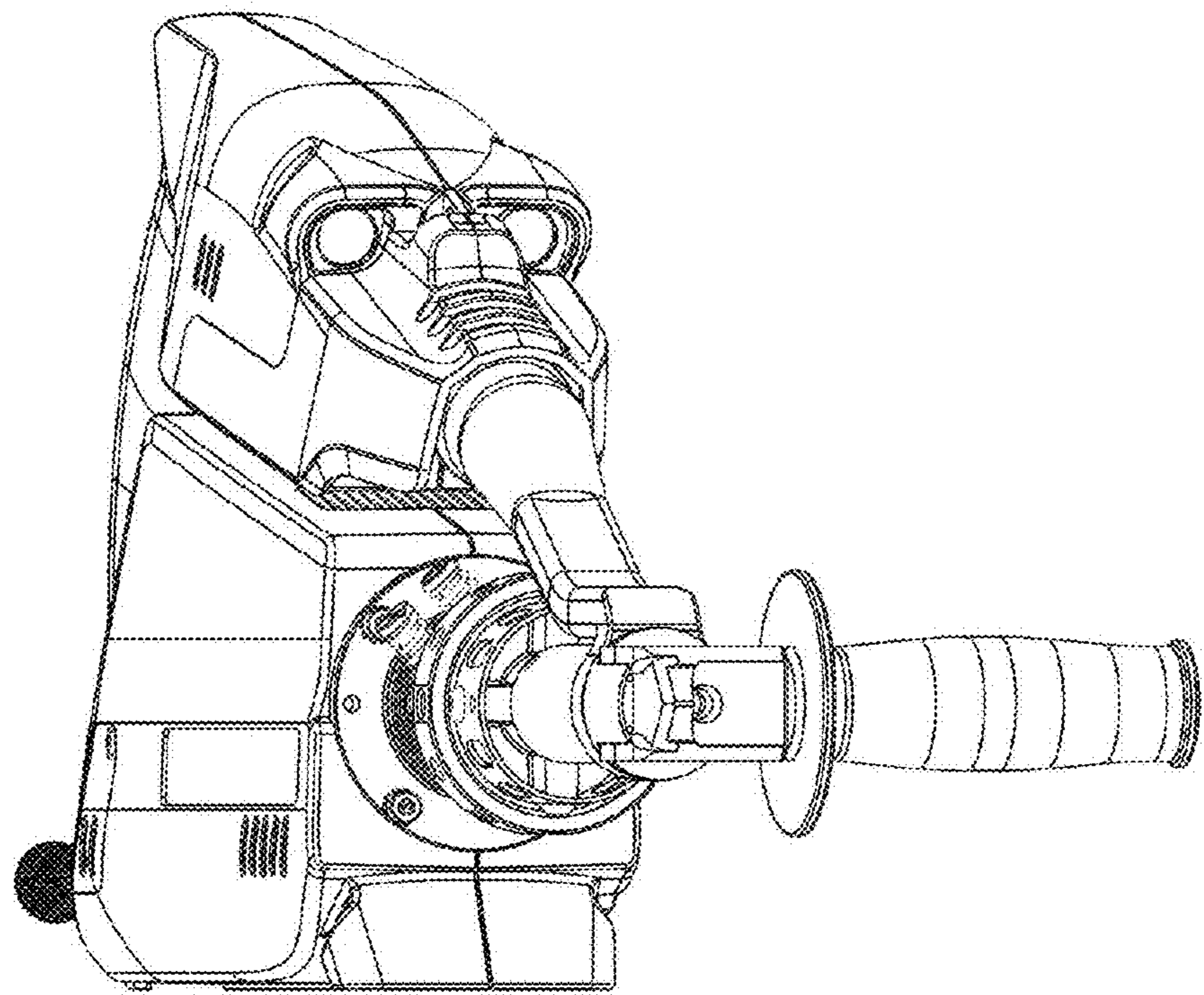
1.2



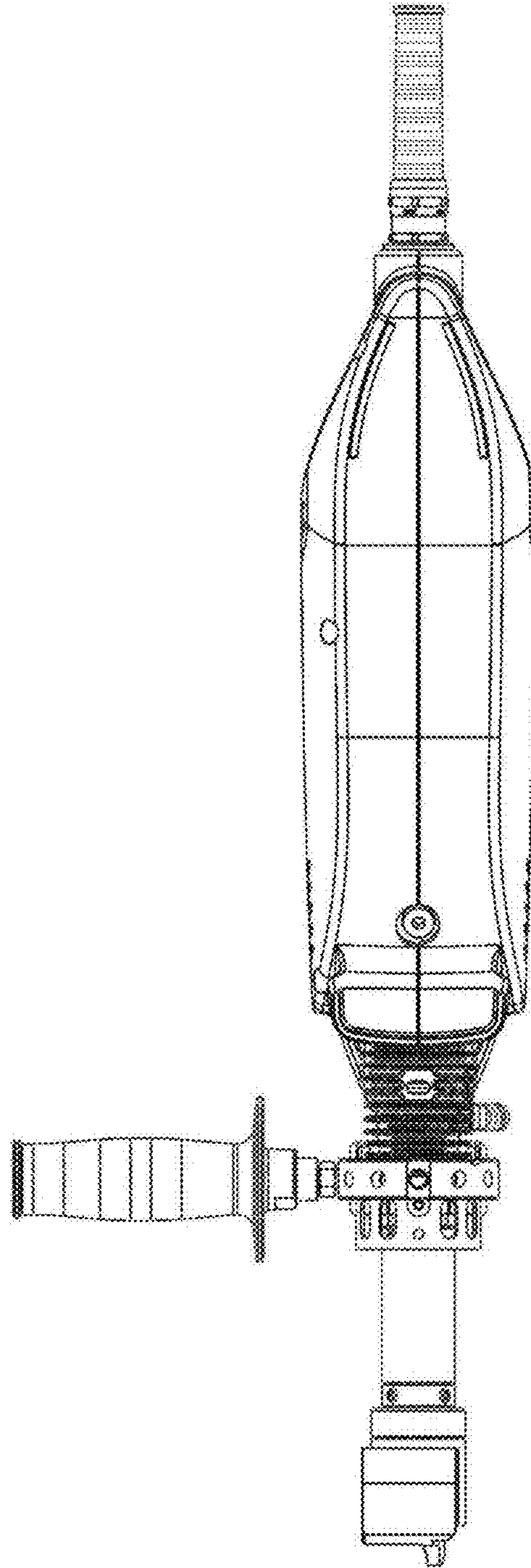
1.3



1.4

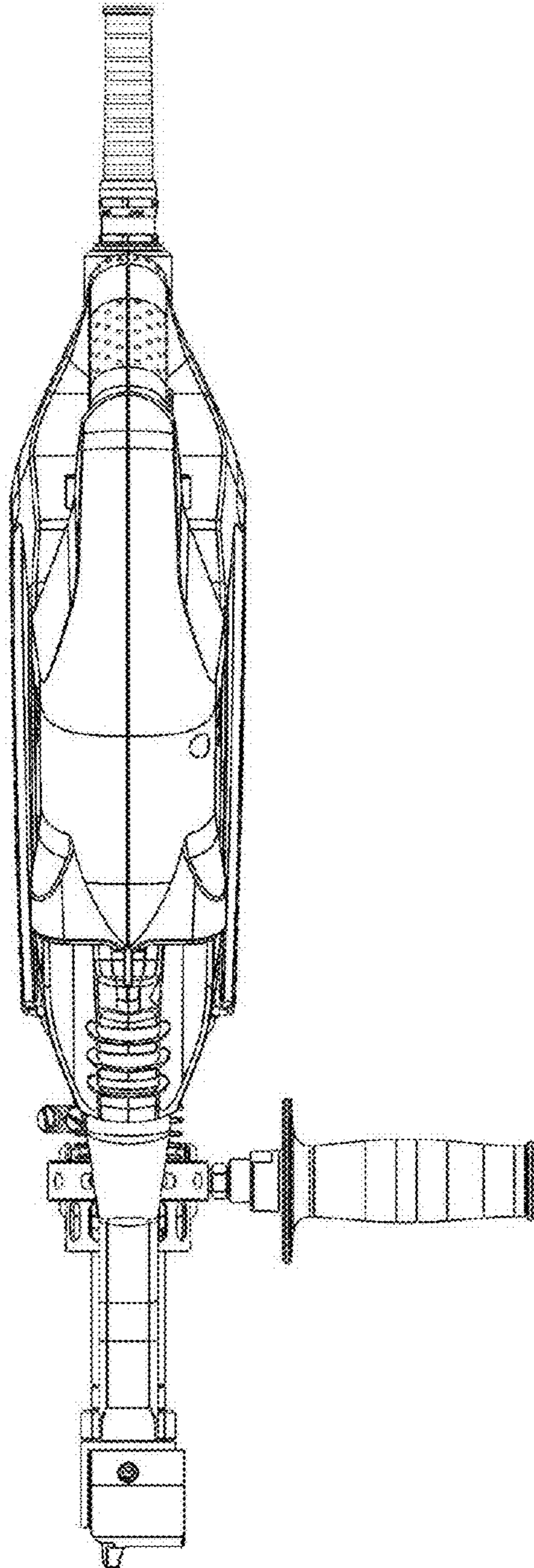


1.5





1.6





1.7

