



US00D925621S

(12) **United States Design Patent** (10) **Patent No.:** **US D925,621 S**  
**Crisp et al.** (45) **Date of Patent:** **\*\* Jul. 20, 2021**

(54) **HEAT PRESS**

(71) Applicant: **Cricut, Inc.**, South Jordan, UT (US)

(72) Inventors: **Thomas Crisp**, Cottonwood Heights, UT (US); **Grayson Stopp**, San Francisco, CA (US)

(73) Assignee: **Cricut, Inc.**, South Jordan, UT (US)

(\*\*) Term: **15 Years**

(21) Appl. No.: **29/746,761**

(22) Filed: **Aug. 17, 2020**

**Related U.S. Application Data**

(63) Continuation of application No. 29/658,664, filed on Aug. 1, 2018, now Pat. No. Des. 893,563.

(51) **LOC (13) Cl.** ..... **15-09**

(52) **U.S. Cl.**  
USPC ..... **D15/122; D15/146; D32/70**

(58) **Field of Classification Search**  
USPC ..... D15/122, 123, 145, 146; D32/70  
CPC ..... B30B 1/04; B30B 15/04; B30B 15/18;  
B30B 15/048; B30B 15/064; B30B 15/287; B30B 15/0094; B32B 37/06;  
B32B 37/0053; B32B 2309/02; B41F 16/00; B41F 16/02; B41F 16/026  
See application file for complete search history.

(56) **References Cited**

**U.S. PATENT DOCUMENTS**

1,466,714 A	9/1923	Harnden
D201,392 S	6/1965	Cooper
D206,729 S	1/1967	Finke
D250,340 S	11/1978	Douglas
D293,952 S	1/1988	Hsu
4,925,381 A	5/1990	Aoki et al.

6,151,814 A	11/2000	Raio et al.
7,185,584 B1	3/2007	Woods et al.
D561,792 S	2/2008	Johnson
8,418,739 B2	4/2013	Robinson
D714,850 S	10/2014	De La Hamayde
D728,885 S	5/2015	Dierker
D746,011 S	12/2015	Orthey et al.
9,289,960 B2	3/2016	Robinson et al.
D845,573 S	4/2019	Li et al.
D867,410 S	11/2019	Du et al.
D873,313 S	1/2020	Galkin et al.
D875,148 S	2/2020	Galkin et al.
D875,149 S	2/2020	Galkin et al.
D893,563 S *	8/2020	Crisp ..... D15/122

(Continued)

*Primary Examiner* — Patricia A Palasik

(74) *Attorney, Agent, or Firm* — Honigman LLP

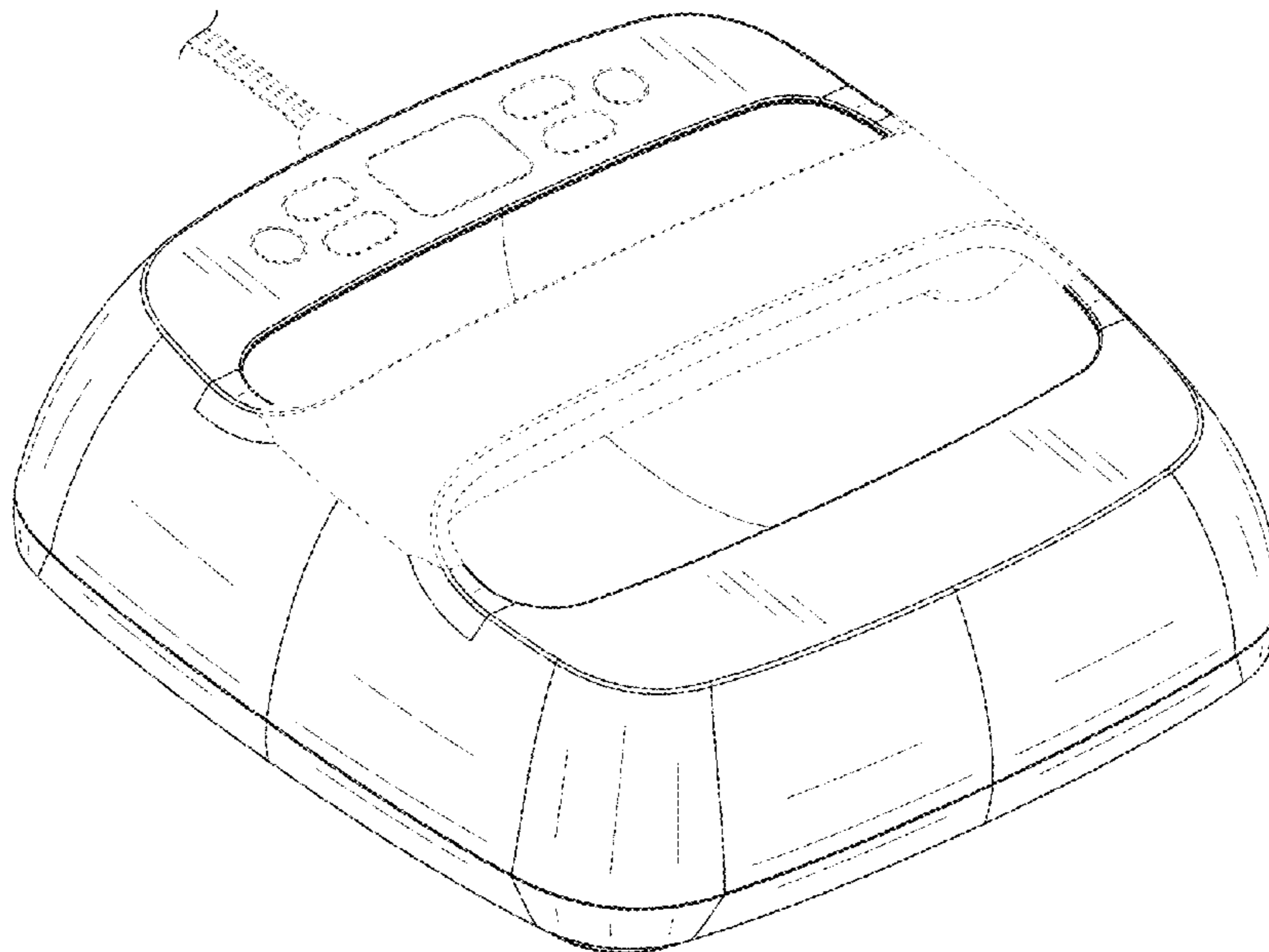
(57) **CLAIM**

The ornamental design for a heat press, as shown and described.

**DESCRIPTION**

FIG. 1 is a front/left-side isometric view of the heat press, FIG. 2 is a rear/left side isometric view of the heat press of FIG. 1, FIG. 3 is a front elevational view of the heat press of FIG. 1, FIG. 4 is a rear elevational view of the heat press of FIG. 1, FIG. 5 is a left side elevational view of the heat press of FIG. 1, FIG. 6 is a right side elevational view of the heat press of FIG. 1, FIG. 7 is a top plan view of the heat press of FIG. 1; and, FIG. 8 is a bottom view of the heat press of FIG. 1. The shade lines in the Figures show contour and not surface ornamentation. Broken lines in the Figures show portions of the heat press that form no part of the claimed design.

**1 Claim, 5 Drawing Sheets**



(56)

**References Cited**

U.S. PATENT DOCUMENTS

2007/0101876	A1	5/2007	Cowan
2010/0263788	A1	10/2010	Lahood et al.
2012/0180943	A1	7/2012	Strauss
2015/0122425	A1	5/2015	Hsiao et al.
2016/0250816	A1	9/2016	Robinson et al.
2017/0314177	A1	11/2017	Komiya
2019/0184667	A1	6/2019	Cao

\* cited by examiner

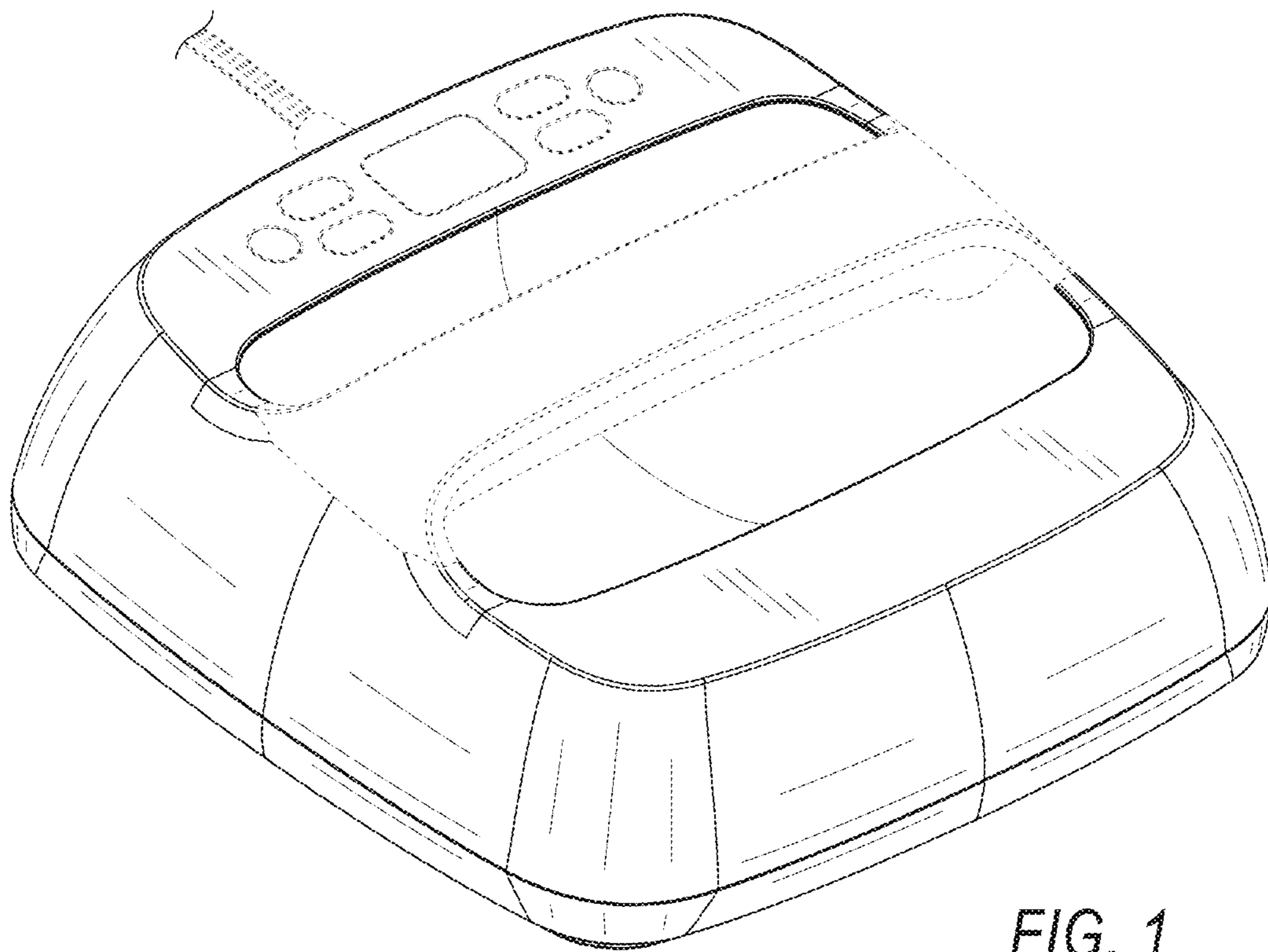


FIG. 1

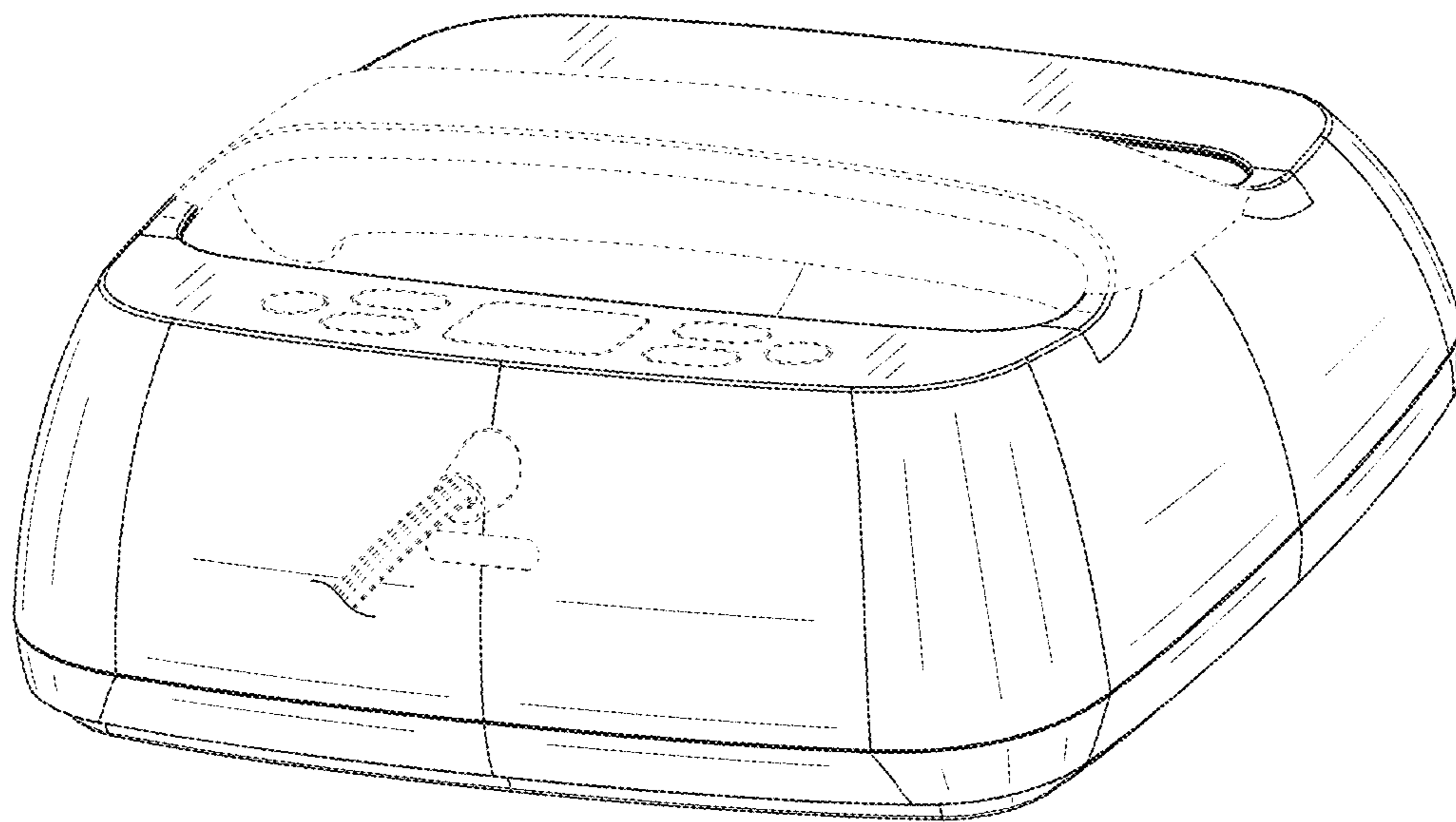


FIG. 2

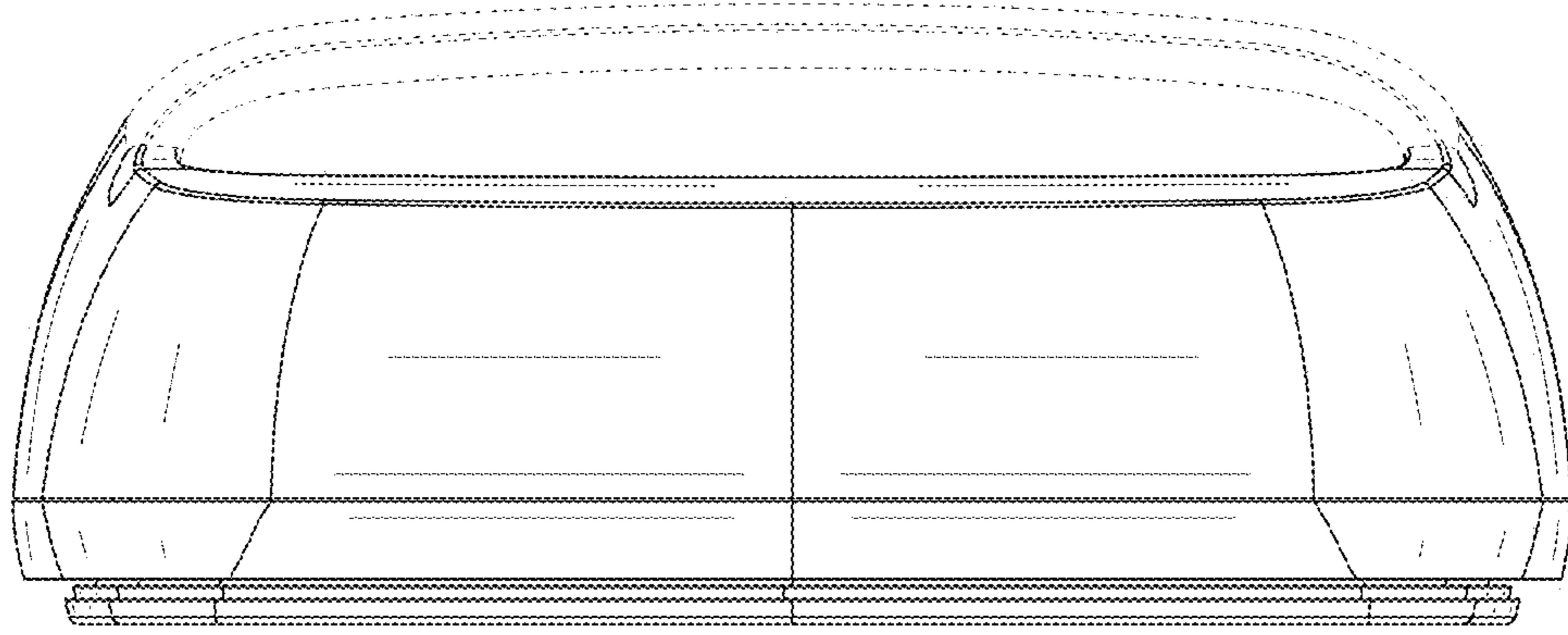


FIG. 3

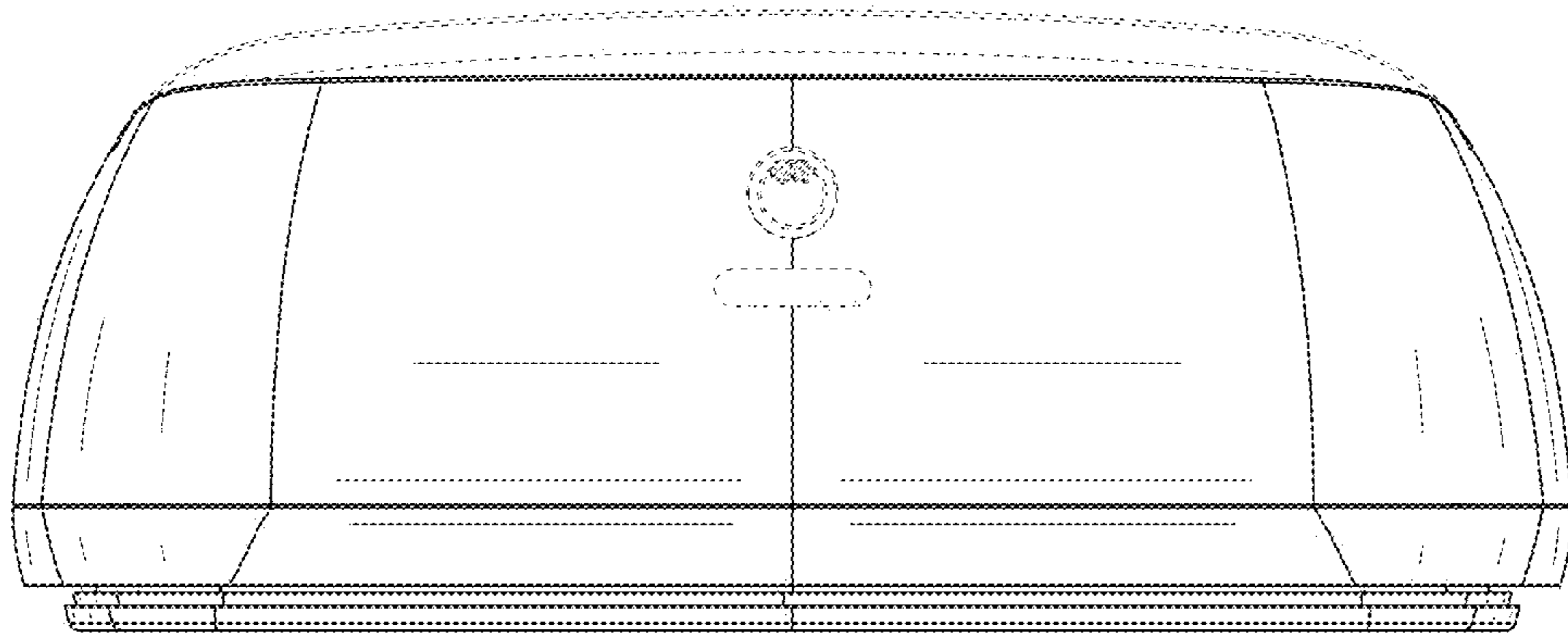


FIG. 4

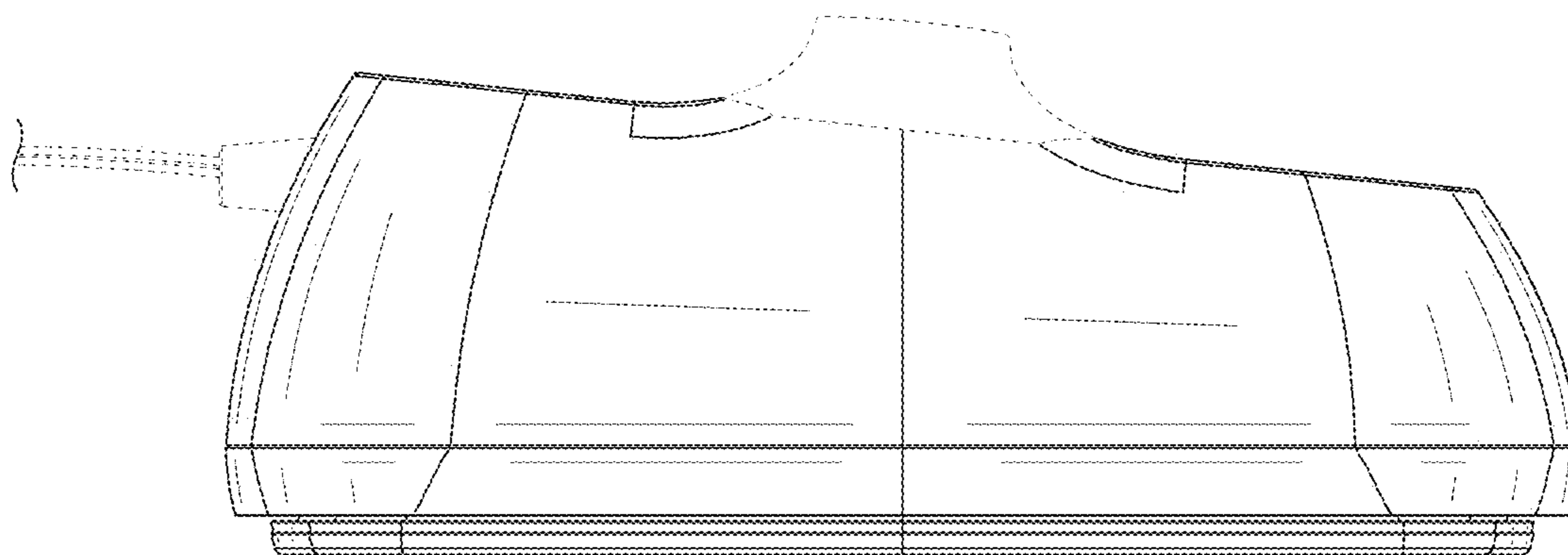


FIG. 5

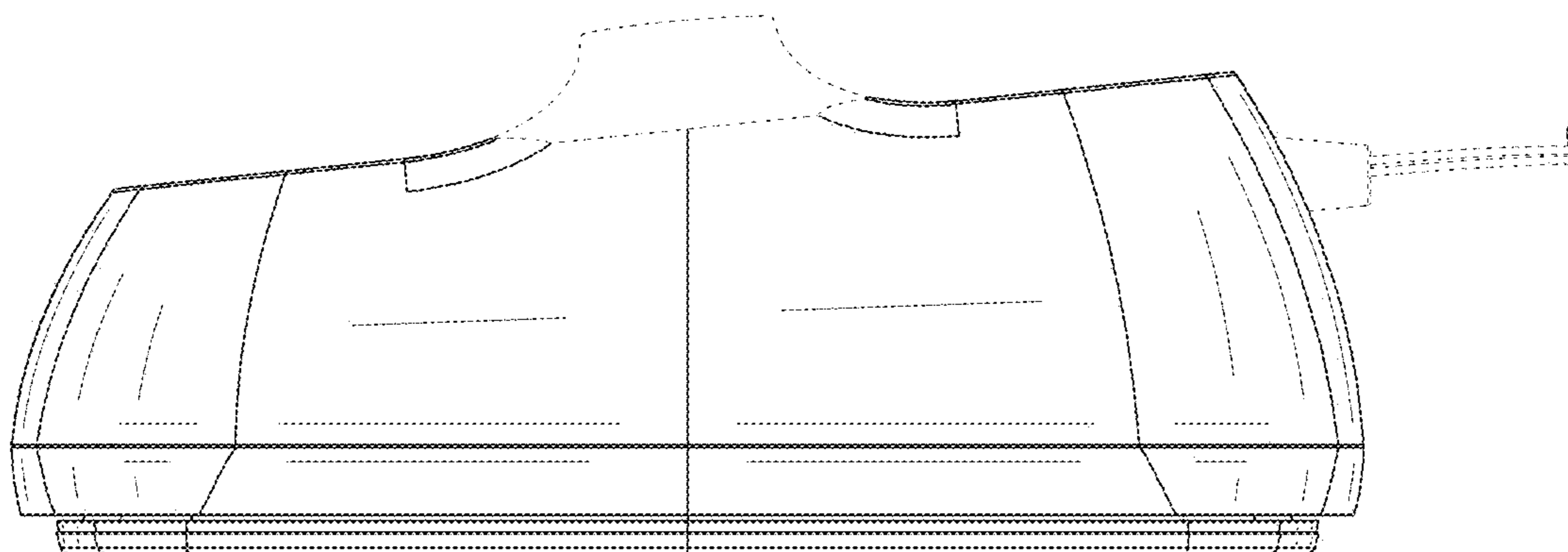


FIG. 6



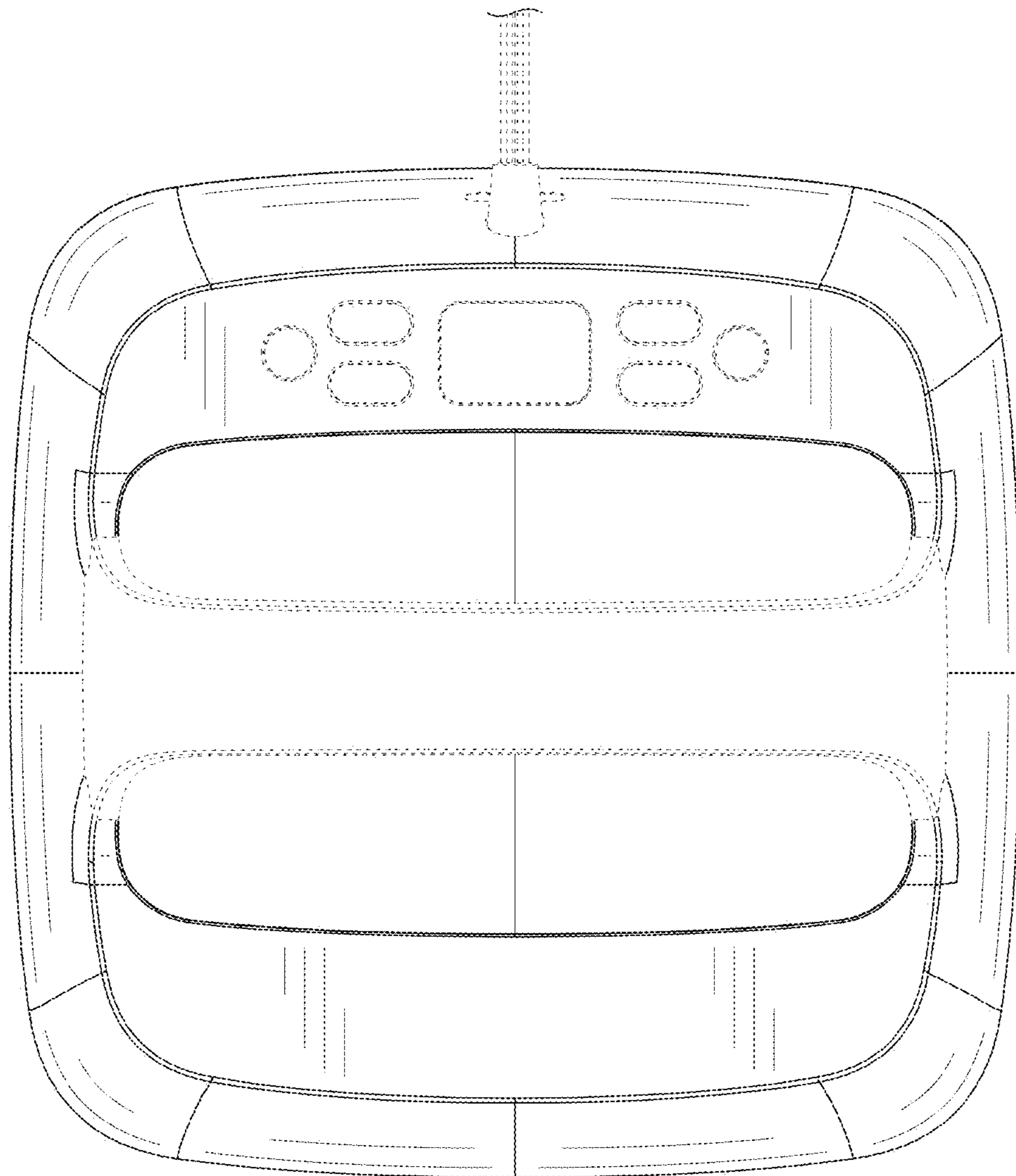


FIG. 7

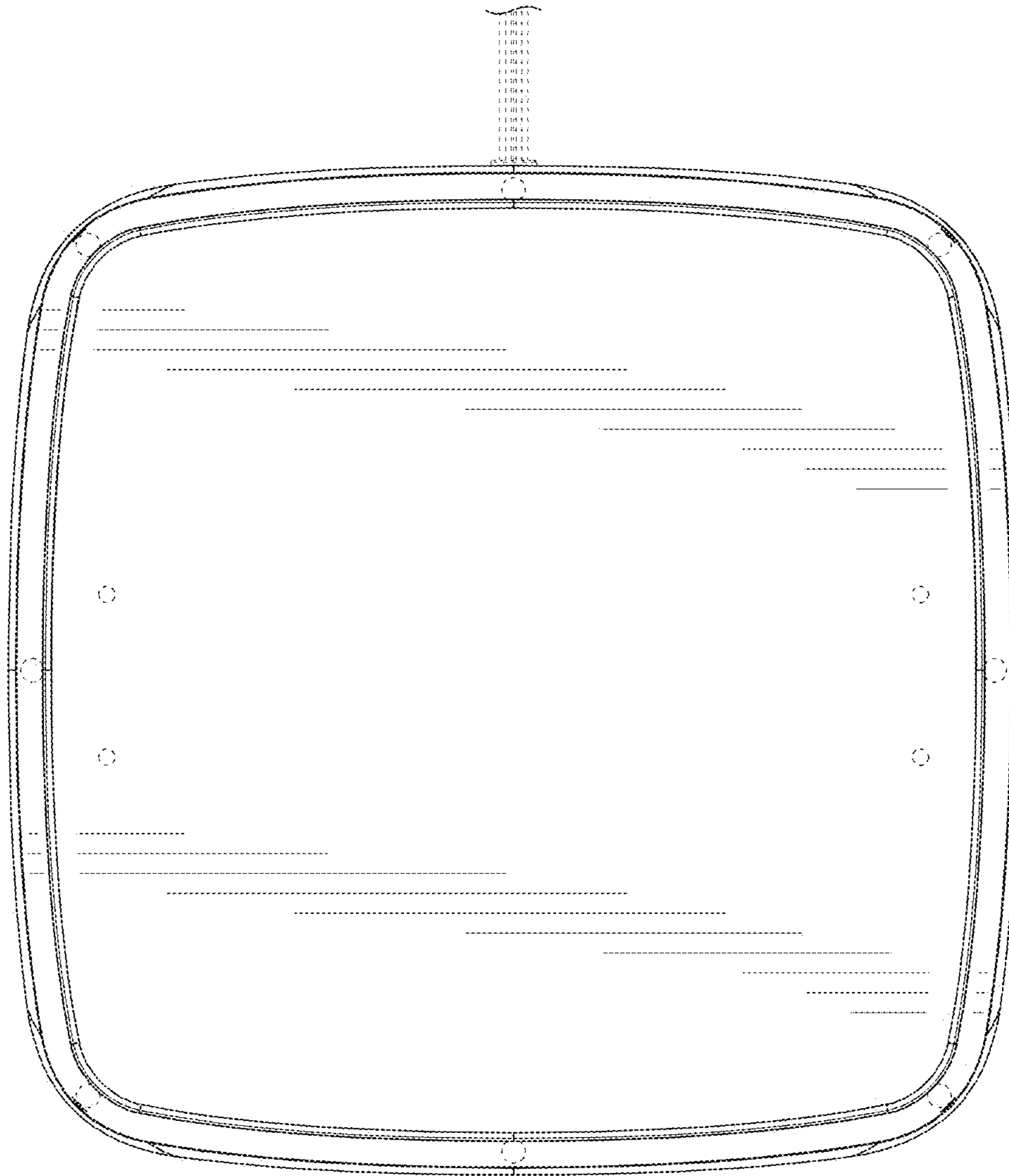


FIG. 8