



US00D925612S

(12) **United States Design Patent**
Stoldt

(10) **Patent No.:** **US D925,612 S**
(45) **Date of Patent:** **** Jul. 20, 2021**

(54) **PIPE LIFTING ELEVATOR BODY**

(71) Applicant: **FORUM US, INC.**, Houston, TX (US)

(72) Inventor: **Frederik Stoldt**, Hamburg (DE)

(73) Assignee: **FORUM US, INC.**, Houston, TX (US)

(**) Term: **15 Years**

(21) Appl. No.: **29/683,583**

(22) Filed: **Mar. 14, 2019**

(51) **LOC (13) Cl.** **15-04**

(52) **U.S. Cl.**
USPC **D15/21**

(58) **Field of Classification Search**

USPC D15/122, 138, 21; D34/28, 33, 34, 35,
D34/39; 166/77.51, 381, 382; 187/240;
294/90, 91; 414/22.51
CPC E21B 19/14; E21B 19/06; E21B 19/02;
F16B 21/12; F16B 45/02; F16B 7/22
See application file for complete search history.

(56) **References Cited**

U.S. PATENT DOCUMENTS

1,486,471	A *	3/1924	Wilcox	E21B 19/06 294/90
1,549,199	A *	8/1925	Kelso	E21B 19/06 294/90
1,552,527	A *	9/1925	Wilcox	E21B 19/06 294/90
2,053,284	A *	9/1936	Grau	E21B 19/06 294/90
2,722,450	A *	11/1955	Nelson	E21B 19/06 294/90

(Continued)

FOREIGN PATENT DOCUMENTS

KR 300986565.0000 * 12/2018

OTHER PUBLICATIONS

Drill Pipe Elevator 350T (PO 0187-2017), Published on Jun. 3, 2017 by Alex Wang [YouTube], [Site Visited Dec. 5, 2020] Available From Internet, URL: <https://www.youtube.com/watch?v=YFic2MnN5U> (Year: 2017).*

(Continued)

Primary Examiner — Sheryl Lane

Assistant Examiner — Mark T. Philipps

(74) *Attorney, Agent, or Firm* — Patterson + Sheridan, L.L.P.

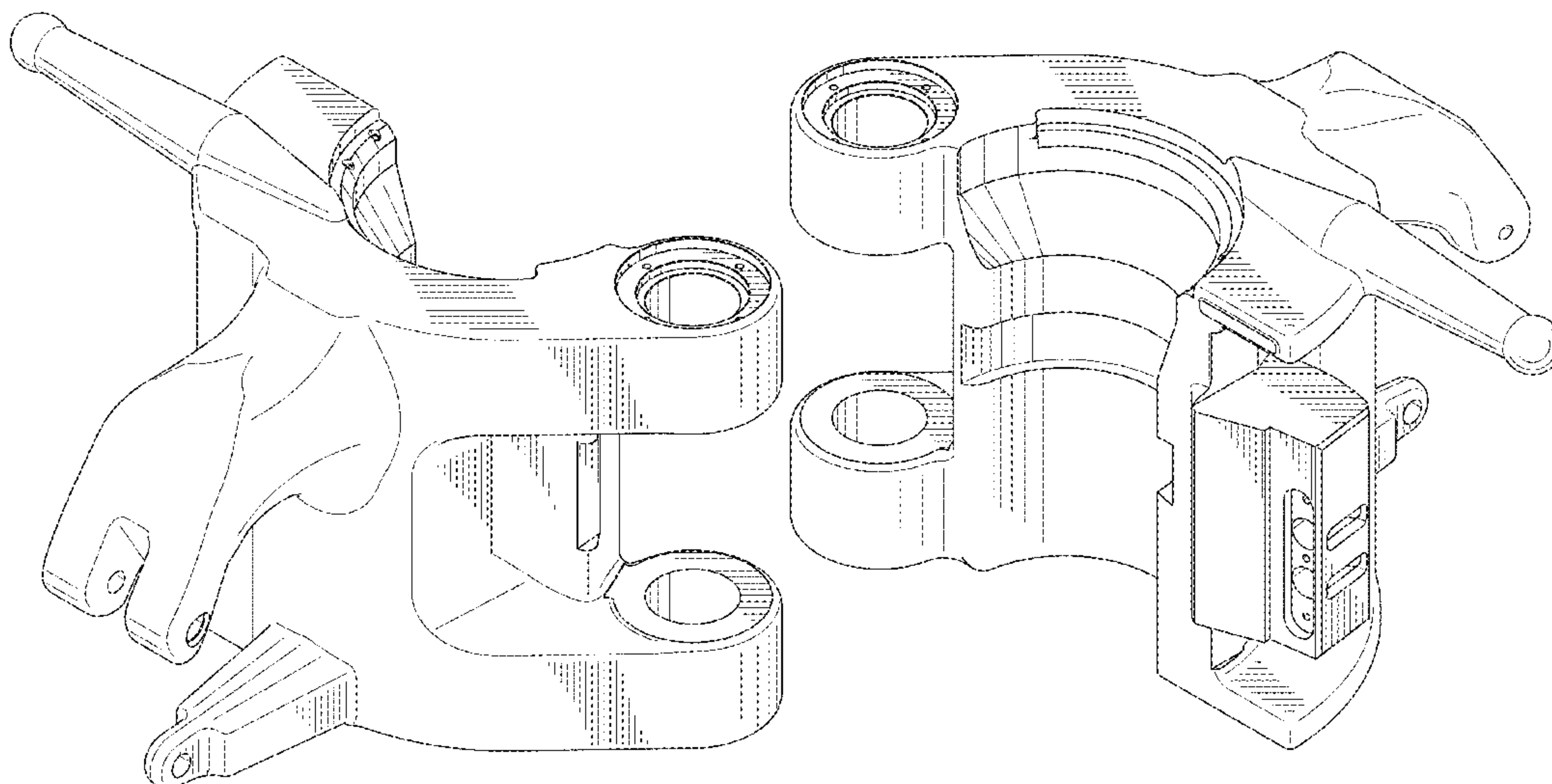
(57) **CLAIM**

The ornamental design for a pipe lifting elevator body, as shown and described.

DESCRIPTION

FIG. 1 is a top front perspective view of a pipe lifting elevator body showing my new design;
FIG. 2 is a top rear perspective view thereof;
FIG. 3 is a bottom front perspective view thereof;
FIG. 4 is a bottom rear perspective view thereof;
FIG. 5 is a front elevational view thereof;
FIG. 6 is a right side elevational view thereof;
FIG. 7 is a rear elevational view thereof;
FIG. 8 is a left side elevational view thereof;
FIG. 9 is a top plan view thereof;
FIG. 10 is a bottom plan view thereof;
FIG. 11 is a sectional view thereof taken along line 11-11 of FIG. 8;
FIG. 12 is a sectional view thereof taken along line 12-12 of FIG. 8;
FIG. 13 is a sectional view thereof taken along line 13-13 of FIG. 8;
FIG. 14 is a sectional view thereof taken along line 14-14 of FIG. 8;
FIG. 15 is a sectional view thereof taken along line 15-15 of FIG. 8; and,
FIG. 16 is a sectional view thereof taken along line 16-16 of FIG. 8.

1 Claim, 13 Drawing Sheets



(56)

References Cited

U.S. PATENT DOCUMENTS

3,342,520 A * 9/1967 Haynes E21B 19/07
294/90
3,403,791 A * 10/1968 Brackin E21B 19/06
414/22.51
4,396,216 A * 8/1983 Hamilton E21B 19/06
175/85
6,915,868 B1 7/2005 Mosing et al.
7,216,717 B2 5/2007 Severin et al.
7,296,630 B2 11/2007 Severin et al.
7,303,021 B2 12/2007 Schats et al.
7,497,268 B1 * 3/2009 Zeni E21B 19/06
166/379
9,109,409 B2 * 8/2015 Childress, II E21B 41/0021
9,765,581 B2 9/2017 Smith et al.
9,797,208 B2 10/2017 Mosing et al.
10,392,876 B2 * 8/2019 Harshbarger E21B 19/10
2006/0231344 A1 * 10/2006 Drzewiecki E21B 19/06
187/240

2007/0209804 A1 * 9/2007 Webre E21B 19/00
166/379
2009/0056930 A1 * 3/2009 Angelle E21B 19/08
166/77.51
2009/0252589 A1 10/2009 Sonneveld et al.
2015/0240575 A1 * 8/2015 Angelle E21B 19/10
166/382
2016/0060978 A1 3/2016 Sipos
2016/0356104 A1 * 12/2016 Vierke E21B 19/06
2017/0284438 A1 * 10/2017 Stoldt E21B 19/02
2018/0283427 A1 * 10/2018 Stoldt F16B 21/12
2019/0032429 A1 * 1/2019 Parton E21B 19/155
2019/0039857 A1 2/2019 Vierke
2019/0136648 A1 * 5/2019 Stoldt E21B 19/14

OTHER PUBLICATIONS

FORUM energy technologies, Pipe Handling Equipment General Catalog—Handling Tools, (Published Jul. 2020), FET, Manual Elevators CLS-150/3, p. 21. (Year: 2020).*

* cited by examiner

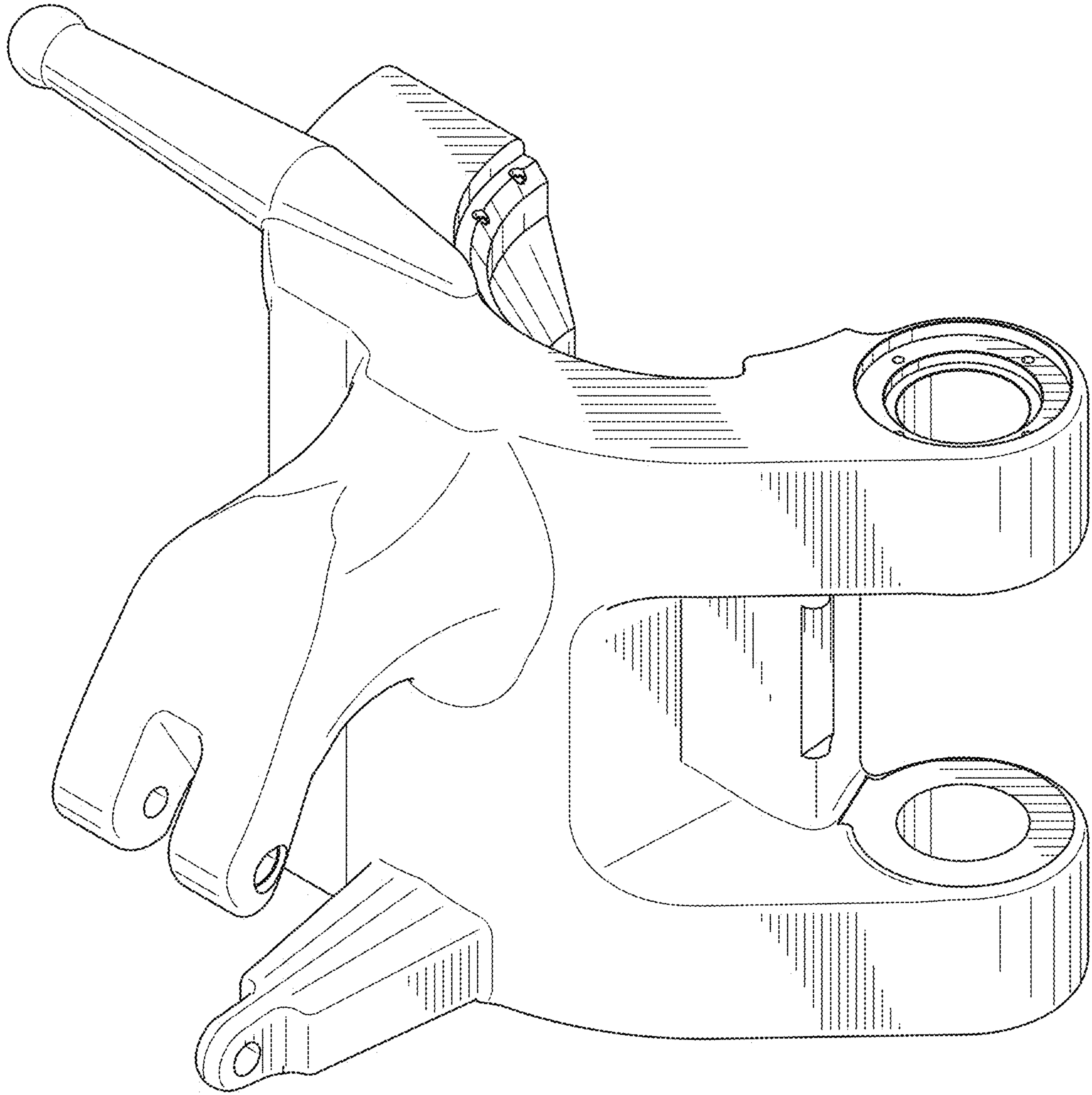


Fig. 1

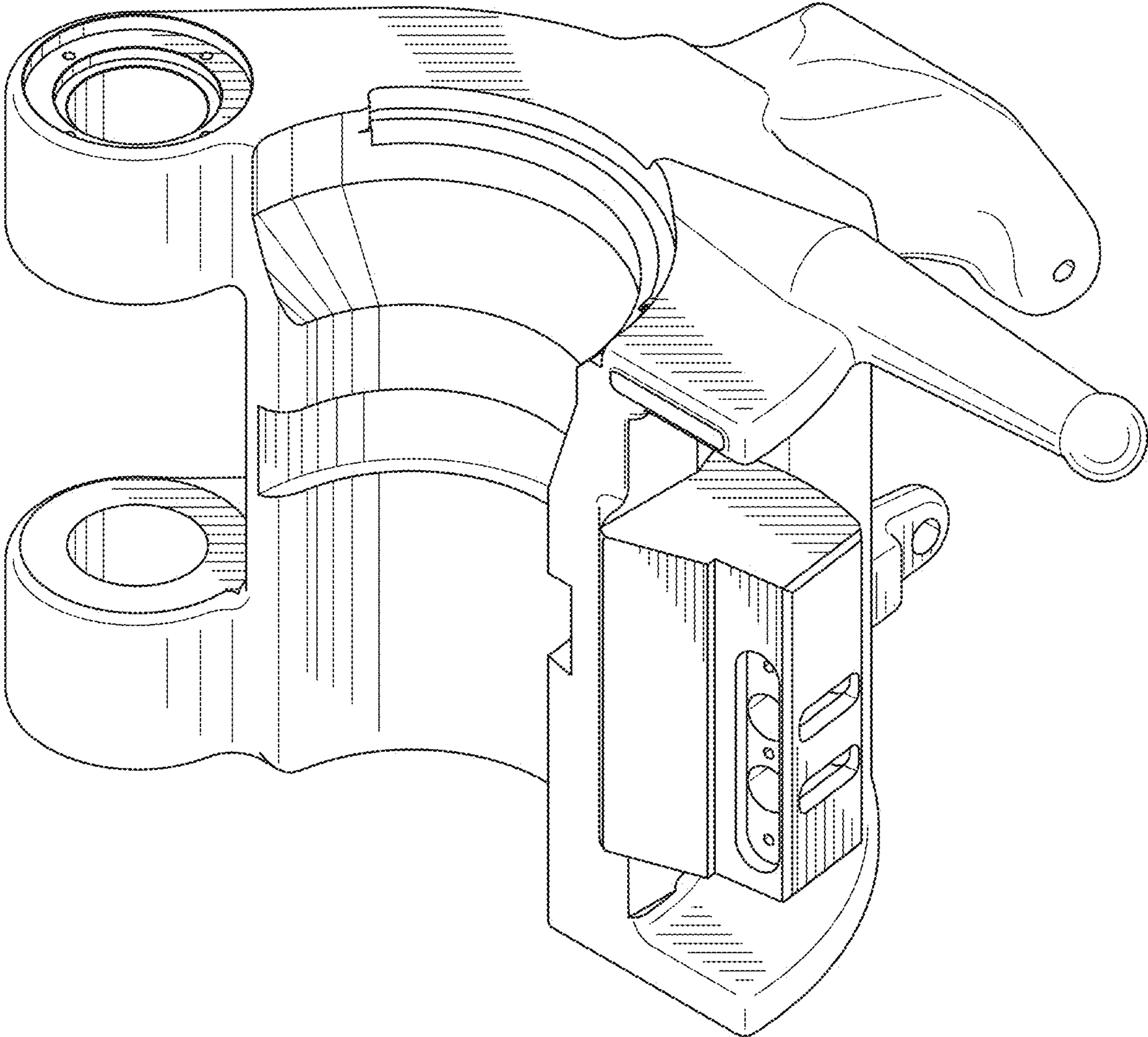


Fig. 2

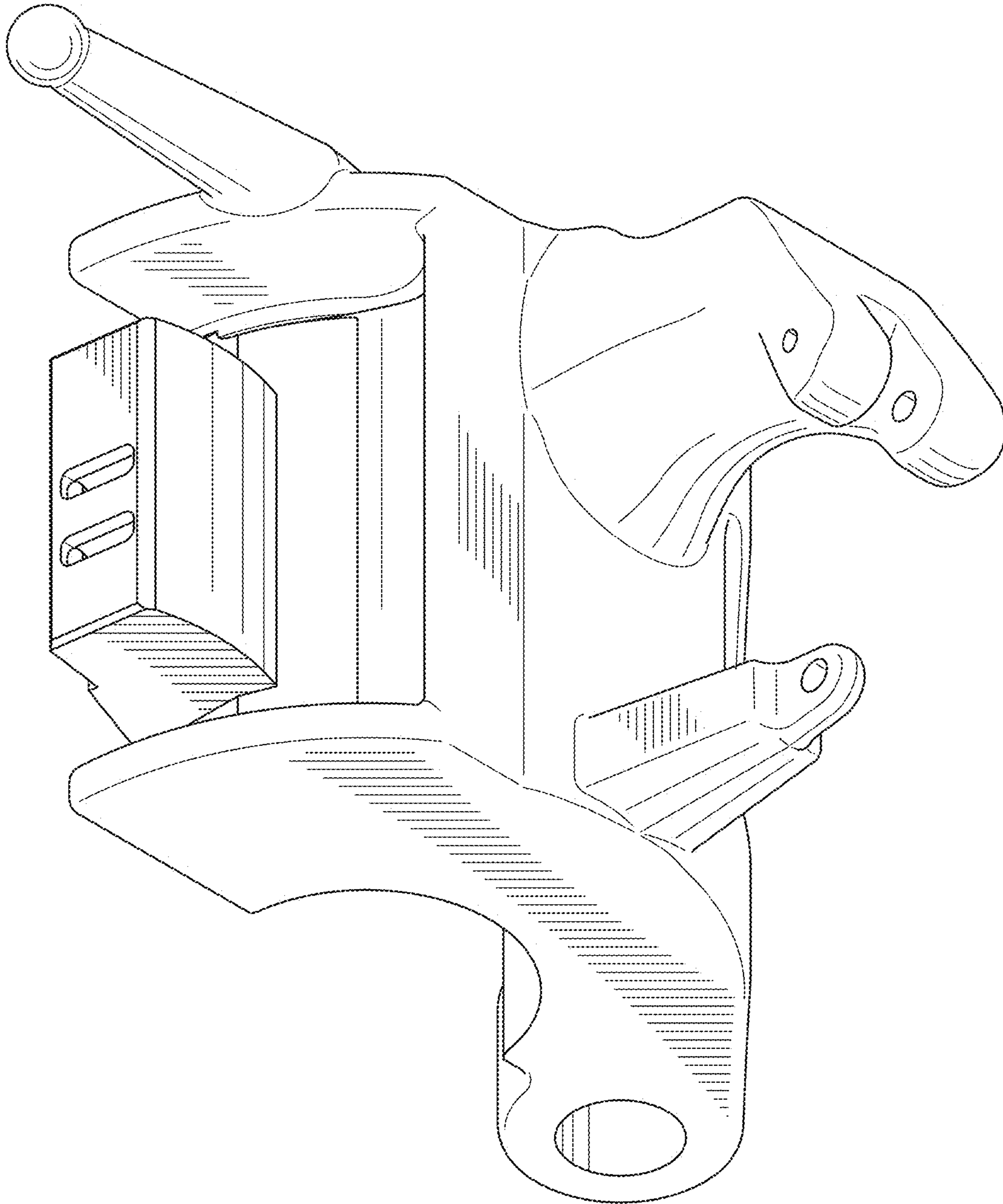


Fig. 3

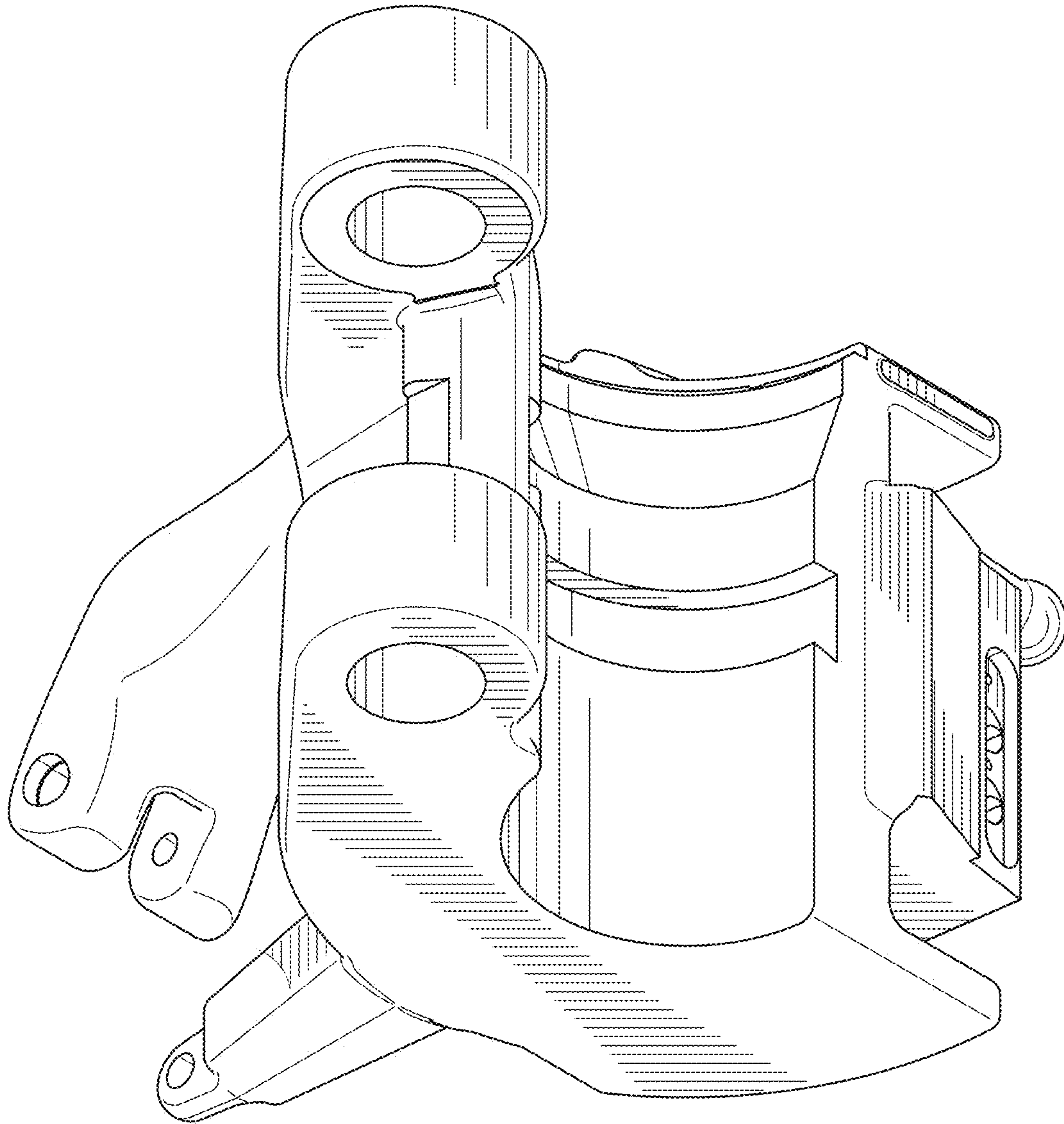


Fig. 4

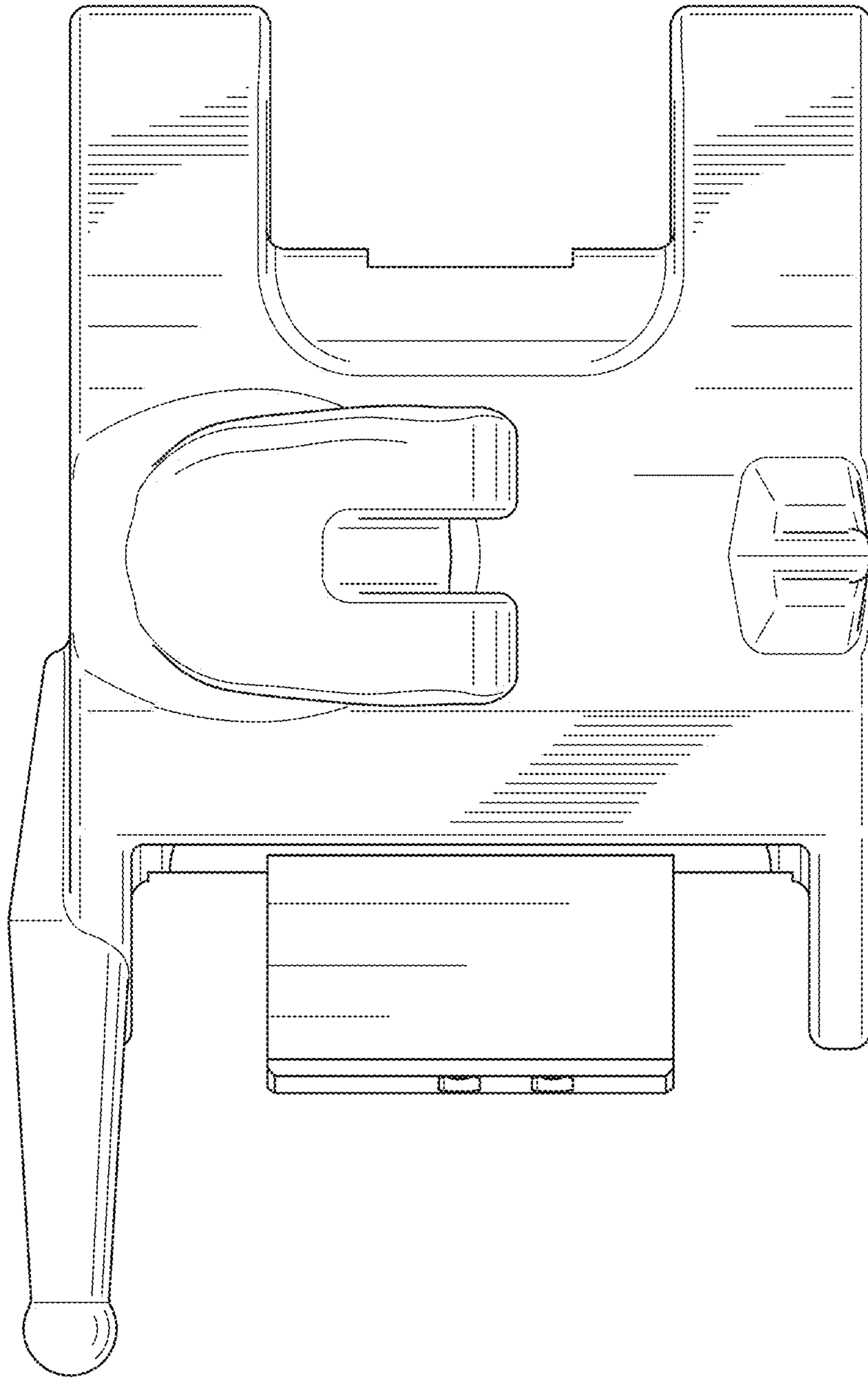


Fig. 5

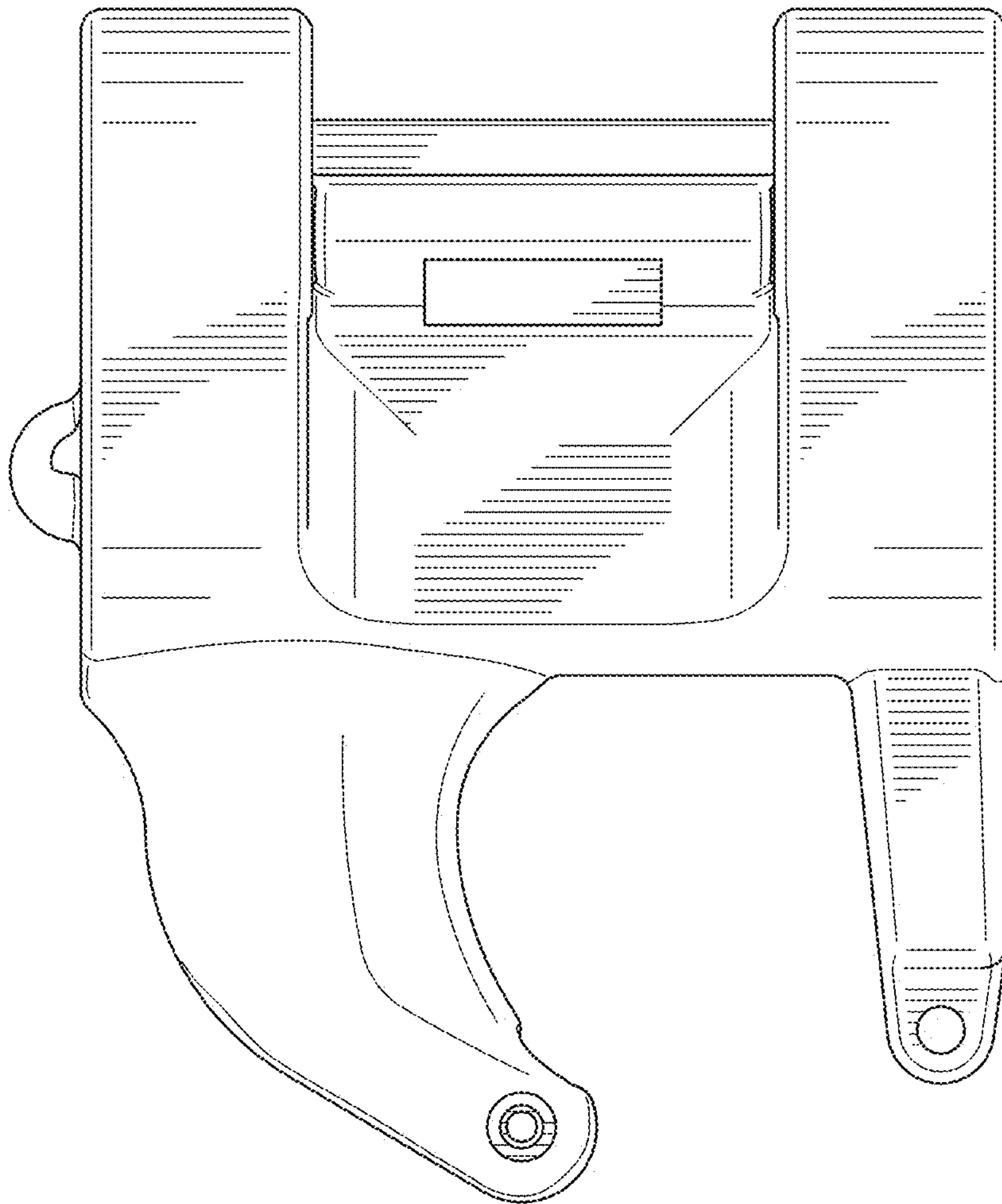


Fig. 6

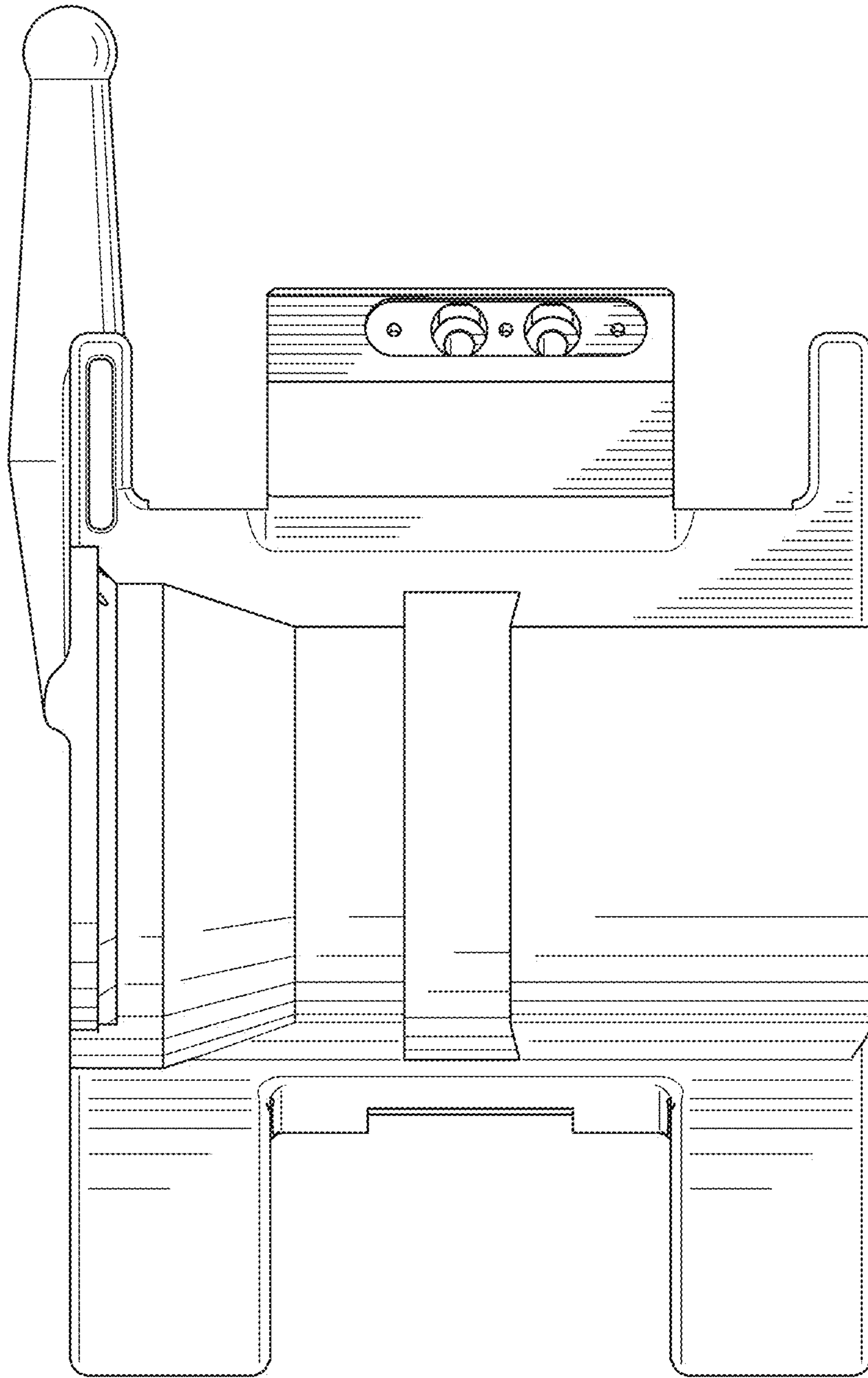


Fig. 7

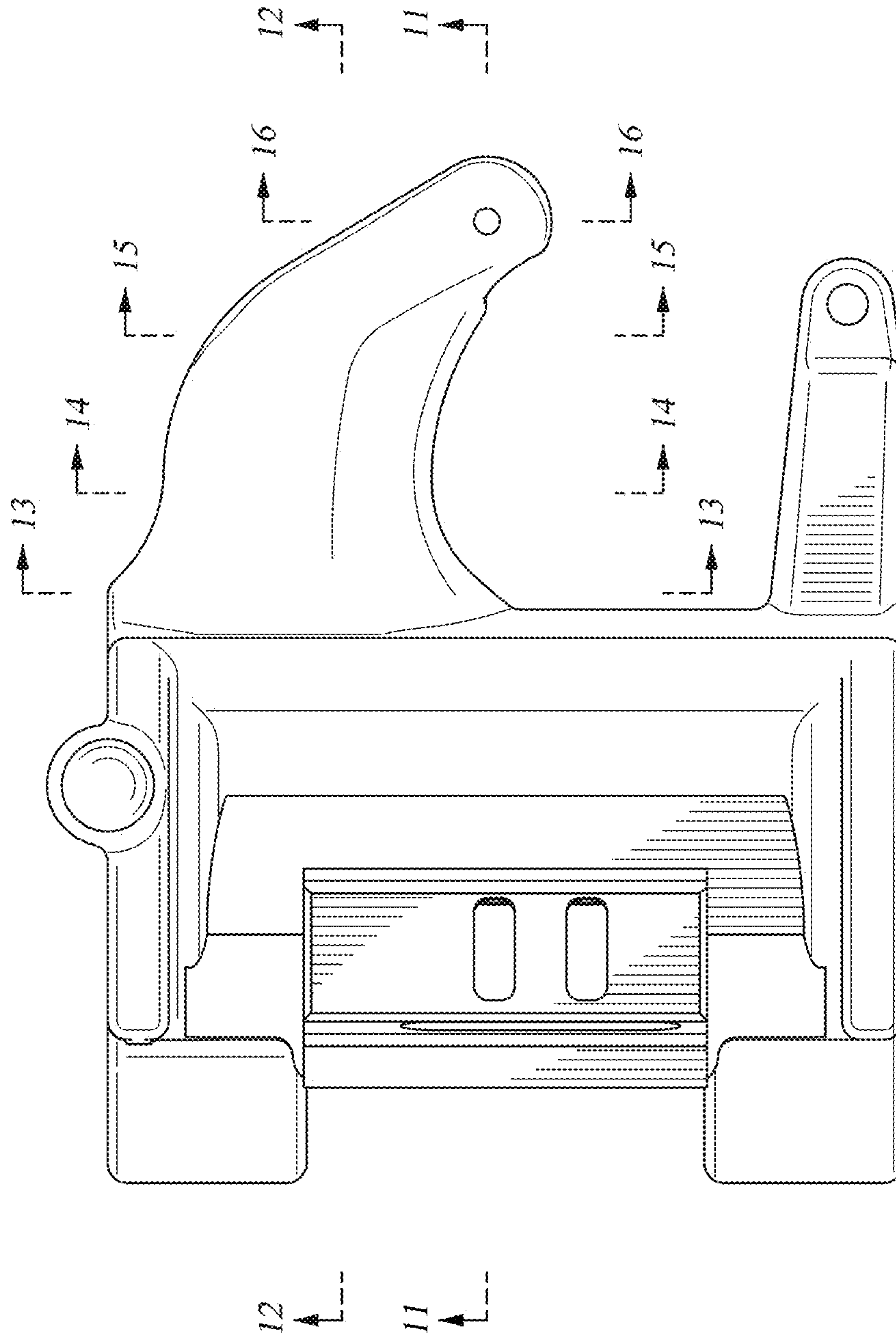


Fig. 8

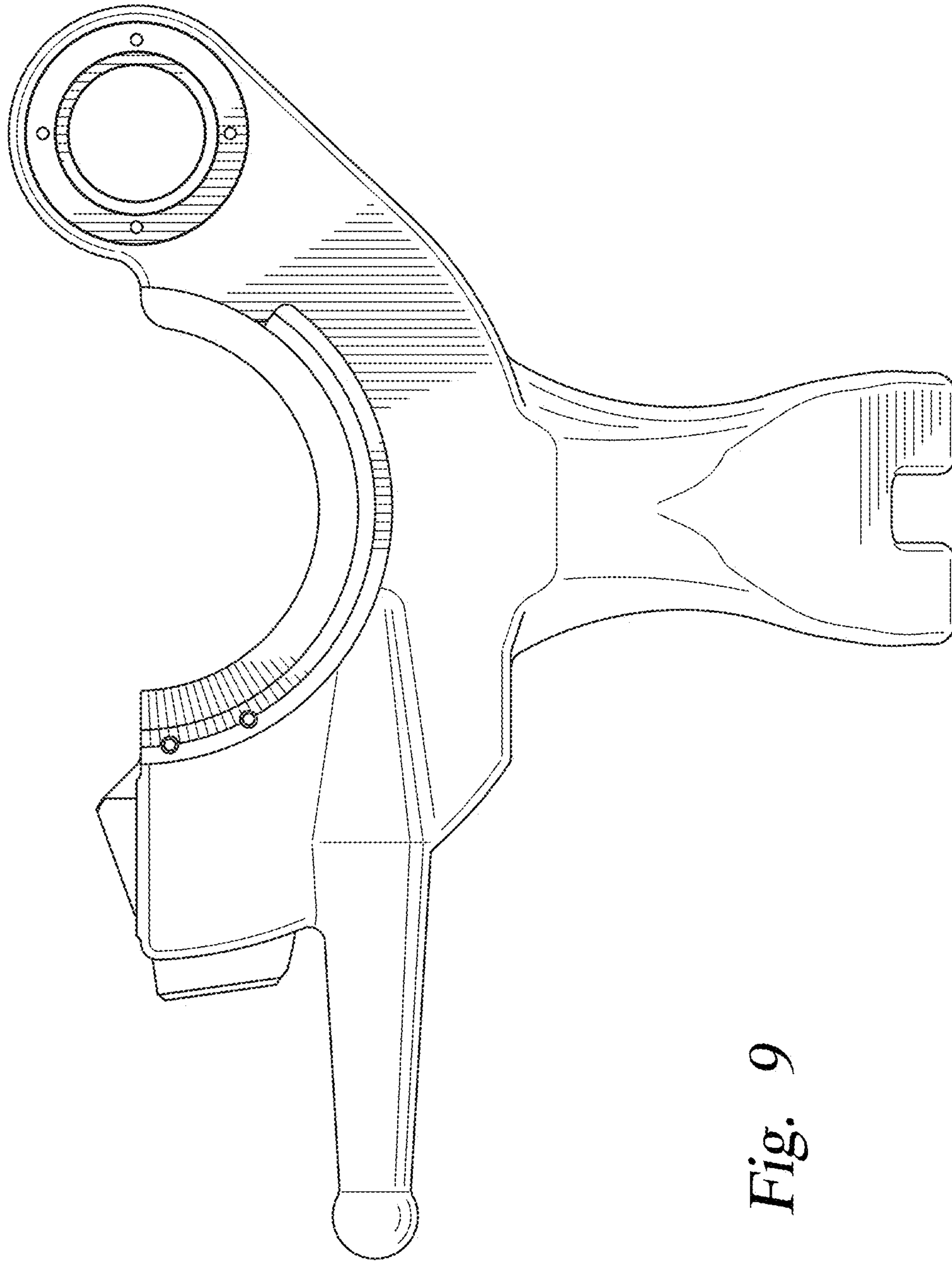


Fig. 9

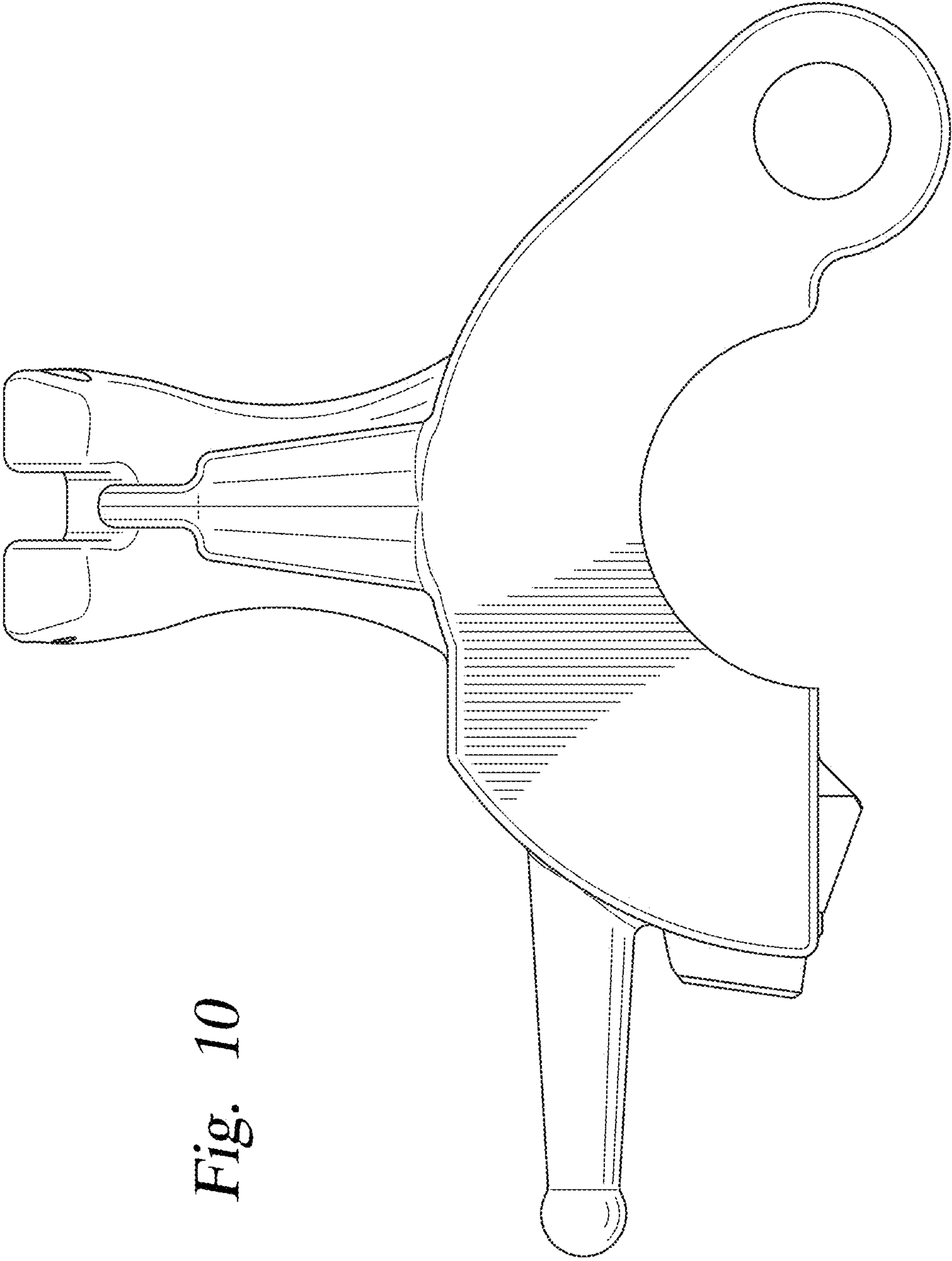


Fig. 10

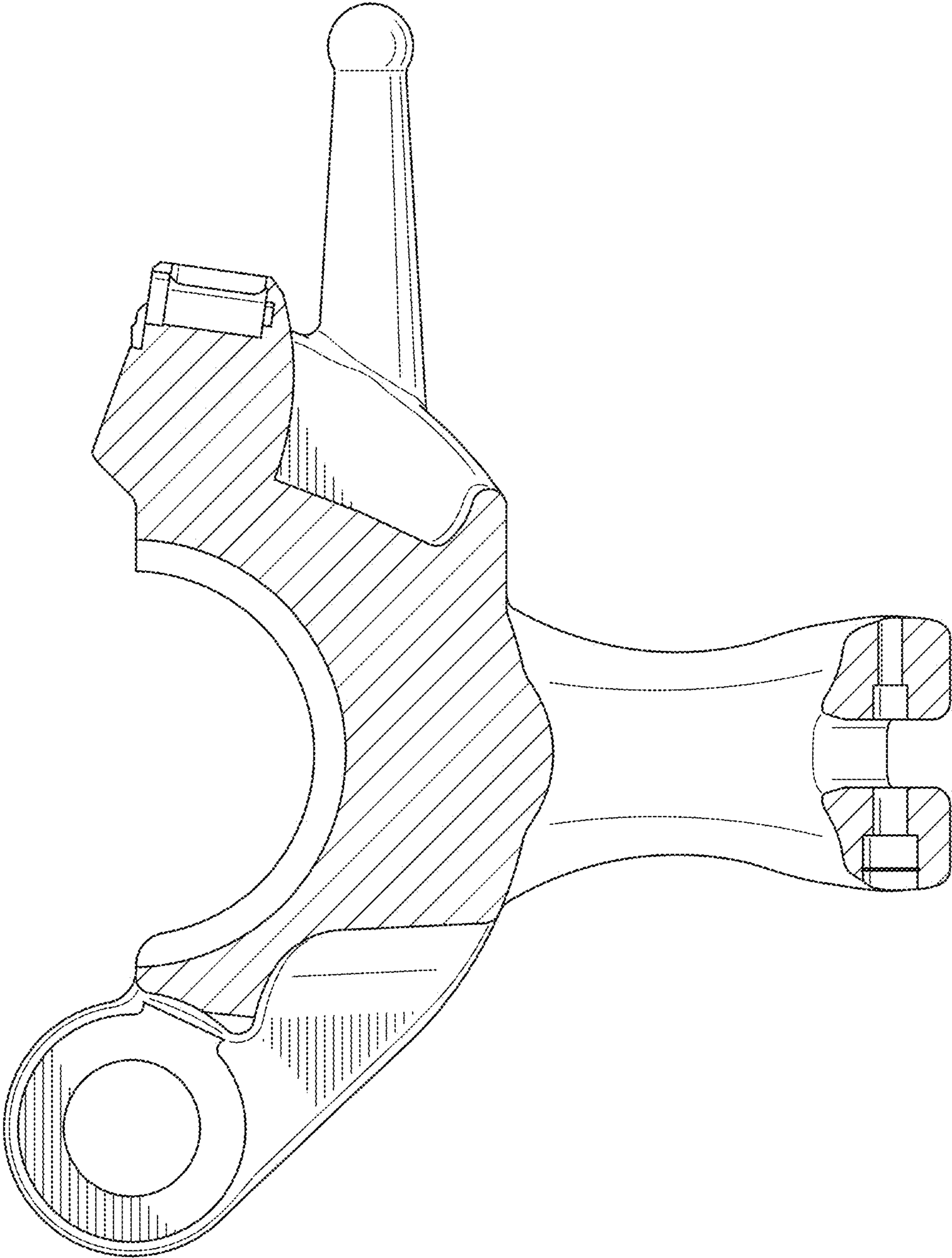


Fig. 11

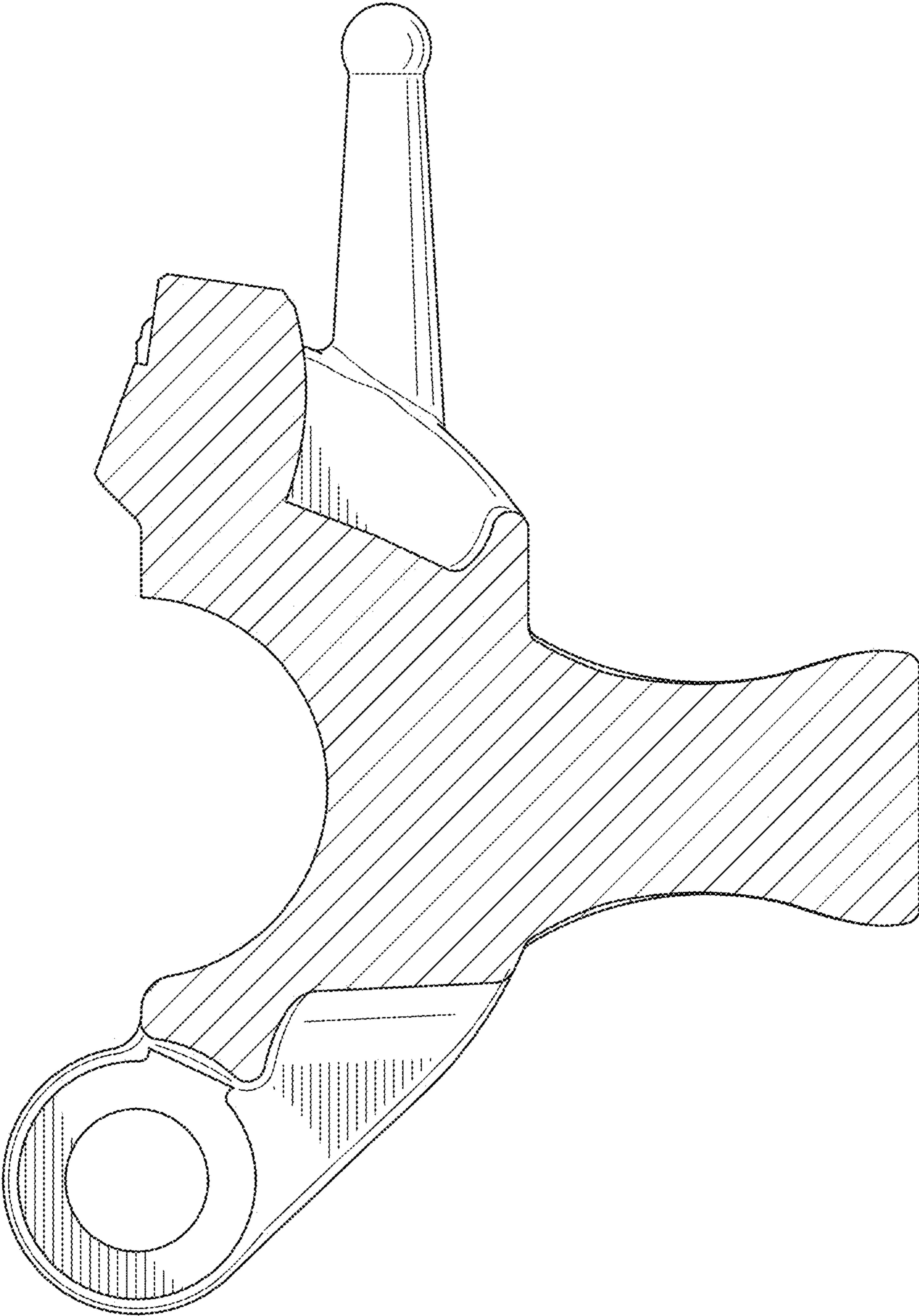


Fig. 12

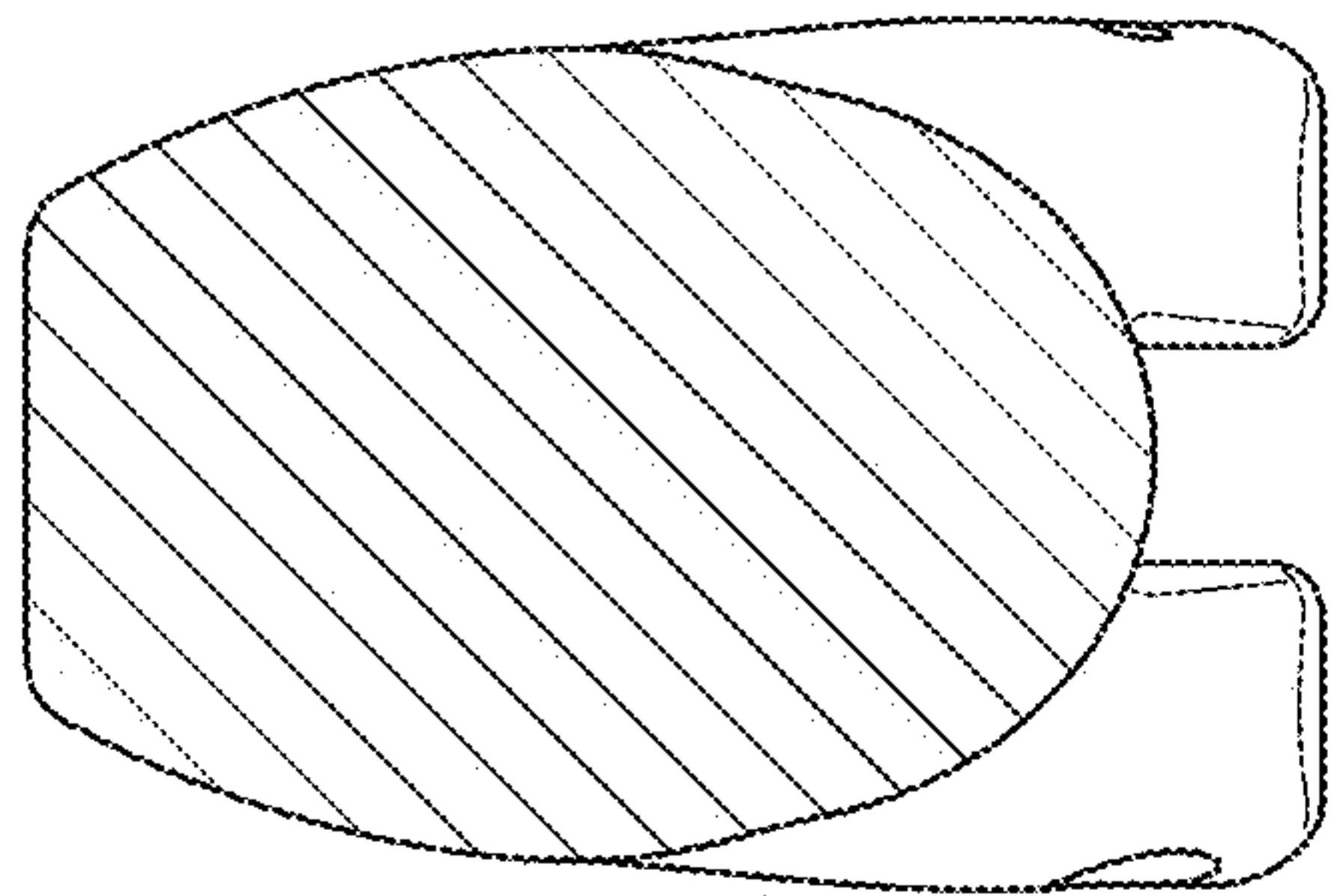


Fig. 13

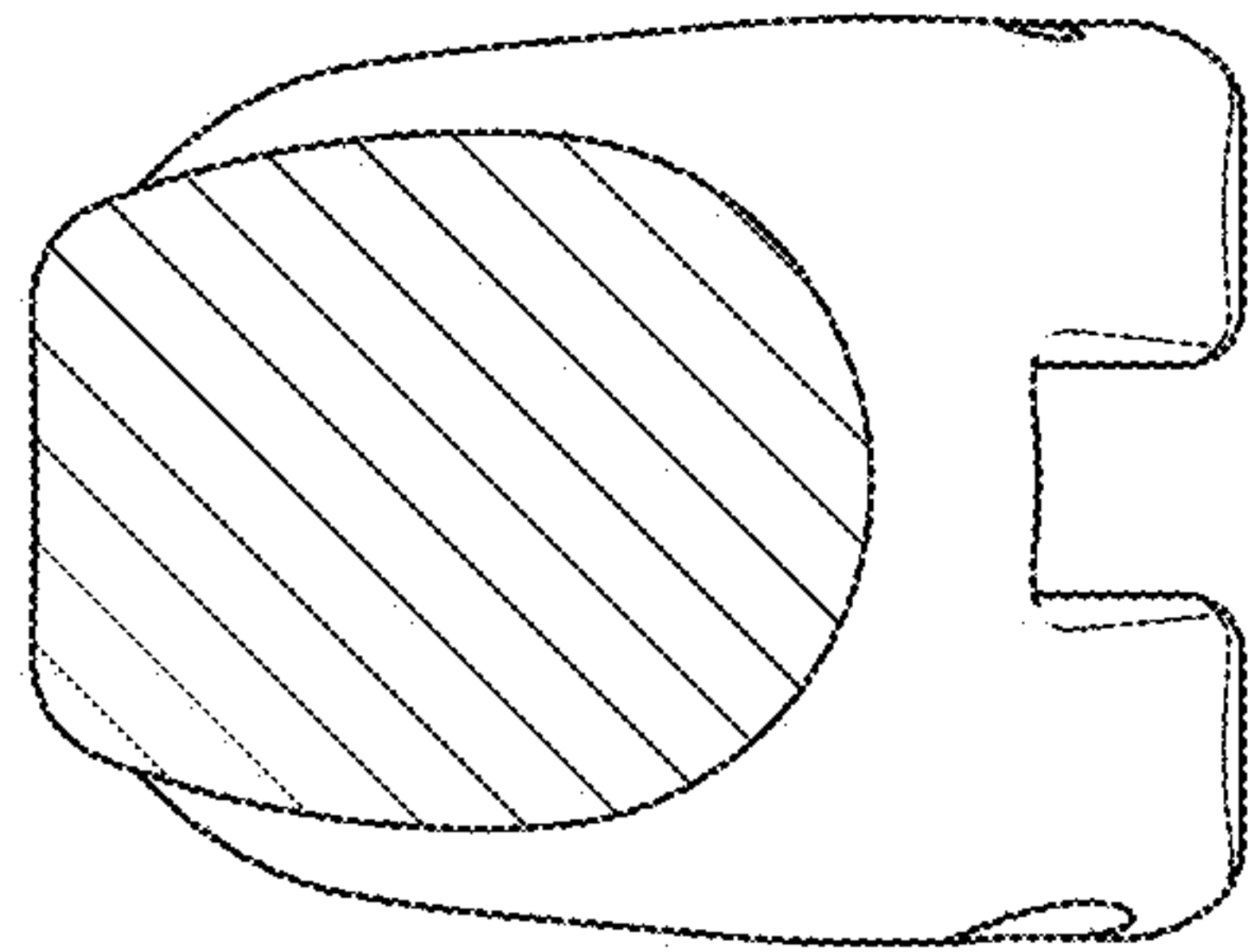


Fig. 14

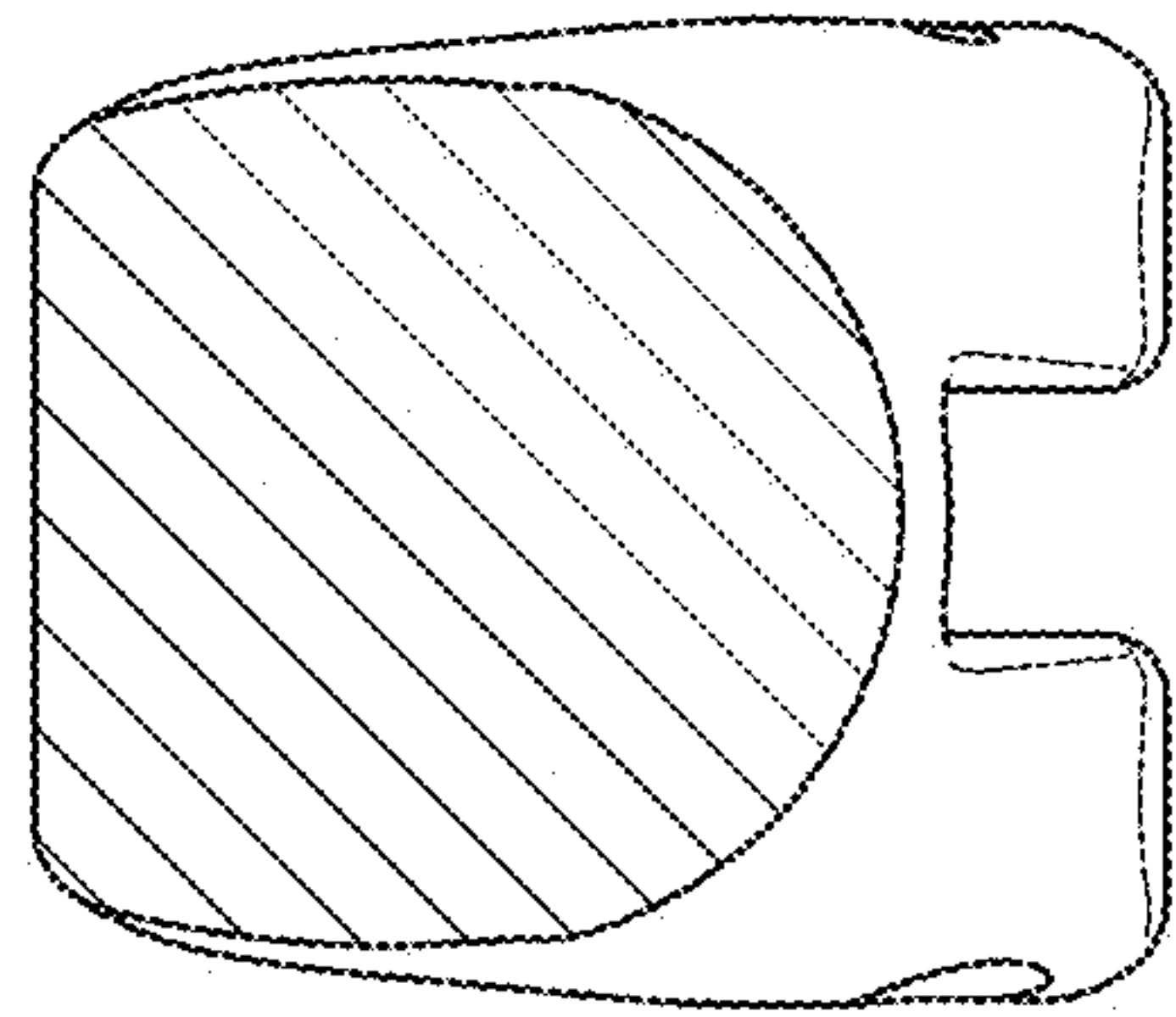


Fig. 15

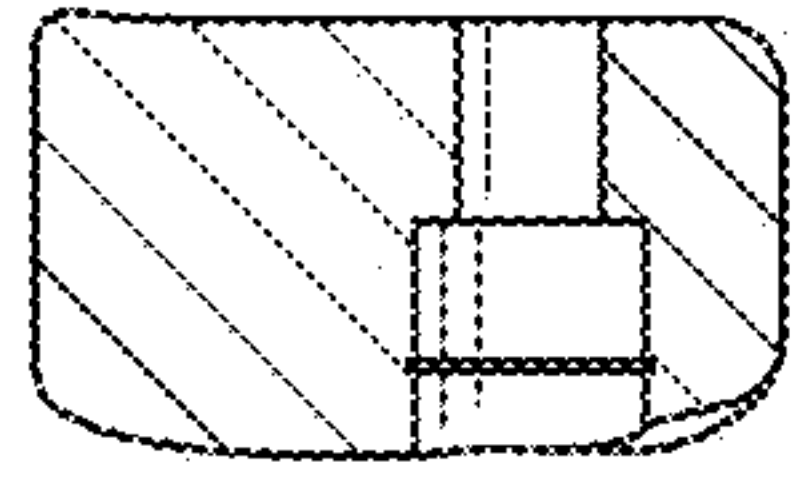


Fig. 16

