



US00D925610S

(12) **United States Design Patent**  
**Chu**

(10) **Patent No.: US D925,610 S**

(45) **Date of Patent: \*\* Jul. 20, 2021**

(54) **CAP FOR AIR COMPRESSOR**

(71) Applicant: **Henry C. Chu**, Orange, CA (US)

(72) Inventor: **Henry C. Chu**, Orange, CA (US)

(\*\*) Term: **15 Years**

(21) Appl. No.: **29/706,089**

(22) Filed: **Sep. 18, 2019**

(51) **LOC (13) Cl. .... 15-02**

(52) **U.S. Cl.**  
USPC ..... **D15/9**

(58) **Field of Classification Search**  
USPC ..... D15/7-9; D23/225, 231, 232, 356, 366;  
D9/689, 529; D12/114  
CPC ..... F04B 53/14; F04B 53/92; F04B 33/00;  
F04B 33/005; F04B 1/005; F04B 39/102;  
F04D 13/06; F04D 29/60; F04D 29/22;  
F04D 29/046; F04D 29/2266; F16K  
11/048; F16K 15/20; F16K 31/602; F16L  
37/18; F16L 37/20; F16L 25/00; B23P  
11/00

See application file for complete search history.

(56) **References Cited**

**U.S. PATENT DOCUMENTS**

D517,091 S	*	3/2006	Sugiyama	.....	D15/7
D533,881 S	*	12/2006	Chu	.....	D15/9
D536,422 S	*	2/2007	Nimberger	.....	D15/5
D537,844 S	*	3/2007	Chu	.....	D15/9
D563,435 S	*	3/2008	Charlet	.....	D15/7
D645,478 S	*	9/2011	Iwanicki	.....	D15/7
D657,391 S	*	4/2012	Chu	.....	D15/9
D668,680 S	*	10/2012	Chen	.....	D15/9
D678,344 S	*	3/2013	Chu	.....	D15/9
D694,270 S	*	11/2013	Chu	.....	D15/9
D700,217 S	*	2/2014	Chu	.....	D15/9
D700,218 S	*	2/2014	Chu	.....	D15/9
D722,328 S	*	2/2015	Sarder	.....	D15/7
D735,242 S	*	7/2015	Chu	.....	D15/9

D738,935 S	*	9/2015	Chu	.....	D15/9
D749,139 S	*	2/2016	Chu	.....	D15/9
D808,439 S	*	1/2018	Hudnall	.....	D15/7
D891,477 S	*	7/2020	Fitzgerald	.....	D15/7
2012/0079997 A1	*	4/2012	Iwanicki	.....	F01P 5/10 123/41.44

**OTHER PUBLICATIONS**

Denso, Denso 471-1407 New Compressor with Clutch, (first available Jan. 2, 2007), Amazon.com, URL:<<https://www.amazon.com/Denso-471-1407-New-Compressor-Clutch/dp/B001UCGHZ4>> (Year: 2007).\*

Denso, Denso 471-1222 New Compressor with Clutch, (first available Jan. 2, 2007), Amazon.com, URL:<<https://www.amazon.com/Denso-471-1222-New-Compressor-Clutch/dp/B001UCGHWM>> (Year: 2007).\*

(Continued)

*Primary Examiner* — Sheryl Lane

*Assistant Examiner* — Mark T. Philipps

(74) *Attorney, Agent, or Firm* — Browdy and Neimark, PLLC

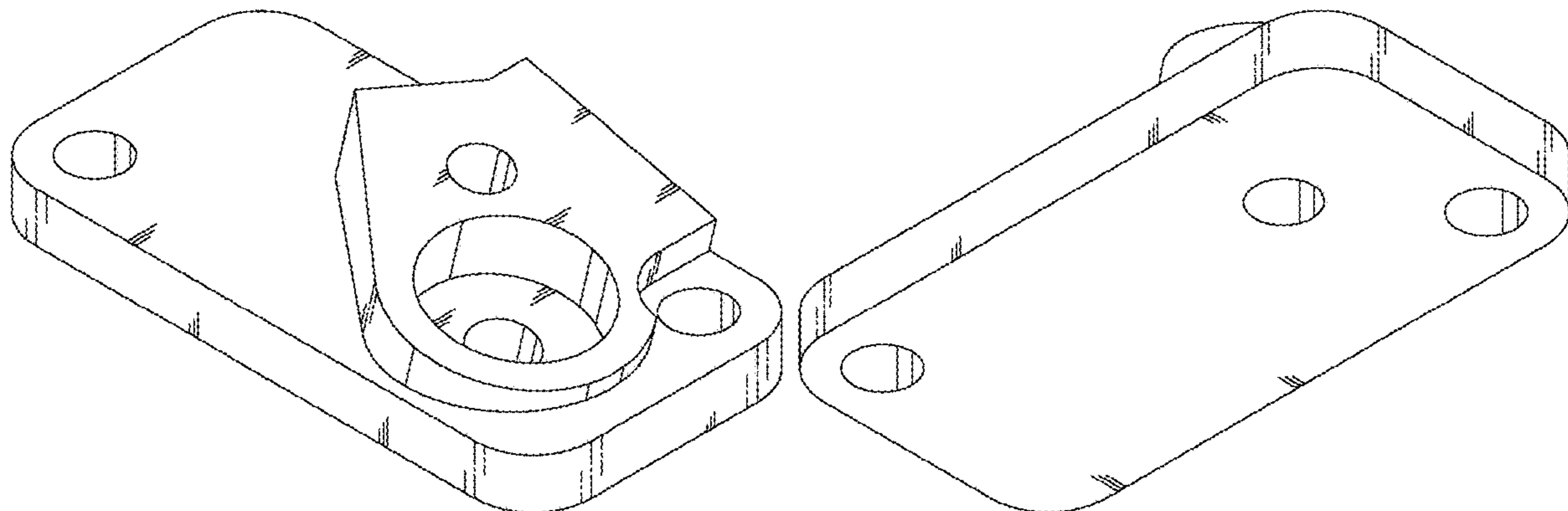
(57) **CLAIM**

The ornamental design for a cap for air compressor, as shown and described.

**DESCRIPTION**

FIG. 1 is a front and upper perspective view of a cap for air compressor showing my new design;  
FIG. 2 is a front elevational view thereof;  
FIG. 3 is a rear elevational view thereof;  
FIG. 4 is a top plan view thereof;  
FIG. 5 is a bottom plan view thereof;  
FIG. 6 is a left side elevational view thereof;  
FIG. 7 is a right side elevational view thereof;  
FIG. 8 is a rear and upper perspective view thereof; and,  
FIG. 9 is a front and bottom perspective view thereof.

**1 Claim, 5 Drawing Sheets**



(56)

**References Cited**

OTHER PUBLICATIONS

Denso, Reciprocating Types, (site visited Oct. 20, 2020), Denso Europe, URL:<<https://www.denso-am.eu/products/automotive-aftermarket/ac-thermal/ac-compressors/reciprocating-types/>> (Year: 2020).\*

\* cited by examiner

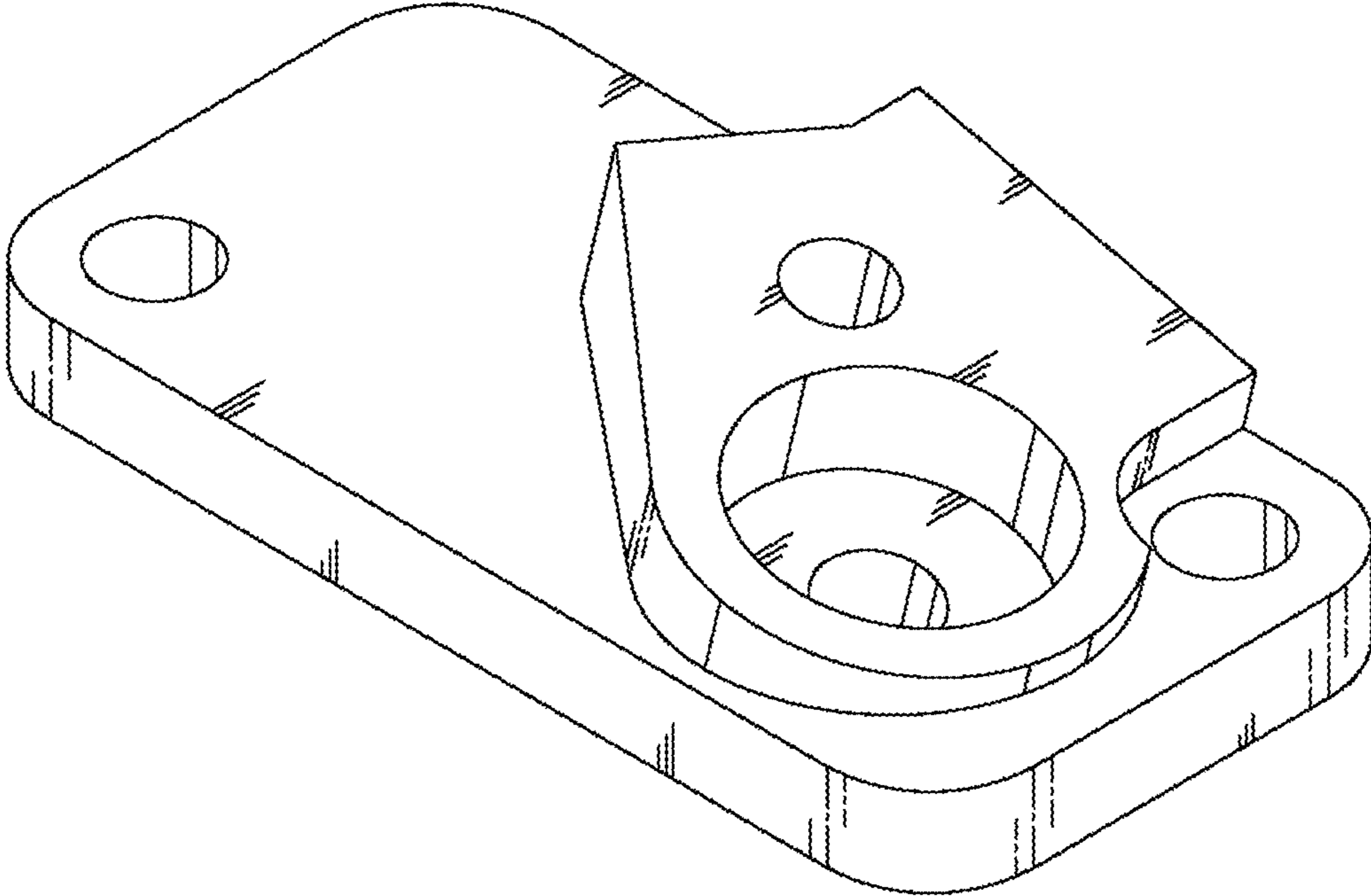


FIG. 1

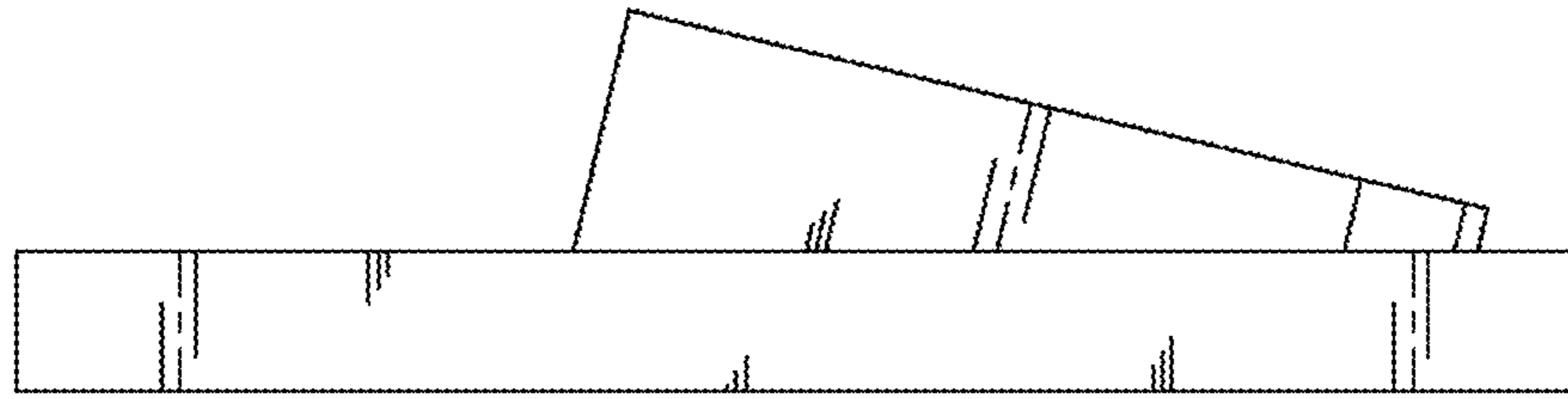


FIG. 2

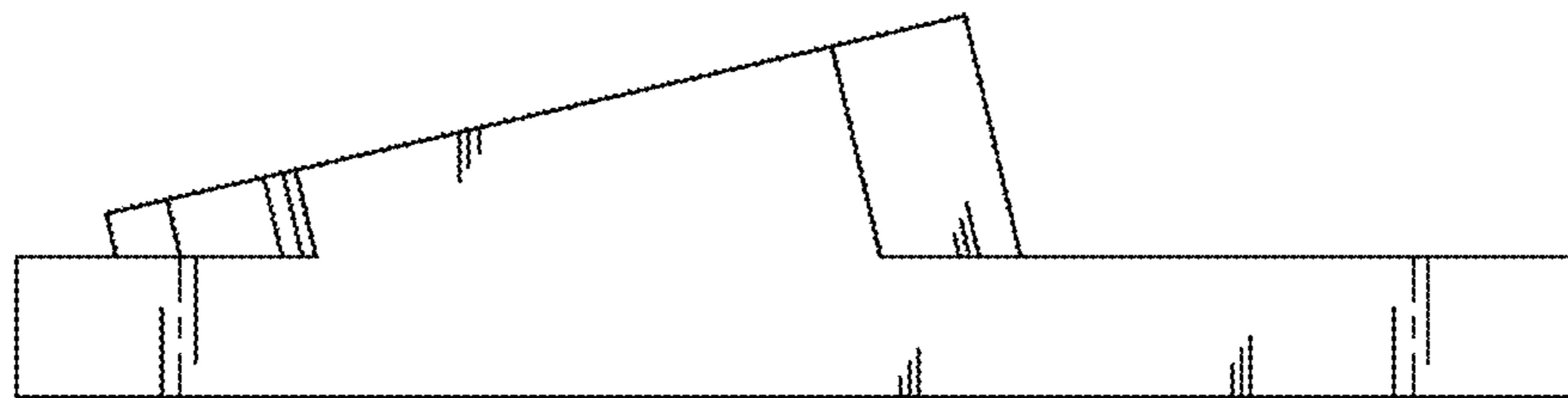


FIG. 3

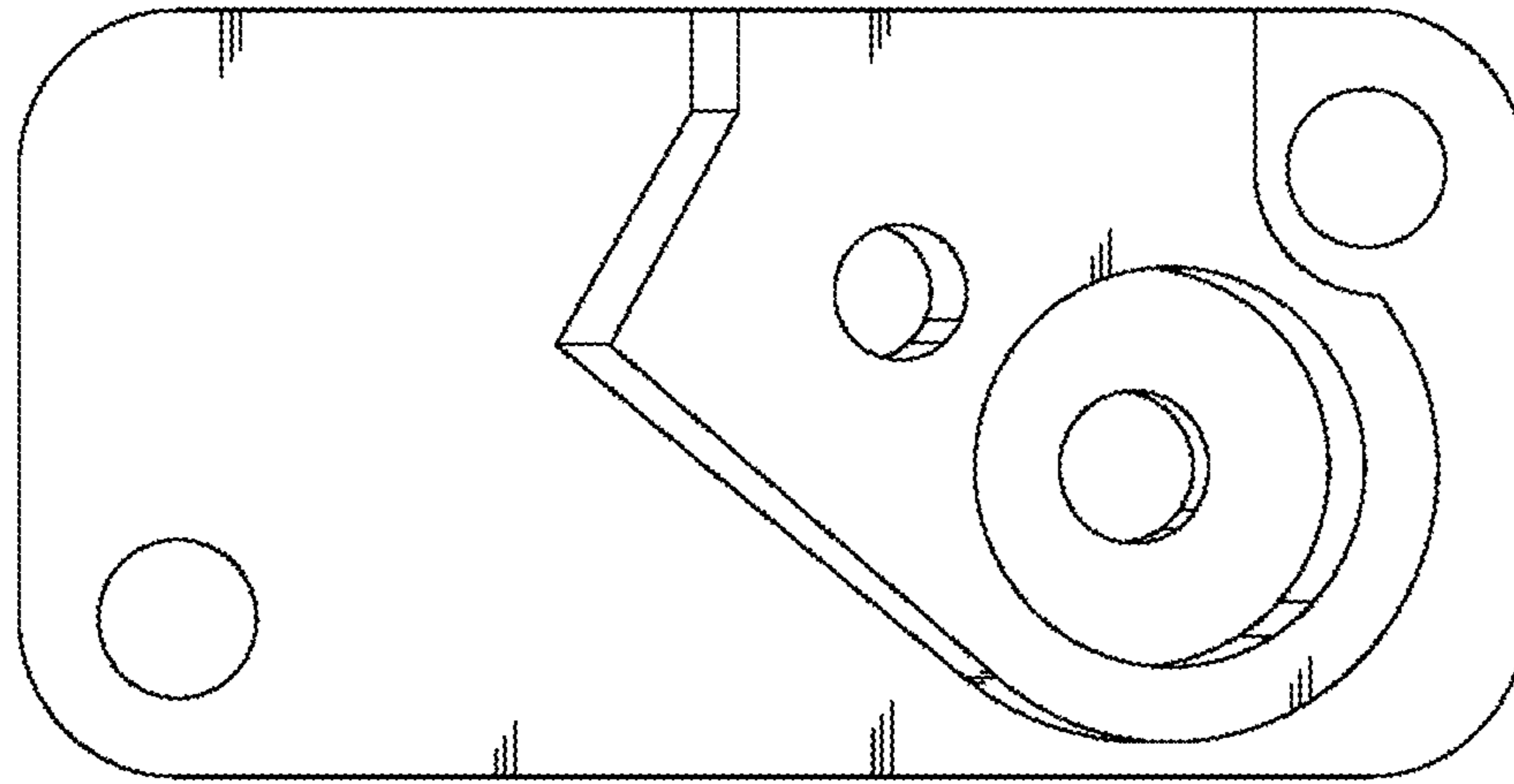


FIG. 4

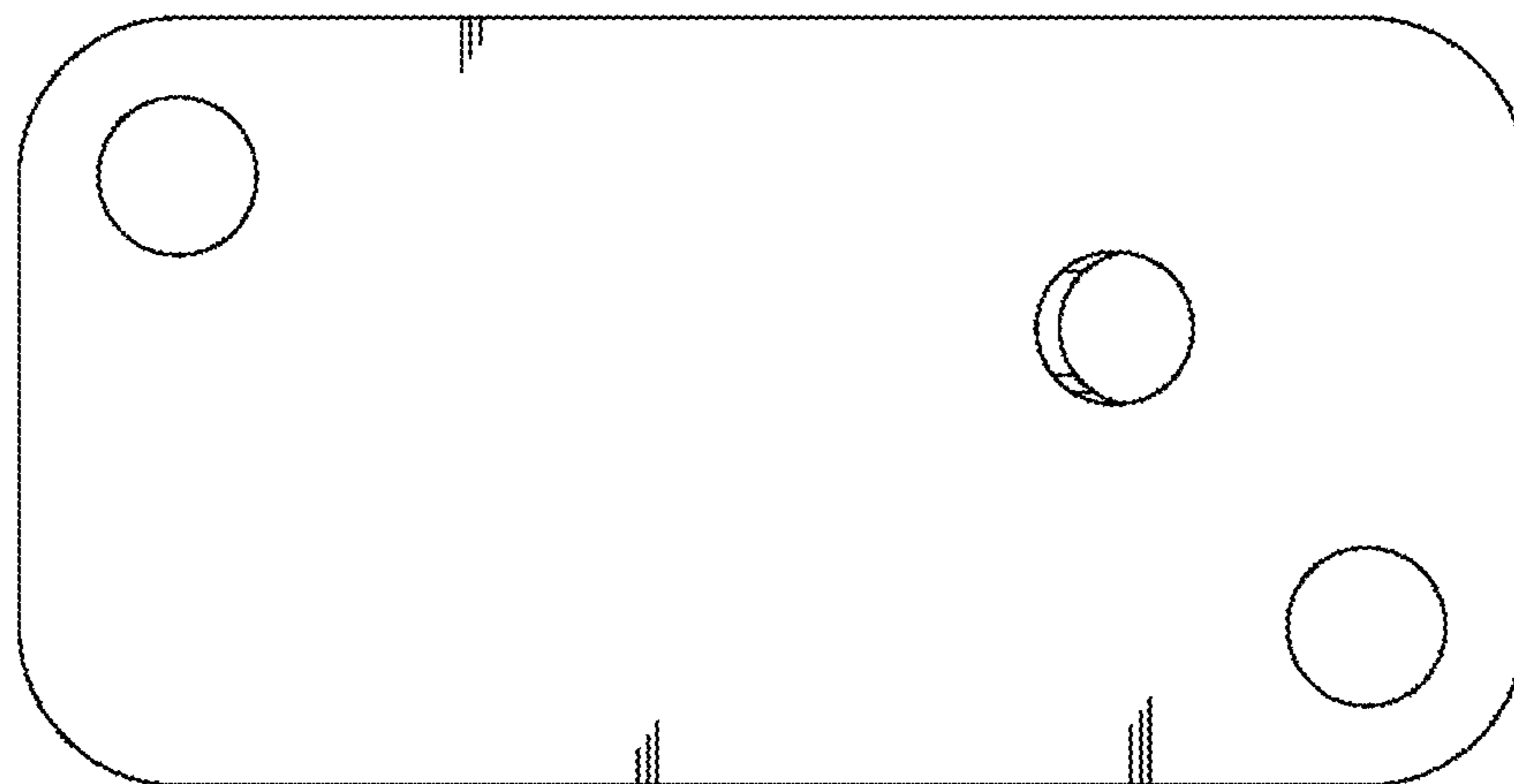


FIG. 5

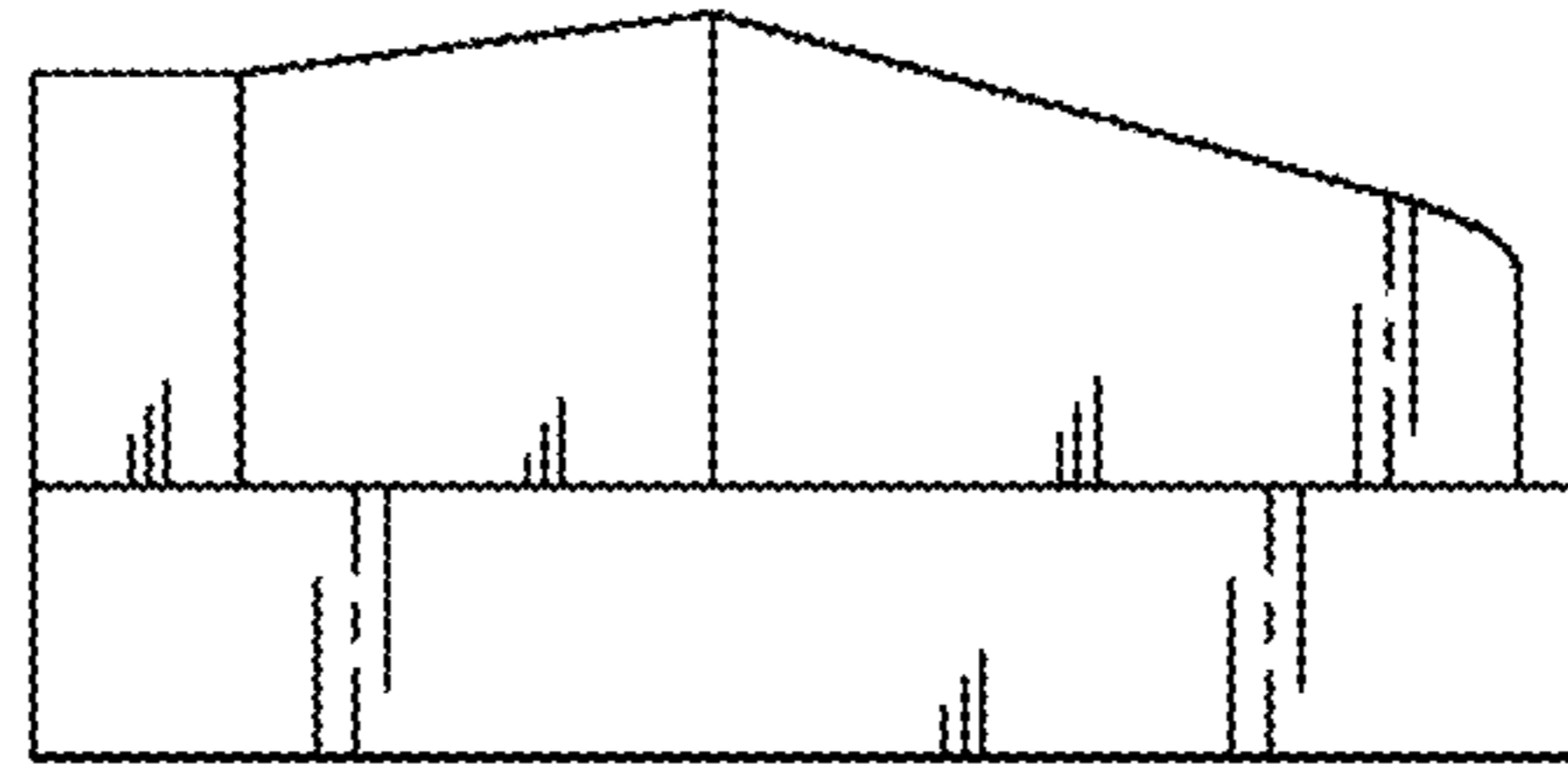


FIG. 6

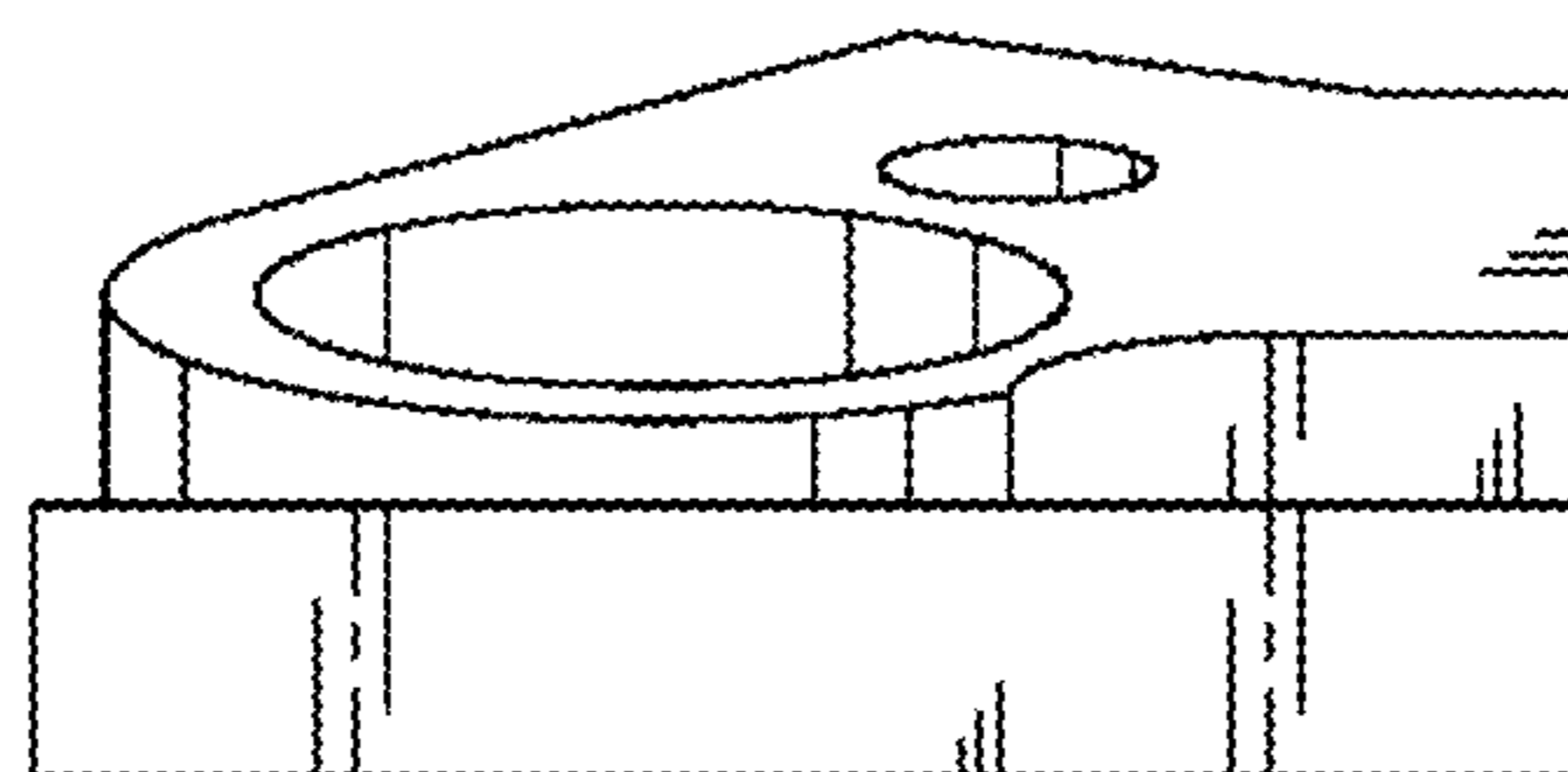


FIG. 7

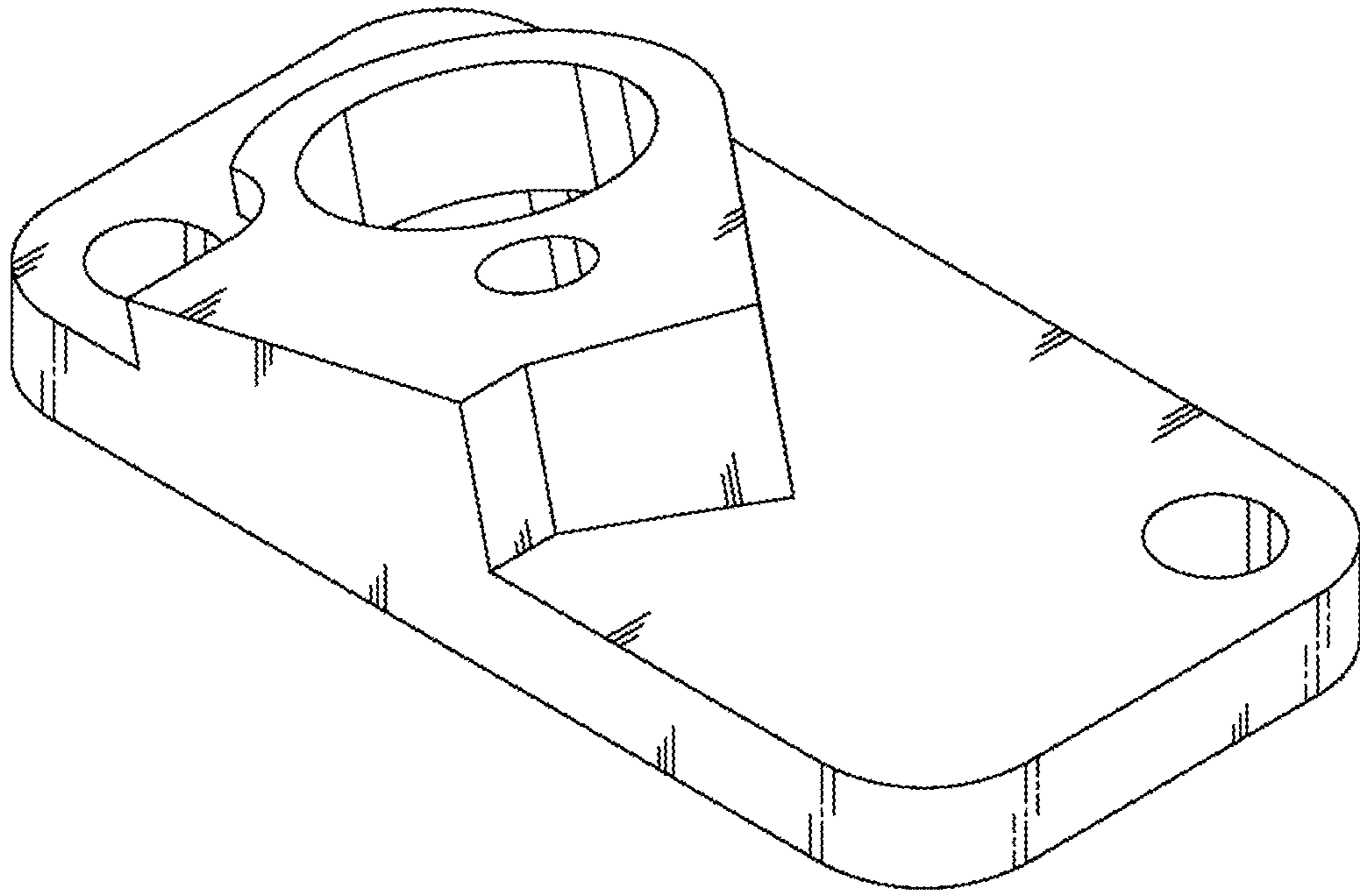


FIG. 8

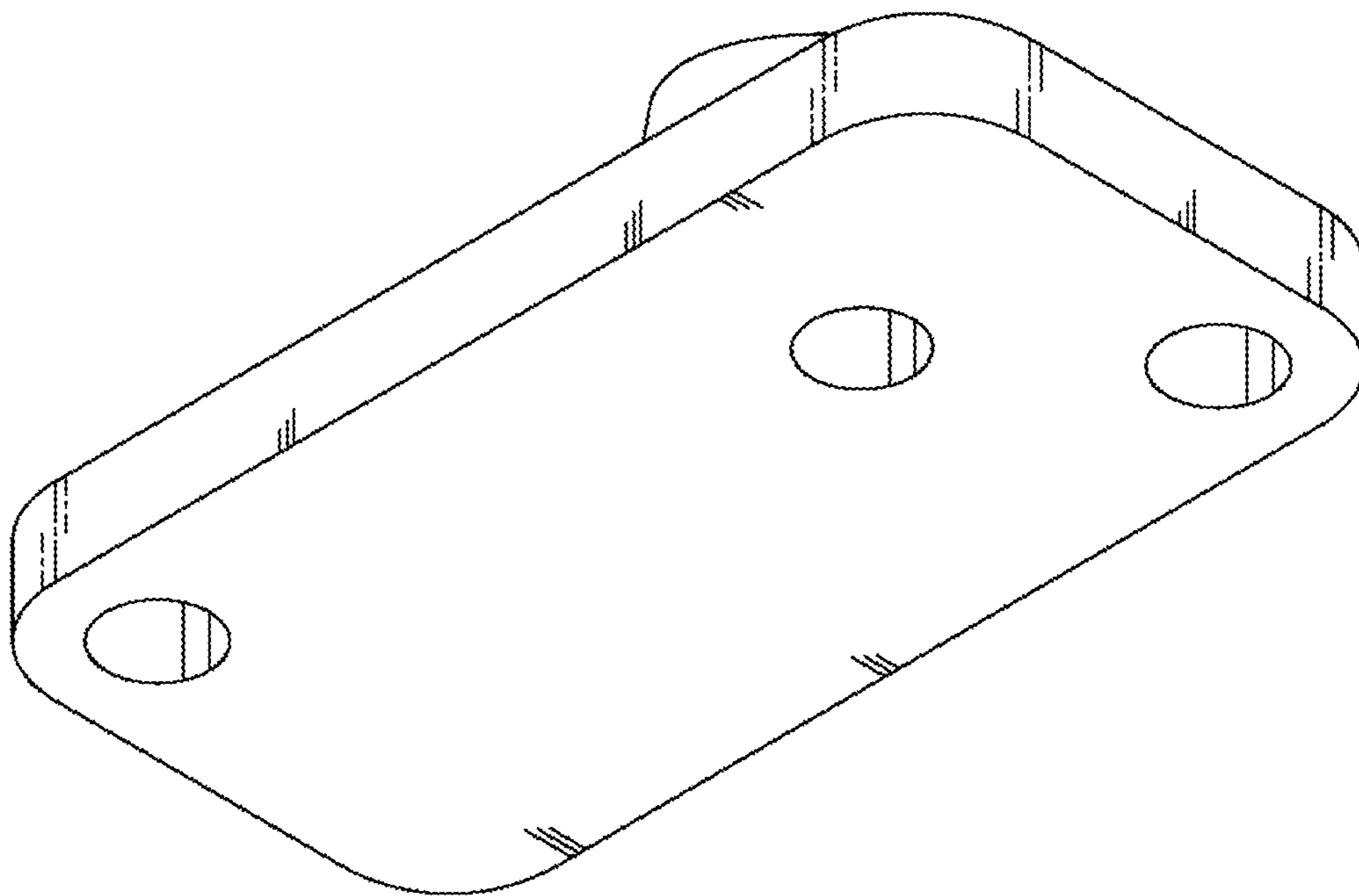


FIG. 9