



US00D925609S

(12) **United States Design Patent** (10) **Patent No.:** **US D925,609 S**
Westerlund (45) **Date of Patent:** **** Jul. 20, 2021**

(54) **STATION FOR FUEL DISTRIBUTION**

(56) **References Cited**

(71) Applicant: **Oazer AB**, Obbola (SE)

U.S. PATENT DOCUMENTS

(72) Inventor: **Boh Westerlund**, Obbola (SE)

D392,291	S	*	3/1998	Alvern	D15/9.1
D429,255	S	*	8/2000	Wilder	D15/9.1
D537,170	S	*	2/2007	Takeuchi	D25/56
D537,532	S	*	2/2007	Takeuchi	D25/56
D550,716	S	*	9/2007	Bennett	D15/7
D613,767	S	*	4/2010	Latsos	D15/7
D614,672	S	*	4/2010	Latsos	D15/7
D706,305	S	*	6/2014	Webb	D15/7
D706,306	S	*	6/2014	Webb	D15/7

(**) Term: **15 Years**

(21) Appl. No.: **35/509,100**

(22) Filed: **Jul. 2, 2019**

* cited by examiner

(80) **Hague Agreement Data**

Int. Filing Date: **Jul. 2, 2019**

Primary Examiner — Khawaja Anwar

Int. Reg. No.: **DM/207056**

(57) **CLAIM**

Int. Reg. Date: **Jul. 2, 2019**

The ornamental design for a station for fuel distribution, as shown and described.

Int. Reg. Pub. Date: **Apr. 17, 2020**

DESCRIPTION

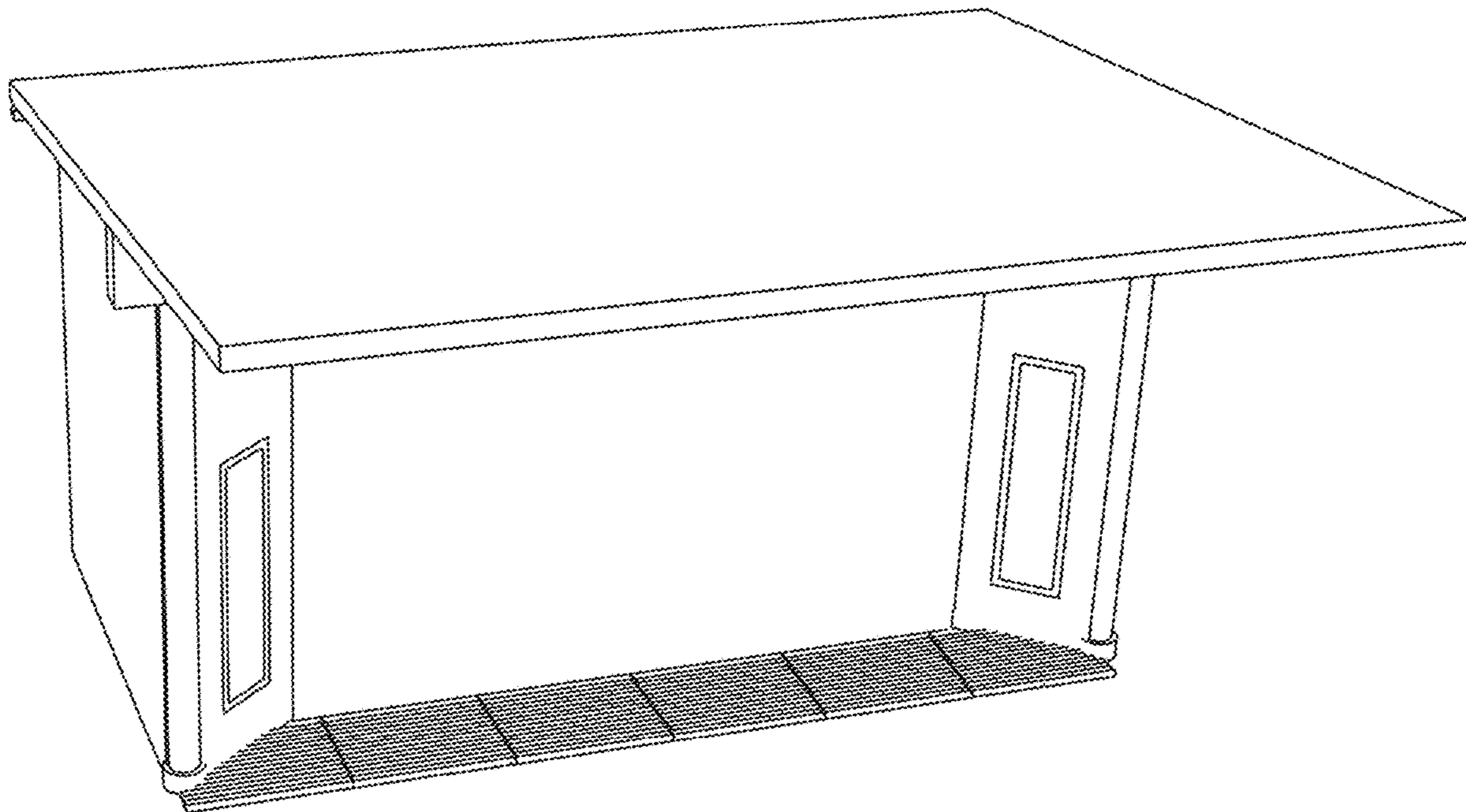
(51) **LOC (13) Cl.** **15-03**

(52) **U.S. Cl.**
USPC **D15/7**

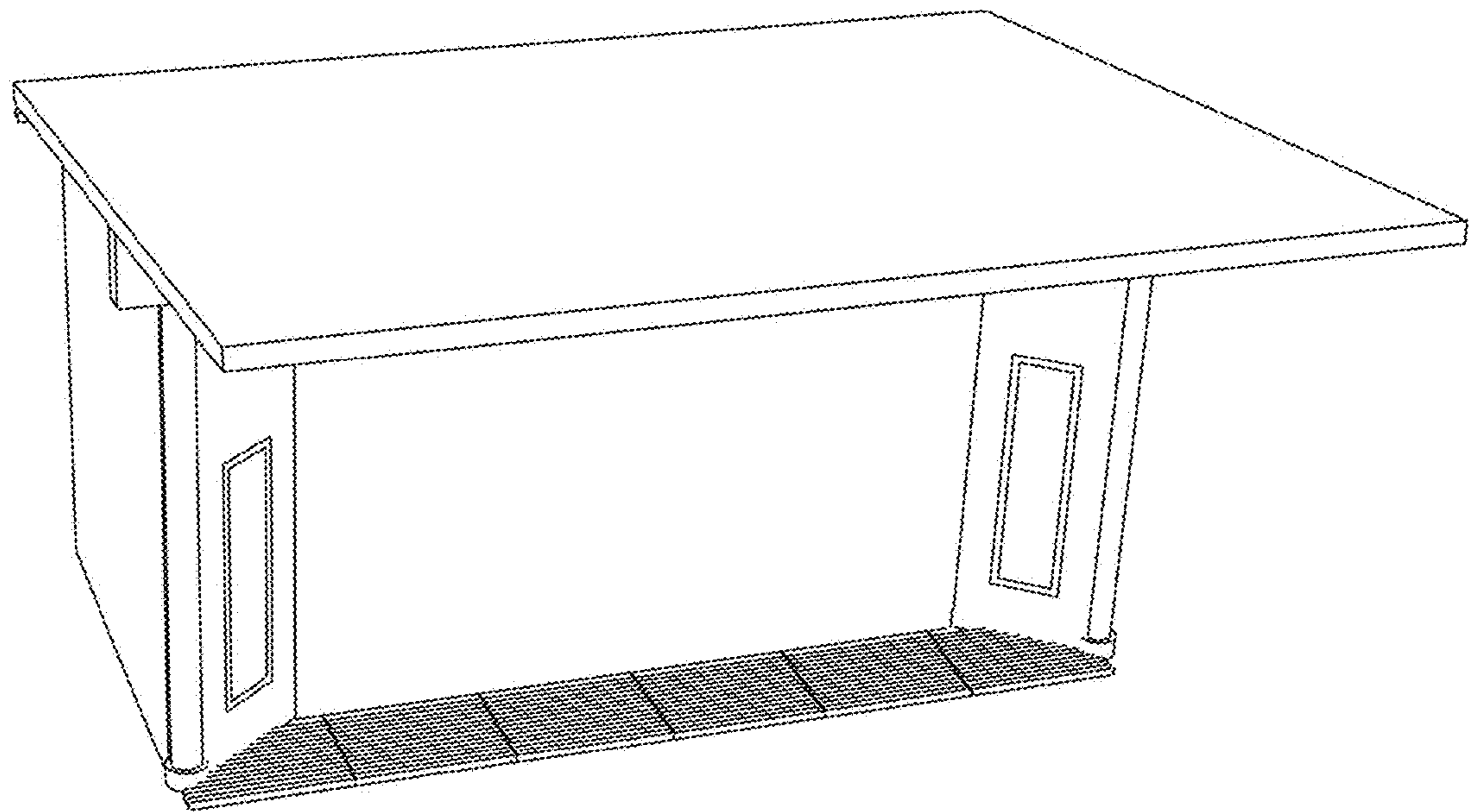
(58) **Field of Classification Search**
USPC D15/7-9, 9.1-9.3
CPC F02M 37/04; F02M 37/14; F04B 53/92;
F04B 1/005; F04D 13/06; F04D 29/22;
F04D 29/046; F04D 29/2266
See application file for complete search history.

1. Station for fuel distribution
FIG. 1.1 is a perspective view of a station for fuel distribution, showing my new design;
FIG. 1.2 is front view thereof;
FIG. 1.3 is a left side view thereof;
FIG. 1.4 is a right view thereof;
FIG. 1.5 is rear view thereof;

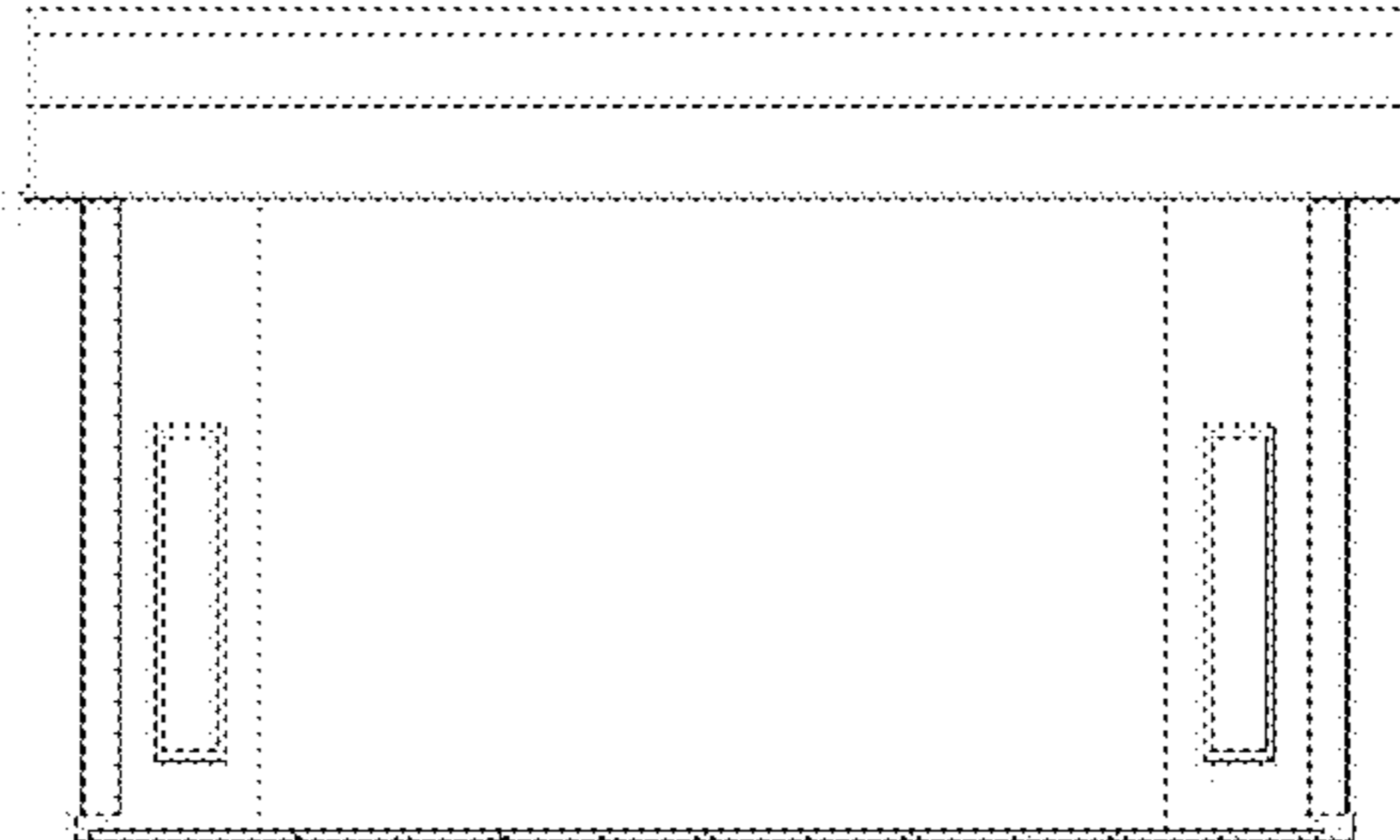
1 Claim, 5 Drawing Sheets



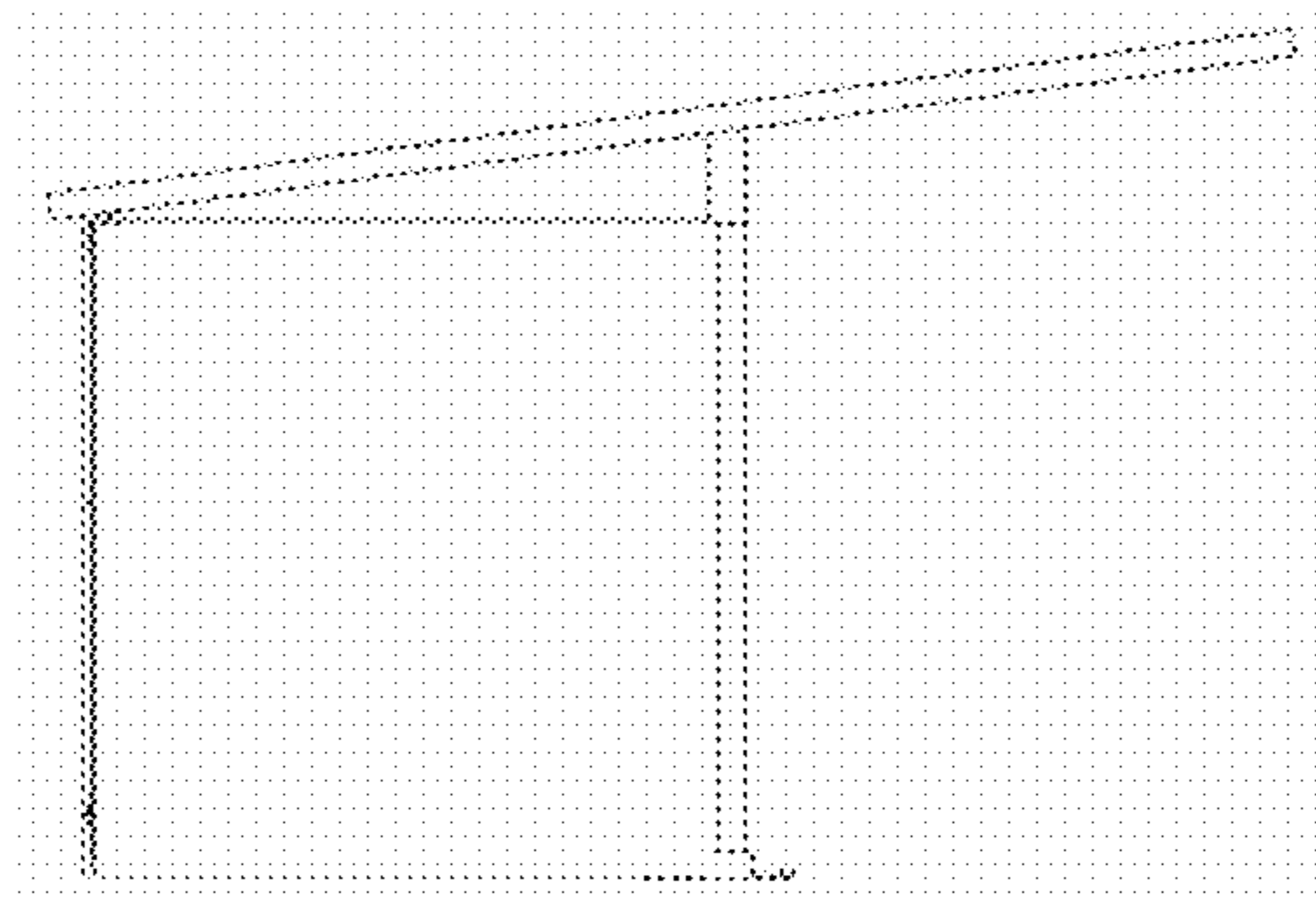
1.1

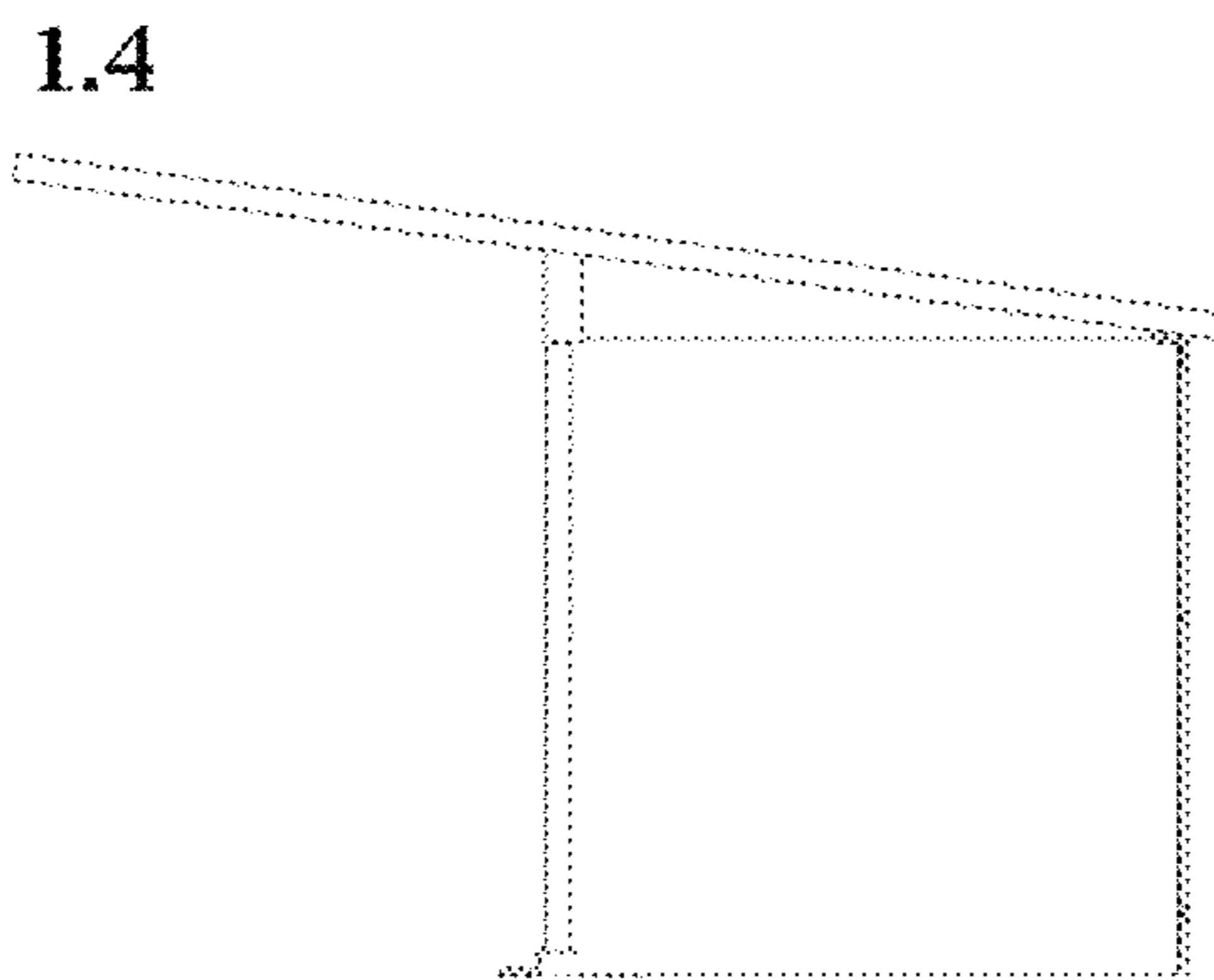


1.2



1.3





1.5

