

US00D925608S

(12) **United States Design Patent** (10) **Patent No.:** **US D925,608 S**
Stoffer et al. (45) **Date of Patent:** **** Jul. 20, 2021**

(54) **PUMP HOUSING**
(71) Applicant: **The Gorman-Rupp Company**,
Mansfield, OH (US)
(72) Inventors: **Michael L. Stoffer**, Ashland, OH (US);
Craig S. Redmond, Lexington, OH
(US)

4,052,133 A 10/1977 Yeater
4,145,008 A 3/1979 Woford
D294,946 S * 3/1988 Wilden D15/7
4,758,133 A 7/1988 Clark et al.
4,844,701 A 7/1989 Woford et al.
4,865,526 A 9/1989 Clark et al.
5,180,297 A 1/1993 Hansen et al.
5,197,869 A 3/1993 Hansen et al.

(Continued)

(73) Assignee: **The Gorman-Rupp Company**,
Mansfield, OH (US)

(**) Term: **15 Years**

(21) Appl. No.: **29/695,510**

(22) Filed: **Jun. 19, 2019**

(51) **LOC (13) Cl.** **15-02**

(52) **U.S. Cl.**
USPC **D15/7**

(58) **Field of Classification Search**
USPC D15/7-9; D23/225, 231, 232, 206, 213,
D23/214, 387, 421; D9/432, 500-502,
D9/539, 566, 770
CPC F04D 13/06; F04D 29/041; F04D 29/22;
F04D 29/60; F04D 29/605; F04D
15/0088; F04D 15/0066; F04D 15/0245;
F04D 3/00; F04D 3/005; F04D 3/02;
F04B 17/03; F04B 17/046; F04B 17/048;
F04B 35/04; F04B 43/04; F04B 43/043;
F04B 2203/0208
See application file for complete search history.

(56) **References Cited**

U.S. PATENT DOCUMENTS

1,069,408 A * 8/1913 Gaede F04D 25/163
415/66
3,644,061 A 2/1972 McFarlin
3,719,436 A 3/1973 McFarlin
3,741,675 A 6/1973 Porter et al.
3,778,181 A 12/1973 McFarlin
3,898,014 A 8/1975 Mesiter et al.

OTHER PUBLICATIONS

Gorman-Rupp Pumps, "Self-Priming Pumps", Products, Retrieved
Date: Jan. 20, 2020, Retrieved At: <<[https://www.grpumps.com/
product](https://www.grpumps.com/product)>>, pp. 1-15.

Primary Examiner — Sheryl Lane

Assistant Examiner — Mark T. Philipps

(74) *Attorney, Agent, or Firm* — Medley, Behrens &
Lewis LLC; Lorri W. Cooper

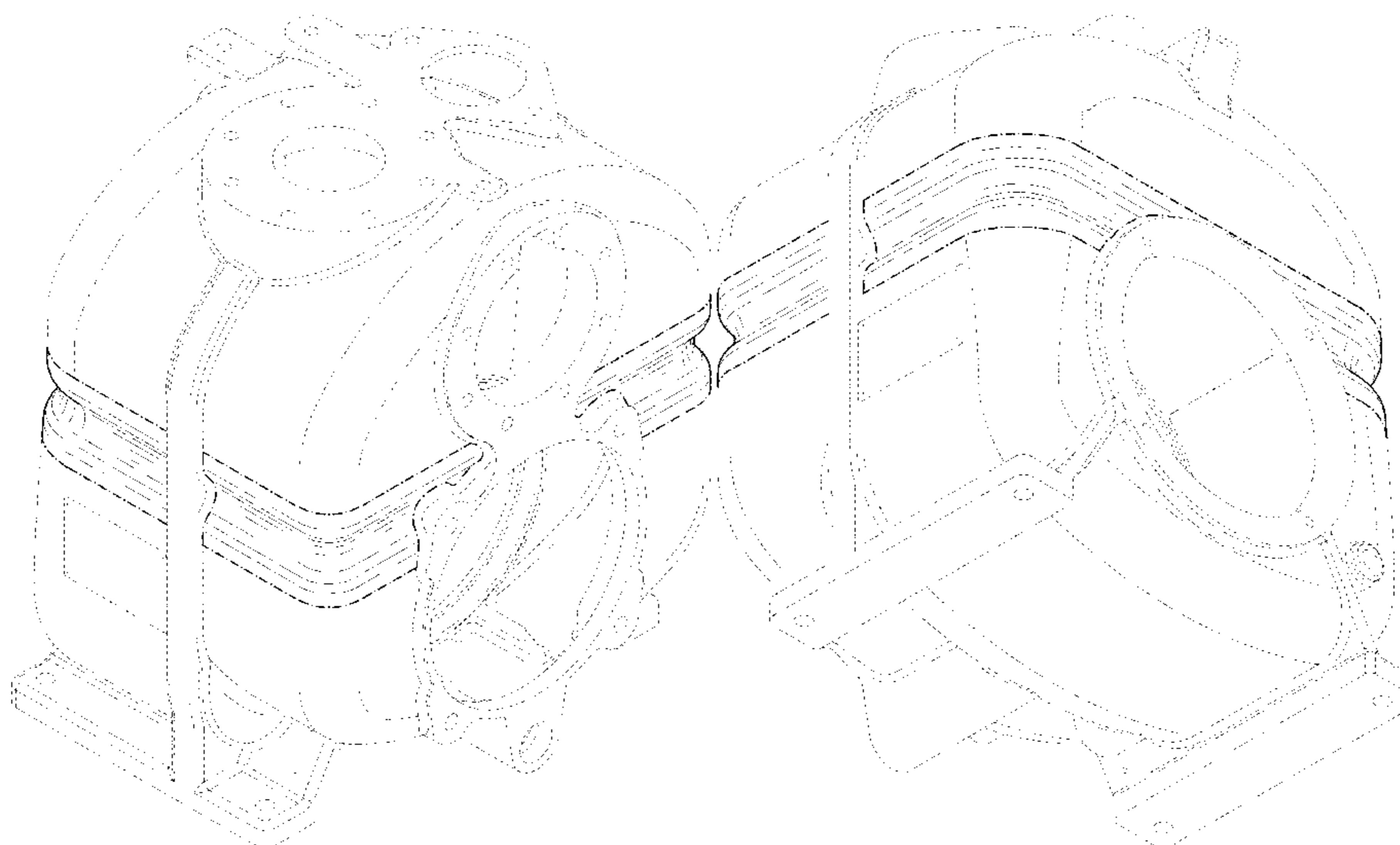
(57) **CLAIM**

The ornamental design for a pump housing, as shown and
described.

DESCRIPTION

FIG. 1 is a top perspective view of an example pump
housing depicting an inventive waistband for the pump
housing;
FIG. 2 is a bottom perspective view of the pump housing of
FIG. 1;
FIG. 3 is a front plan view thereof;
FIG. 4 is a rear plan view thereof;
FIG. 5 is a top plan view thereof;
FIG. 6 is a bottom plan view thereof;
FIG. 7 is a right-side plan view thereof; and,
FIG. 8 is a left-side plan view thereof.
The uniform dashed broken lines depict portions of the
pump housing and form no part of the claimed design.
The dash-dot-dash lines define the bounds of the claimed
design and form no part thereof.

1 Claim, 7 Drawing Sheets



(56)

References Cited

U.S. PATENT DOCUMENTS

D412,119	S *	7/1999	Guertin	D9/520
D435,855	S *	1/2001	Donelson	D15/7
6,799,943	B2	10/2004	Racer et al.	
6,877,034	B1	5/2005	Mesiter et al.	
D534,547	S *	1/2007	Racer	D15/7
7,156,614	B2	1/2007	Racer et al.	
D625,740	S *	10/2010	Varini	D15/7
8,128,340	B2	3/2012	Racer et al.	
8,414,257	B2	4/2013	Scott et al.	
8,500,393	B2	8/2013	Cartwright et al.	
D704,748	S *	5/2014	Beers	D15/7
D705,817	S *	5/2014	Bayyouk	D15/7
D740,676	S *	10/2015	Brown	D9/500
D817,360	S *	5/2018	Dietzsch	D15/7
D822,719	S *	7/2018	Hines	D15/7
D845,772	S *	4/2019	Hall	D9/502
D861,043	S *	9/2019	Suwabe	D15/7
D901,542	S *	11/2020	Conley	D15/7
2008/0193276	A1 *	8/2008	Racer	F04D 7/04 415/62
2011/0164973	A1 *	7/2011	Smith	F04D 29/106 415/213.1
2015/0118024	A1	4/2015	Thiel et al.	
2019/0136845	A1 *	5/2019	Ezzo	F16J 3/02

* cited by examiner

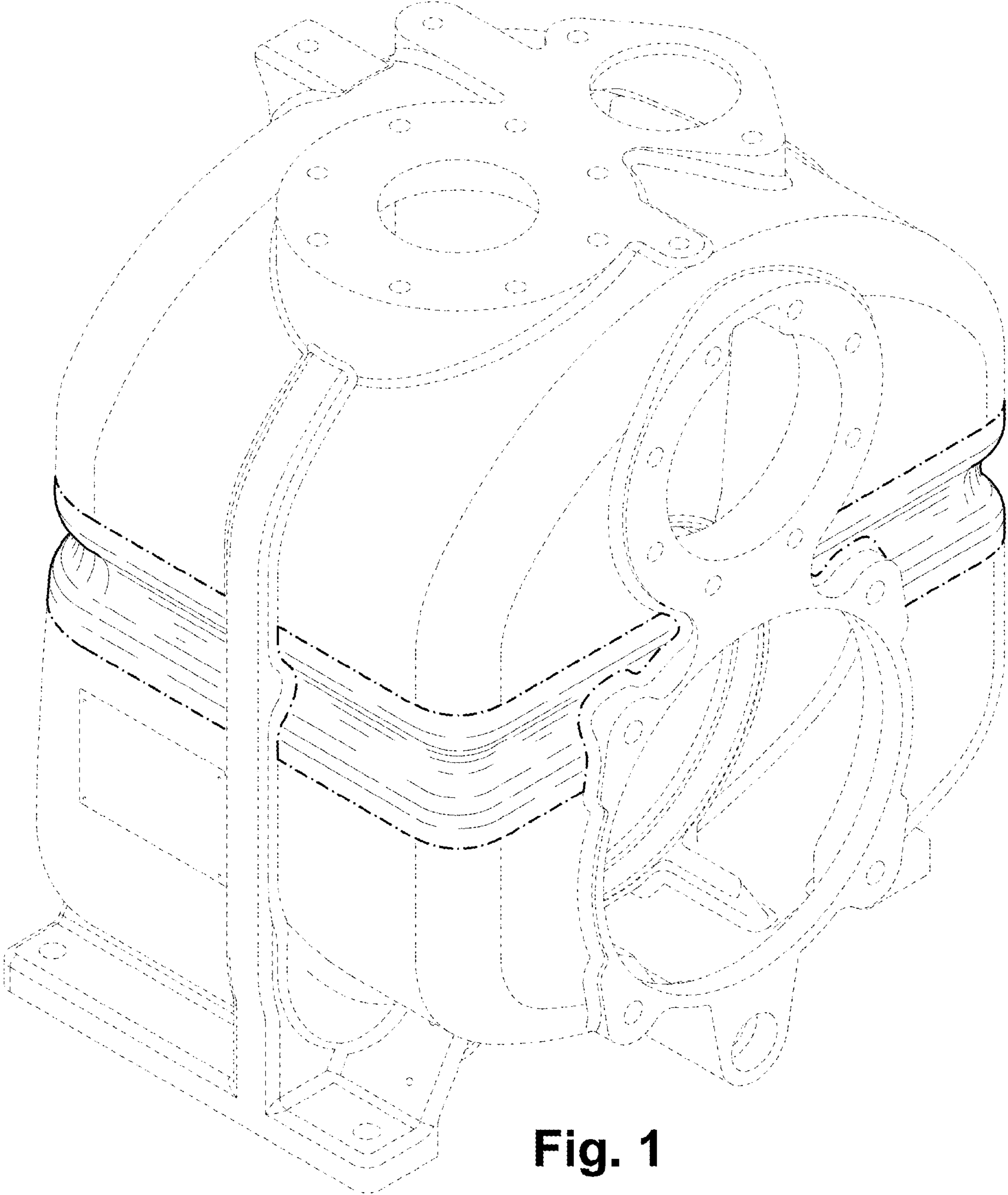


Fig. 1

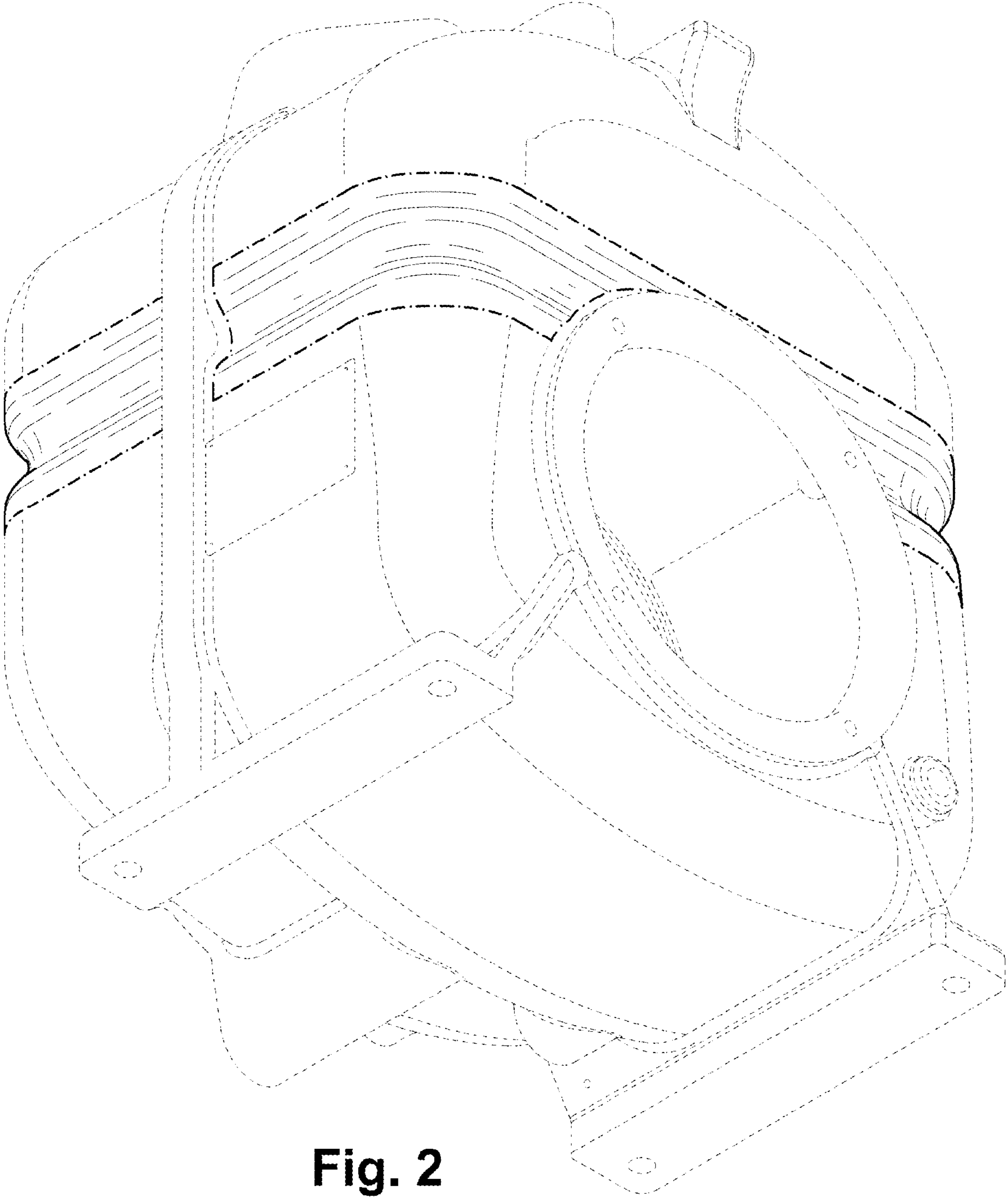


Fig. 2

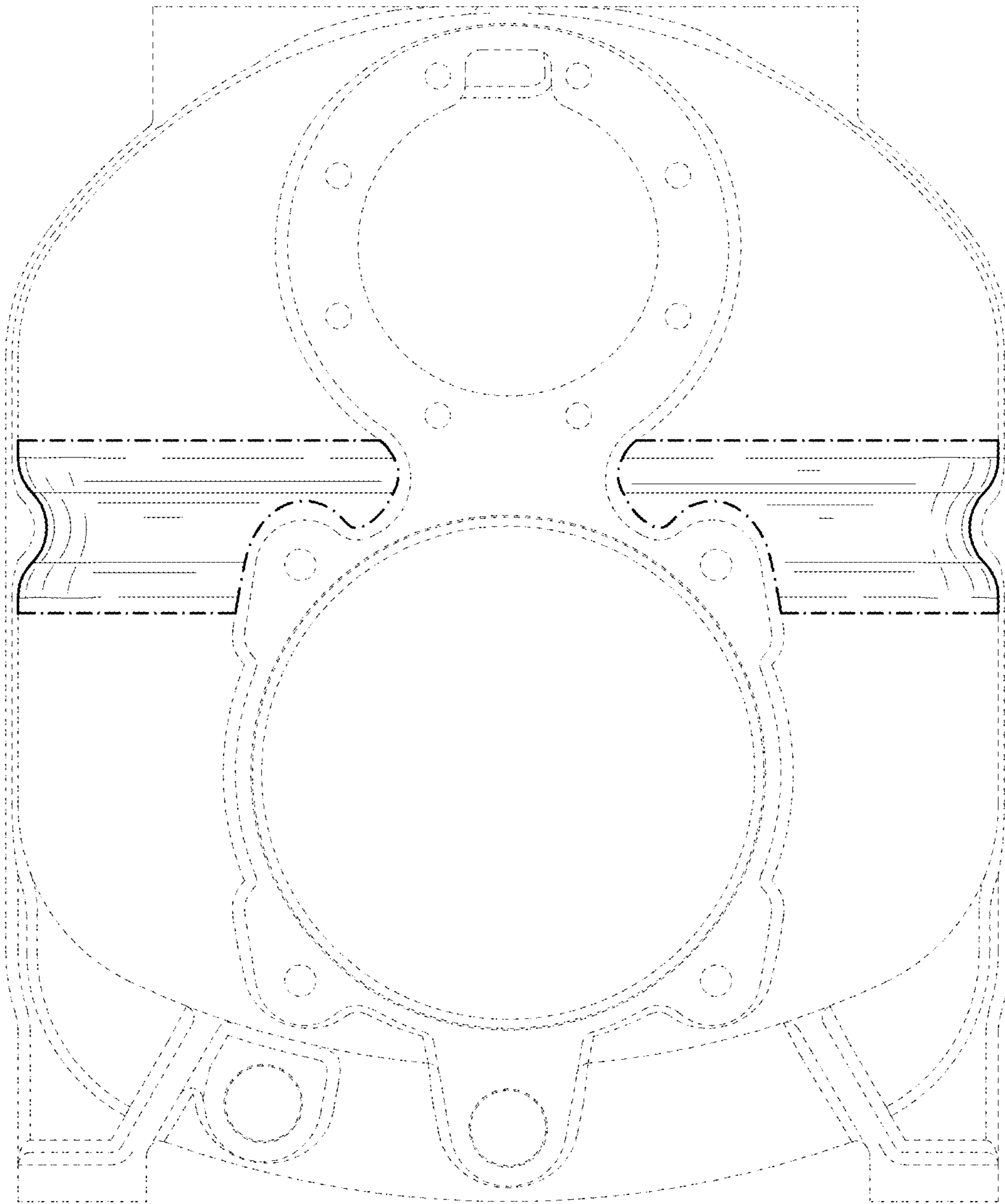


Fig. 3

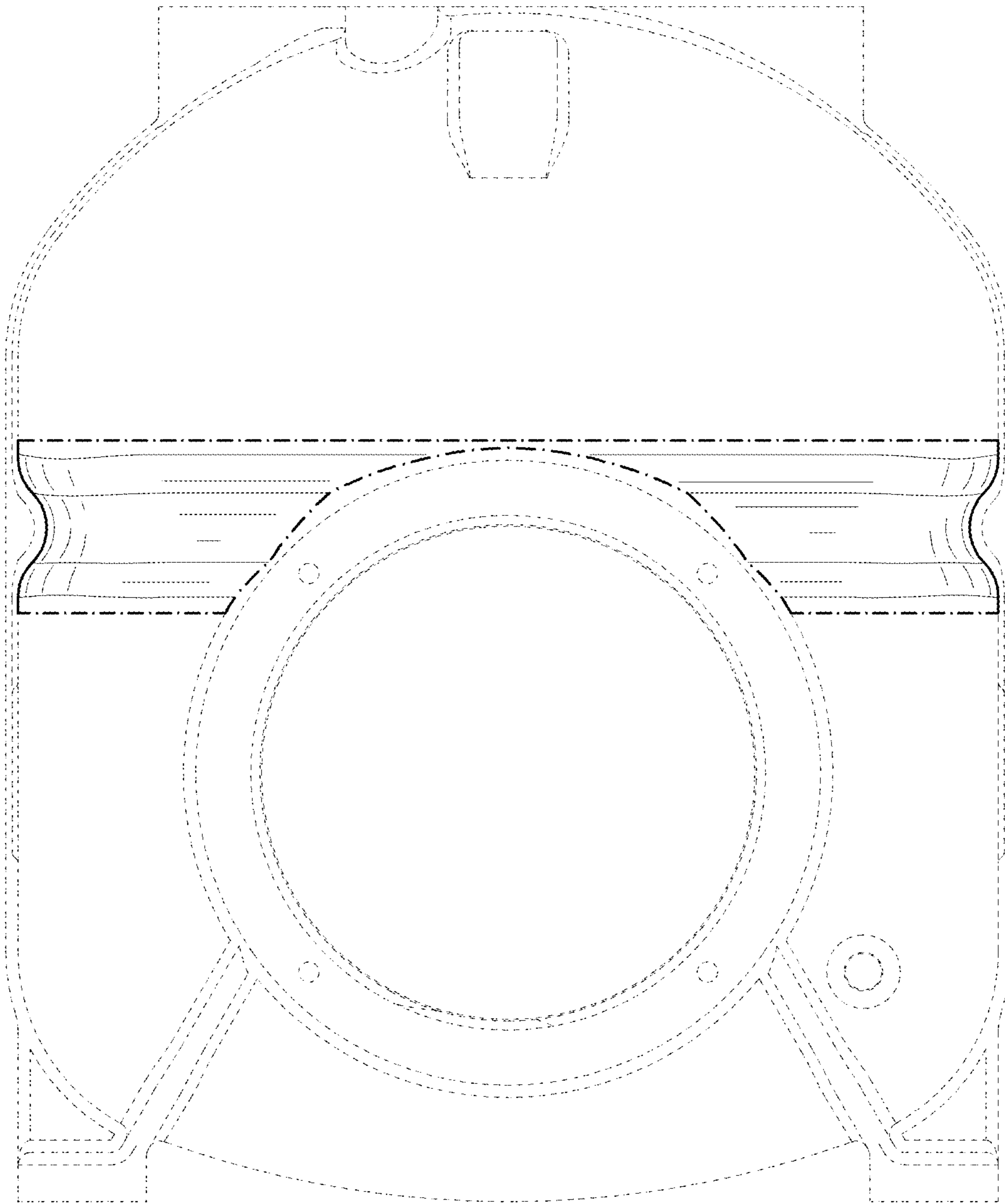


Fig. 4

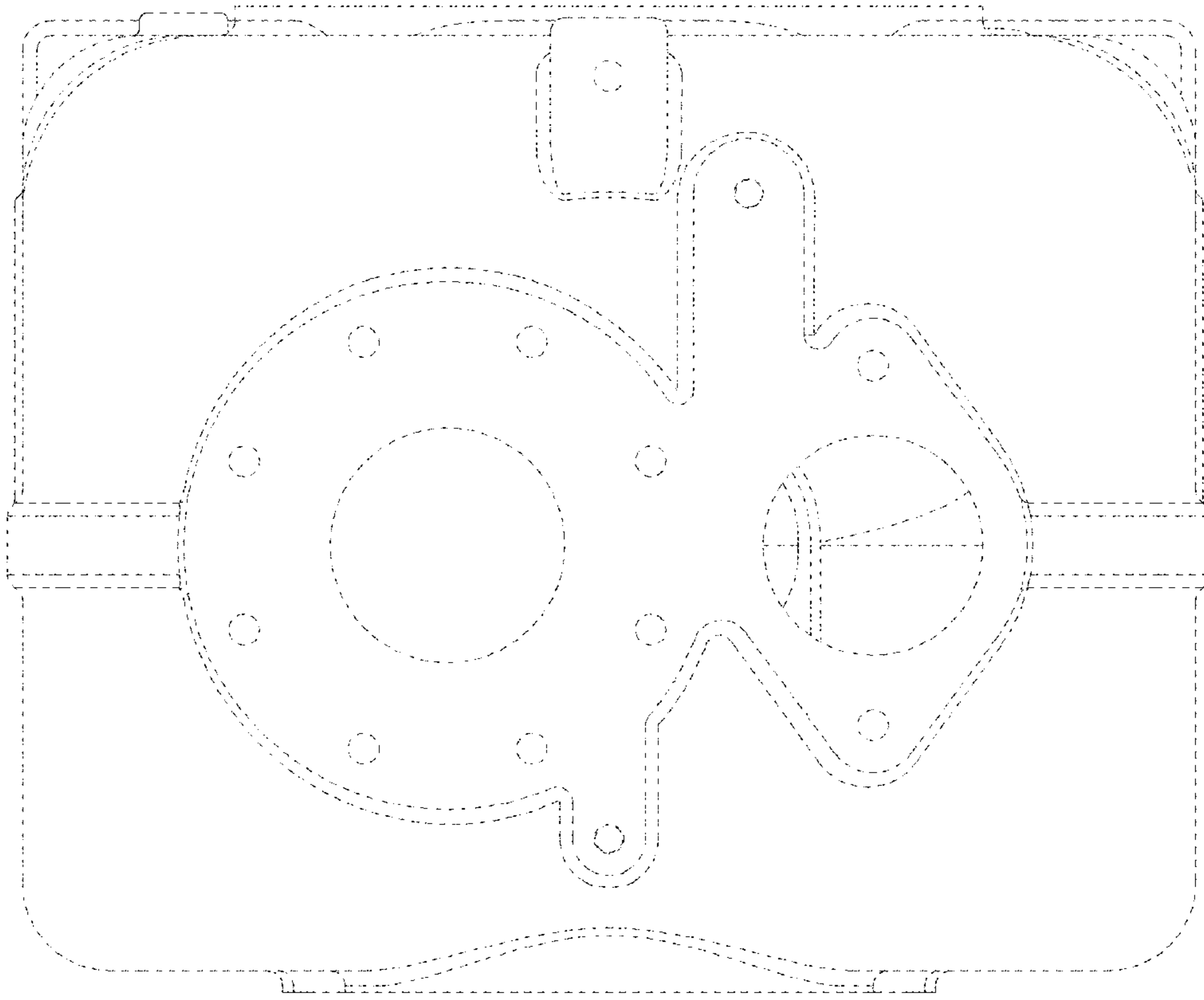


Fig. 5

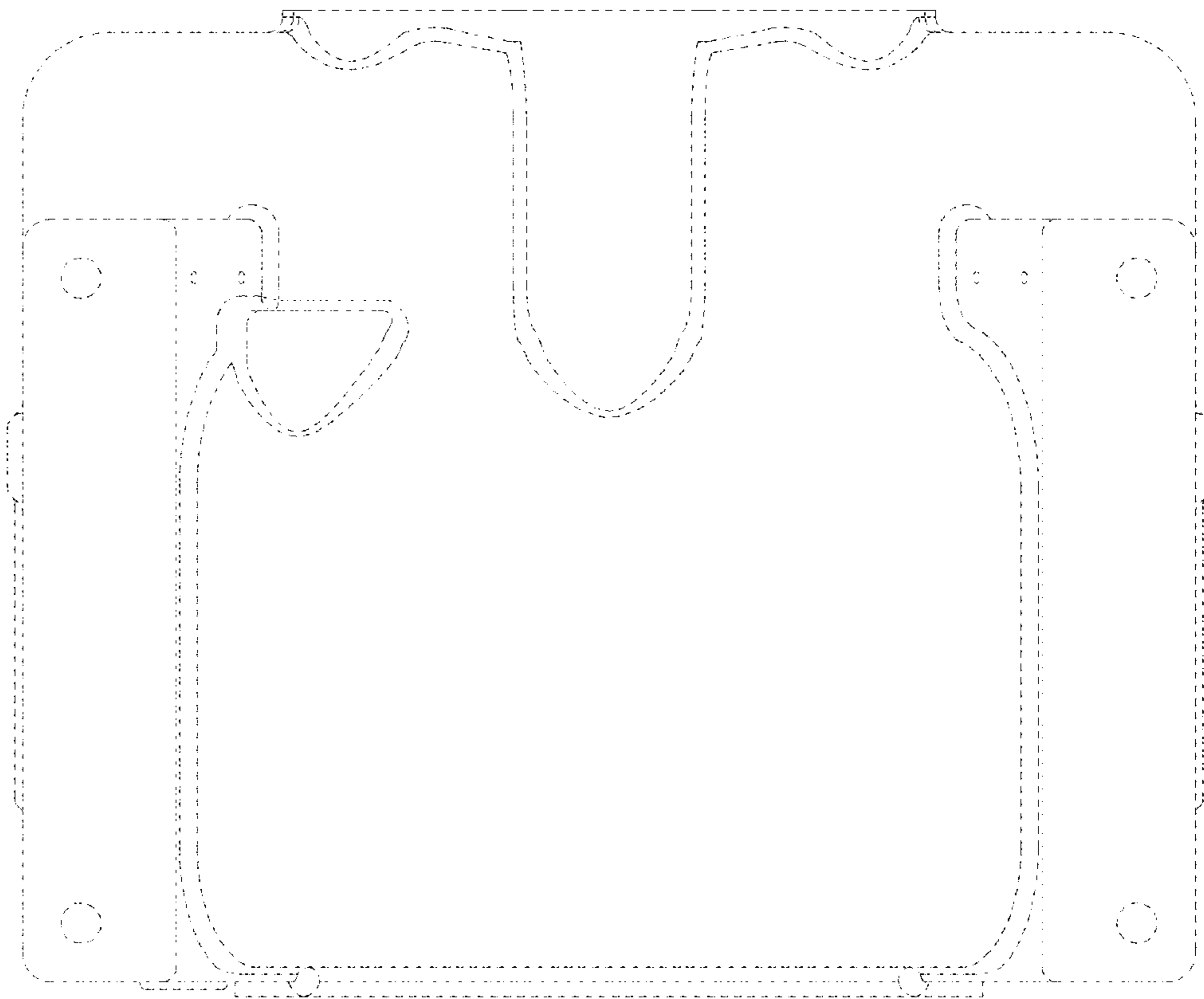


Fig. 6

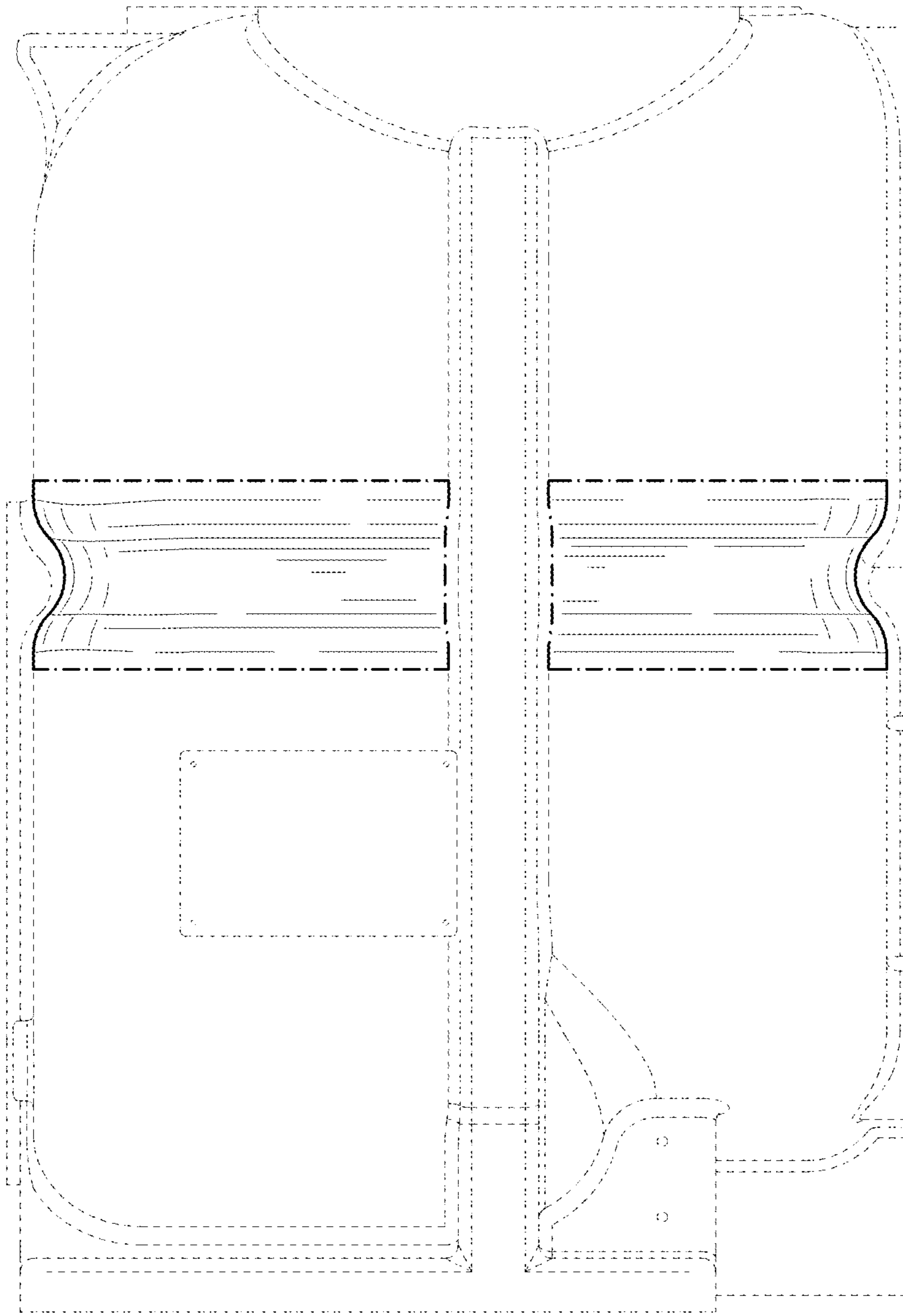


Fig. 7

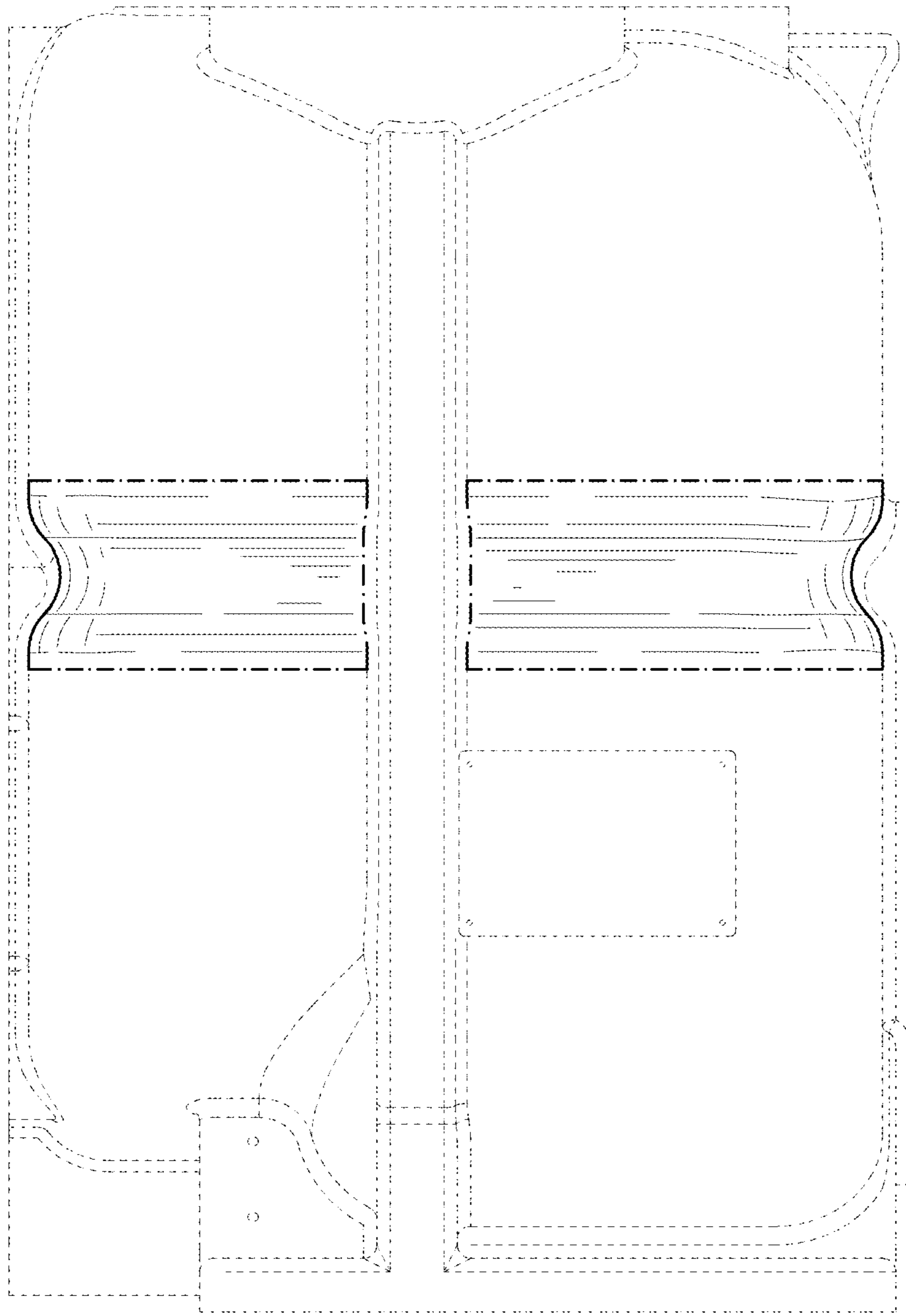


Fig. 8