



US00D925607S

(12) **United States Design Patent** (10) **Patent No.:** **US D925,607 S**  
**Wegner et al.** (45) **Date of Patent:** **\*\* Jul. 20, 2021**

(54) **ENGINE INCORPORATING OVERHEAD VALVE COVER**

(56) **References Cited**

U.S. PATENT DOCUMENTS

(71) Applicant: **Kohler Co.**, Kohler, WI (US)  
(72) Inventors: **Brett Wegner**, Glenbeulah, WI (US);  
**Eric B. Hudak**, Sheboygan, WI (US);  
**Kenneth S. Hanna**, Bellingham, WA (US);  
**Mark J. Huibregtse**, Elkhart Lake, WI (US);  
**David Schultz**, Manitowoc, WI (US);  
**Adam Reich**, Whitelaw, WI (US);  
**Vaibhav Prabhakar Wagh**, Maharashtra (IN)

D97,155 S 10/1935 Chernow  
D97,432 S 11/1935 Chernow  
D97,840 S 12/1935 Chernow  
3,822,487 A 7/1974 Koch  
D379,995 S 6/1997 Gilmore  
D396,045 S 7/1998 Neeley  
D428,074 S 7/2000 Bitton  
D487,700 S 3/2004 Bourque et al.  
D527,022 S 8/2006 Walters

(Continued)

*Primary Examiner* — Mark A Goodwin

(73) Assignee: **Kohler Co.**

(74) *Attorney, Agent, or Firm* — The Belles Group, P.C.

(\*\*) Term: **15 Years**

(57) **CLAIM**

(21) Appl. No.: **29/781,137**

The ornamental design for an engine incorporating overhead valve cover, as shown and described.

(22) Filed: **Apr. 28, 2021**

**DESCRIPTION**

**Related U.S. Application Data**

(62) Division of application No. 29/766,206, filed on Jan. 14, 2021, which is a division of application No. 29/640,404, filed on Mar. 14, 2018, now Pat. No. Des. 912,094.

(51) **LOC (13) Cl.** ..... **15-01**

(52) **U.S. Cl.**  
USPC ..... **D15/5**

(58) **Field of Classification Search**  
USPC ..... D15/1-6, 14, 9.1, 12, 17, 28, 149;  
123/22.41, 34, 51 A, 606 R, 52.1, 50 A,  
123/50 B, 54.1, 54.2, 54.4, 54.5, 65 R,  
123/195 R, 195 HC, 657, 311; D18/24,  
D18/30  
CPC ..... F02B 2075/027; F02B 2075/1816; F02B  
2075/025; F02B 2075/1808; F02B 75/20;  
F02B 75/22; F02B 2275/18; F02B  
2275/20; F02B 77/13; F02B 77/00; F02B  
63/04

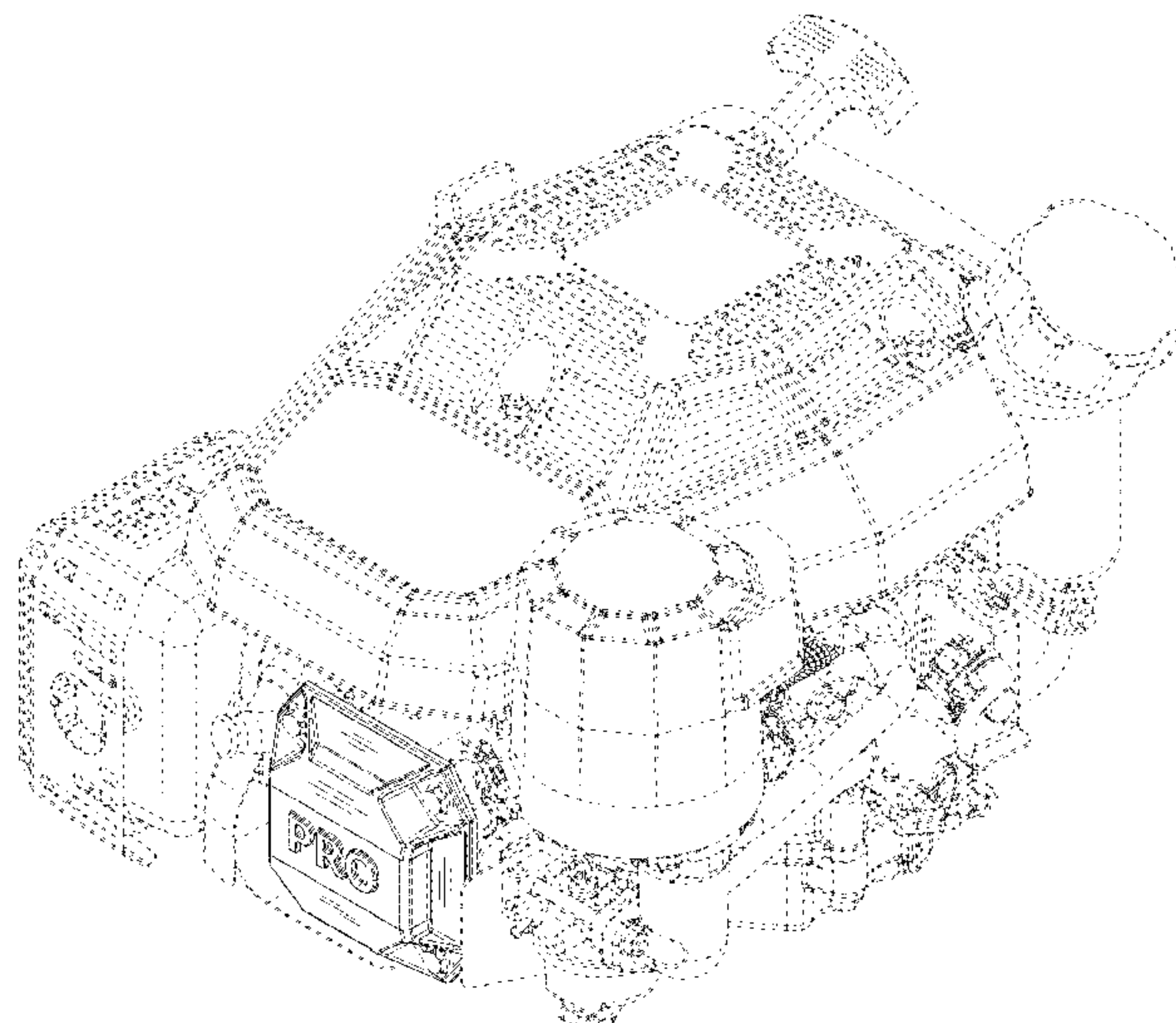
FIG. 1 is a front-right top perspective view of an engine incorporating overhead valve cover according to the new design;

FIG. 2 is a front-left top perspective view thereof;  
FIG. 3 is a rear-left top perspective view thereof;  
FIG. 4 is a rear-right top perspective view thereof;  
FIG. 5 is a front-right bottom perspective view thereof;  
FIG. 6 is a front-left bottom perspective view thereof;  
FIG. 7 is a rear-left bottom perspective view thereof;  
FIG. 8 is a rear-right bottom perspective view thereof;  
FIG. 9 is a front plan view thereof;  
FIG. 10 is a rear plan view thereof;  
FIG. 11 is a right-side plan view thereof;  
FIG. 12 is a left-side plan view thereof;  
FIG. 13 is a top plan view thereof; and,  
FIG. 14 is a bottom plan view thereof.

The dashed lines of equal length in FIGS. 1-14 are for environmental purposes only and form no part of the claimed design.

See application file for complete search history.

**1 Claim, 14 Drawing Sheets**



(56)

**References Cited**

## U.S. PATENT DOCUMENTS

D594,878 S	6/2009	Post et al.
7,594,484 B2	9/2009	Lavender et al.
D615,557 S	5/2010	Mayer et al.
D655,310 S	3/2012	Tieenthaler et al.
D665,426 S	8/2012	Tieenthaler et al.
D667,464 S	9/2012	Tieenthaler
D687,709 S	8/2013	Taylor
D692,049 S	10/2013	Masamoto
8,746,485 B1	6/2014	Tieenthaler
D721,423 S	1/2015	Jacques et al.
D733,186 S	6/2015	Bink et al.
D733,187 S	6/2015	Bink et al.
D733,762 S	7/2015	Bink et al.
D735,762 S	8/2015	Andren et al.
D735,763 S	8/2015	Andren et al.
D735,764 S	8/2015	Andren et al.
D735,765 S	8/2015	Andren et al.
D735,767 S	8/2015	Andren et al.
D735,768 S	8/2015	Andren et al.
D736,264 S	8/2015	Andren et al.
D742,922 S	11/2015	Andren et al.
D742,923 S	11/2015	Andren et al.
D742,924 S	11/2015	Andren et al.
D784,413 S	4/2017	Thorn et al.
D787,558 S	5/2017	Thorn et al.
D795,298 S	8/2017	Hanna et al.
2006/0124644 A1	6/2006	Dehn
2010/0089919 A1	4/2010	Dunkle et al.

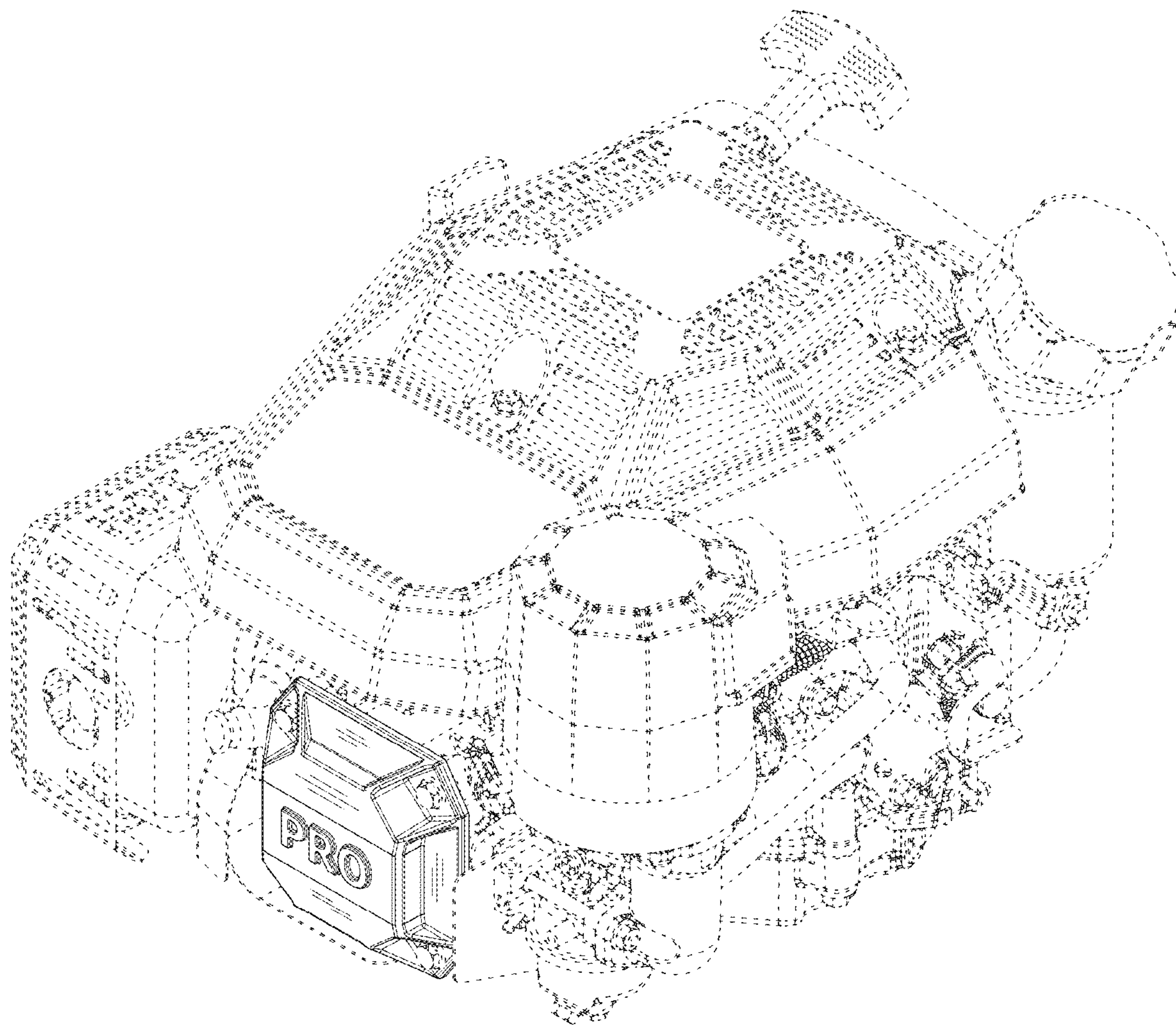


FIG. 1



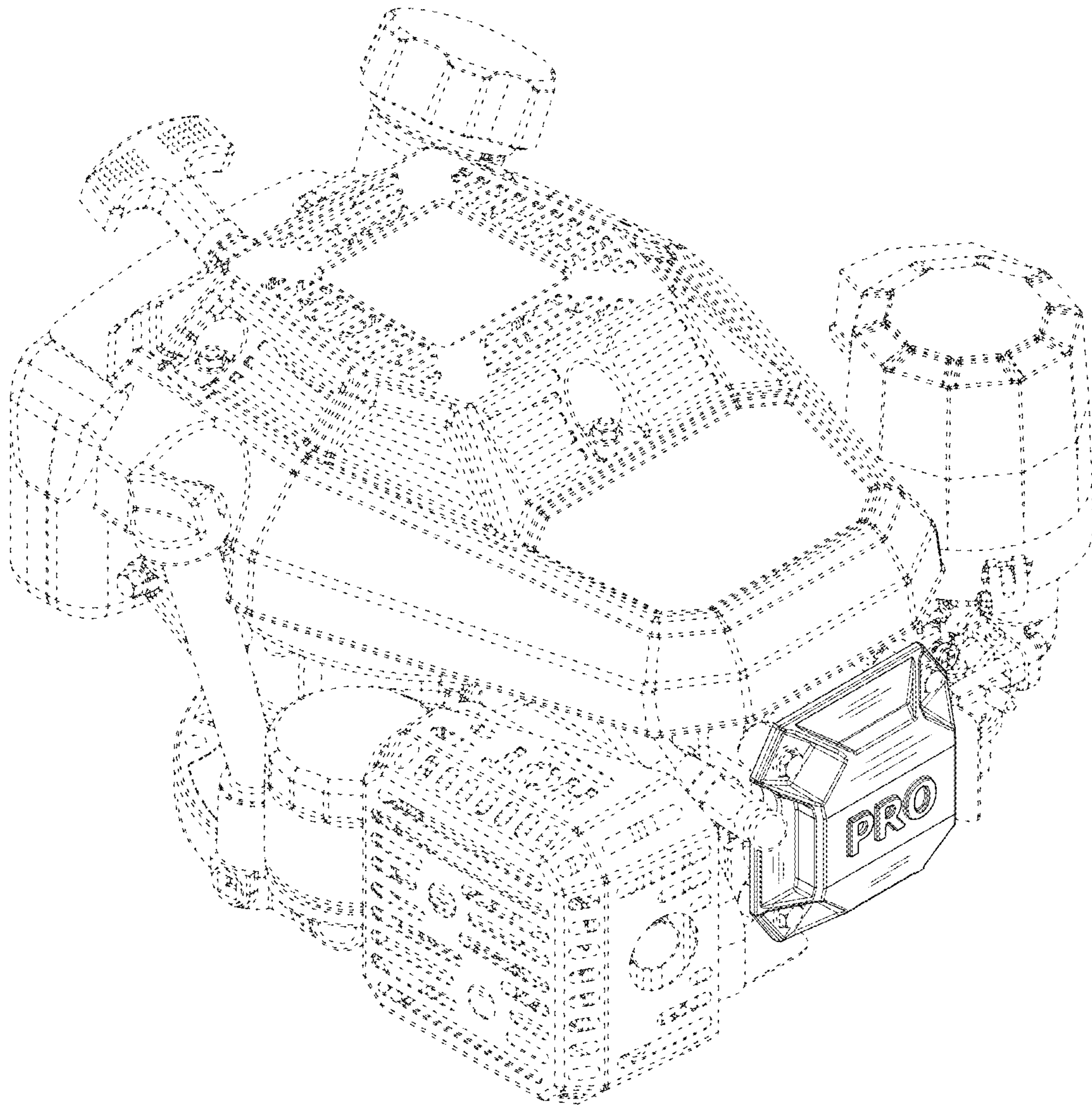


FIG. 2

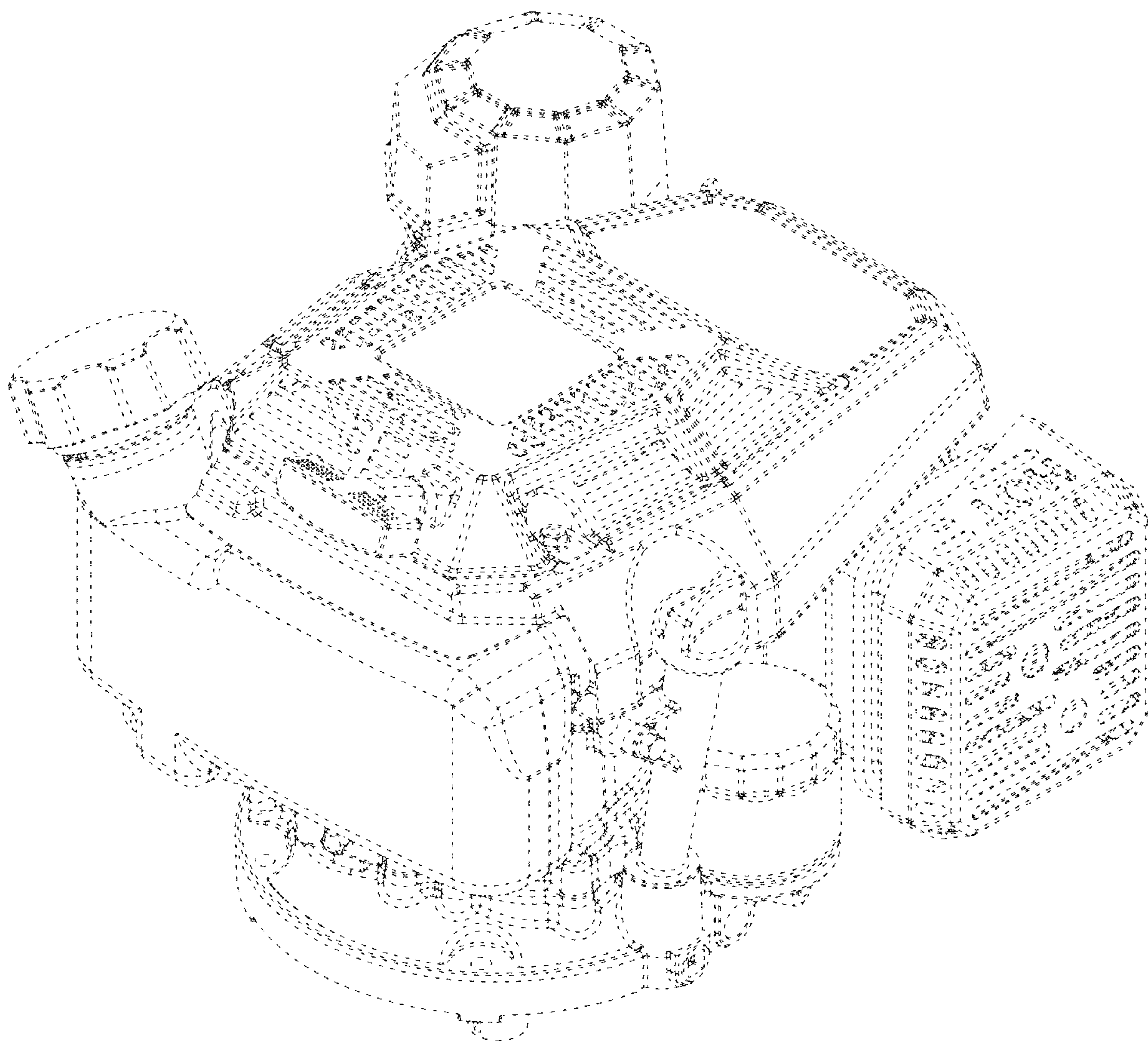


FIG. 3

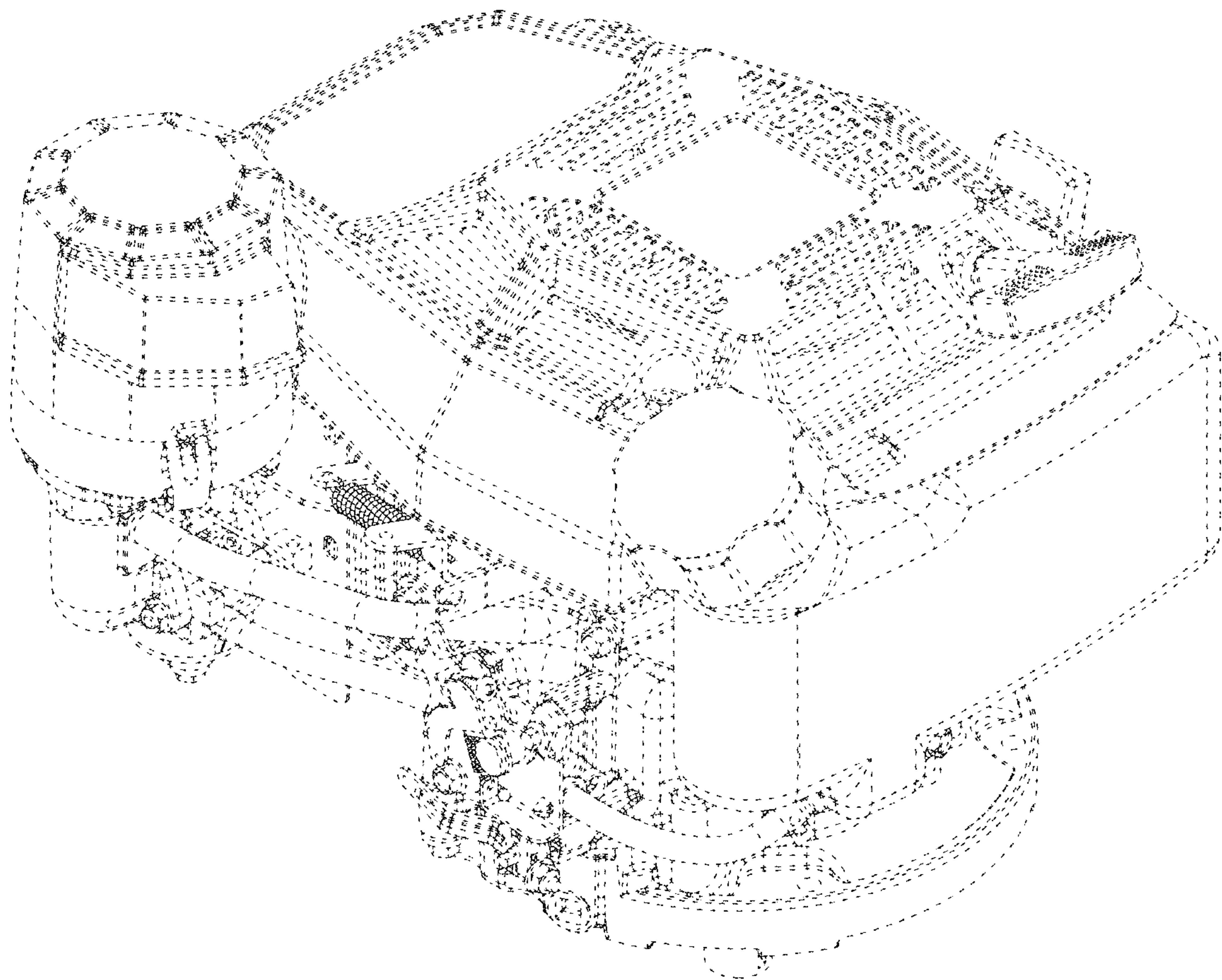


FIG. 4



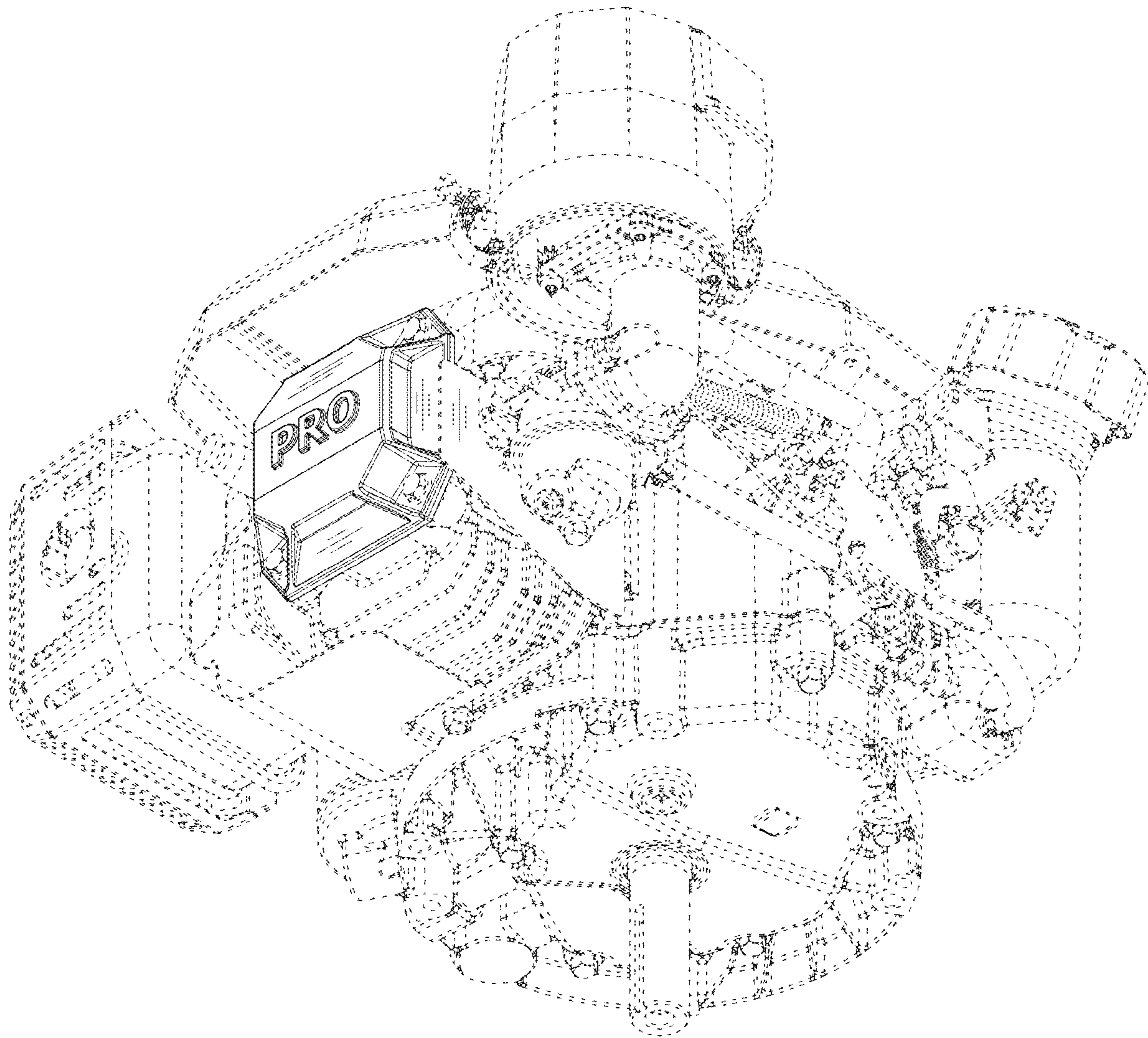


FIG. 5

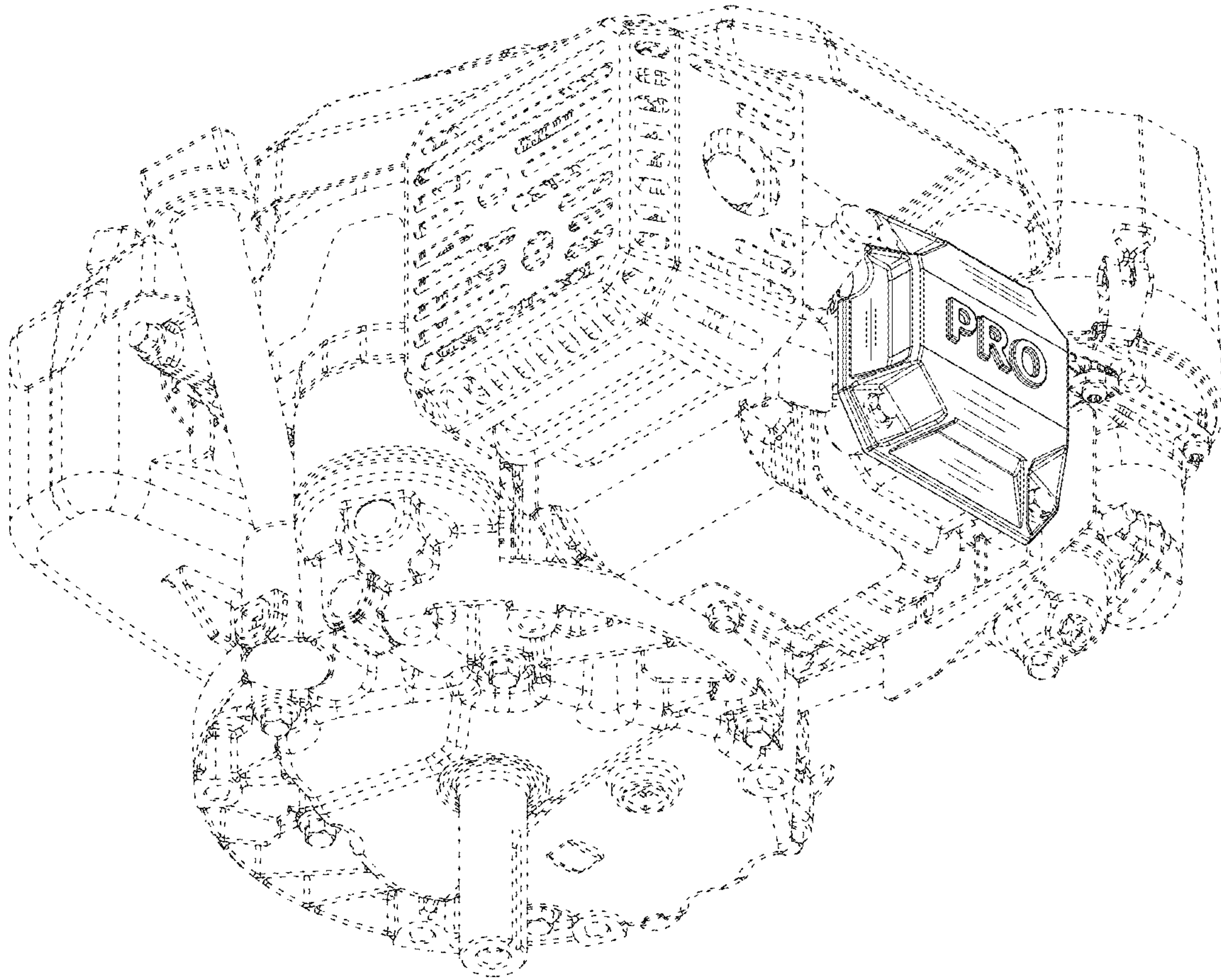


FIG. 6



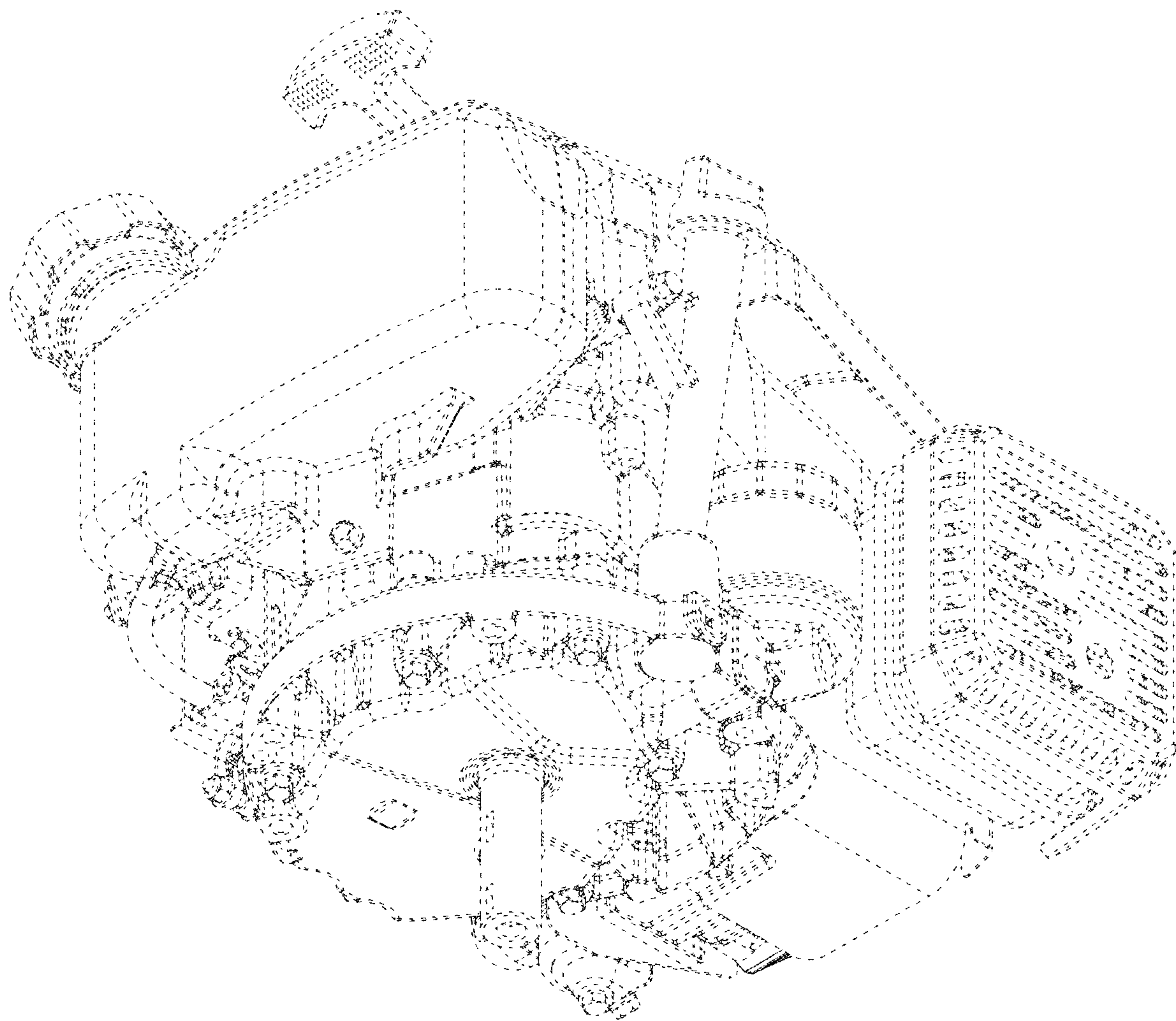


FIG. 7

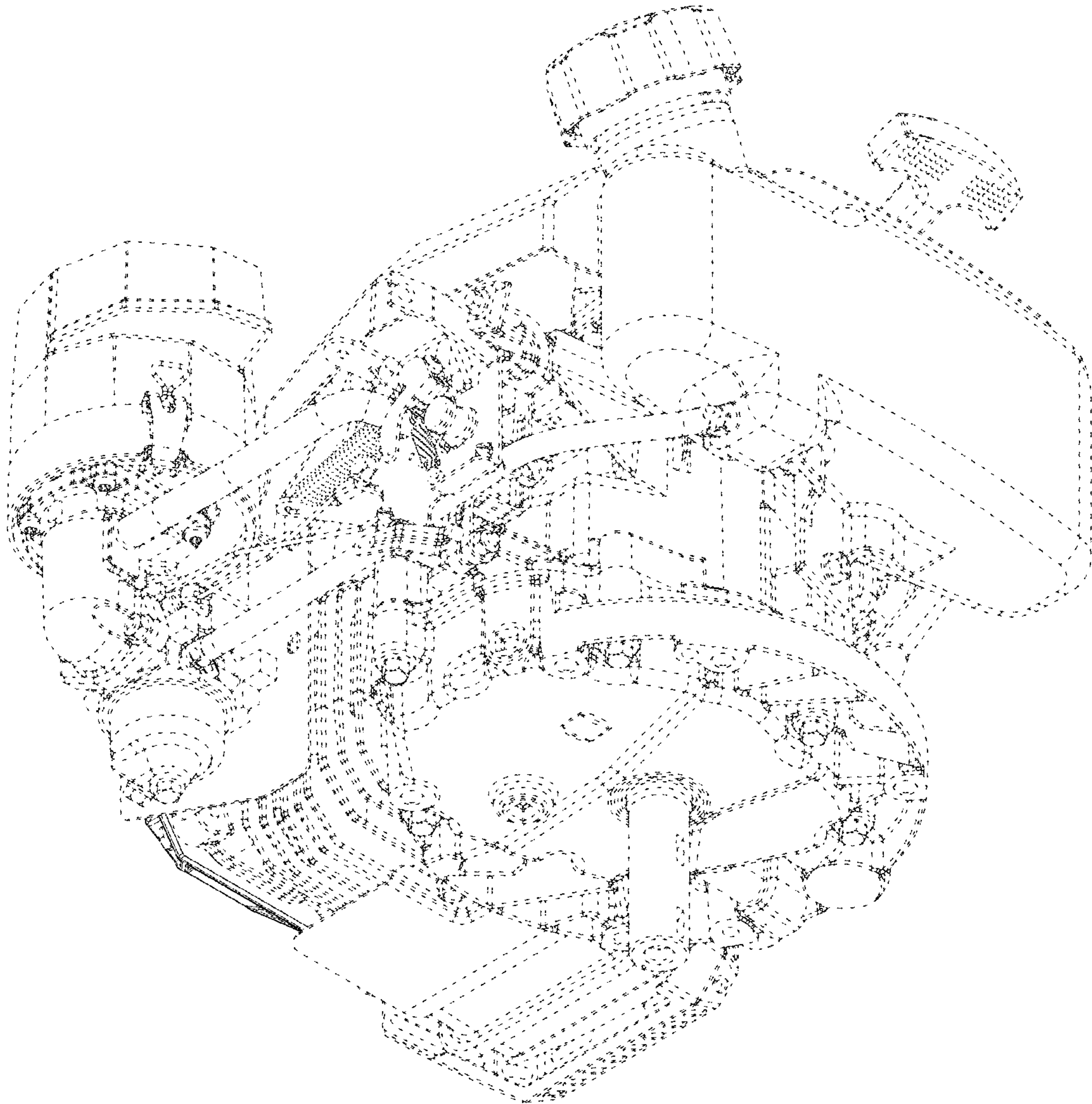


FIG. 8

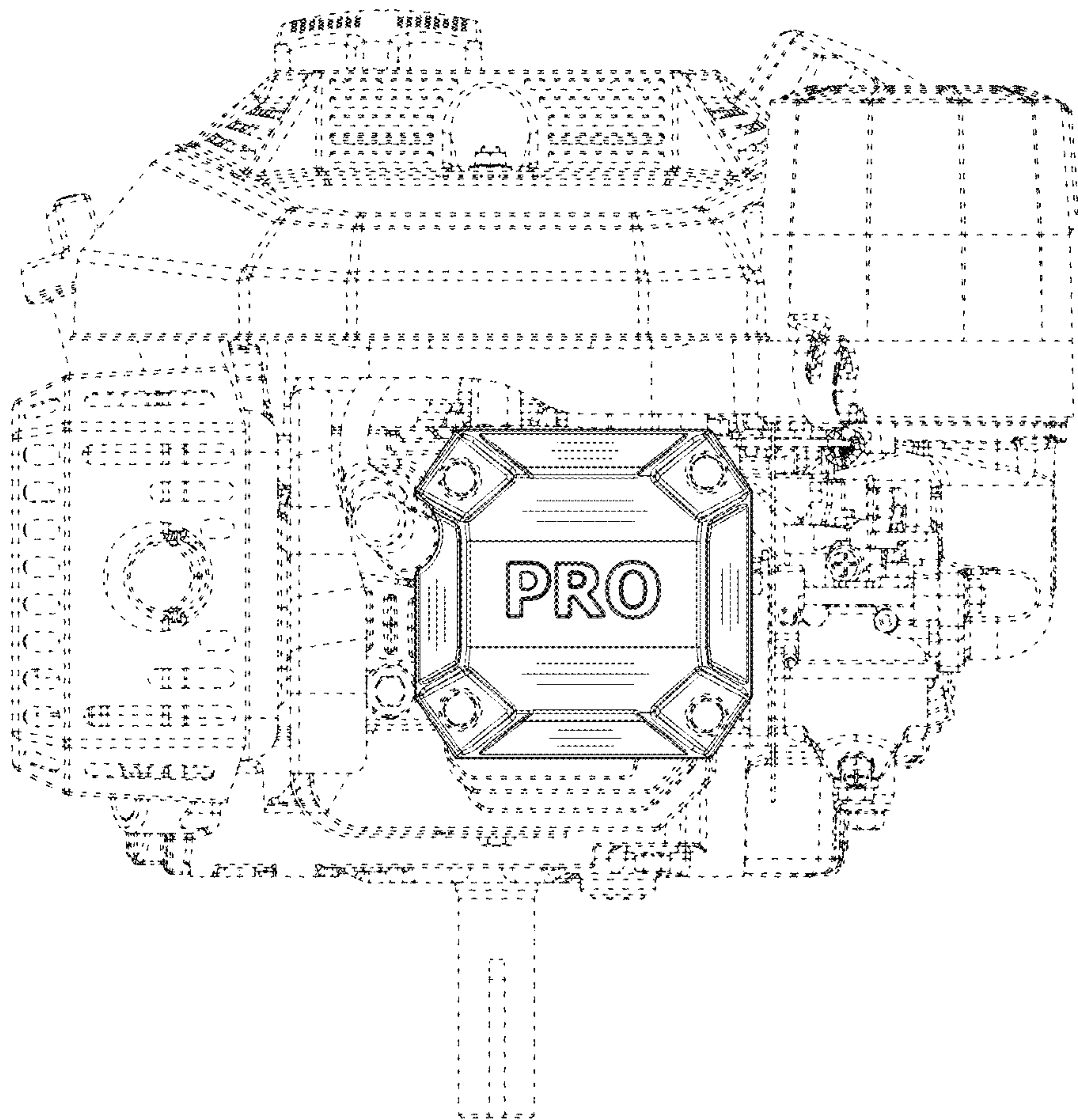


FIG. 9



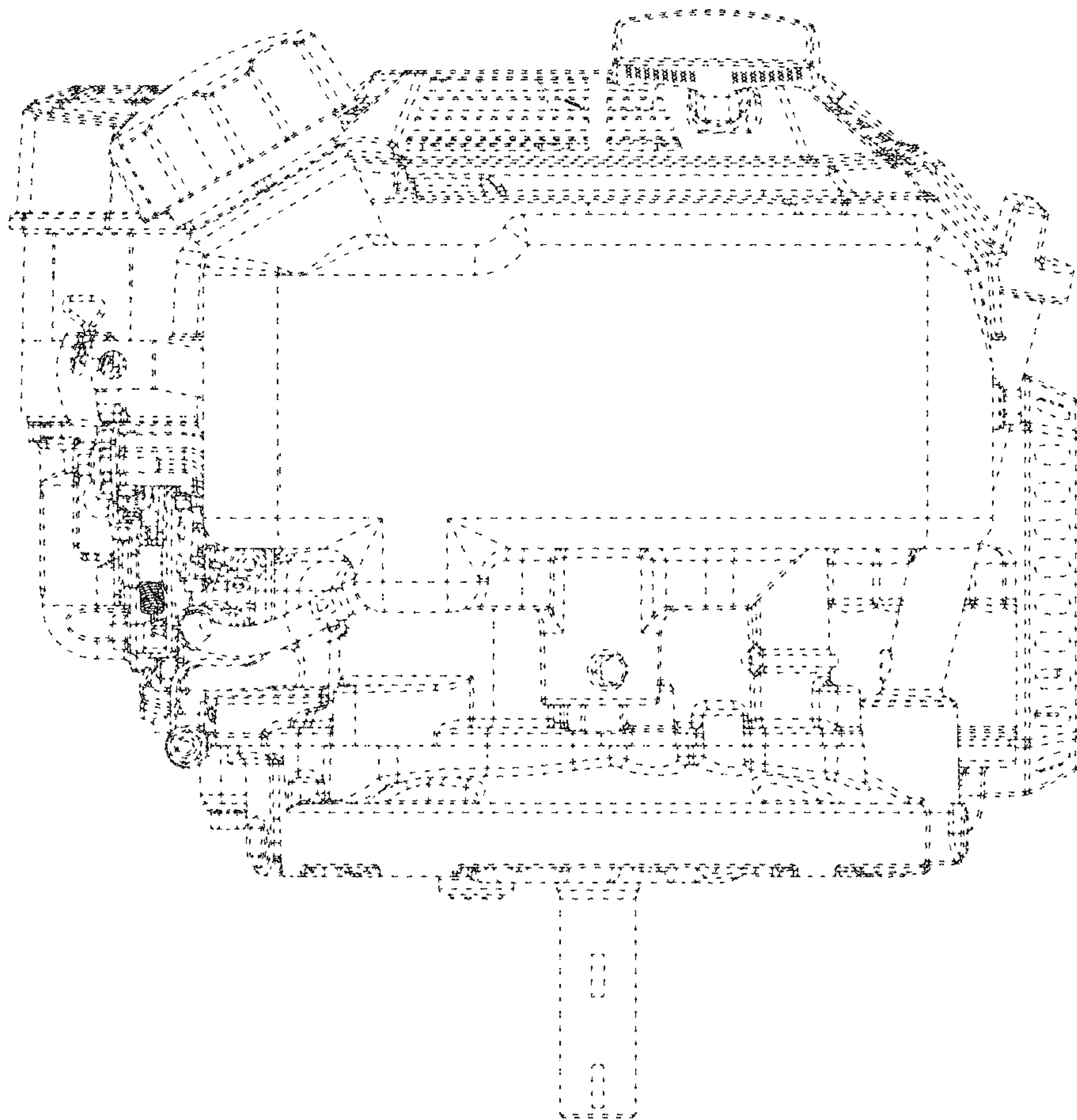


FIG. 10

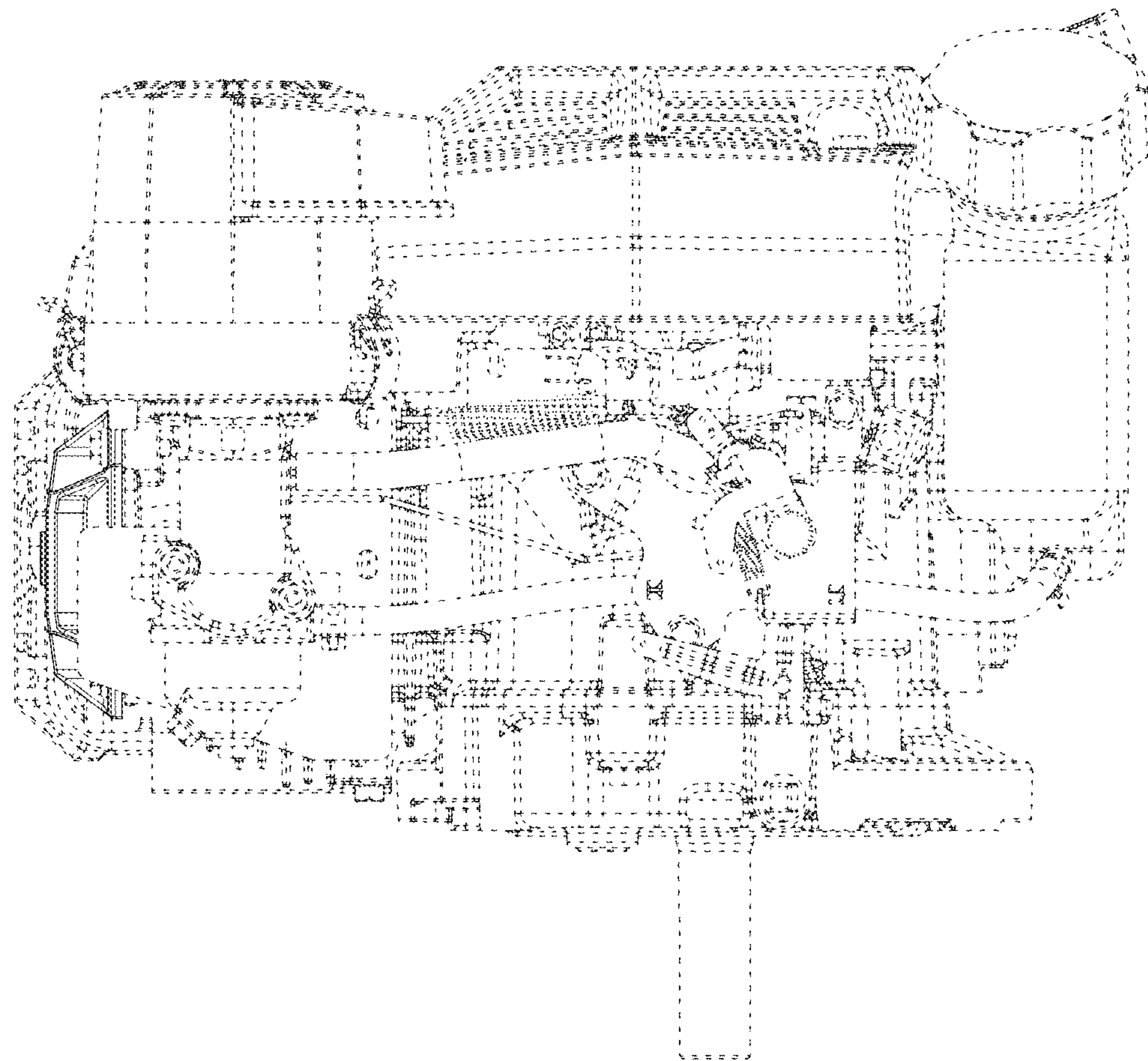


FIG. 11

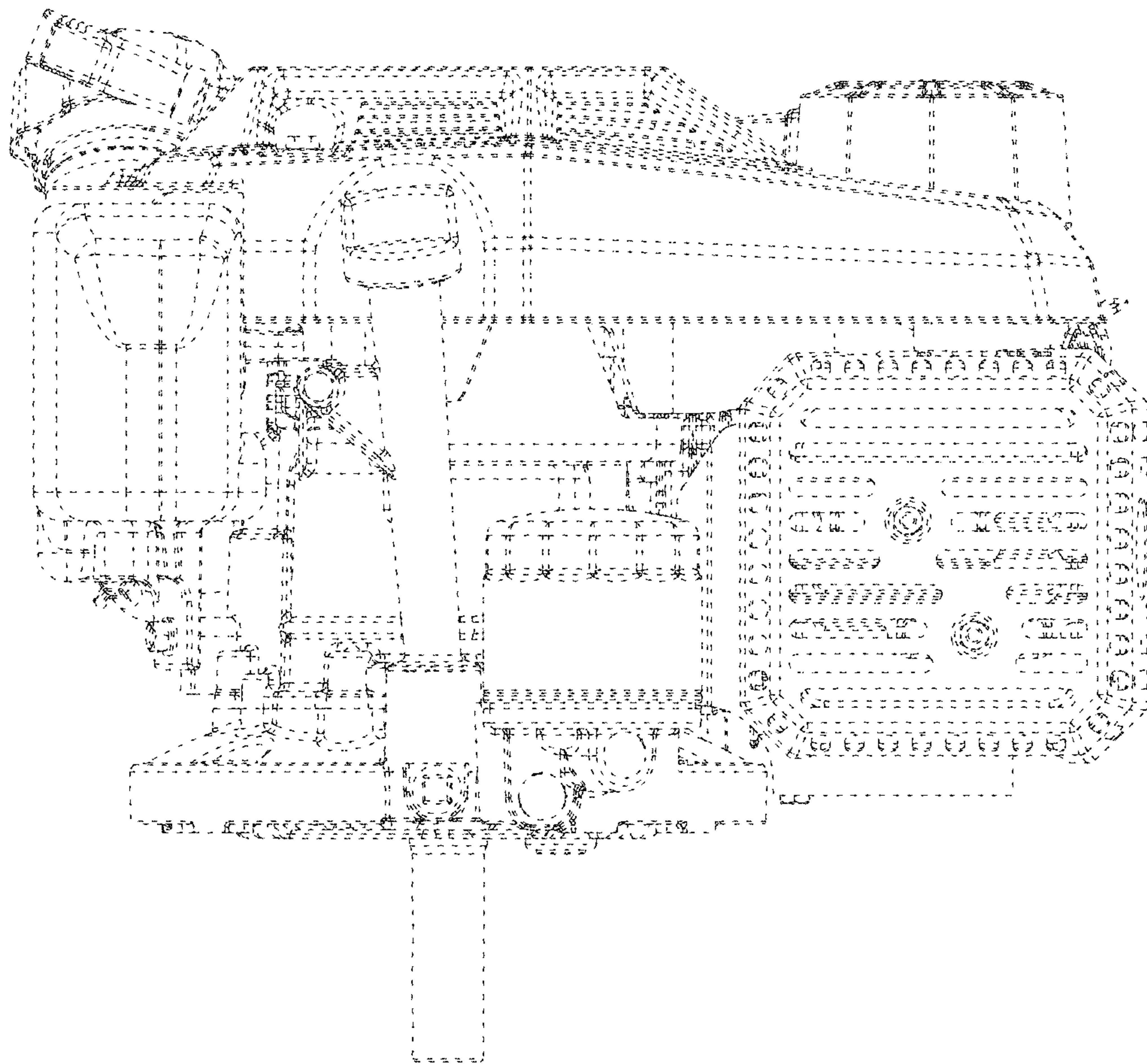


FIG. 12



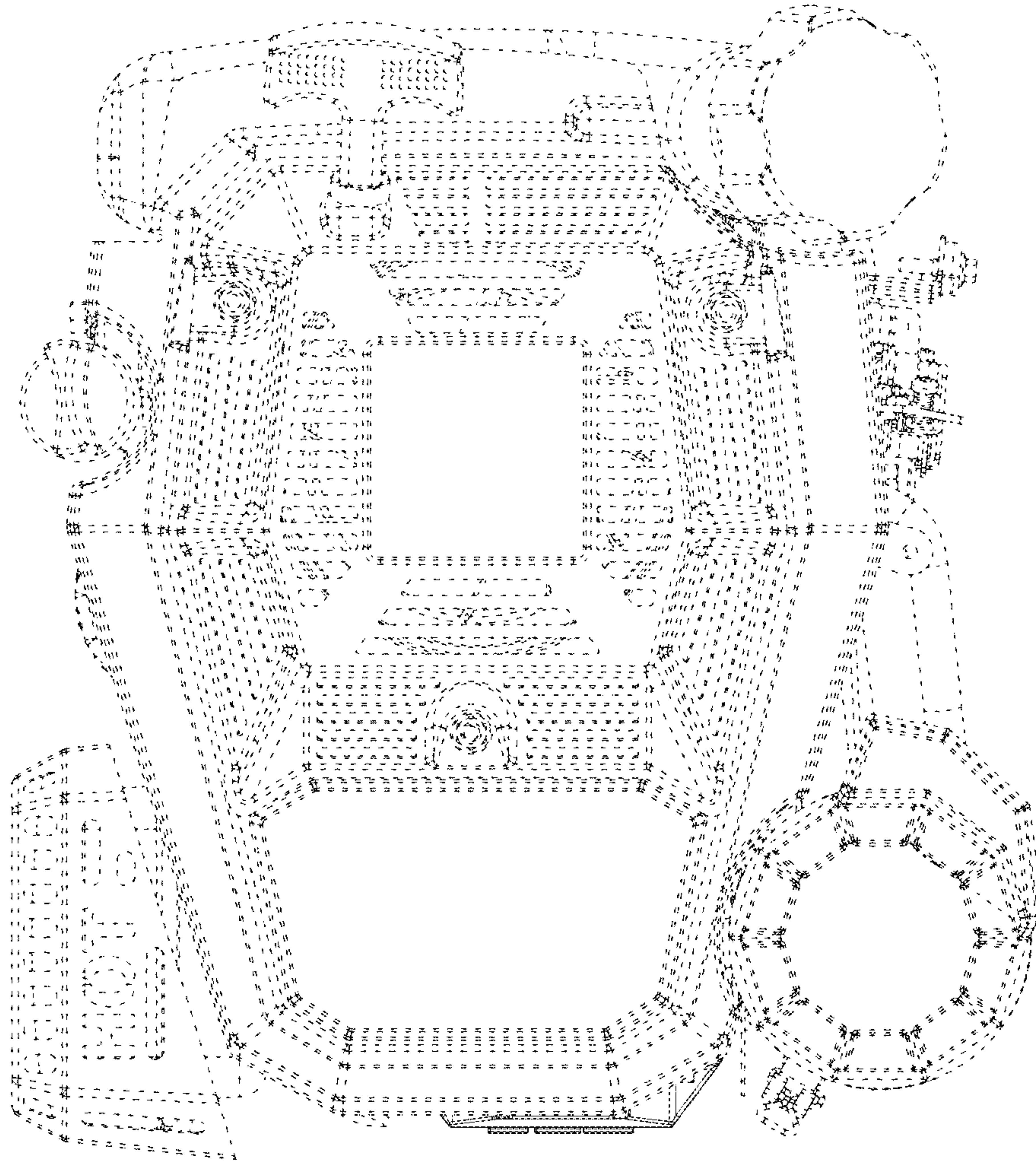


FIG. 13

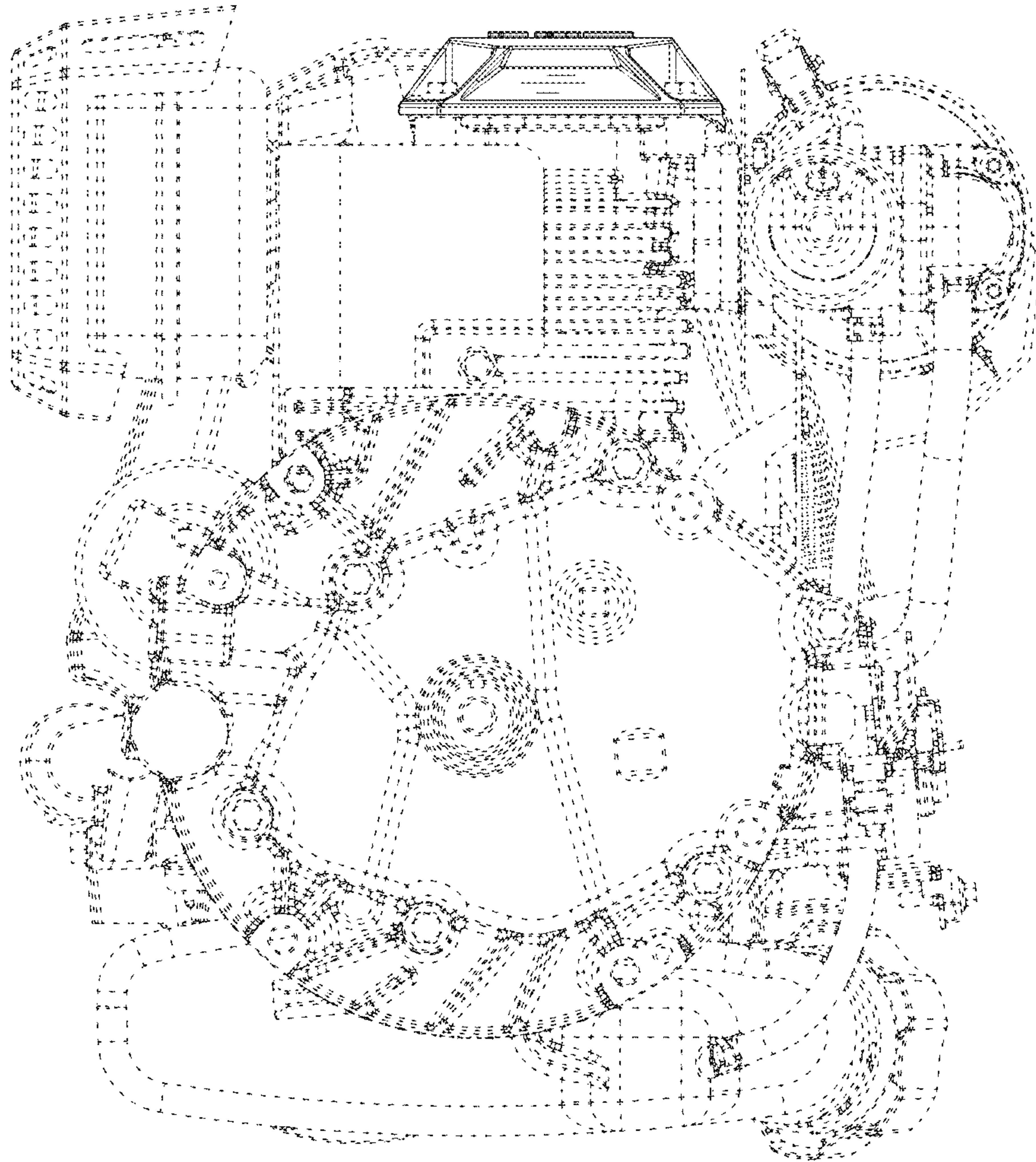


FIG. 14