



US00D925606S

(12) **United States Design Patent** (10) **Patent No.:** **US D925,606 S**
Shehan et al. (45) **Date of Patent:** **** Jul. 20, 2021**

(54) **EFI THROTTLE BODY**

FOREIGN PATENT DOCUMENTS

(71) Applicant: **Holley Performance Products, Inc.**,
Bowling Green, KY (US)

AU 339157 10/2011
AU 341133 2/2012

(Continued)

(72) Inventors: **Laura Shehan**, Bowling Green, KY
(US); **Amy Gieske**, Loogootee, IN
(US); **Jonathan Sams**, Woodburn, KY
(US); **Adam Layman**, Alvaton, KY
(US); **Thomas W. Tomlinson**, Bowling
Green, KY (US)

OTHER PUBLICATIONS

Two-Barrel Fuel INjection Systems, posted on summitracing.com,
Earliest reviewed on Mar. 5, 2018, no production date given,
[online]. [site visited Mar. 1, 2020], Available from Internet, URL:
[https://www.summitracing.com/parts/sne-550-849k?seid=srese1
&gclid=CjwKCAiA-
vLyBRBWEiwAzOkGVMWU7u1iKHcPBsiPrRn](https://www.summitracing.com/parts/sne-550-849k?seid=srese1&gclid=CjwKCAiA-vLyBRBWEiwAzOkGVMWU7u1iKHcPBsiPrRn) (Year: 2018).*

(Continued)

(73) Assignee: **Holley Performance Products, Inc.**,
Bowling Green, KY (US)

(**) Term: **15 Years**

Primary Examiner — Michael C Stout

Assistant Examiner — Fritzgerald L Butac

(21) Appl. No.: **29/695,154**

(74) *Attorney, Agent, or Firm* — Middleton Reutlinger

(22) Filed: **Jun. 17, 2019**

Related U.S. Application Data

(63) Continuation of application No. 29/628,394, filed on
Dec. 4, 2017, now Pat. No. Des. 877,201.

(51) **LOC (13) Cl.** **15-01**

(52) **U.S. Cl.**
USPC **D15/5**

(58) **Field of Classification Search**
USPC D15/1-7, 9, 9.1, 9.2; D23/224, 229, 233,
D23/235
CPC F02D 9/105; F02D 9/1035; F02M 51/005;
F02M 63/0056; F02M 63/02; F02M
69/043

See application file for complete search history.

(56) **References Cited**

U.S. PATENT DOCUMENTS

4,224,908 A 9/1980 Bier et al.
4,230,645 A 10/1980 Dodson

(Continued)

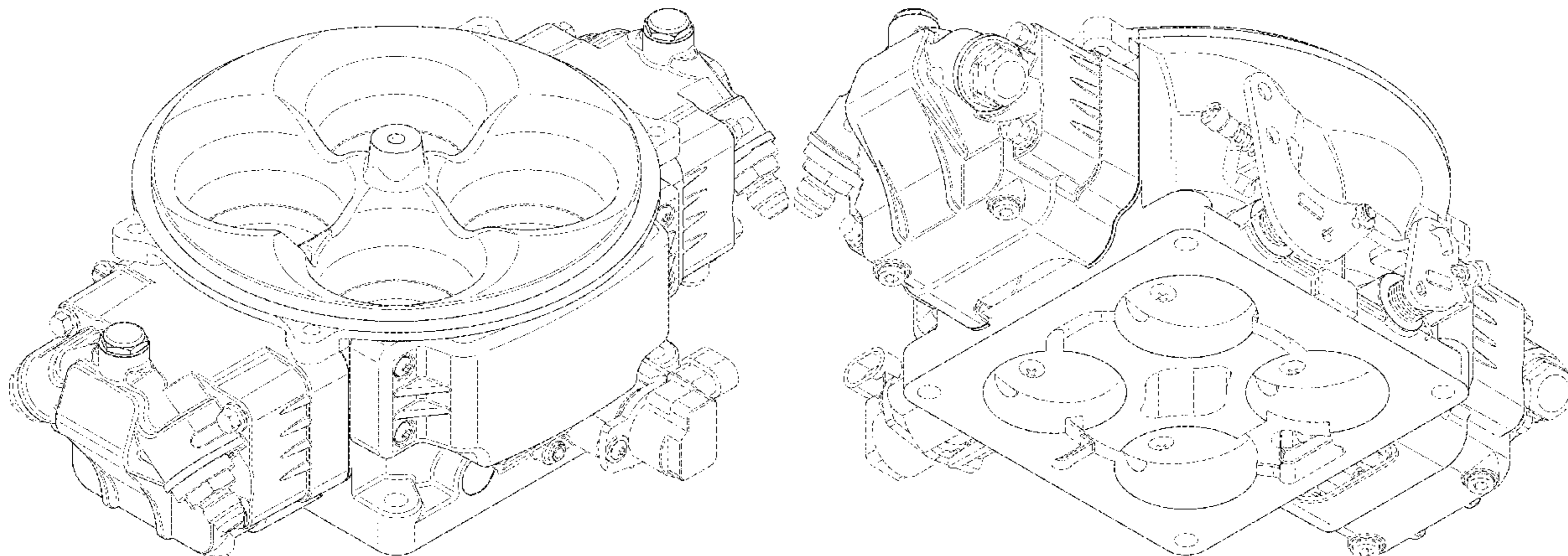
(57) **CLAIM**

The ornamental design for an EFI throttle body, as shown
and described.

DESCRIPTION

FIG. 1 is an upper perspective view of an EFI throttle body
design;
FIG. 2 is a top view of the design of FIG. 1;
FIG. 3 is a bottom view of the design of FIG. 1;
FIG. 4 is a first side view of the design of FIG. 1;
FIG. 5 is a second side view of the design of FIG. 1;
FIG. 6 is a rear view of the design of FIG. 1;
FIG. 7 is a front view of the design of FIG. 1; and,
FIG. 8 is a lower perspective view of the design of FIG. 1.
The broken lines show portions of an EFI throttle body that
form no part of the claimed design.
The “dash-dot” broken lines are for the purpose of showing
the bounds of the claimed design, and form no part thereof.

1 Claim, 8 Drawing Sheets



(56)

References Cited

OTHER PUBLICATIONS

U.S. PATENT DOCUMENTS

4,246,875 A 1/1981 Bier et al.
 4,294,282 A 10/1981 McCabe et al.
 4,306,441 A 12/1981 Dodson
 4,318,214 A 3/1982 Dodson
 4,325,339 A 4/1982 Bier et al.
 4,357,283 A 11/1982 Manning
 4,434,762 A 3/1984 McCabe
 4,434,763 A 3/1984 McCabe et al.
 4,949,983 A 8/1990 Miller
 5,809,972 A 9/1998 Grant
 D447,147 S 8/2001 Grant
 D456,421 S * 4/2002 Braswell D15/6
 D456,818 S * 5/2002 Braswell D15/6
 D457,168 S * 5/2002 Braswell D15/6
 6,481,698 B1 11/2002 Calvin et al.
 D508,496 S 8/2005 Grant
 D517,423 S * 3/2006 Jeschke D7/539
 D578,550 S 10/2008 Benoit
 7,533,661 B2 5/2009 Baasch
 7,591,245 B2 9/2009 Baasch et al.
 D619,621 S 7/2010 Braswell
 D619,622 S 7/2010 Braswell
 D619,623 S 7/2010 Braswell
 D648,746 S 11/2011 Tipton et al.
 D649,978 S 12/2011 Aketa
 D649,979 S * 12/2011 Gieske D15/6
 D655,311 S 3/2012 Gieske et al.
 D659,714 S 5/2012 Gieske et al.
 D721,389 S 1/2015 Gieske et al.
 D737,352 S 8/2015 May
 D748,149 S * 1/2016 Laws D15/6
 D748,966 S 2/2016 Morinaga
 9,303,578 B2 4/2016 Wittkopf et al.
 9,376,997 B1 6/2016 Farrell et al.
 D760,804 S 7/2016 Shehan et al.
 9,482,198 B1 11/2016 Farrell et al.
 9,845,740 B2 12/2017 Wittkopf et al.
 D808,435 S 1/2018 Shehan
 D810,142 S 2/2018 Shehan et al.
 D823,286 S 7/2018 Kanter
 10,012,197 B2 7/2018 Flynn
 D826,280 S 8/2018 Koo et al.
 D829,082 S 9/2018 O'Brien
 D877,201 S 3/2020 Shehan
 2008/0230034 A1 9/2008 Dunn
 2009/0013955 A1 1/2009 Sheridan et al.
 2009/0145406 A1 6/2009 Farrell
 2013/0054121 A1 2/2013 Casoni et al.
 2013/0298871 A1 11/2013 Bennett et al.
 2017/0198672 A1 7/2017 Farrell et al.
 2018/0119656 A1 5/2018 Shehan et al.
 2019/0170069 A1 * 6/2019 Shehan F02M 69/042
 2019/0170070 A1 * 6/2019 Shehan F02M 69/043

FOREIGN PATENT DOCUMENTS

AU 348732 5/2013
 AU 348733 5/2013
 AU 348734 5/2013
 AU 356762 8/2014
 AU 201710470 2/2017
 AU 201710471 2/2017
 AU 201813353 8/2018
 AU 201813355 8/2018
 AU 201815036 9/2018
 AU 201816623 12/2018
 AU 201816624 12/2018
 CN 101568711 4/2013
 EM 00303729599 1/2017

Australian Divisional Design Patent Application No. 201815036 entitled "EFI Throttle Body" filed Aug. 23, 2018.
 Holley Performance Products, Inc., 2017 New & Hot Products Catalogue—Carburetors, Nov. 1, 2016.
 U.S. Appl. No. 62/594,526 entitled "Electronic Fuel Injection Throttle Body Assembly" filed Dec. 4, 2017.
 U.S. Appl. No. 29/628,392 entitled "EFI Throttle Body" filed Dec. 4, 2017.
 U.S. Appl. No. 62/594,527 entitled "Electronic Fuel Injection Throttle Body Assembly" filed Dec. 4, 2017.
 Australian Patent Application No. 2017251869 entitled "Electronic Fuel Injection Throttle Body Assembly" filed Oct. 30, 2017.
 U.S. Appl. No. 62/669,052 entitled "Electronic Fuel Injection Throttle Body Assembly" filed May 9, 2018.
 U.S. Appl. No. 15/986,571 entitled "Fuel Injection Throttle Body" filed May 22, 2018.
 U.S. Appl. No. 29/647,060 entitled "Electronic Fuel Injection Throttle Body" filed May 9, 2018.
 U.S. Appl. No. 29/647,068 entitled "Electronic Fuel Injection Throttle Body" filed May 9, 2018.
 U.S. Appl. No. 62/669,094 entitled "Electronic Fuel Injection Throttle Body Assembly" filed May 9, 2018.
 U.S. Appl. No. 62/726,723 entitled "Electronic Fuel Injection Throttle Body Assembly" filed Sep. 4, 2018.
 Australian Patent Application No. 201815034 entitled "EFI Throttle Body" filed Aug. 23, 2018.
 Transmittal Letter of Related Cases dated Jan. 7, 2019.
 U.S. Appl. No. 16/208,231 entitled "Electronic Fuel Injection Throttle Body Assembly" filed Dec. 3, 2018.
 U.S. Appl. No. 16/208,246 entitled "Electronic Fuel Injection Throttle Body Assembly" filed Dec. 3, 2018.
 Korean Intellectual Property Office, International Search Report and Written Opinion for PCT Application No. PCT/US2018/063660 dated Mar. 20, 2019.
 Korean Intellectual Property Office, International Search Report and Written Opinion for PCT Application No. PCT/US2018/063668 dated Mar. 20, 2019.
 U.S. Appl. No. 16/404,308 entitled "Electronic Fuel Injection Throttle Body Assembly" filed May 6, 2019.
 U.S. Appl. No. 16/405,519 entitled "Electronic Fuel Injection Throttle Body Assembly" filed May 7, 2019.
 Canadian Design Patent Application No. 184482 entitled "Electronic Fuel Injection Throttle Body" filed Oct. 31, 2018.
 Canadian Design Patent Application No. 184483 entitled "Electronic Fuel Injection Throttle Body" filed Oct. 31, 2018.
 U.S. Appl. No. 29/628,394 entitled "EFI Throttle Body" filed Dec. 4, 2017.
 U.S. Appl. No. 29/688,819 entitled "Electronic Fuel Injection Throttle Body" filed Apr. 24, 2019.
 U.S. Appl. No. 29/693,670 entitled "EFI Throttle Body" filed Jun 4, 2019.
 Youtube video, "Holley Terminator EFI Kit Electronic Fuel Injection", May 6, 2015, retrieved on Jul. 1, 2019. Retrieved from <https://www.youtube.com/watch?v=hrTppUkNAn0>.
 U.S. Appl. No. 29/696,092 entitled "Electronic Fuel Injection Throttle Body" filed Jun 25, 2019.
 Mexican Design Patent Application No. MX/f/2018/003332 entitled "Electronic Fuel Injection Throttle Body" filed Nov. 8, 2018.
 Mexican Design Patent Application No. MX/f/2018/003333 entitled "Electronic Fuel Injection Throttle Body" filed Nov. 8, 2018.
 International Search Report and Written Opinion for PCT/US2019/030909 dated Aug. 20, 2019.
 International Search Report and Written Opinion for PCT/US2019/031138 dated Aug. 27, 2019.

* cited by examiner

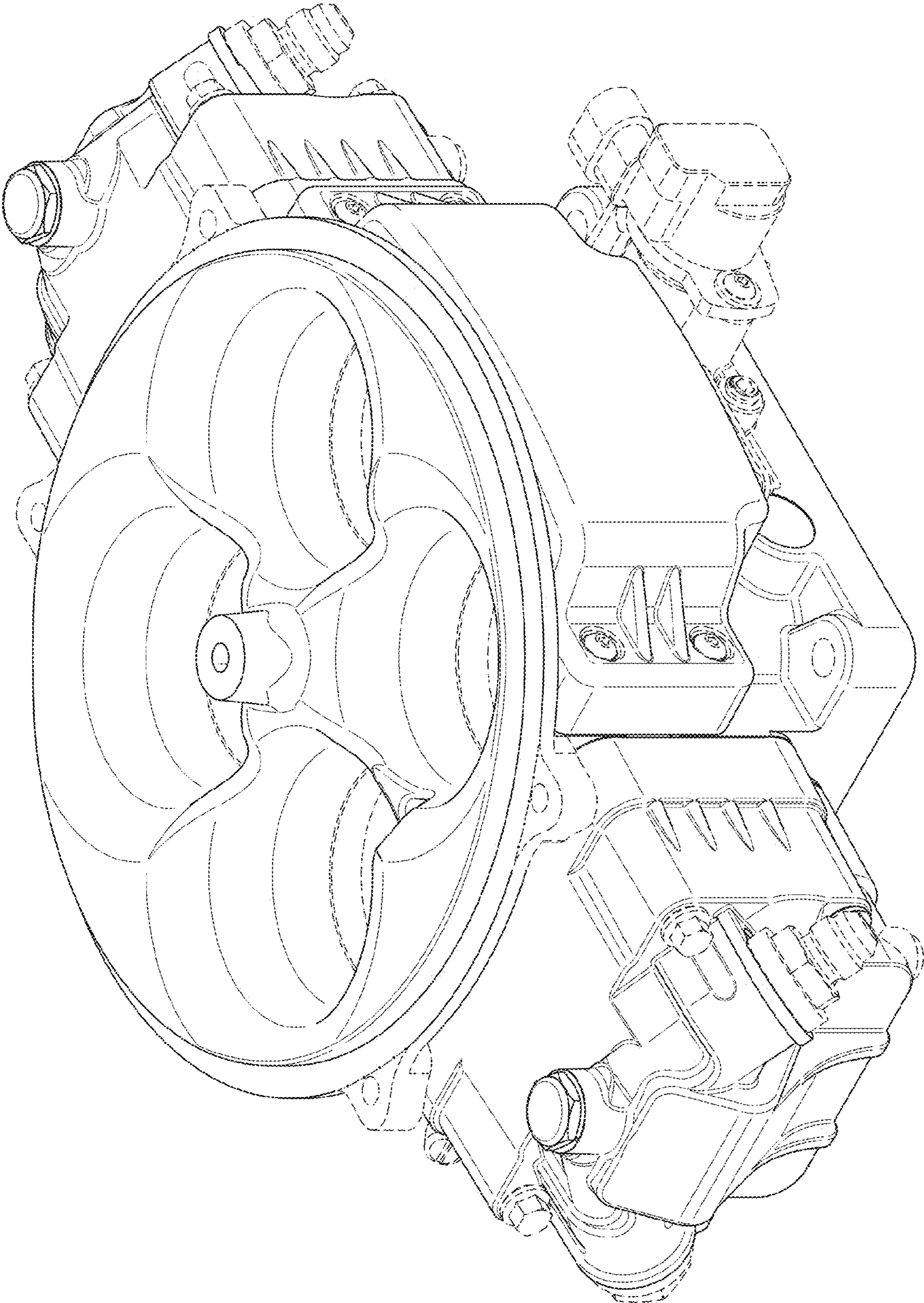


FIG. 1

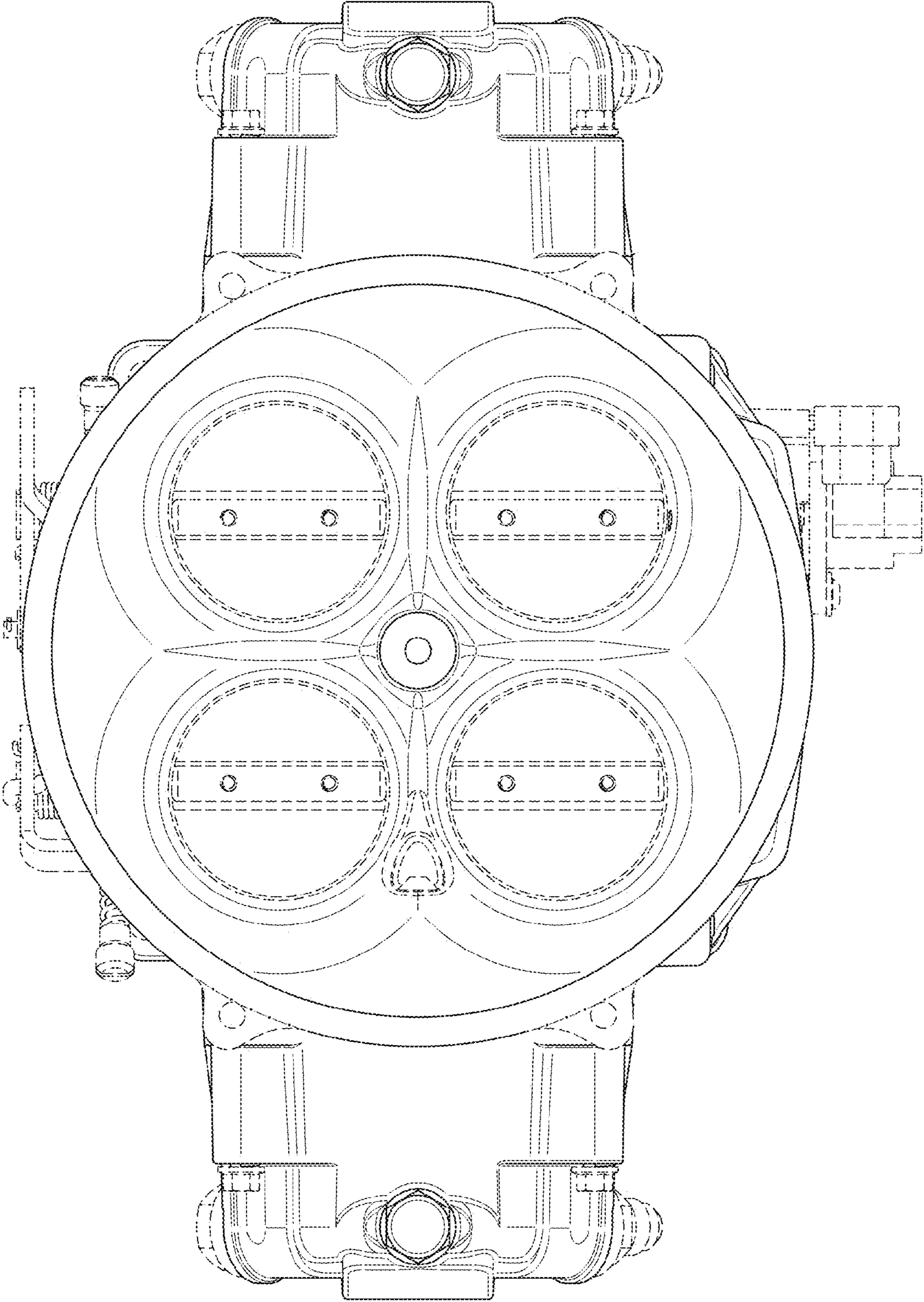


FIG. 2

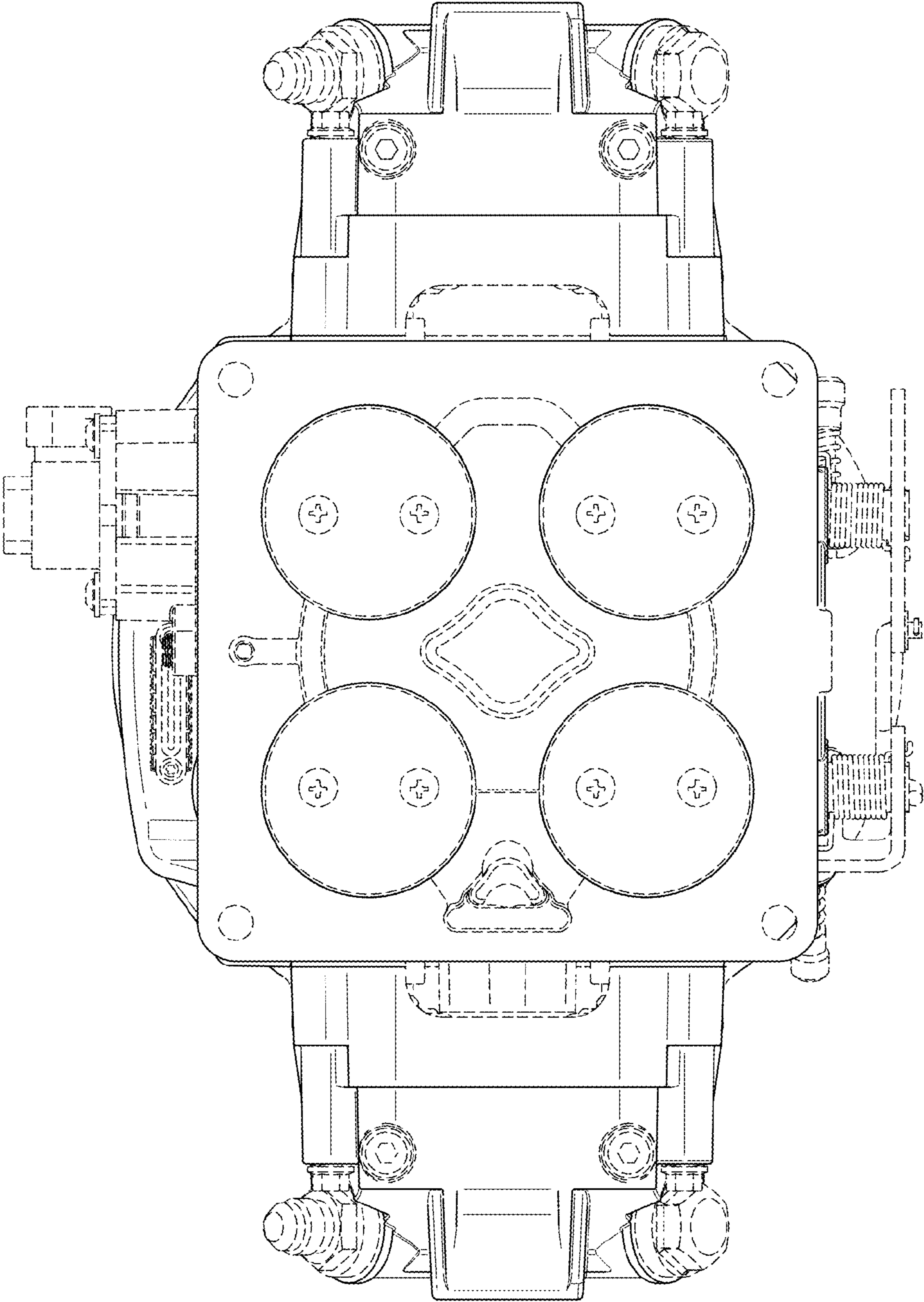


FIG. 3

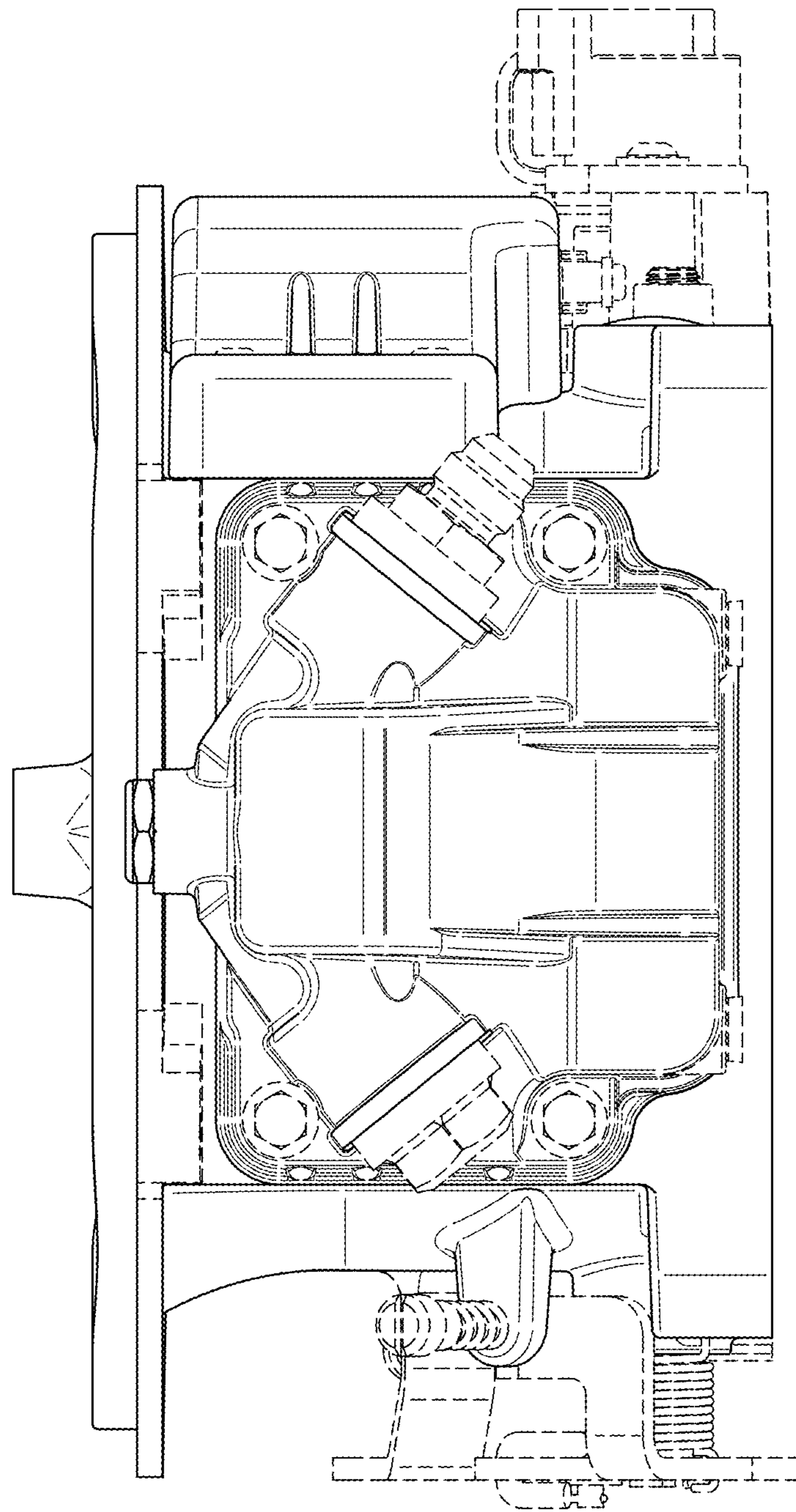


FIG. 4

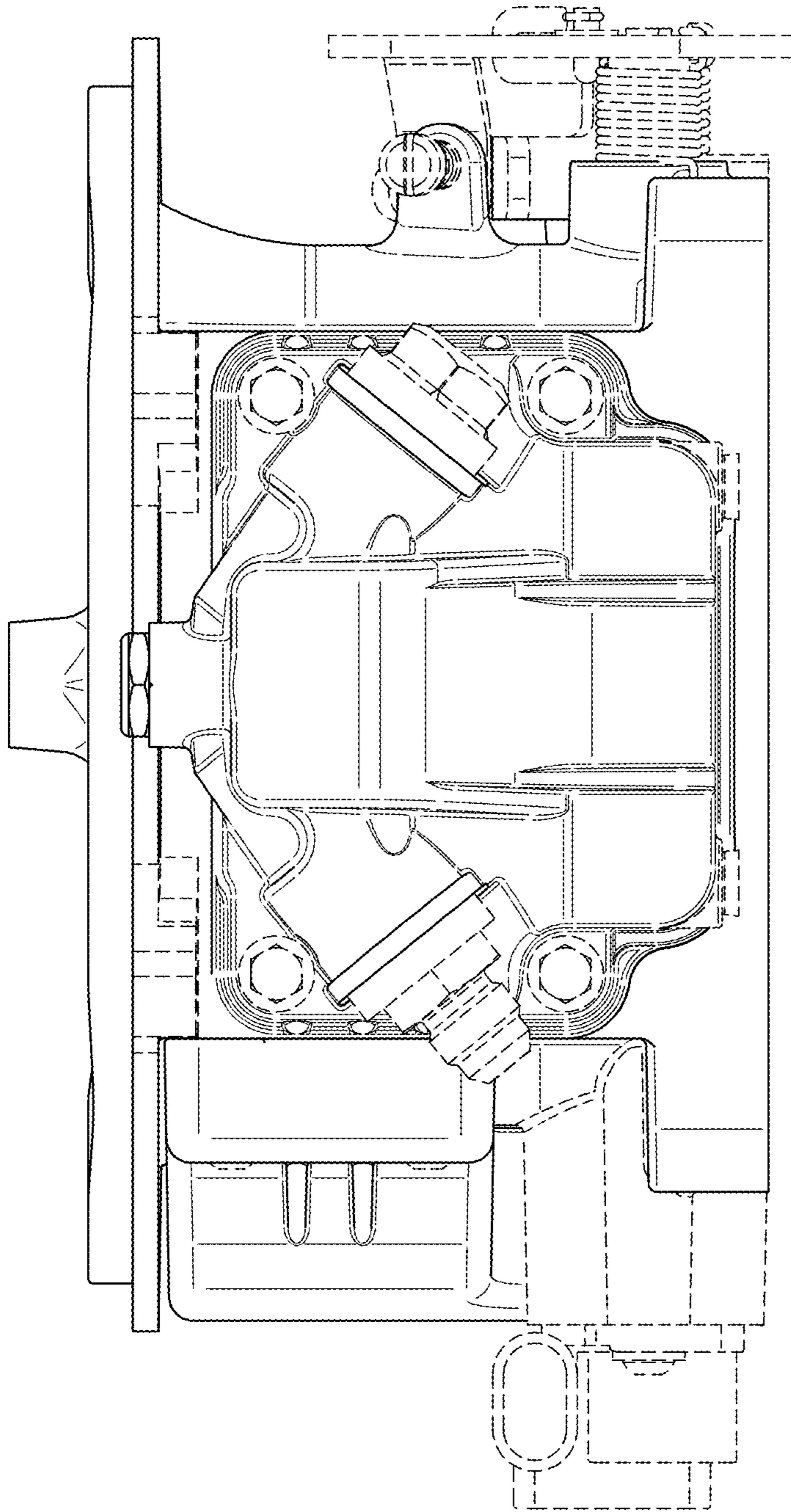


FIG. 5

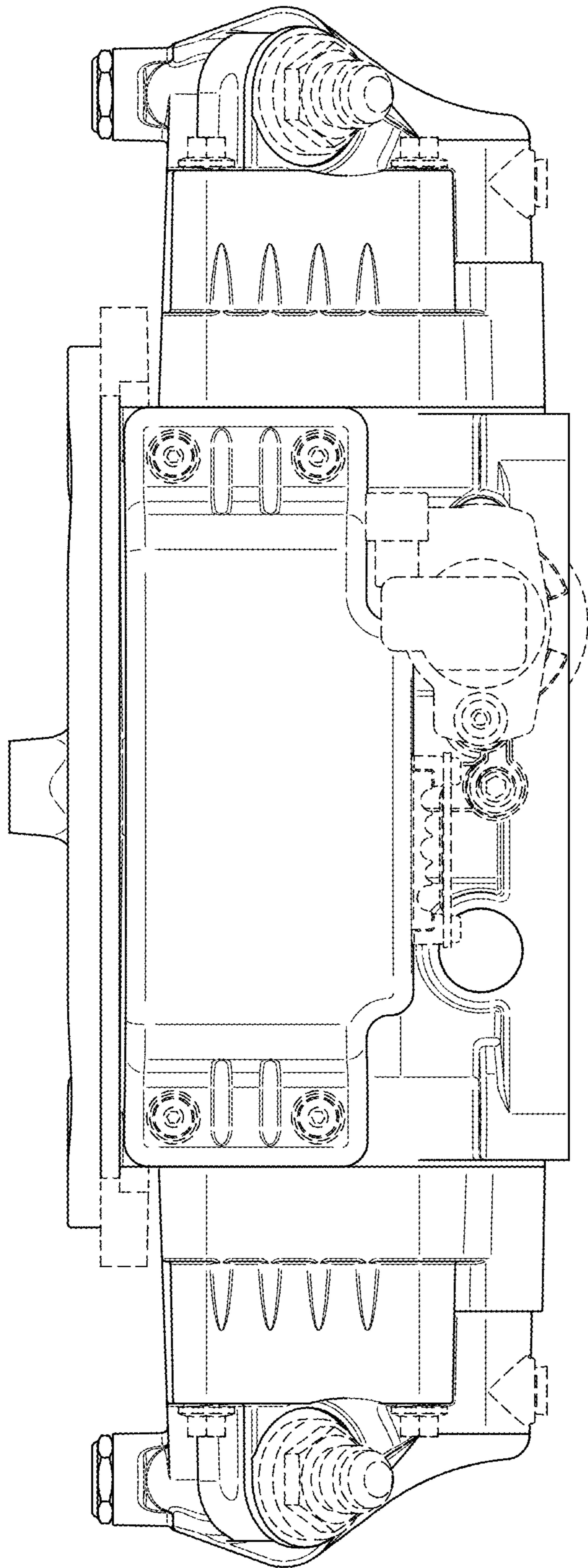


FIG. 6

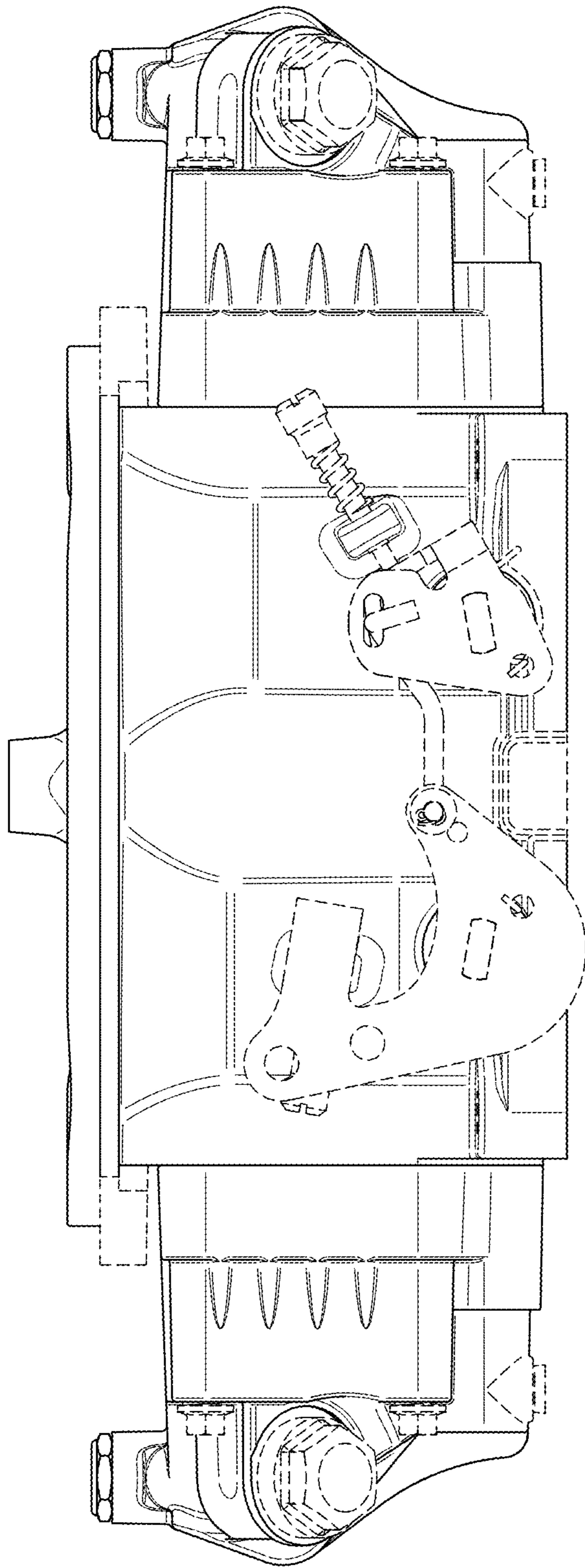


FIG. 7

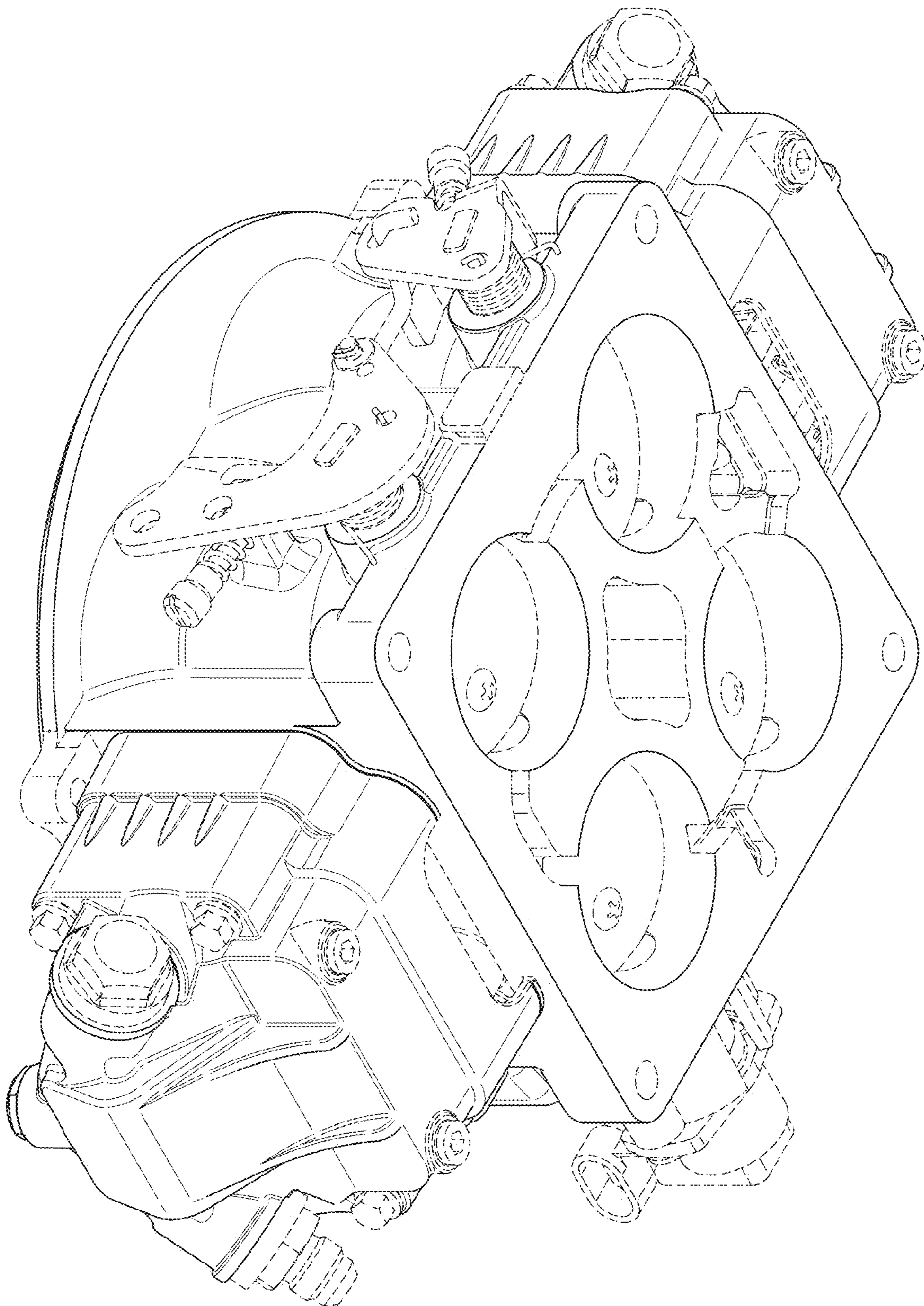


FIG. 8