



US00D925605S

(12) **United States Design Patent** (10) **Patent No.:** **US D925,605 S**  
**Bailey** (45) **Date of Patent:** **\*\* Jul. 20, 2021**

(54) **TROLLING MOTOR FOOT PEDAL**

(71) Applicant: **NAVICO HOLDING AS**, Egersund (NO)

(72) Inventor: **Paul Robert Bailey**, Auckland (NZ)

(73) Assignee: **NAVICO HOLDING AS**, Egersund (NO)

(\*\*) Term: **15 Years**

(21) Appl. No.: **29/718,283**

(22) Filed: **Dec. 23, 2019**

(51) **LOC (13) Cl.** ..... **15-01**

(52) **U.S. Cl.**  
USPC ..... **D15/4**

(58) **Field of Classification Search**  
USPC ..... D12/214, 223, 300, 302, 303, 304, 306, D12/307, 310, 311, 312, 313, 314, 315, D12/316, 317, 318, 400, 415, 426.1; D15/4; D8/349, 354; D13/167  
CPC ..... B63H 20/00; B63H 20/007; B63H 20/02; B63H 21/21; B63H 21/265; B63H 25/02; B63B 7/085; B63B 7/87; B63B 17/00; B60R 11/00  
See application file for complete search history.

(56) **References Cited**

**U.S. PATENT DOCUMENTS**

3,598,947 A 8/1971 Osborn  
3,602,181 A 8/1971 Harris  
D276,811 S 12/1984 Wolfe  
D304,947 S 12/1989 Reynolds  
D308,525 S 6/1990 Robbins

(Continued)

**FOREIGN PATENT DOCUMENTS**

CA 2448778 A1 5/2004  
CA 2700817 A1 10/2010  
EP 2559616 A2 2/2013

**OTHER PUBLICATIONS**

Lowrance Trolling Motor, Published on Jul. 9, 2019 [online], [retrieved on Jan. 11, 2021], Retrieved from the Internet: [https://www.wired2fish.com/news/lowrance-launches-ghost-trolling-motor/#slide\\_1](https://www.wired2fish.com/news/lowrance-launches-ghost-trolling-motor/#slide_1) (Year: 2019).\*

(Continued)

*Primary Examiner* — Christian P. McLean

*Assistant Examiner* — Adam C Mager

(74) *Attorney, Agent, or Firm* — Nelson Mullins Riley & Scarborough LLP

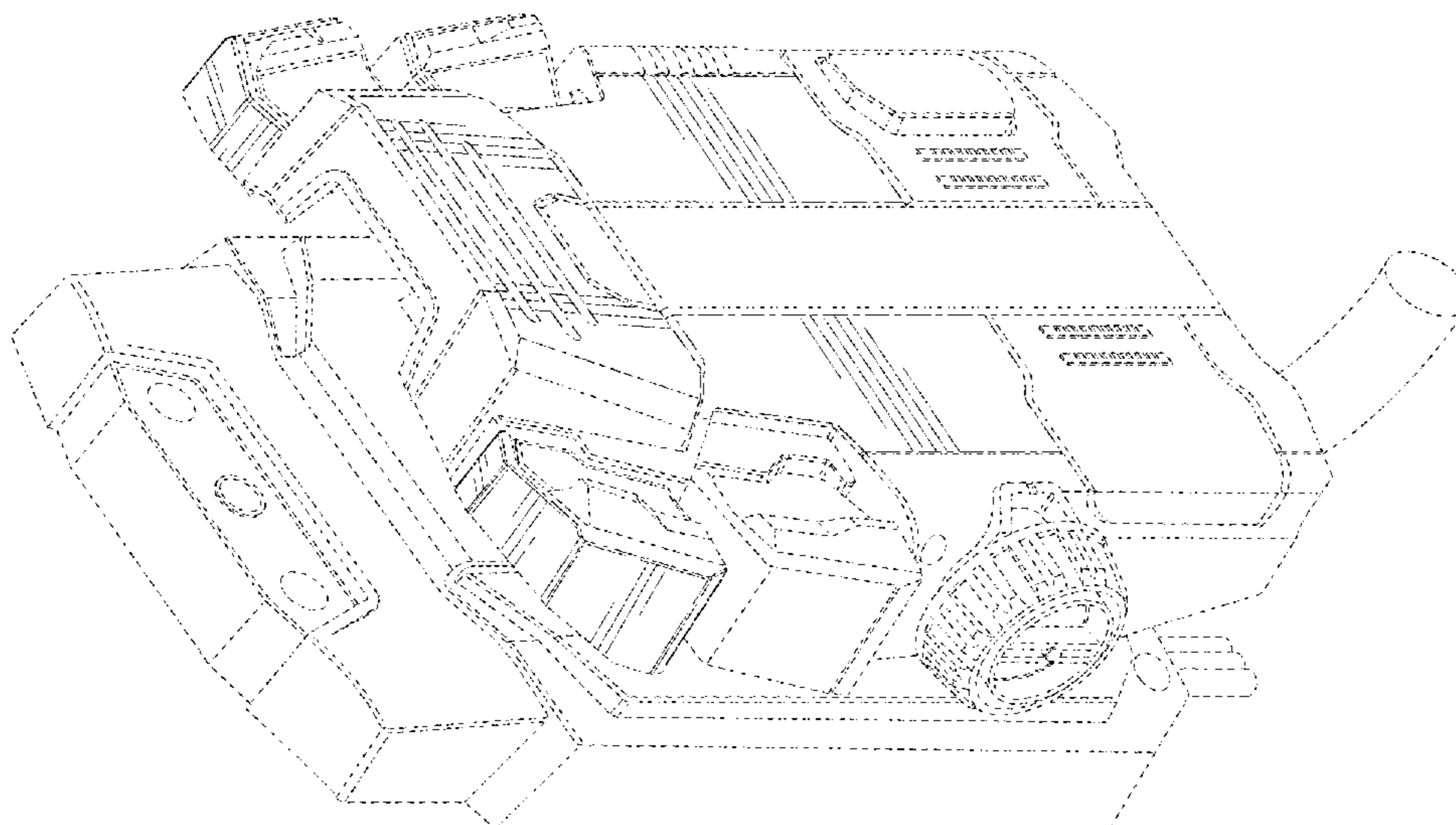
(57) **CLAIM**

The ornamental design for a trolling motor foot pedal, as shown and described.

**DESCRIPTION**

FIG. 1 is a top perspective view of a trolling motor foot pedal in accordance with the present invention;  
FIG. 2 is a right side view of the trolling motor foot pedal of FIG. 1;  
FIG. 3 is a left side view of the trolling motor foot pedal of FIG. 1;  
FIG. 4 is a rear view of the trolling motor foot pedal of FIG. 1;  
FIG. 5 is a front view of the trolling motor foot pedal of FIG. 1;  
FIG. 6 is a top view of the trolling motor foot pedal of FIG. 1;  
FIG. 7 is a bottom view of the trolling motor foot pedal of FIG. 1; and,  
FIG. 8 is a top perspective view of the trolling motor foot pedal of FIG. 1 shown with a trolling motor head and a trolling motor mount.  
The broken dash-dot-dash lines immediately adjacent the shaded areas represent the bounds of the claimed design while all other broken lines illustrate environment that form no part of the claimed design.

**1 Claim, 7 Drawing Sheets**



(56)

References Cited

U.S. PATENT DOCUMENTS

D312,259 S 11/1990 Robbins  
 D343,625 S 1/1994 Walthall  
 D377,027 S 12/1996 Tyler et al.  
 D408,827 S \* 4/1999 Cook, III ..... D15/4  
 5,892,338 A 4/1999 Moore et al.  
 5,993,274 A 11/1999 Rising et al.  
 D418,521 S 1/2000 Hansen  
 6,083,061 A 7/2000 Sahounov  
 D460,459 S 7/2002 Hansen  
 6,468,117 B1 \* 10/2002 Healey ..... B63H 21/213  
 440/7  
 D542,745 S 5/2007 Barnes, Jr. et al.  
 D542,809 S 5/2007 Namiki et al.  
 D552,130 S 10/2007 Steinberg et al.  
 7,285,029 B1 10/2007 Janitz  
 7,294,029 B1 11/2007 Spaulding  
 D594,034 S 6/2009 Bernloehr et al.  
 D611,501 S 3/2010 Vignau et al.  
 D611,502 S 3/2010 Vignau et al.  
 D655,308 S 3/2012 Steinberg  
 D806,752 S 1/2018 Vaninetti et al.  
 10,604,222 B1 \* 3/2020 Salisbury ..... B63H 21/21  
 D886,863 S 6/2020 Bailey  
 D886,864 S 6/2020 Bailey  
 D886,865 S 6/2020 Bailey

10,843,781 B2 \* 11/2020 Clark ..... B63H 21/21  
 D905,757 S \* 12/2020 Domke ..... D15/4  
 2019/0176950 A1 \* 6/2019 Whiteside ..... B63H 25/42  
 2019/0176953 A1 \* 6/2019 Clark ..... B63H 20/007  
 2019/0186592 A1 6/2019 Broughton et al.  
 2020/0172219 A1 \* 6/2020 Schroeder ..... B63H 20/007

OTHER PUBLICATIONS

Lowrance Ghost Trolling Motor, Published on Oct. 28, 2019 [online], [retrieved on Jan. 11, 2021], Retrieved from the Internet: <https://www.amazon.com/Lowrance-Freshwater-Ultra-Quiet-Anchoring-Autopilot/dp/B07ZPDKPT6> (Year: 2019).  
 Design U.S. Appl. No. 29/624,310 entitled "Trolling Motor Head", filed Oct. 31, 2017 in the name of Paul Bailey.  
 Design U.S. Appl. No. 29/624,312 entitled "Trolling Motor Mount", filed Oct. 31, 2017 in the name of Paul Bailey.  
 Design U.S. Appl. No. 29/624,307 entitled "Trolling Motor Foot Pedal", filed Oct. 31, 2017 in the name of Paul Bailey.  
 Design U.S. Appl. No. 29/720,498 entitled "Trolling Motor Mount", filed Jan. 14, 2020 in the name of Paul Bailey.  
 Design U.S. Appl. No. 29/718,284 entitled "Trolling Motor Head", filed Dec. 23, 2019 in the name of Paul Robert Bailey.  
 Design U.S. Appl. No. 29/718,282 entitled "Trolling Motor Mount", filed Dec. 23, 2019 in the name of Paul Robert Bailey.

\* cited by examiner

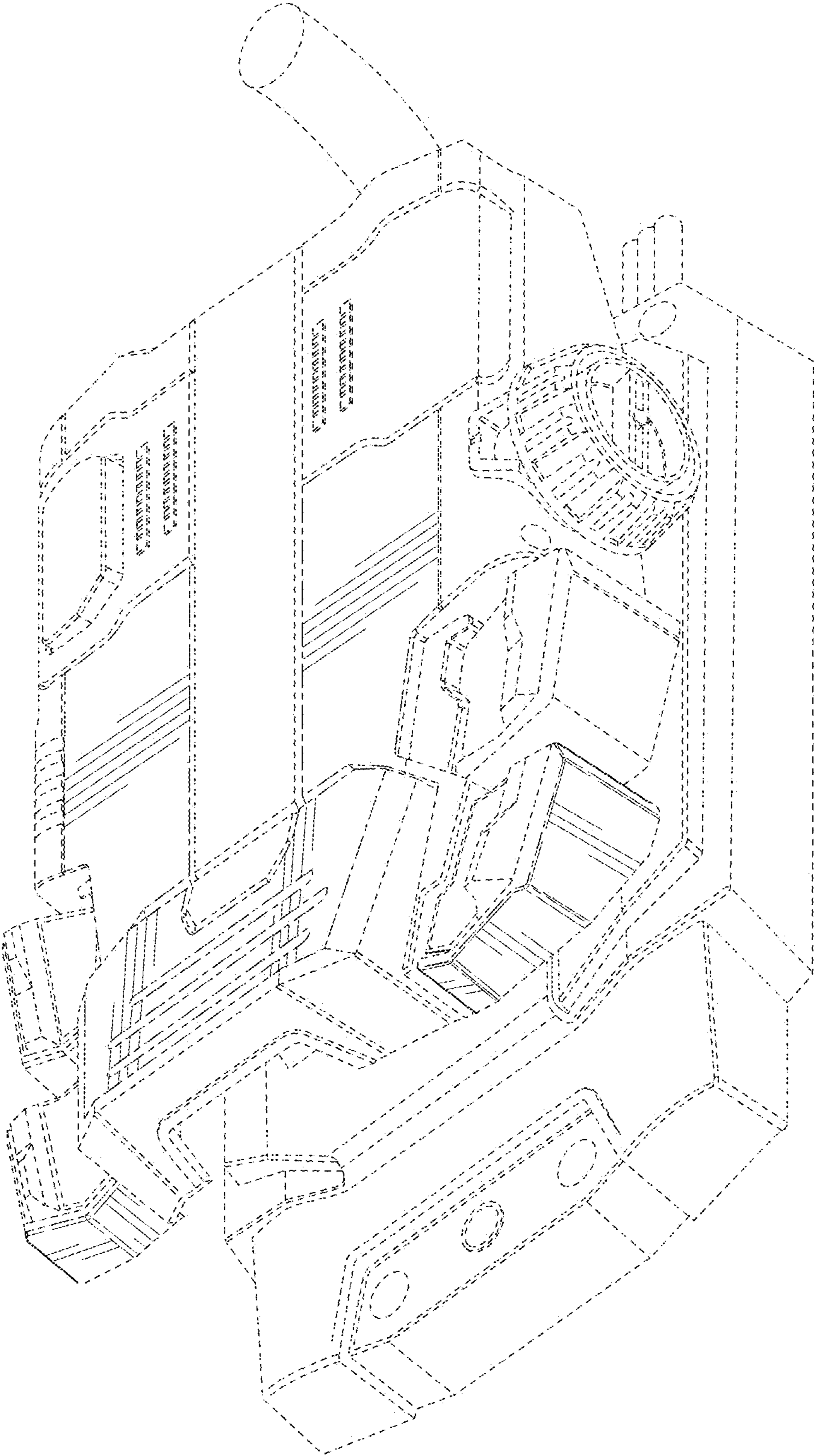


FIG. 1

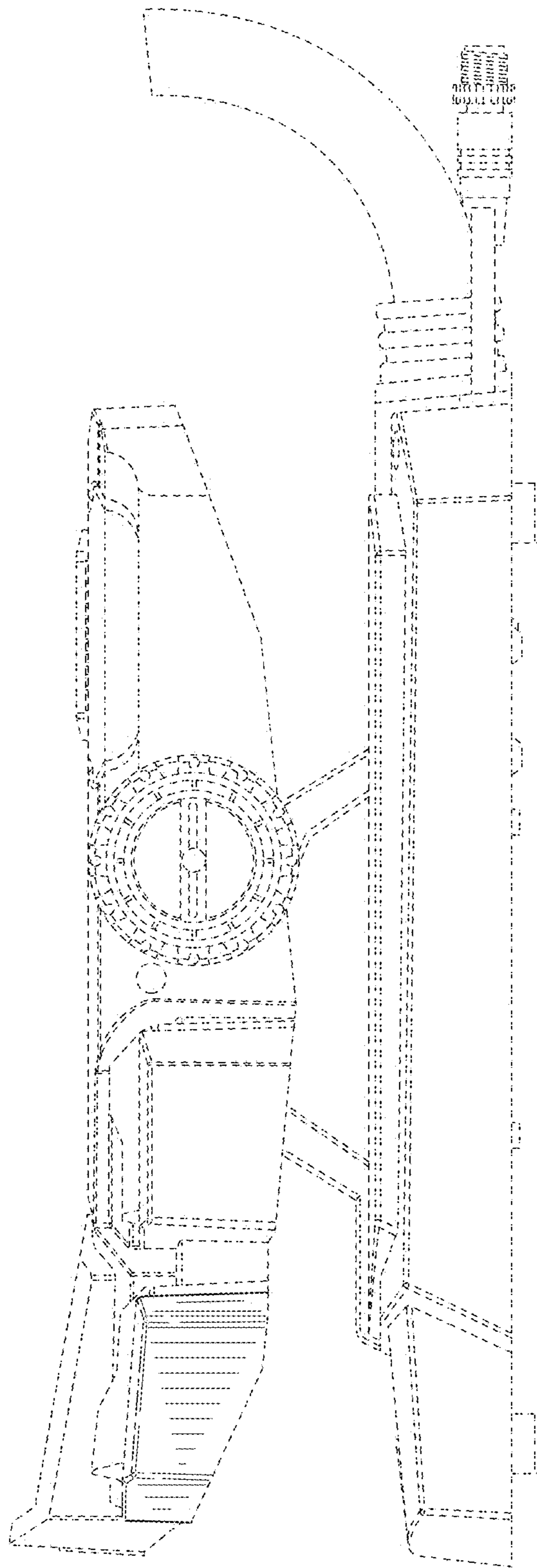


FIG. 2

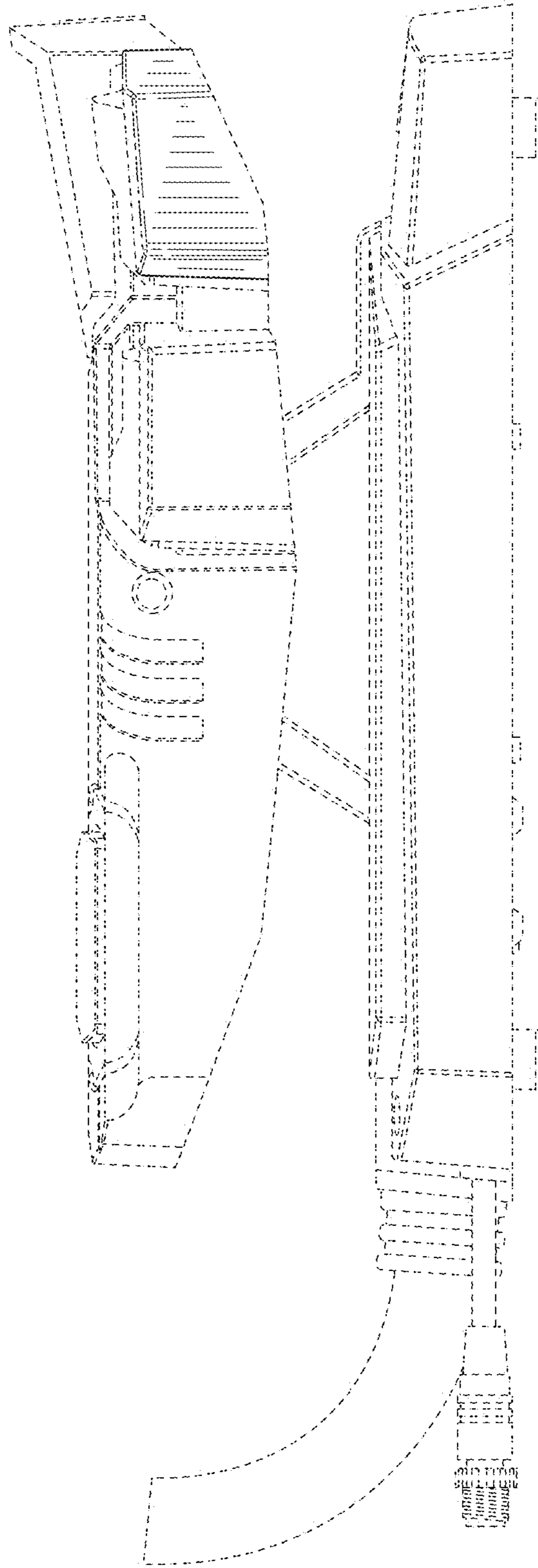


FIG. 3

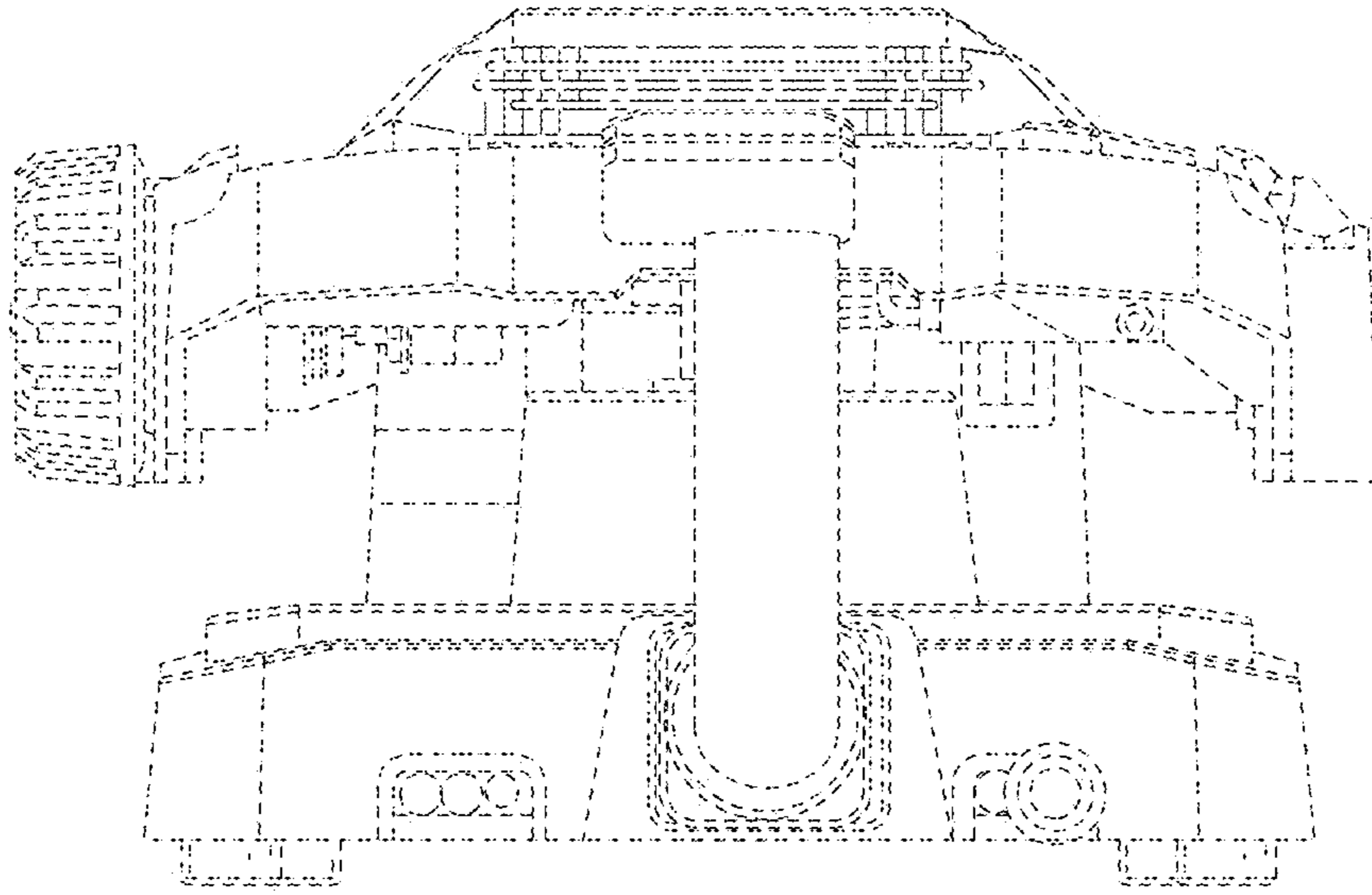


FIG. 4

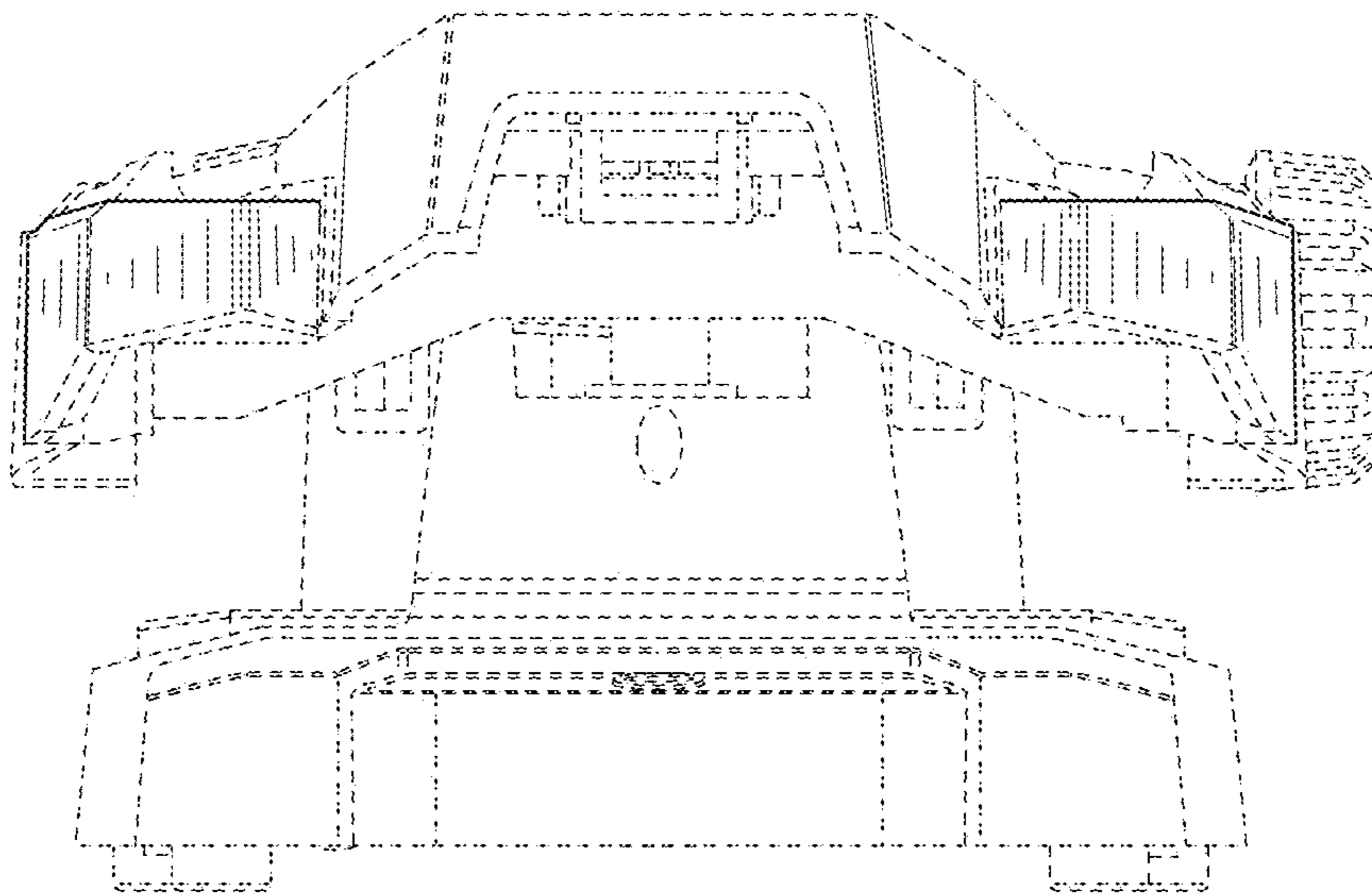


FIG. 5

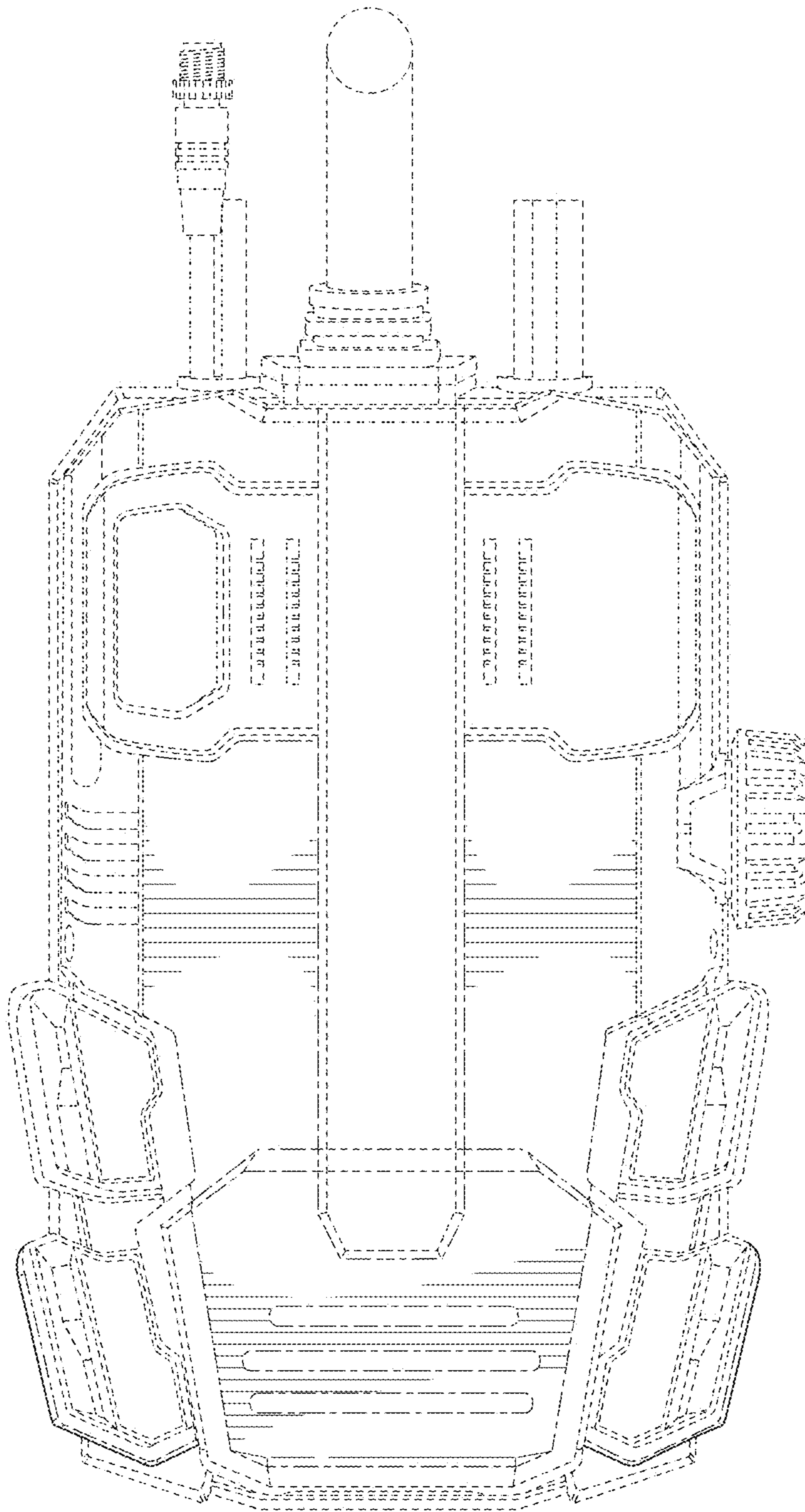


FIG. 6

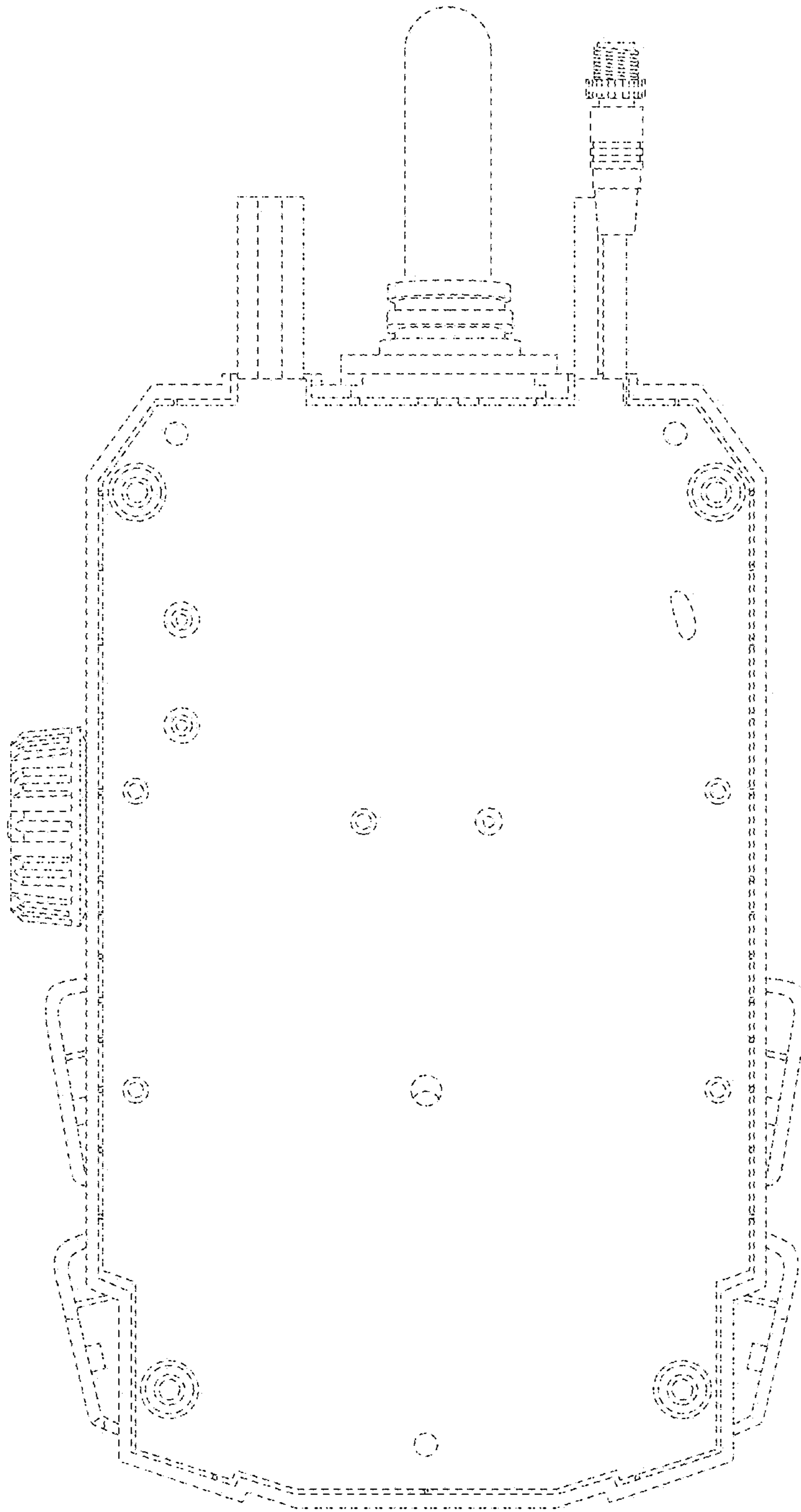


FIG. 7



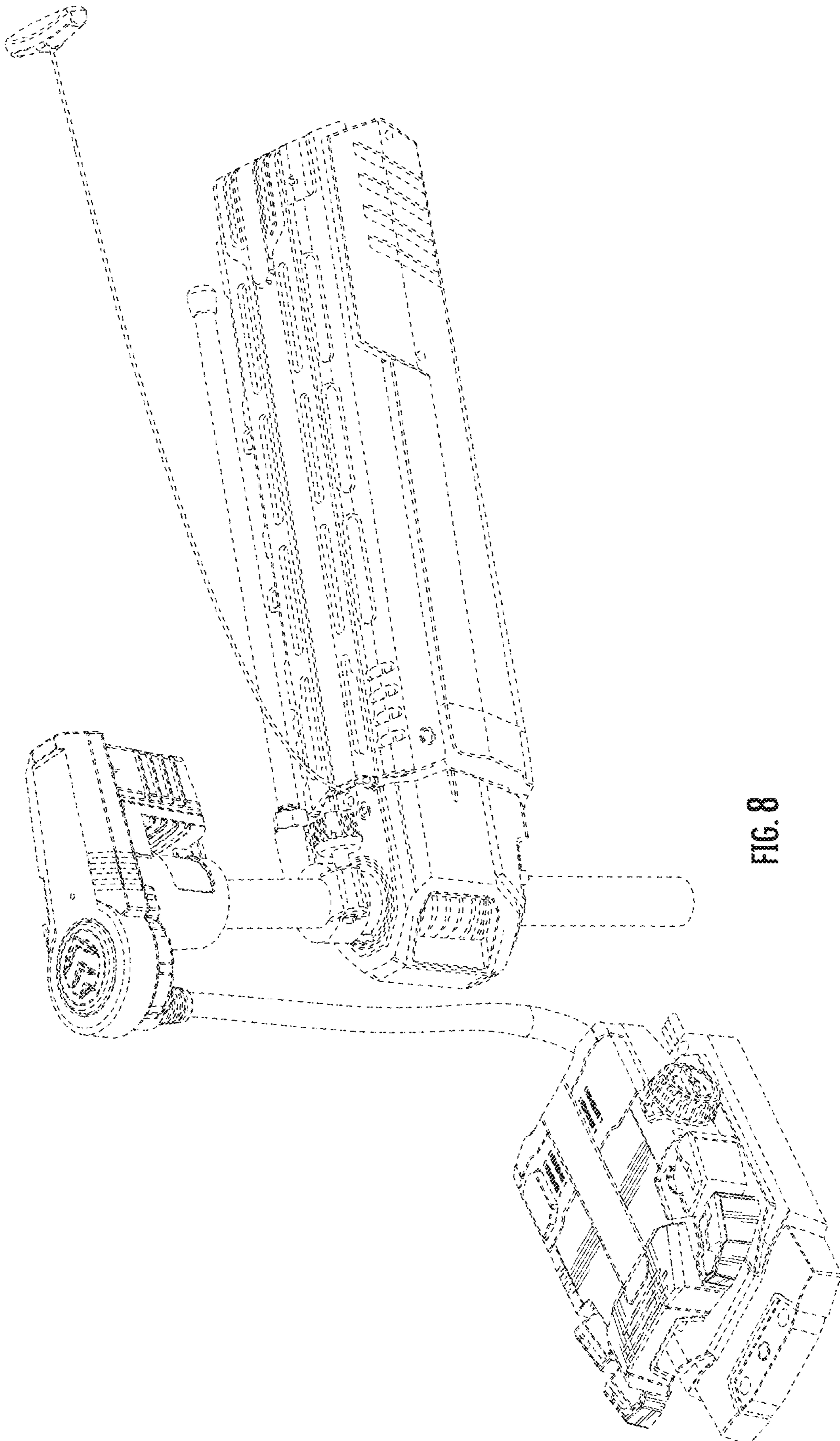


FIG. 8