



US00D925604S

(12) **United States Design Patent**
Wang

(10) **Patent No.:** **US D925,604 S**
(45) **Date of Patent:** **** Jul. 20, 2021**

- (54) **WALL-MOUNTED CD PLAYER**
- (71) Applicant: **Yinfeng Wang**, Shenzhen (CN)
- (72) Inventor: **Yinfeng Wang**, Shenzhen (CN)
- (**) Term: **15 Years**
- (21) Appl. No.: **29/748,952**
- (22) Filed: **Sep. 2, 2020**
- (51) **LOC (13) Cl.** **14-03**
- (52) **U.S. Cl.**
USPC **D14/499**; D14/498
- (58) **Field of Classification Search**
USPC D14/168–172, 188–198, 203.1–204, 356,
D14/363, 365, 498–511
CPC B60K 35/00; B60K 37/00; B60K 37/02;
B60K 37/06; B60R 11/02; G11B 17/02;
G11B 17/04
See application file for complete search history.

(56) **References Cited**

U.S. PATENT DOCUMENTS

D305,658 S *	1/1990	Hosaka	D14/169
D312,083 S *	11/1990	Takada	D14/501
D315,157 S *	3/1991	Sogabe	D14/500
D315,159 S *	3/1991	Hino	D14/163
D319,830 S *	9/1991	Miyai	D14/195
D320,789 S *	10/1991	Sogabe	D14/500
D329,231 S *	9/1992	Lee	D14/507
D405,082 S *	2/1999	Shibata	D14/507
D408,395 S *	4/1999	Sakamoto	D14/500
D408,408 S *	4/1999	Ito	D14/510
D410,463 S *	6/1999	Hattori	D14/507
D426,538 S *	6/2000	Deguchi	D14/507
D430,862 S *	9/2000	Honjo	D14/507
D431,544 S *	10/2000	Kobayashi	D14/510
D442,933 S *	5/2001	Sawai	D14/500
D451,488 S *	12/2001	Foster	D14/165
D458,243 S *	6/2002	Kobayashi	D14/509
D467,891 S *	12/2002	Tokioka	D14/203.3
D469,417 S *	1/2003	Hsu	D14/142

D478,886 S *	8/2003	Christianson	D14/507
D480,372 S *	10/2003	Chen	D14/203.3
D485,542 S *	1/2004	Wu	D14/507
D491,904 S *	6/2004	Johansson	D14/507
D512,706 S *	12/2005	Nakane	D14/168
D512,977 S *	12/2005	Chan	D14/500
D522,994 S *	6/2006	Bhakta	D14/507
D531,605 S *	11/2006	Chen	D14/507
D542,752 S *	5/2007	Liang	D14/507
D550,179 S *	9/2007	Lee	D14/507

(Continued)

FOREIGN PATENT DOCUMENTS

EM 008158364-0001 * 9/2020

Primary Examiner — Wendy L Arminio

(57) **CLAIM**

The ornamental design for a wall-mounted CD player, as shown and described.

DESCRIPTION

FIG. 1 is a front and top perspective view of a wall-mounted CD player, showing my new design.

FIG. 2 is a rear and bottom perspective view thereof;

FIG. 3 is a front elevational view thereof;

FIG. 4 is a rear elevational view thereof;

FIG. 5 is a left side elevational view thereof;

FIG. 6 is a right side elevational view thereof;

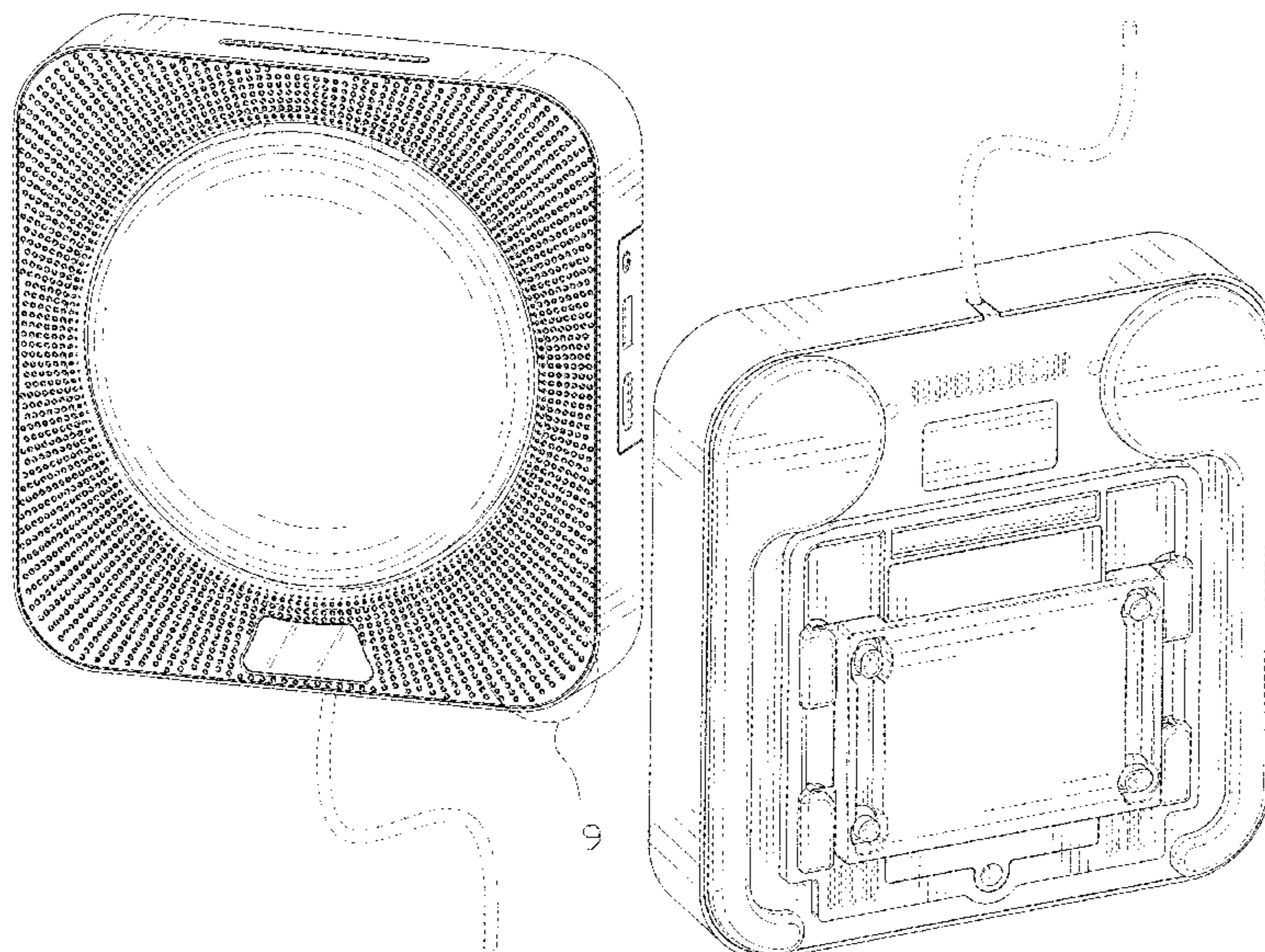
FIG. 7 is a top plan view thereof;

FIG. 8 is a bottom plan view thereof; and,

FIG. 9 is an enlarged detail view of area 9 circumscribed within FIG. 1.

The broken lines in the figures illustrate portions of the wall-mounted CD player that form no part of the claimed design. The dash-dot-dash broken lines circumscribing the area of the detail in FIG. 1 and surrounding FIG. 9 denote the boundaries of the enlarged detail view and form no part of the claimed design.

1 Claim, 9 Drawing Sheets



(56)

References Cited

U.S. PATENT DOCUMENTS

D594,475	S	*	6/2009	Liang	D14/500
D611,926	S	*	3/2010	Lev	D14/168
9,798,358	B1	*	10/2017	Skurdal	H04R 1/028
D858,578	S	*	9/2019	Fang	D14/498
D859,350	S	*	9/2019	Pedersen	D14/149
D867,316	S	*	11/2019	Newton	D14/240
D875,786	S		2/2020	Fang et al.		
D888,766	S	*	6/2020	Fang	D14/510
D904,459	S	*	12/2020	Pan	D14/507
D911,389	S	*	2/2021	Fang	D14/509
D912,046	S	*	3/2021	Huang	D14/358

* cited by examiner

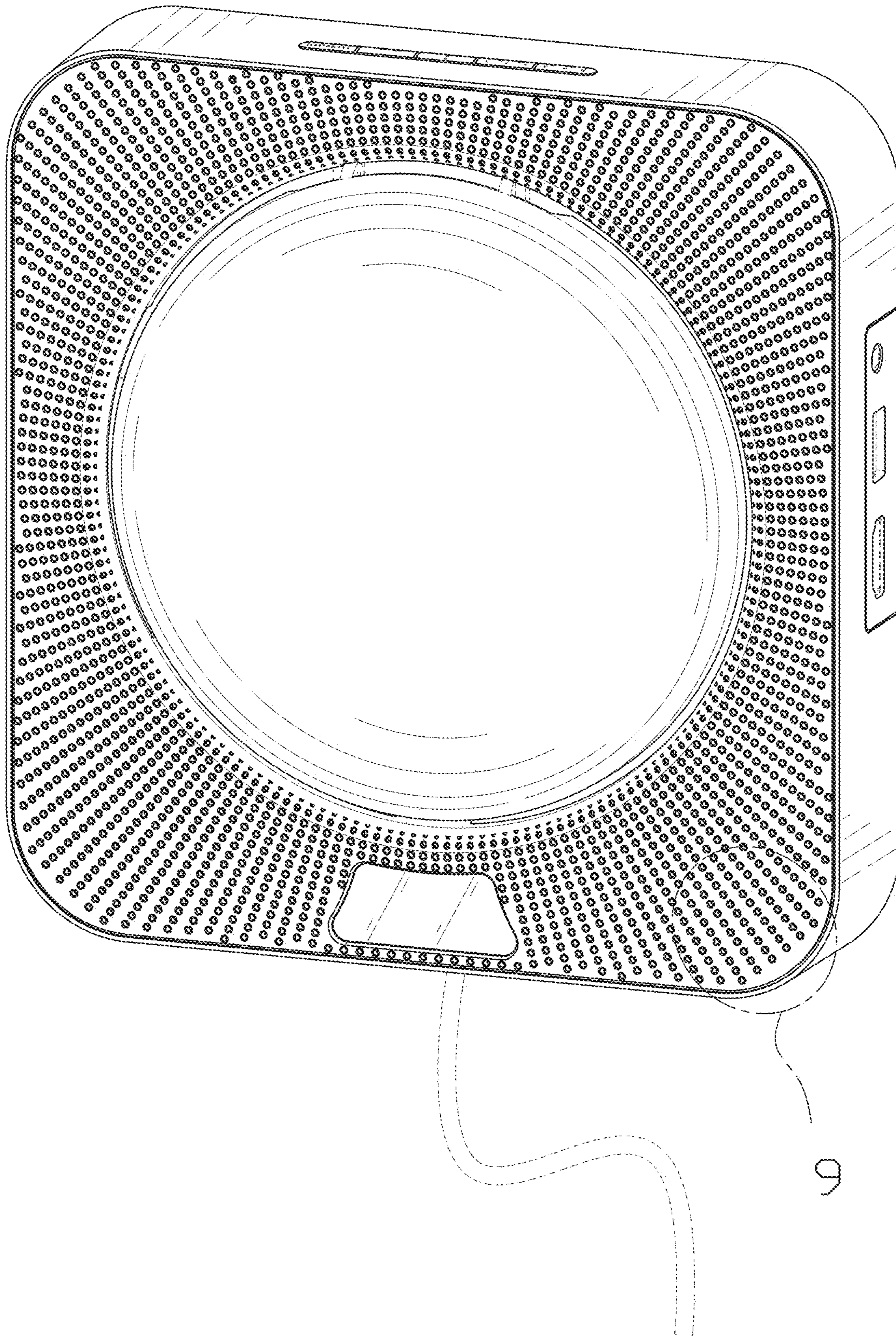


FIG. 1

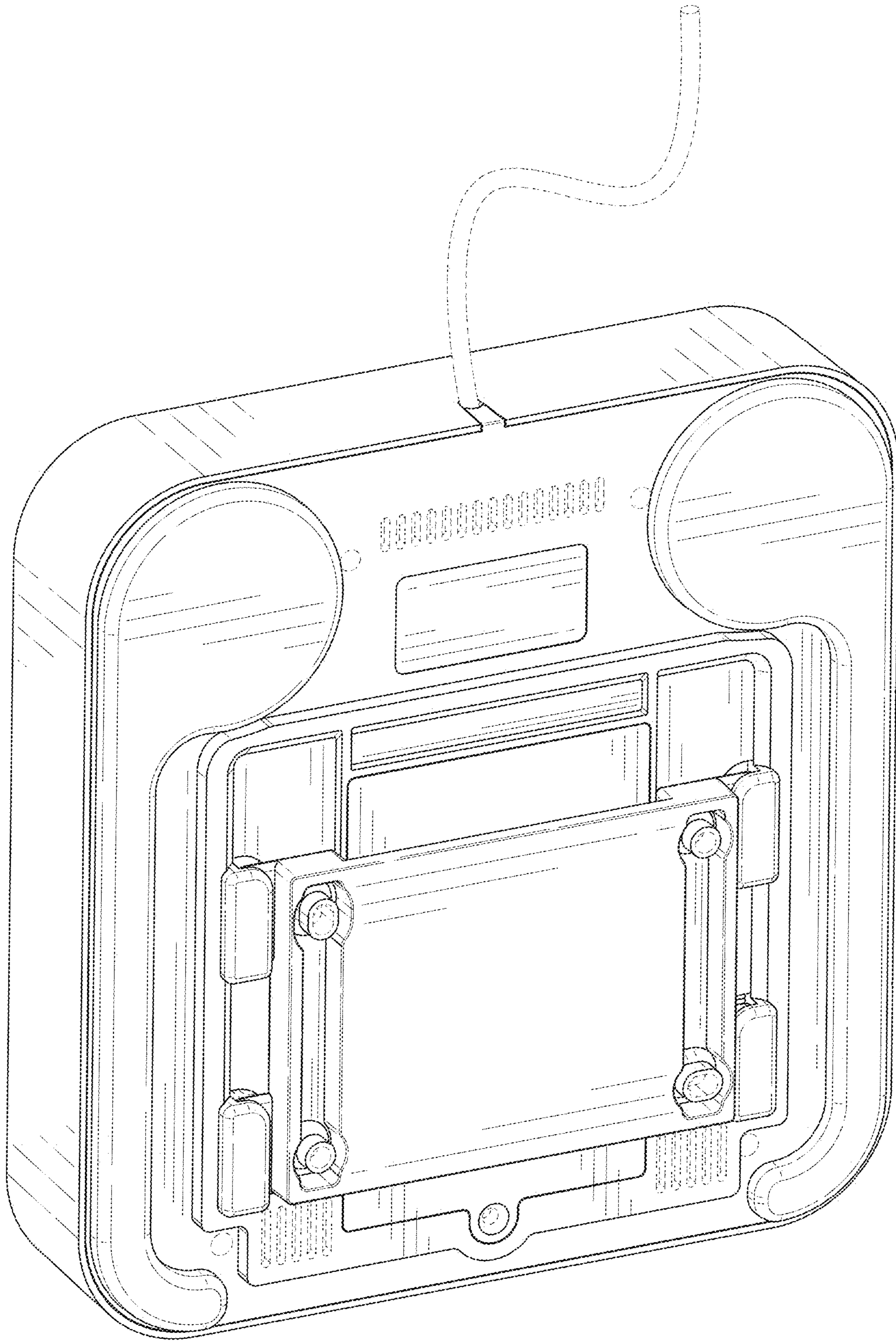


FIG. 2

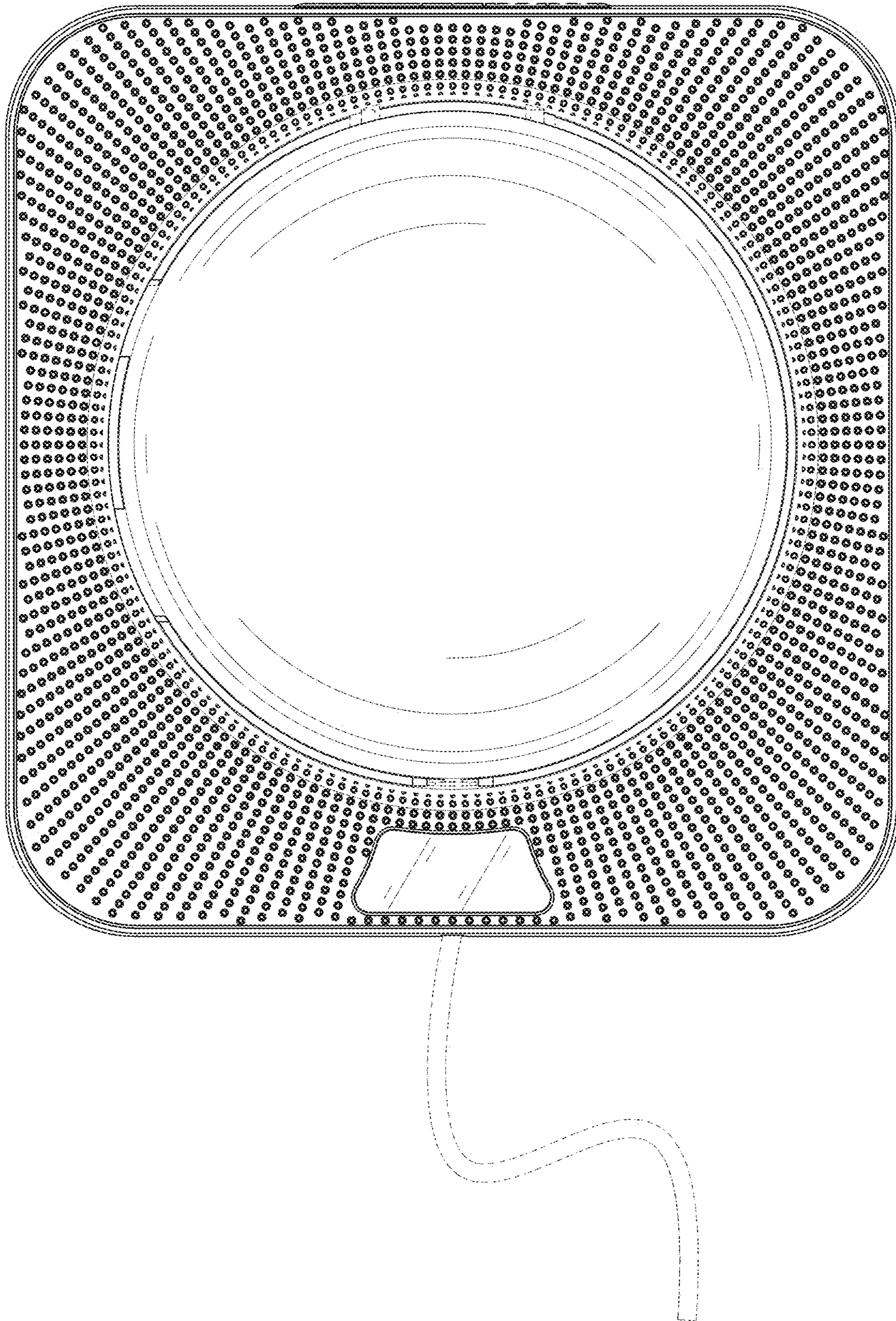


FIG. 3

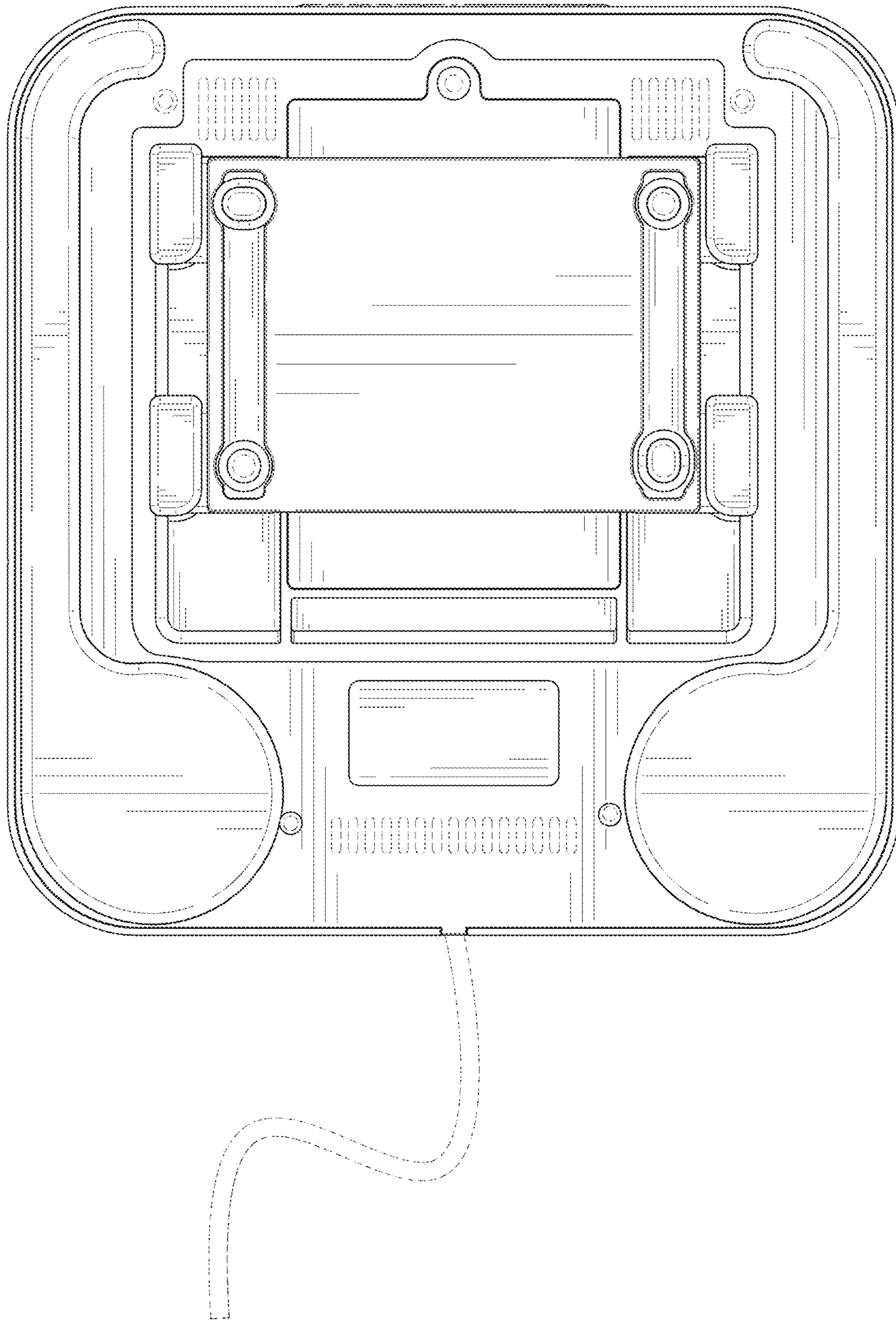


FIG. 4

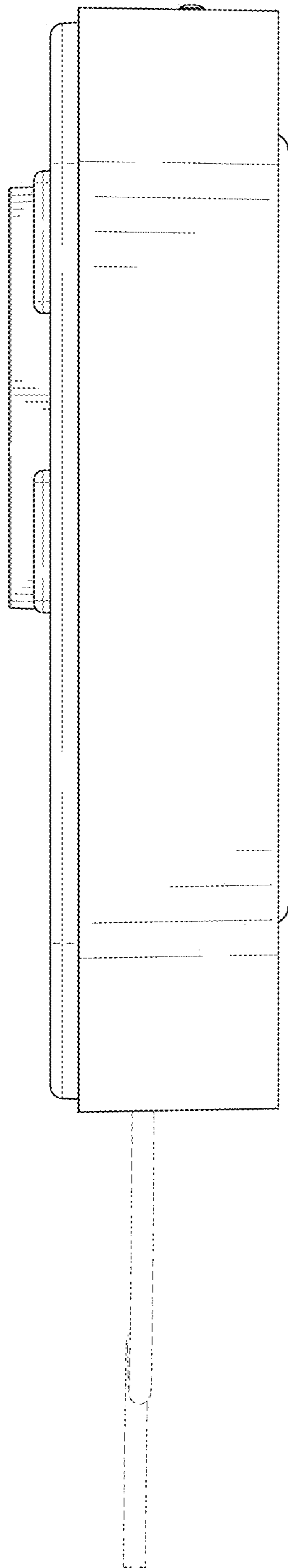


FIG. 5

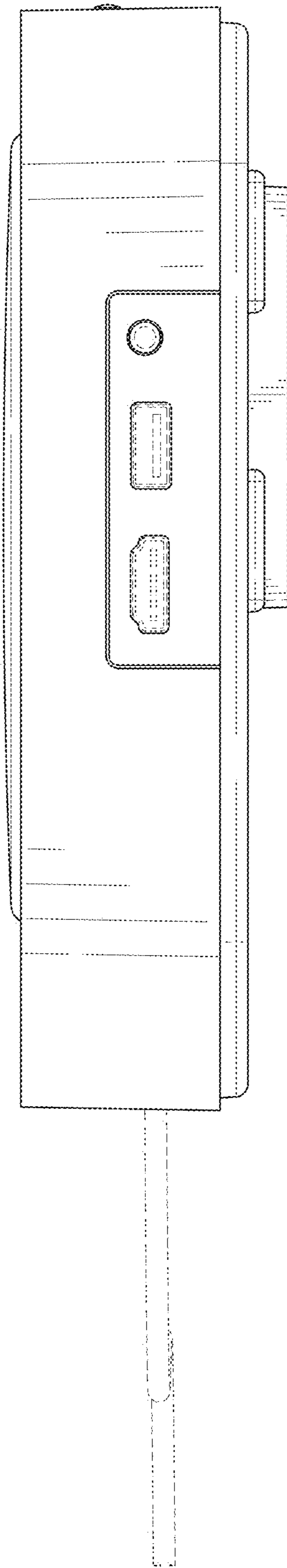


FIG. 6

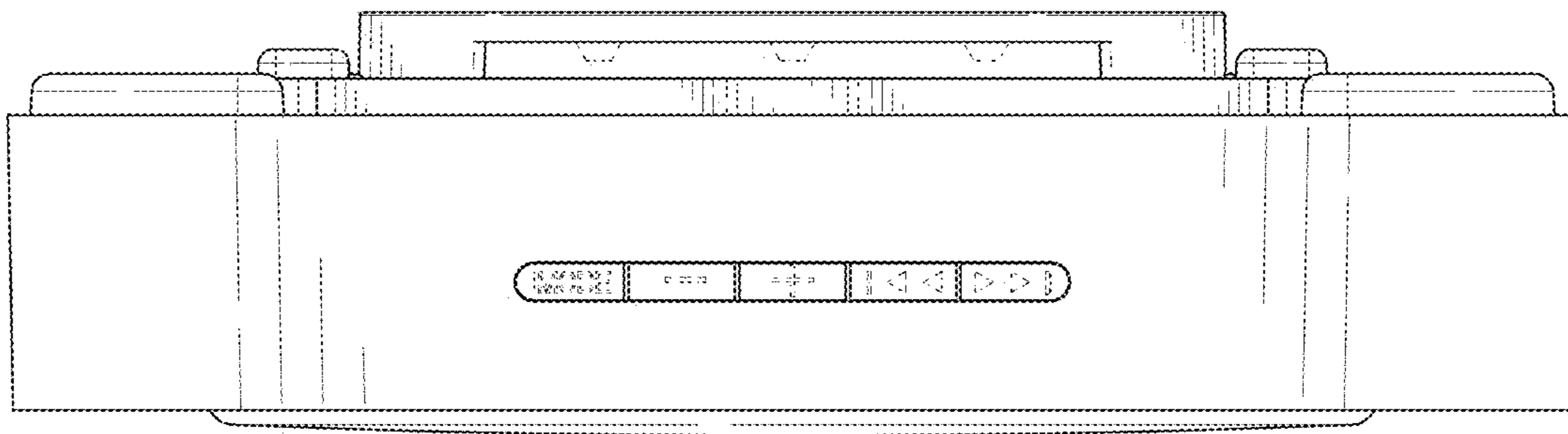


FIG. 7

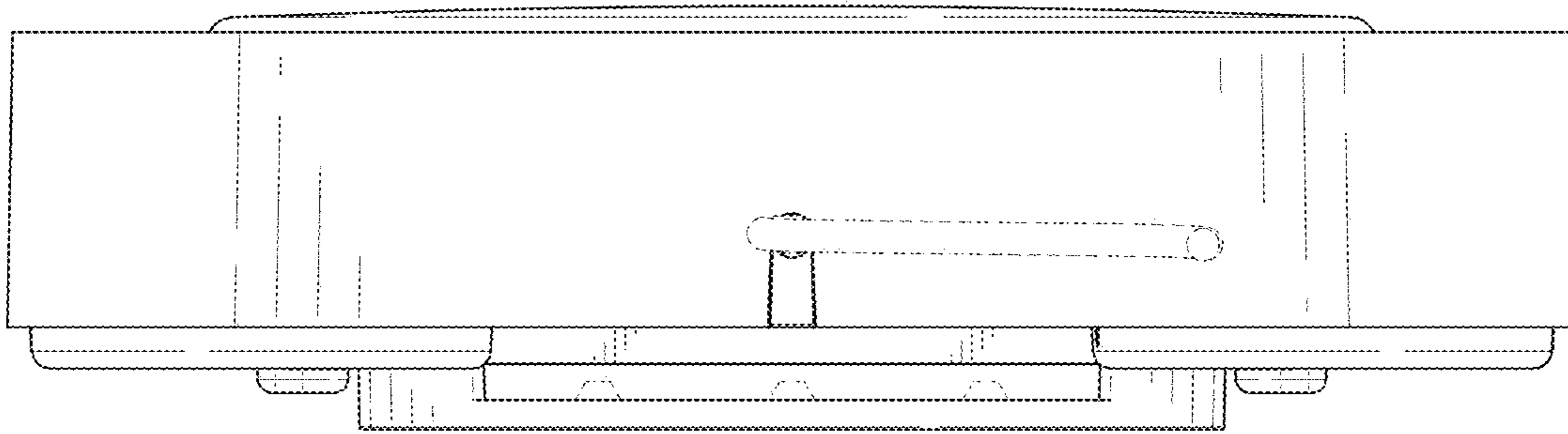


FIG. 8

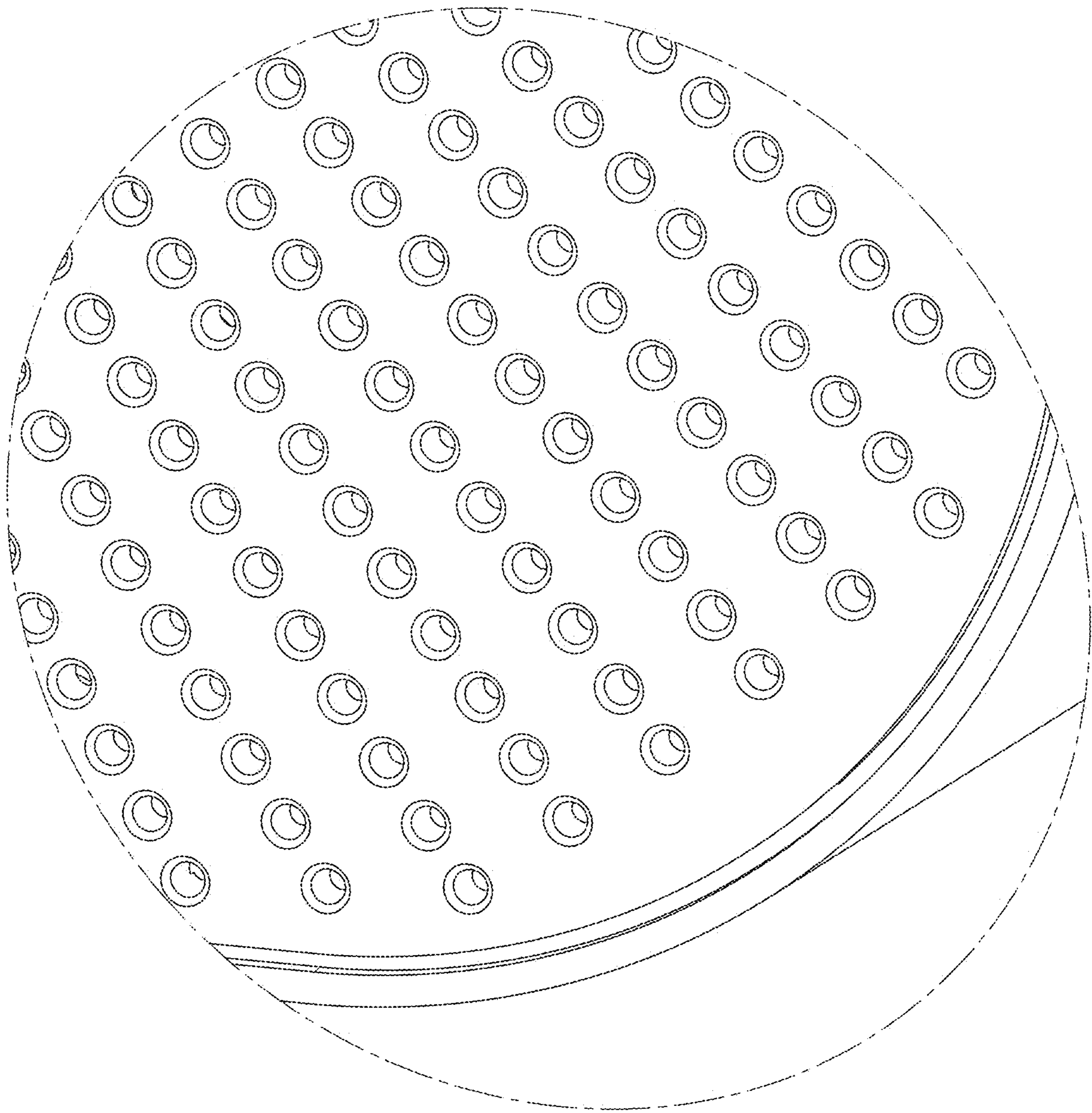


FIG. 9