

US00D925603S

(12) **United States Design Patent** (10) **Patent No.:** **US D925,603 S**
Tran et al. (45) **Date of Patent:** **** Jul. 20, 2021**

(54) **DISPLAY SCREEN WITH GRAPHICAL USER INTERFACE**

(71) Applicant: **Google LLC**, Mountain View, CA (US)

(72) Inventors: **Kim Tran**, Palo Alto, CA (US); **James Felkins**, Palo Alto, CA (US); **Andrew Schoneweis**, Sunnyvale, CA (US); **Lauren Wunderlich**, San Francisco, CA (US); **Evan Malahy**, Sunnyvale, CA (US); **Nicholas Franchi**, San Francisco, CA (US)

(73) Assignee: **GOOGLE LLC**, Mountain View, CA (US)

(**) Term: **15 Years**

(21) Appl. No.: **29/693,423**

(22) Filed: **Jun. 3, 2019**

(51) **LOC (13) Cl.** **14-04**

(52) **U.S. Cl.**
USPC **D14/492**

(58) **Field of Classification Search**
USPC 368/229; D10/32, 126, 2, 15, 24, 30, 39, D10/125; D11/95, 116; D14/485-495; D18/24-32; D20/11, 20, 22, 23, 27, 28
CPC G04B 45/00; G04B 45/0069; G04B 37/1486; G06F 3/048-04897; G06F 3/013; G06F 3/017; G06F 3/165; G06F 3/167; H04M 1/6075; H04M 3/567; H04M 1/2477; H04M 1/26; H04M 1/274582; H04L 12/581; H04L 12/813; H04L 12/1813; G06Q 10/10; H04N 7/16
See application file for complete search history.

(56) **References Cited**

U.S. PATENT DOCUMENTS

D687,062 S * 7/2013 Gardner D14/489
D719,186 S * 12/2014 Kim D14/488

D745,563 S * 12/2015 Lee D14/492
D747,727 S * 1/2016 Lee D14/485
D747,740 S * 1/2016 Lee D14/492
D748,141 S * 1/2016 Park D14/492
D748,144 S * 1/2016 Kwon D14/492
D753,696 S * 4/2016 Dye D14/486
D754,144 S * 4/2016 Vazquez D14/485
D760,290 S * 6/2016 Huang D14/492
D781,908 S * 3/2017 Bhandari D14/487
10,386,888 B2 * 8/2019 Berardinelli G04G 21/08
D873,279 S * 1/2020 Dye D14/485
D883,307 S * 5/2020 Broughton D14/485
10,739,974 B2 * 8/2020 Wilson G06T 13/00
D898,755 S * 10/2020 Chen D14/486
2015/0098309 A1 * 4/2015 Adams G04G 21/06
368/10

* cited by examiner

Primary Examiner — Cary M Robinson

(74) *Attorney, Agent, or Firm* — Leason Ellis LLP

(57) **CLAIM**

The ornamental design for a display screen with graphical user interface, as shown and described.

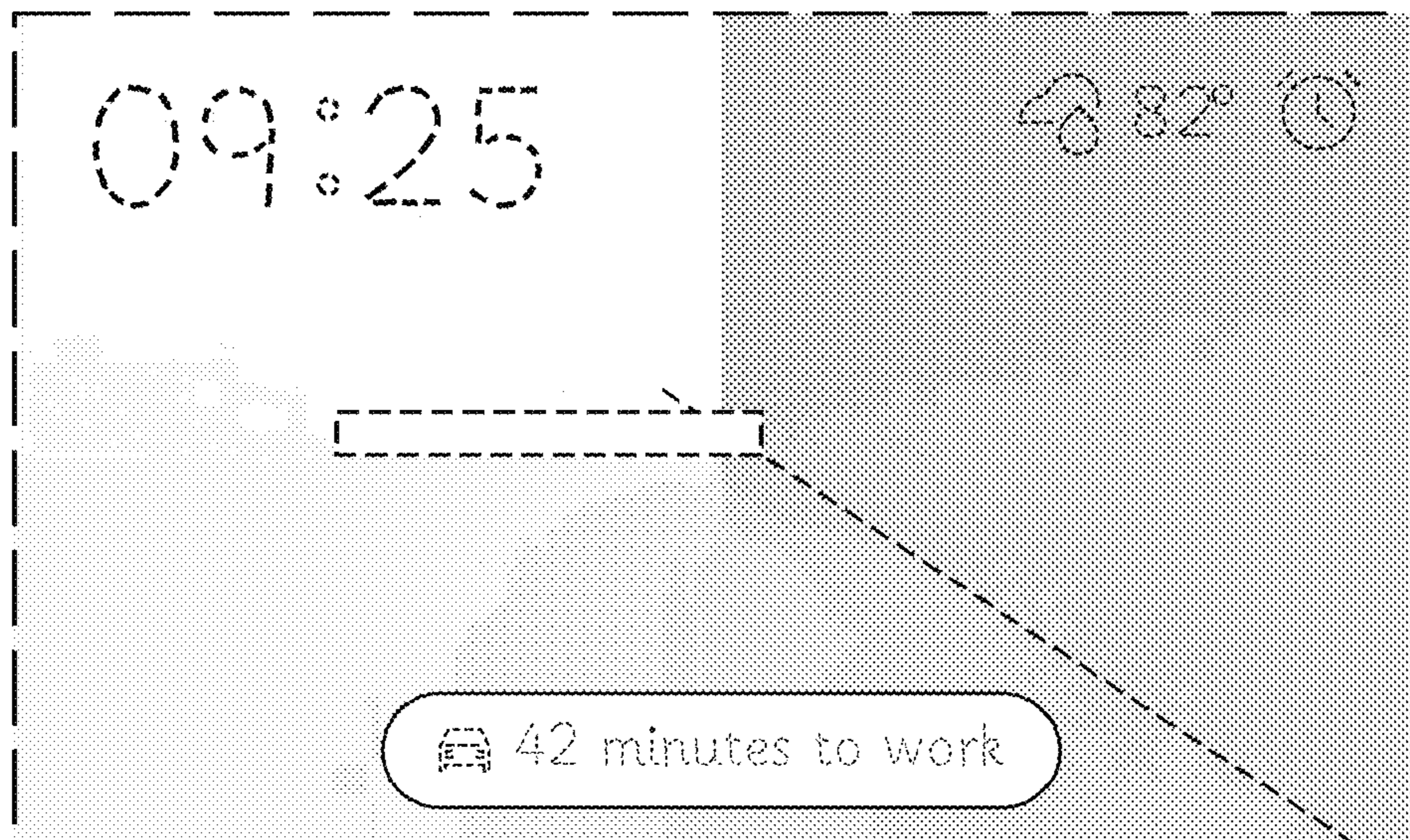
DESCRIPTION

FIG. 1 is a front view of a display screen with graphical user interface showing a first embodiment according to claimed design; and,

FIG. 2 is a front view of a display screen with graphical user interface showing a second embodiment according to claimed design.

The outermost broken line illustrates the display screen and a boundary and the remaining broken lines illustrate portions of the graphical use interface. None of the broken lines form part of the claimed design.

1 Claim, 2 Drawing Sheets



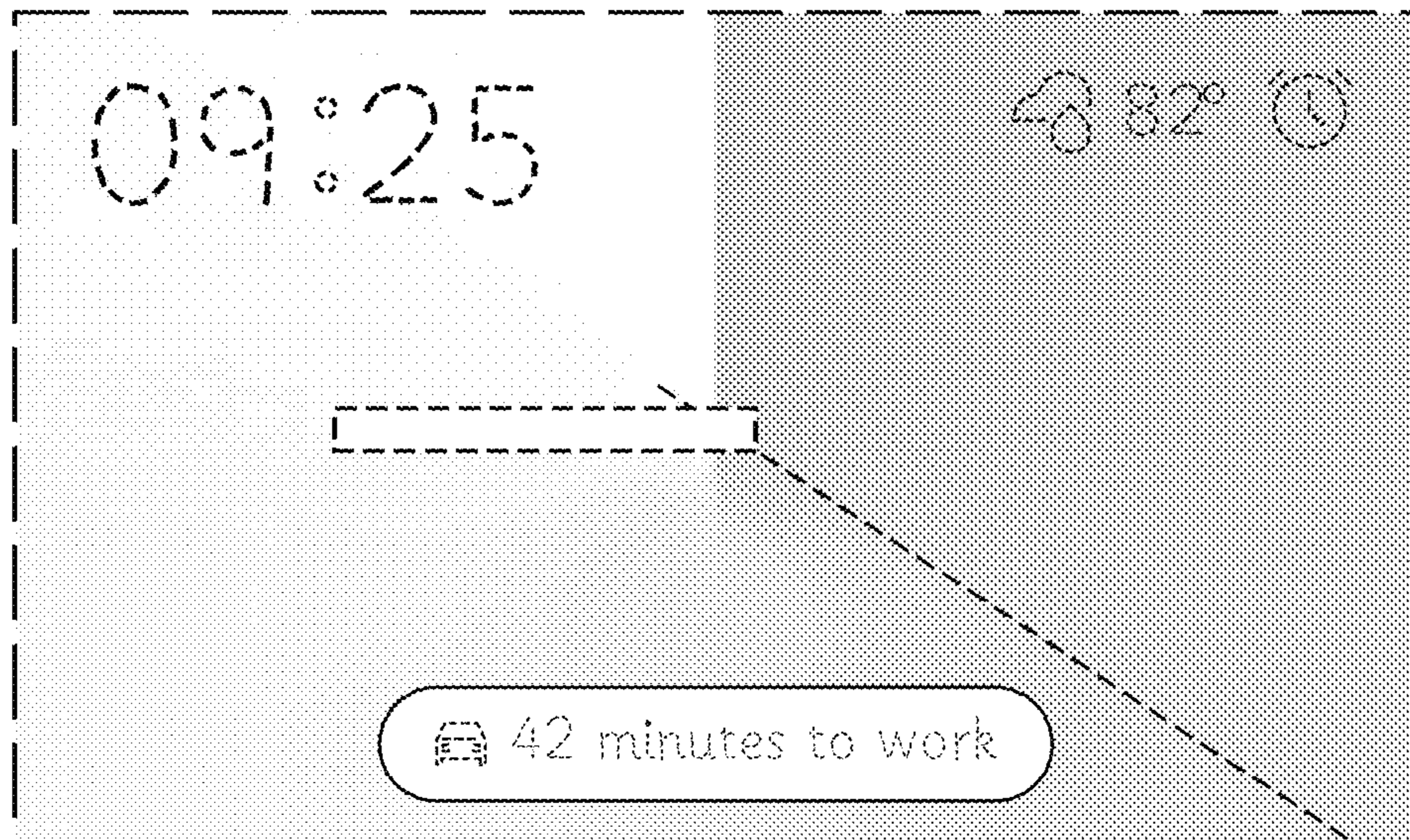


Fig. 1

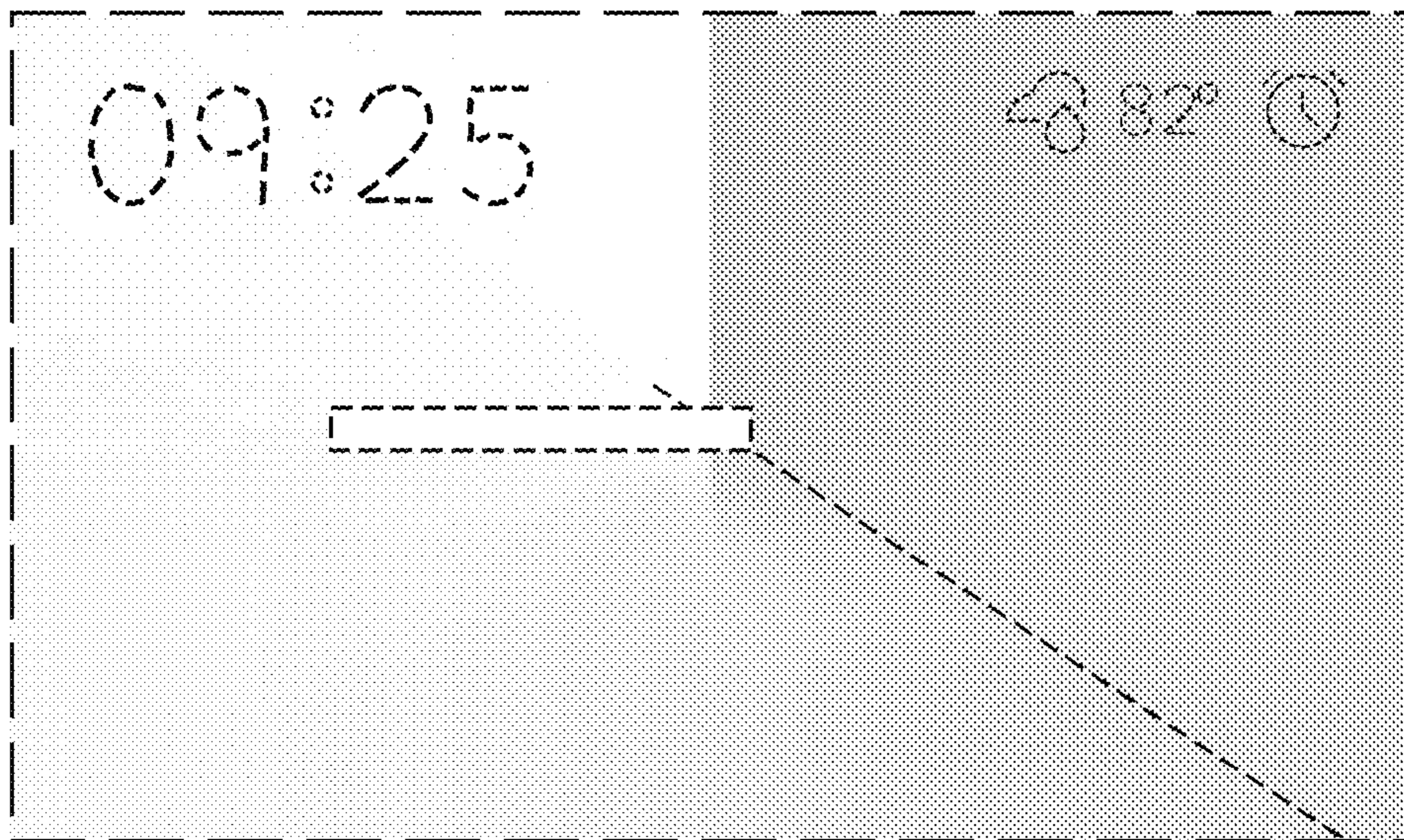


Fig. 2