



US00D925602S

(12) **United States Design Patent** (10) **Patent No.:** **US D925,602 S**  
**Xu et al.** (45) **Date of Patent:** **\*\* Jul. 20, 2021**

(54) **PORTION OF A DISPLAY HAVING A GRAPHICAL USER INTERFACE**

D729,833 S \* 5/2015 Clare ..... D14/486  
D745,895 S \* 12/2015 Clare ..... D14/495  
D752,623 S \* 3/2016 Dye ..... D14/486  
D753,678 S \* 4/2016 Clarke ..... D14/485

(71) Applicant: **Tencent Technology (Shenzhen) Company Limited**, Guangdong (CN)

(Continued)

(72) Inventors: **Dian Ping Xu**, Guangdong (CN); **Yu Geng Lin**, Guangdong (CN); **Chen Ran**, Guangdong (CN); **Jing Jing Li**, Guangdong (CN); **Hong Yang Wang**, Guangdong (CN); **Le Teng Weng**, Guangdong (CN)

*Primary Examiner* — Cary M Robinson

(74) *Attorney, Agent, or Firm* — Design IP

(73) Assignee: **Tencent Technology (Shenzhen) Company Limited**

(57) **CLAIM**

The ornamental design for a portion of a display having a graphical user interface, as shown and described.

(\*\*) Term: **15 Years**

**DESCRIPTION**

(21) Appl. No.: **29/619,613**

FIG. 1 is a front view of a first embodiment of a portion of a display having a graphical user interface showing our new design;

(22) Filed: **Sep. 29, 2017**

FIG. 2 is a front view of a second embodiment of a portion of a display having a graphical user interface showing our new design;

(30) **Foreign Application Priority Data**

Mar. 31, 2017 (CN) ..... 201730104085.2  
Mar. 31, 2017 (CN) ..... 201730104091.8

FIG. 3 is a front view of a third embodiment of a portion of a display having a graphical user interface showing our new design;

(51) **LOC (13) Cl.** ..... **14-04**

(52) **U.S. Cl.**  
USPC ..... **D14/492**

FIG. 4 is a front view of a fourth embodiment of a portion of a display having a graphical user interface showing our new design;

(58) **Field of Classification Search**  
USPC ..... D14/485–495  
CPC ..... G06F 3/0482; G06F 3/0481; G06F 3/048;  
G06F 3/04817; G06F 3/04842  
See application file for complete search history.

FIG. 5 is a front view of a fifth embodiment of a portion of a display having a graphical user interface showing our new design; and,

(56) **References Cited**

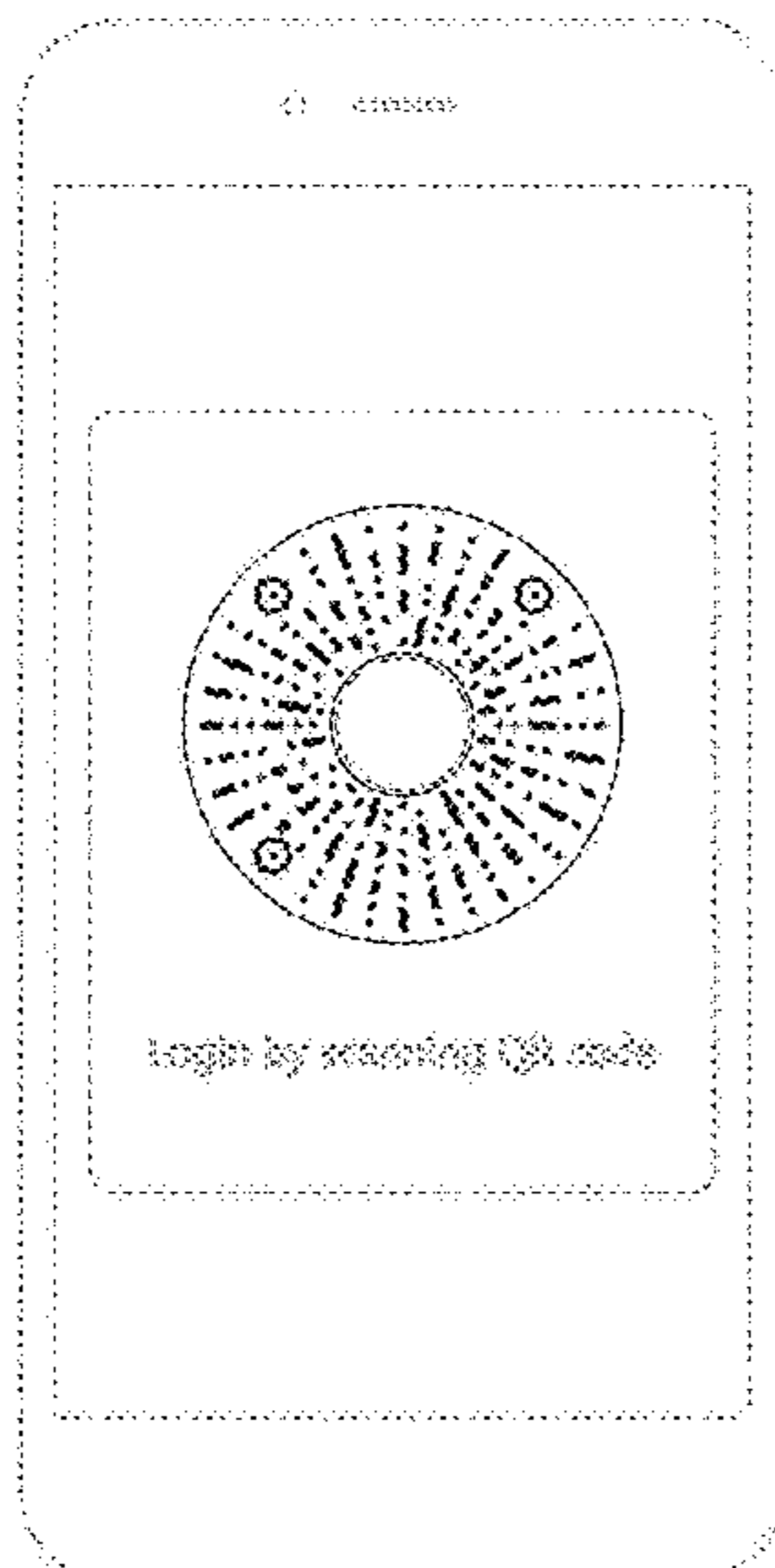
**U.S. PATENT DOCUMENTS**

D591,305 S \* 4/2009 Shimoda ..... D14/485  
D593,107 S \* 5/2009 Shimoda ..... D14/485  
D696,266 S \* 12/2013 d'Amore ..... D14/485  
D729,270 S \* 5/2015 Clare ..... D14/486

FIG. 6 is a front view of a sixth embodiment of a portion of a display having a graphical user interface showing our new design.

The outermost broken lines illustrate a mobile device, the broken line at the periphery of the figures illustrate the portion of a display screen, the remaining even-length broken lines in FIGS. 1-5 illustrate portions of the graphical user interface, and the dot-dash broken lines in FIGS. 1-6 illustrate an innermost boundary of the claimed design. None of the broken lines form part of the claimed design.

**1 Claim, 6 Drawing Sheets**



(56)

References Cited

U.S. PATENT DOCUMENTS

D759,111	S	*	6/2016	Woo	.....	D14/489
D761,273	S	*	7/2016	Kim	.....	D14/485
D761,274	S	*	7/2016	Kim	.....	D14/485
D772,238	S	*	11/2016	Hong	.....	D14/465
D789,974	S	*	6/2017	Guo	.....	D14/487
D794,675	S	*	8/2017	Liu	.....	D14/489
D806,120	S	*	12/2017	Elatta	.....	D14/490
D807,913	S	*	1/2018	Lee	.....	D14/488
D810,114	S	*	2/2018	Lee	.....	D14/486
D818,000	S	*	5/2018	Lee	.....	D14/488
D819,076	S	*	5/2018	Cho	.....	D14/489
D819,685	S	*	6/2018	Lee	.....	D14/488
D831,040	S	*	10/2018	Amini	.....	D14/485
D831,674	S	*	10/2018	Bauer	.....	D14/485
D835,632	S	*	12/2018	Liu	.....	D14/485
D840,413	S	*	2/2019	Leach	.....	D14/485
10,237,277	B2	*	3/2019	Leach	.....	H04W 12/0804
D867,334	S	*	11/2019	She	.....	D14/216
D902,248	S	*	11/2020	Vazquez	.....	D14/492
D905,754	S	*	12/2020	Lee	.....	D14/495
D906,355	S	*	12/2020	Messerly	.....	D14/486
10,917,762	B2	*	2/2021	Royer	.....	H04W 4/029
2015/0169505	A1	*	6/2015	Kim	.....	G06F 3/04845 715/269
2015/0205509	A1	*	7/2015	Scriven	.....	G04G 21/08 715/834
2016/0026345	A1	*	1/2016	Yao	.....	G06F 3/0488 715/815

\* cited by examiner

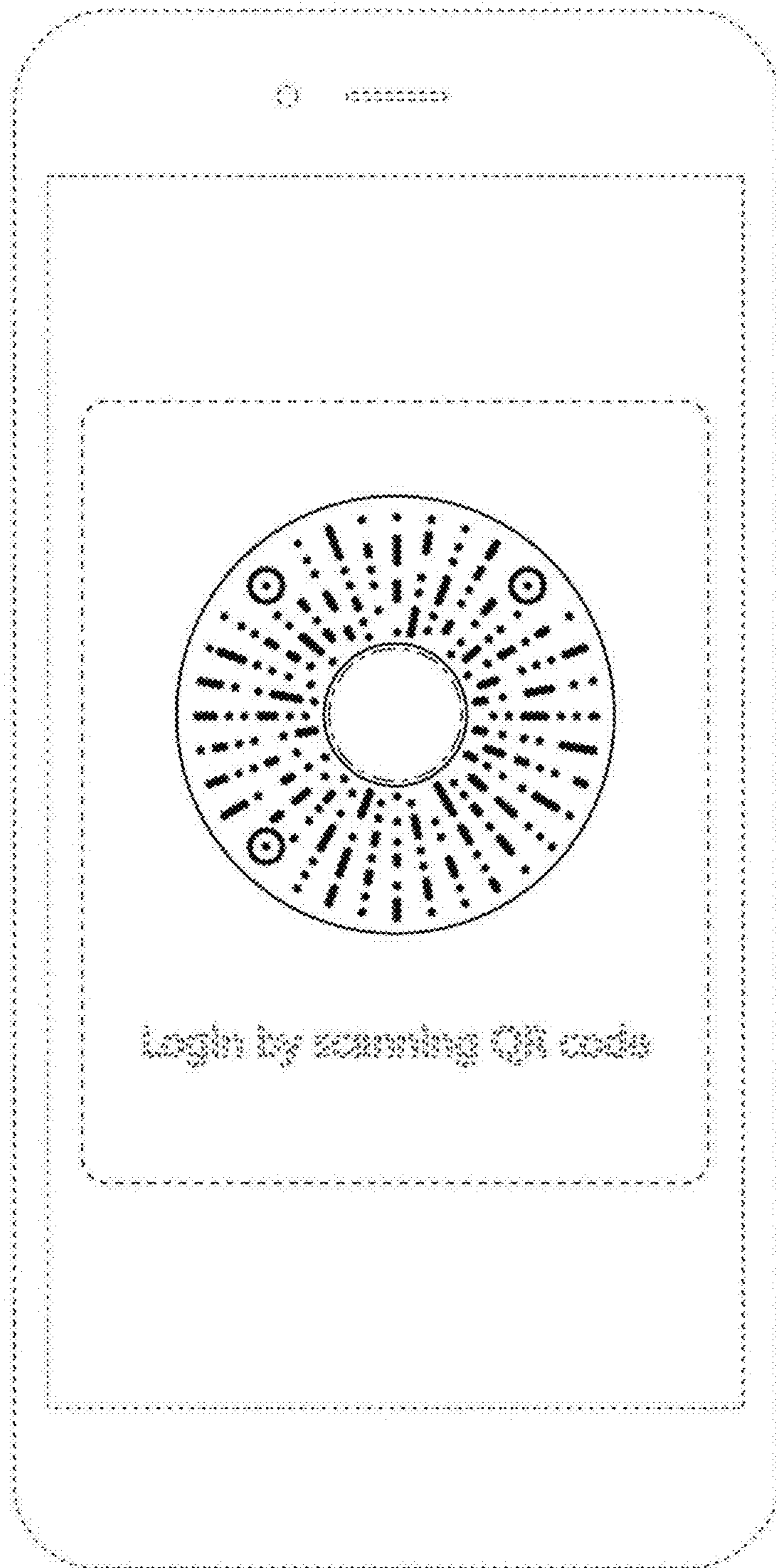


FIG. 1

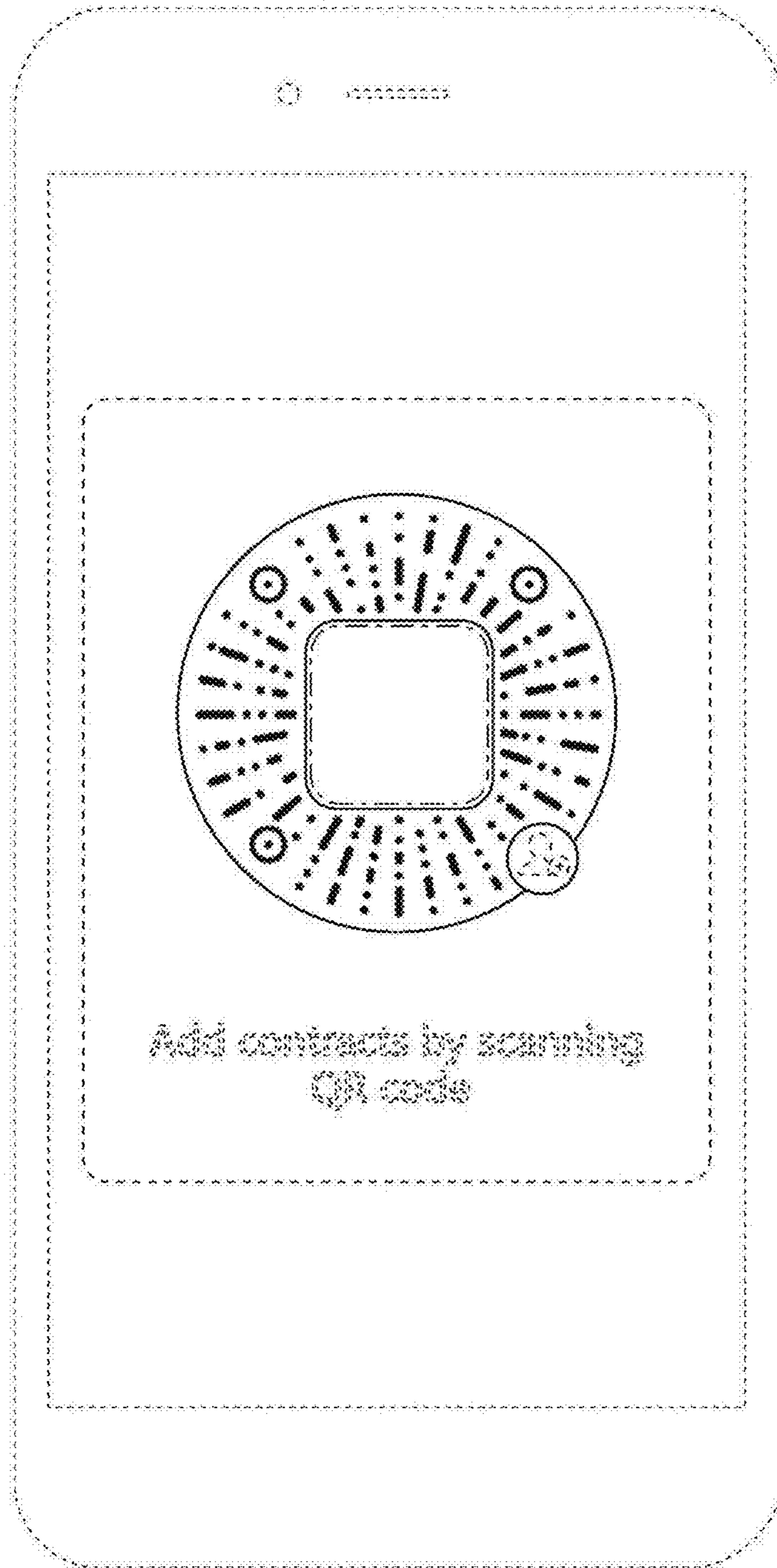


FIG. 2



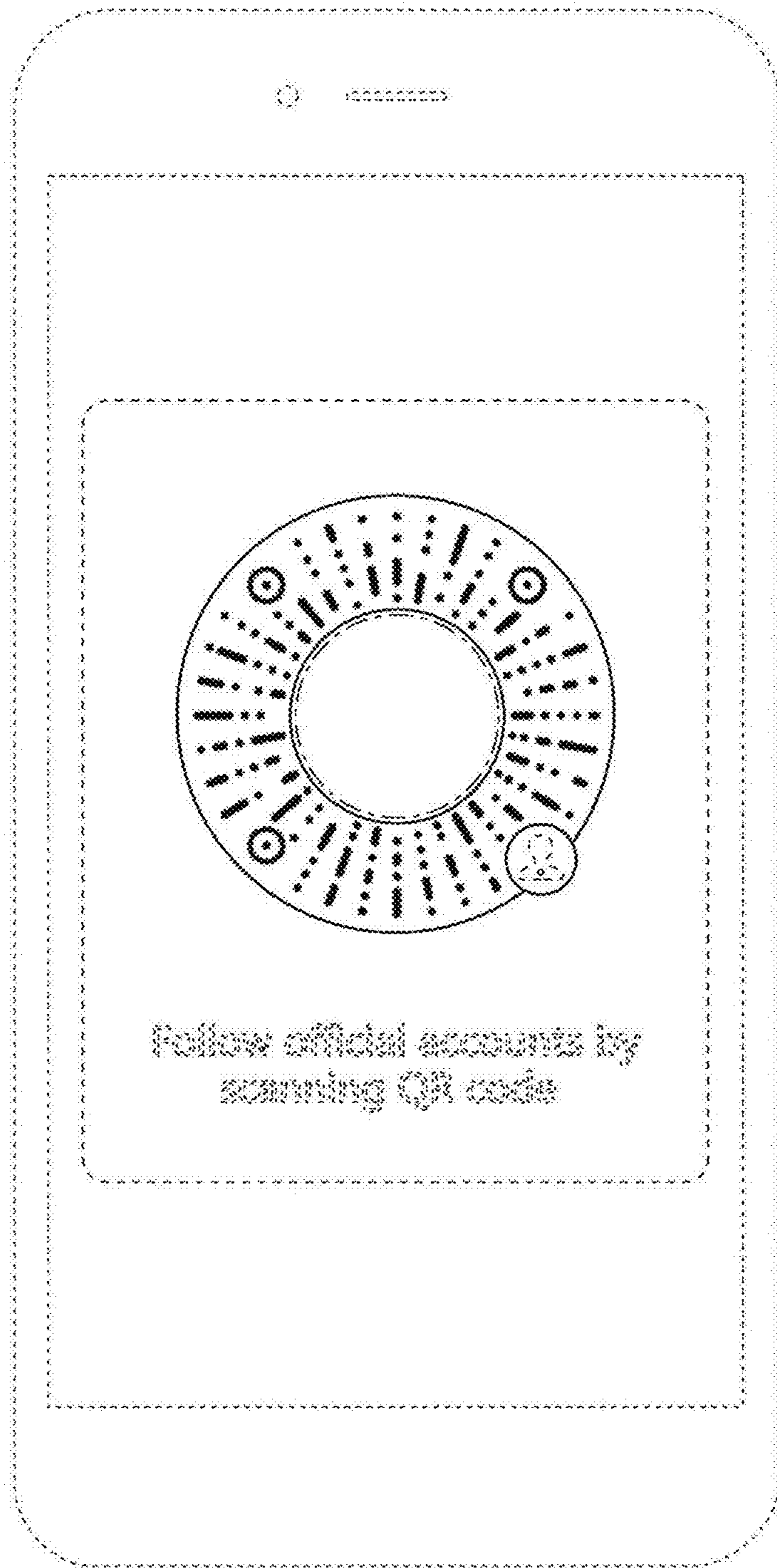


FIG. 3

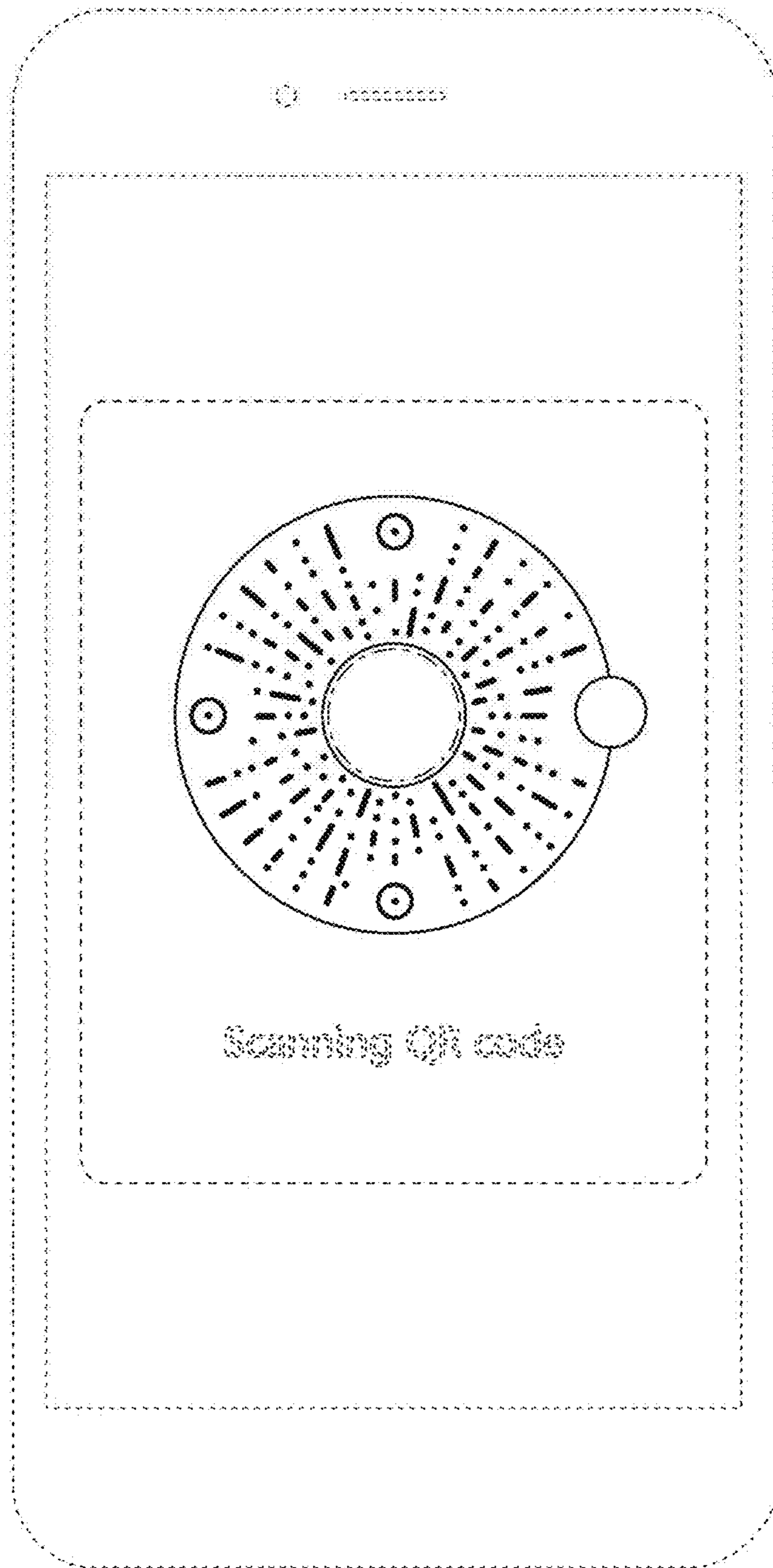


FIG. 4

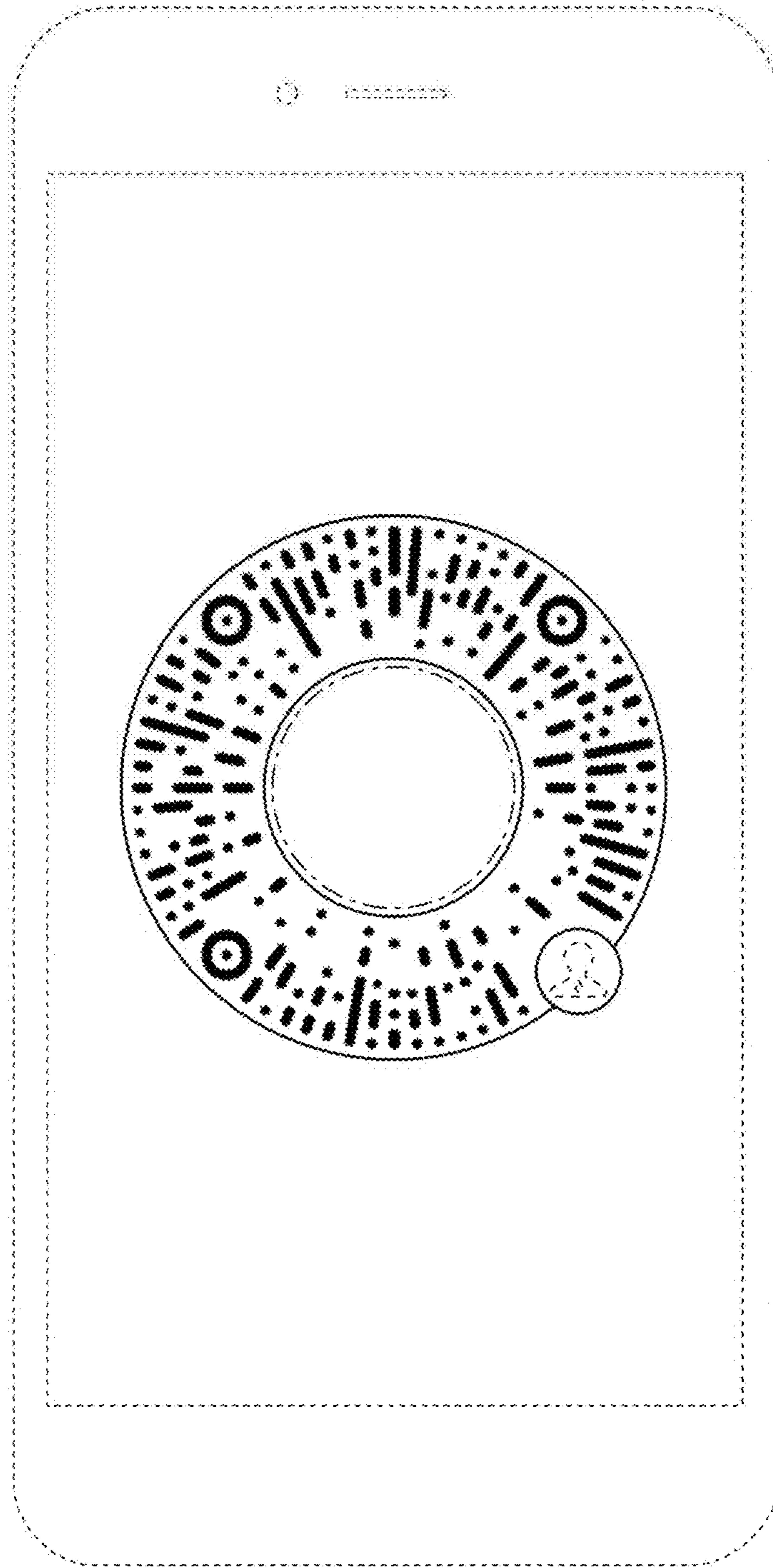


FIG. 5

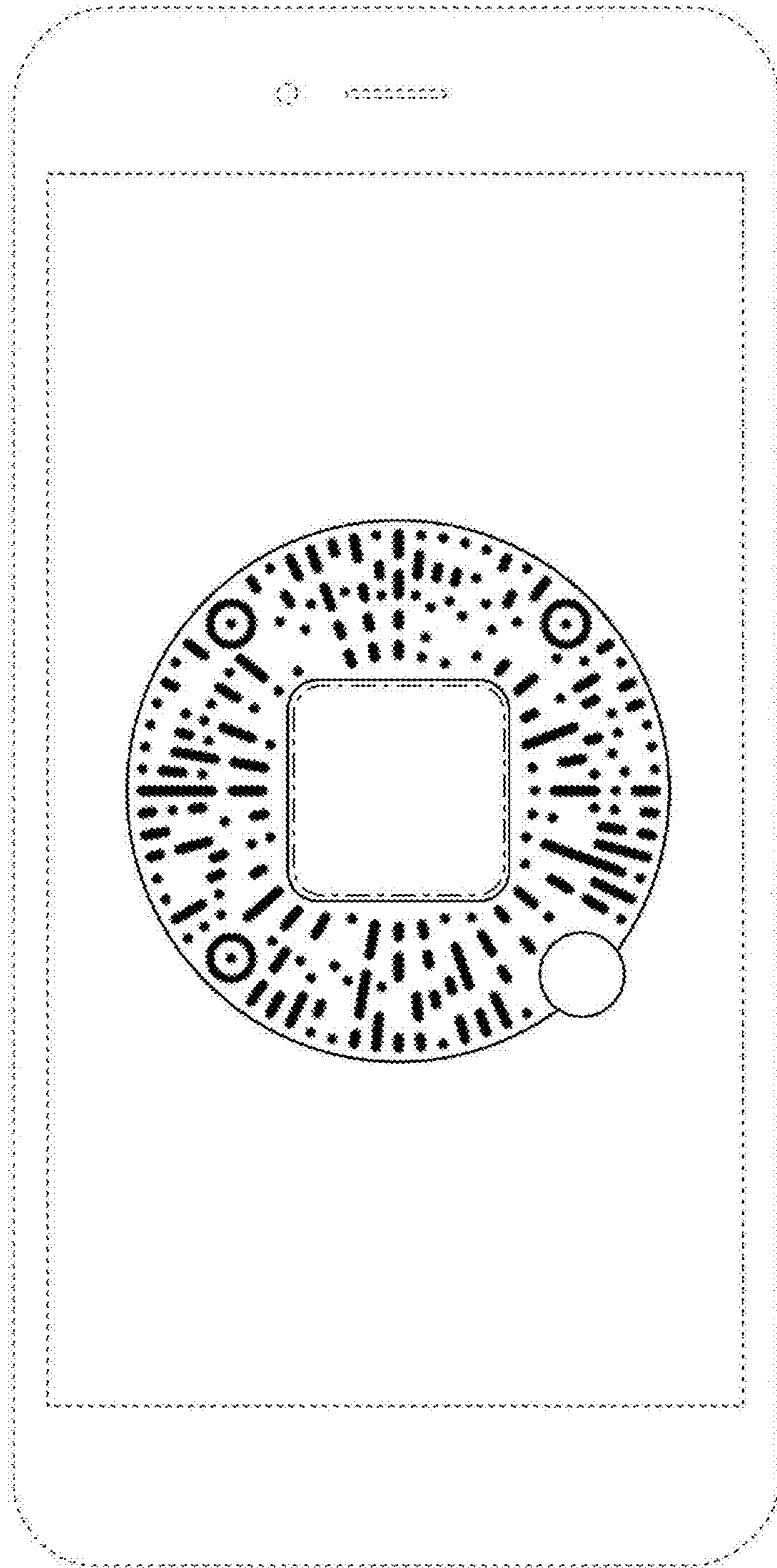


FIG. 6