



US00D925594S

(12) **United States Design Patent** (10) **Patent No.:** **US D925,594 S**
Jeong (45) **Date of Patent:** **** Jul. 20, 2021**

(54) **DISPLAY SCREEN OR PORTION THEREOF WITH GRAPHICAL USER INTERFACE**

(71) Applicant: **MOVEFAST Company, Inc.**, Tokyo (JP)

(72) Inventor: **Ji Eun Jeong**, Seoul (KR)

(73) Assignee: **MOVEFAST Company, Inc.**, Tokyo (JP)

(**) Term: **15 Years**

(21) Appl. No.: **29/721,674**

(22) Filed: **Jan. 22, 2020**

(30) **Foreign Application Priority Data**

Jul. 25, 2019 (KR) 30-2019-0035811

(51) **LOC (13) Cl.** **14-04**

(52) **U.S. Cl.**
USPC **D14/488**

(58) **Field of Classification Search**
USPC D14/485-495; D20/11; D21/324, 325
CPC G06F 3/048; G06F 3/0481; G06F 3/04817;
G06F 3/0482; G06F 3/0483; G06F
3/04842; G06F 3/0485; G06F 3/04855;
G06F 3/0486; G06F 3/0488; G06F
3/04886; G06F 9/4443; G06F 13/00;
G06F 17/211; G06F 17/212; G06F
21/6245; H04L 12/282
See application file for complete search history.

(56) **References Cited**

U.S. PATENT DOCUMENTS

D607,895 S * 1/2010 Marashi D14/486
D754,700 S * 4/2016 Lee D14/486
D779,515 S * 2/2017 Pierson D14/486

D789,956 S * 6/2017 Ortega D14/486
D795,921 S * 8/2017 Bhatti D14/488
D800,755 S * 10/2017 De Cock D14/486
D802,607 S * 11/2017 Apodaca D14/485
10,263,802 B2 * 4/2019 Burns H04L 12/282
D858,552 S * 9/2019 Westerhold D14/486
D859,445 S * 9/2019 Clediere D14/486
D875,133 S * 2/2020 Wang D14/488
2014/0223329 A1 * 8/2014 Falaki G06F 13/00
715/747
2014/0283142 A1 * 9/2014 Shepherd G06F 21/6245
726/30

OTHER PUBLICATIONS

“Hakuna Live—Meet, Chat and Play Live App Download For Android and iPhone” Dec. 20, 2019, posted at activeapk.com, [site visited Apr. 6, 2021]. <https://activeapk.com/hakuna-live-meet-chat-and-play-live-app-download-for-android-and-iphone> (Year: 2019).*

(Continued)

Primary Examiner — John M Otte

(74) *Attorney, Agent, or Firm* — Marshall, Gerstein & Borun LLP

(57) **CLAIM**

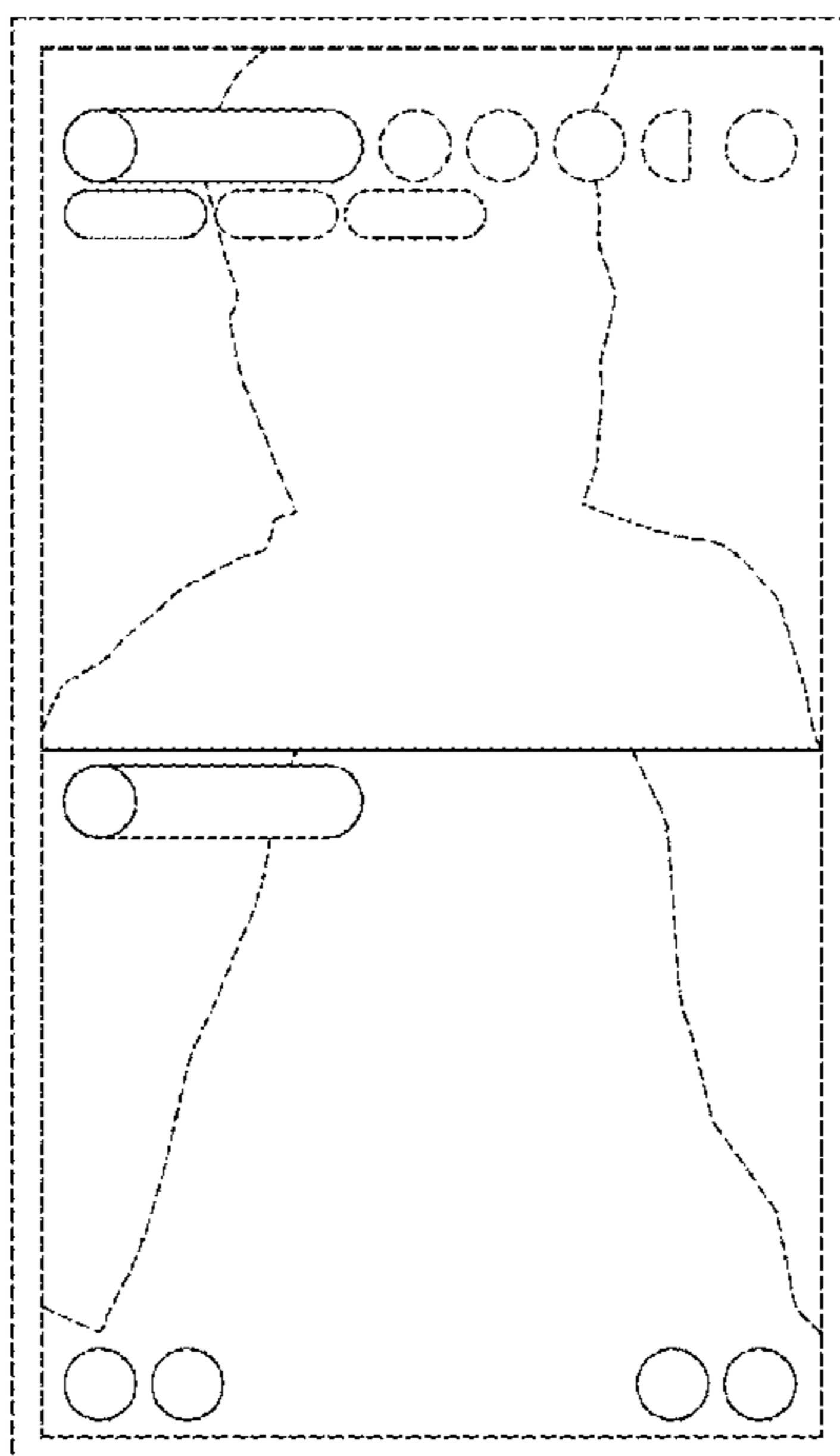
The ornamental design for a display screen or portion thereof with graphical user interface, as shown and described.

DESCRIPTION

The FIGURE is a front view of a display screen or portion thereof with graphical user interface showing the new design.

The outer perimeter, illustrated in the FIGURE by a pair of broken lines, illustrates a display screen or portion thereof and forms no part of the claimed design. The remaining broken lines in the drawings illustrate portions of the graphical user interface that form no part of the claimed design.

1 Claim, 1 Drawing Sheet



(56)

References Cited

OTHER PUBLICATIONS

“Gogo.Live Live Streaming & Chat” Sep. 11, 2017, posted at apkpure.com, [site visited Apr. 6, 2021]. <https://apkpure.com/gogo-live-live-streaming-chat/com.f2f.Gogo.Live> (Year: 2017).*

“Live Stream Video Chat—StarMe” Apr. 25, 2017, posted at play.google.com, [site visited Apr. 6, 2021]. <https://web.archive.org/web/20170428161029/https://play.google.com/store/apps/details?id=th.media.itsme> (Year: 2017).*

Office Action dated Feb. 14, 2020 of Korean Design Application No. 30-2019-0035811.

Instagram, Jae Hyup on Instragram. (Jul. 22, 2019). <https://www.instagram.com/p/B0NsKclF0Pe> (retrieved May 20, 2020).

* cited by examiner

