



US00D925549S

(12) **United States Design Patent**
Cran et al.

(10) **Patent No.:** **US D925,549 S**

(45) **Date of Patent:** **** Jul. 20, 2021**

(54) **DATA STORAGE DEVICE**

(71) Applicant: **MAKE GREAT SALES LIMITED,**
Wanchai (HK)

(72) Inventors: **Bruce Peter Cran,** Ho Chi Minh (VN);
Kin Choi Lee, Wanchai (HK)

(73) Assignee: **MAKE GREAT SALES LIMITED,**
Hong Kong (HK)

(**) Term: **15 Years**

(21) Appl. No.: **29/718,695**

(22) Filed: **Dec. 27, 2019**

(51) **LOC (13) Cl.** **14-03**

(52) **U.S. Cl.**
USPC **D14/480.5**

(58) **Field of Classification Search**
USPC D14/480.1–480.7, 435.1, 411, 433, 436,
D14/484.1, 137, 155, 203.1–203.8, 240,
D14/242; D13/133, 154
CPC H05K 5/0278; G06K 19/07732
See application file for complete search history.

(56) **References Cited**

U.S. PATENT DOCUMENTS

D620,017 S *	7/2010	Lo	D14/480.7
D620,946 S *	8/2010	Lo	D14/480.5
D624,551 S *	9/2010	Cohen	D14/480.5
D673,164 S *	12/2012	Lin	D14/480.5
D677,266 S *	3/2013	Chen	D14/480.5
D677,672 S *	3/2013	Lin	D14/480.7

D687,443 S *	8/2013	Chen	D14/480.5
D724,602 S *	3/2015	Lin	D14/480.5
D725,123 S *	3/2015	Lin	D14/480.5
D774,038 S *	12/2016	Emami	D14/480.1
D864,214 S *	10/2019	Kombo	D14/480.5
D885,407 S *	5/2020	Zhou	D14/480.7
D892,812 S *	8/2020	Cran	D14/480.7

* cited by examiner

Primary Examiner — Angela J Lee

(74) *Attorney, Agent, or Firm* — Onello & Mello, LLP

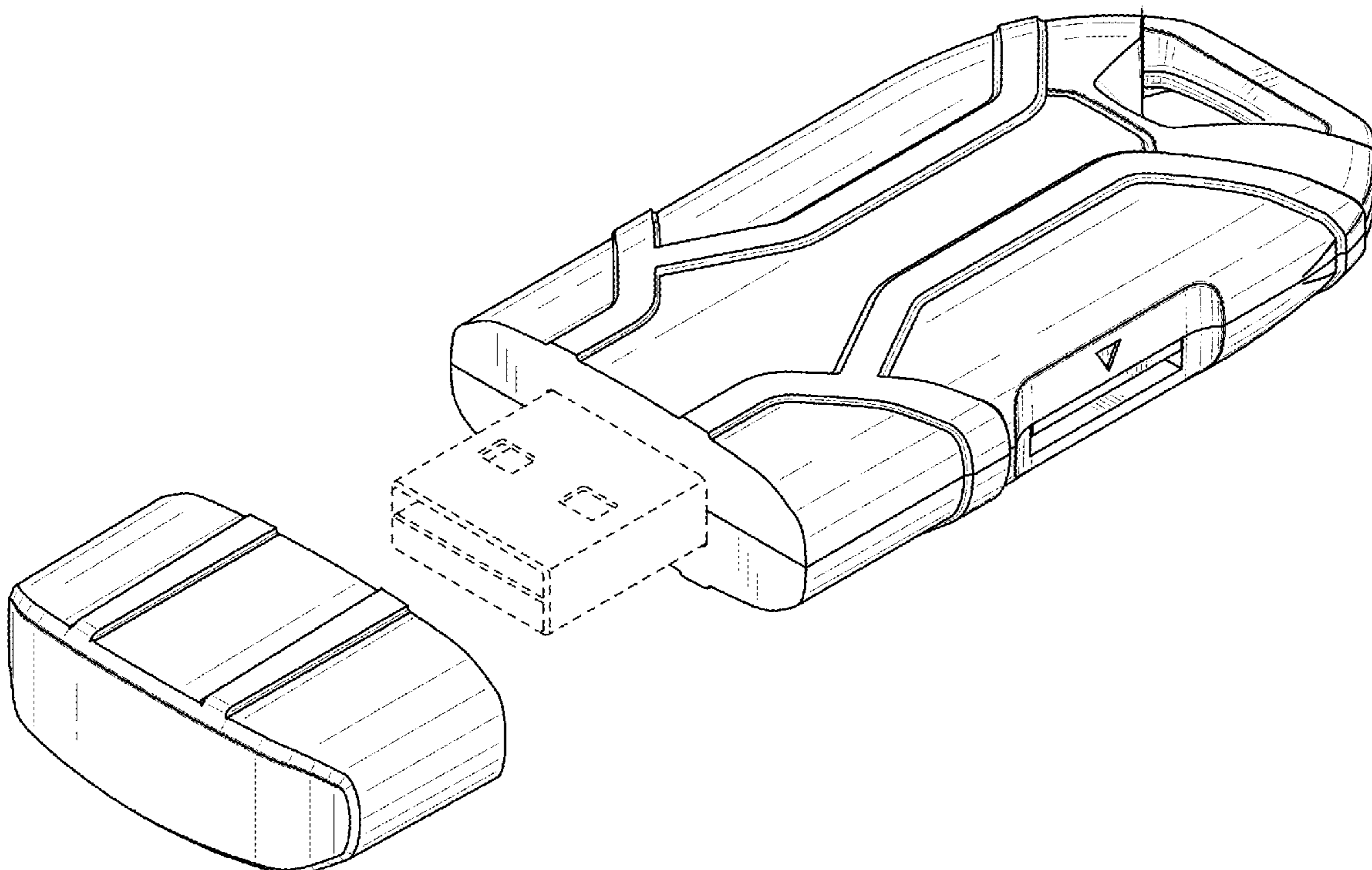
(57) **CLAIM**

The ornamental design for a data storage device, as shown and described.

DESCRIPTION

FIG. 1 is a top isometric view of a data storage device, in accordance with our design;
 FIG. 2 is an exploded top isometric view of a data storage device of FIG. 1;
 FIG. 3 is a bottom isometric view of the data storage device of FIG. 1;
 FIG. 4 is a right side view of the data storage device of FIG. 1;
 FIG. 5 is a left side view of the data storage device of FIG. 1;
 FIG. 6 is a top view of the data storage device of FIG. 1;
 FIG. 7 is a bottom view of the data storage device of FIG. 1;
 FIG. 8 is a front view of the data storage device of FIG. 1;
 and,
 FIG. 9 is a rear view of the data storage device of FIG. 1.

1 Claim, 6 Drawing Sheets



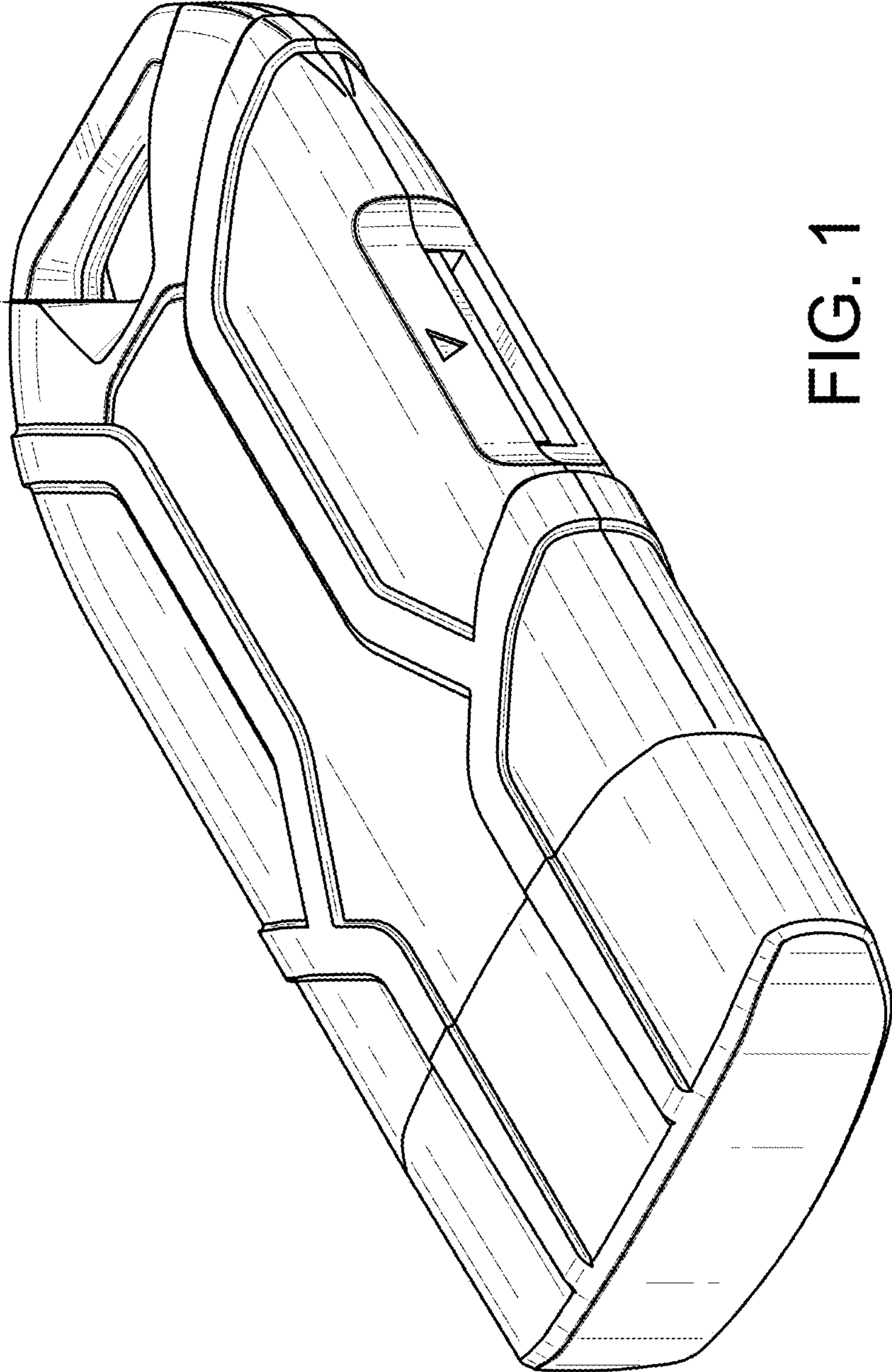


FIG. 1

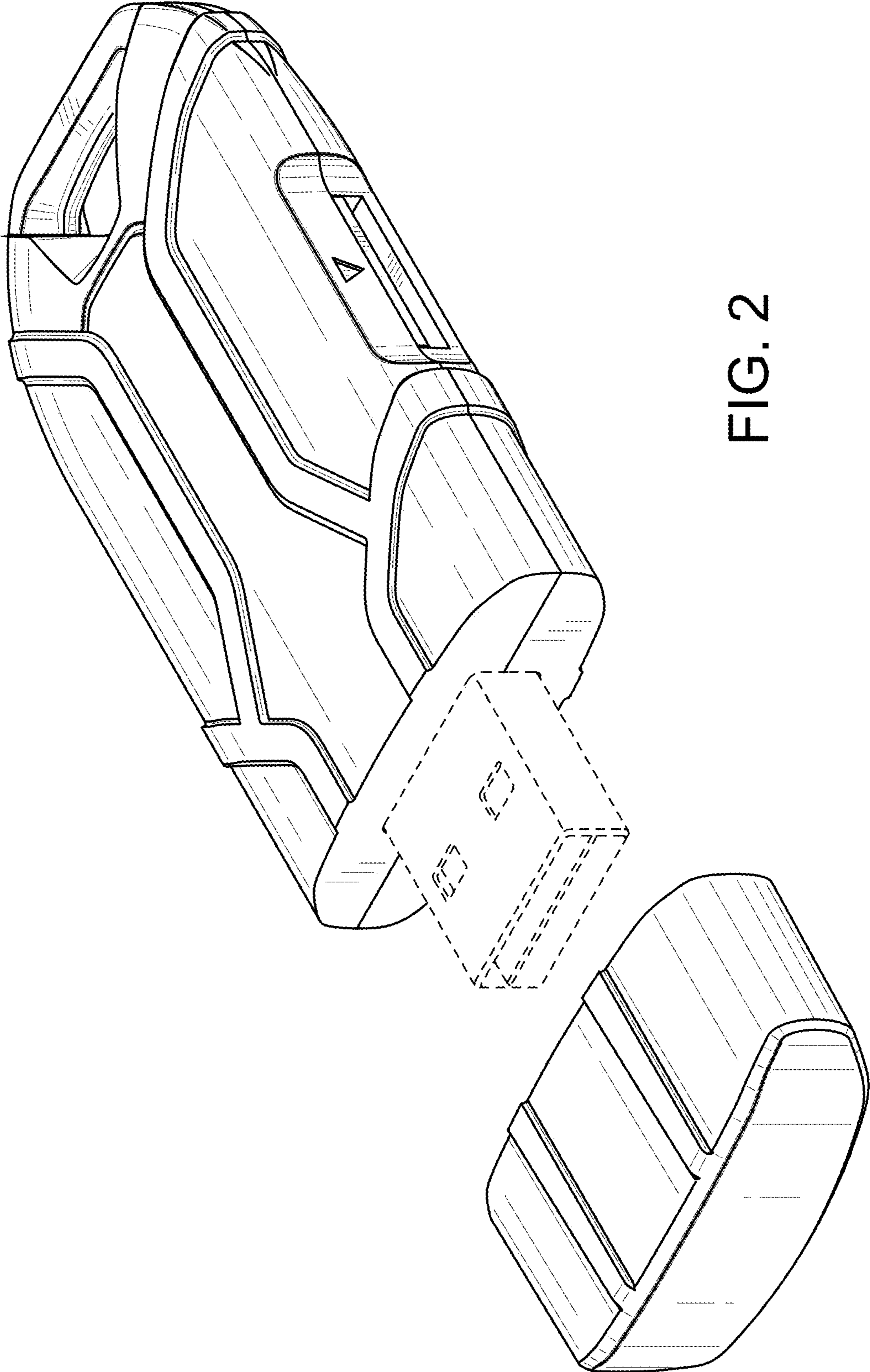


FIG. 2

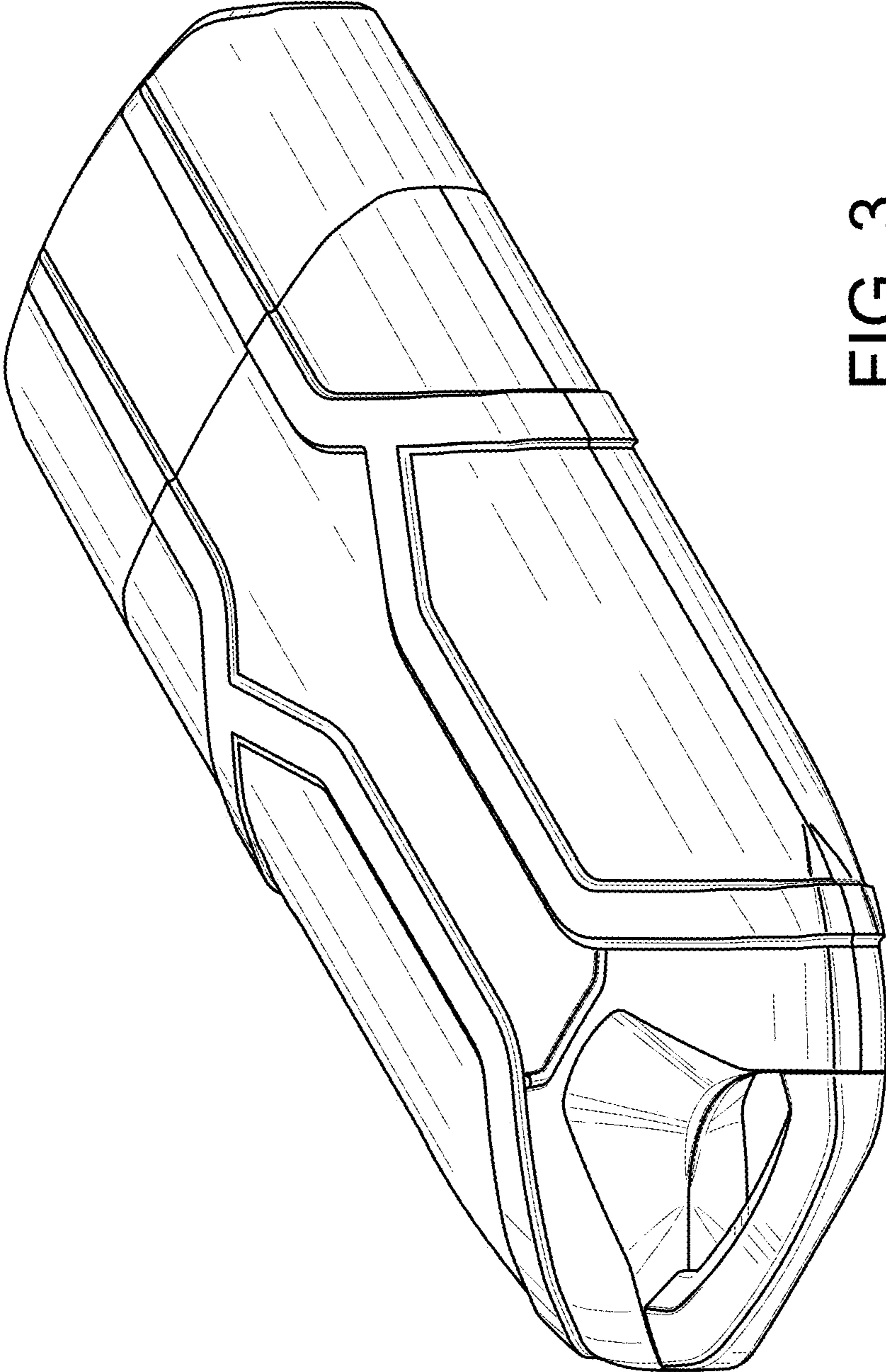


FIG. 3

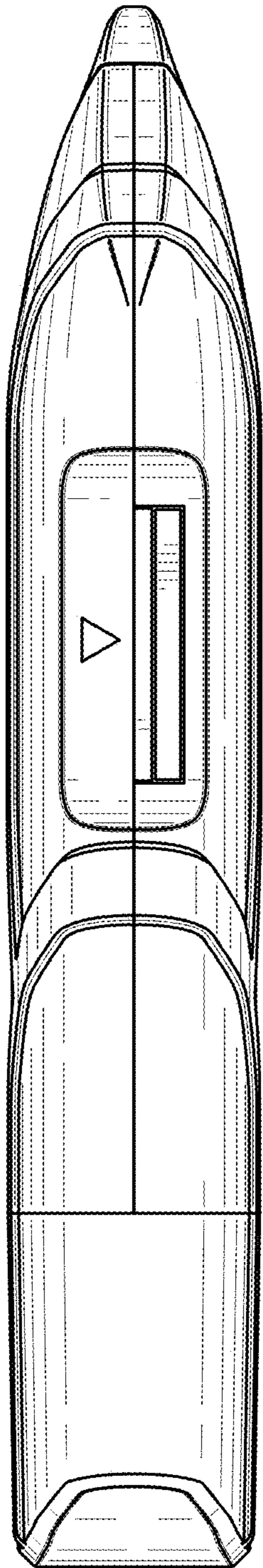


FIG. 4

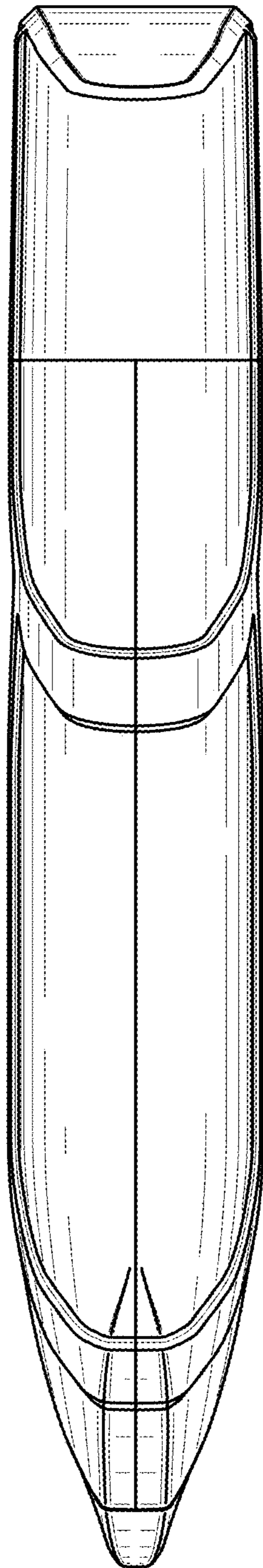


FIG. 5

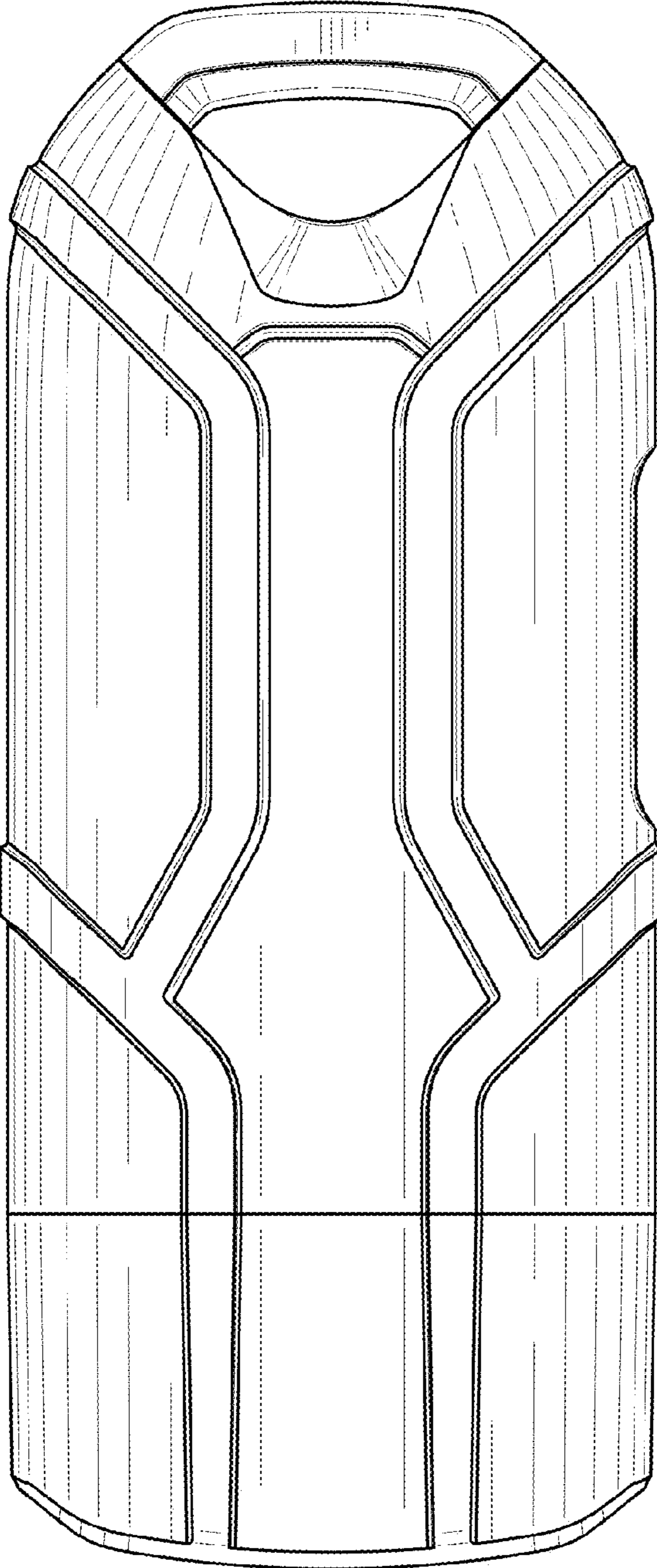


FIG. 6

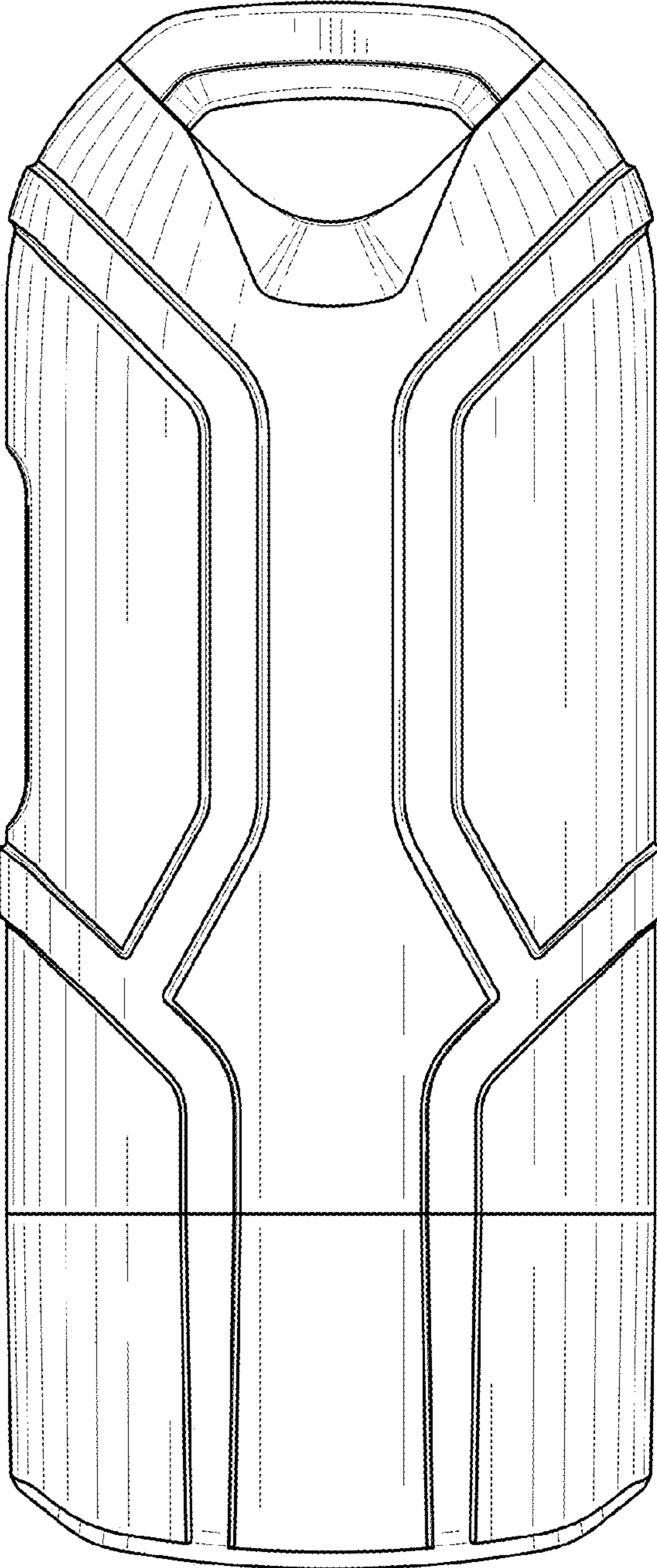


FIG. 7

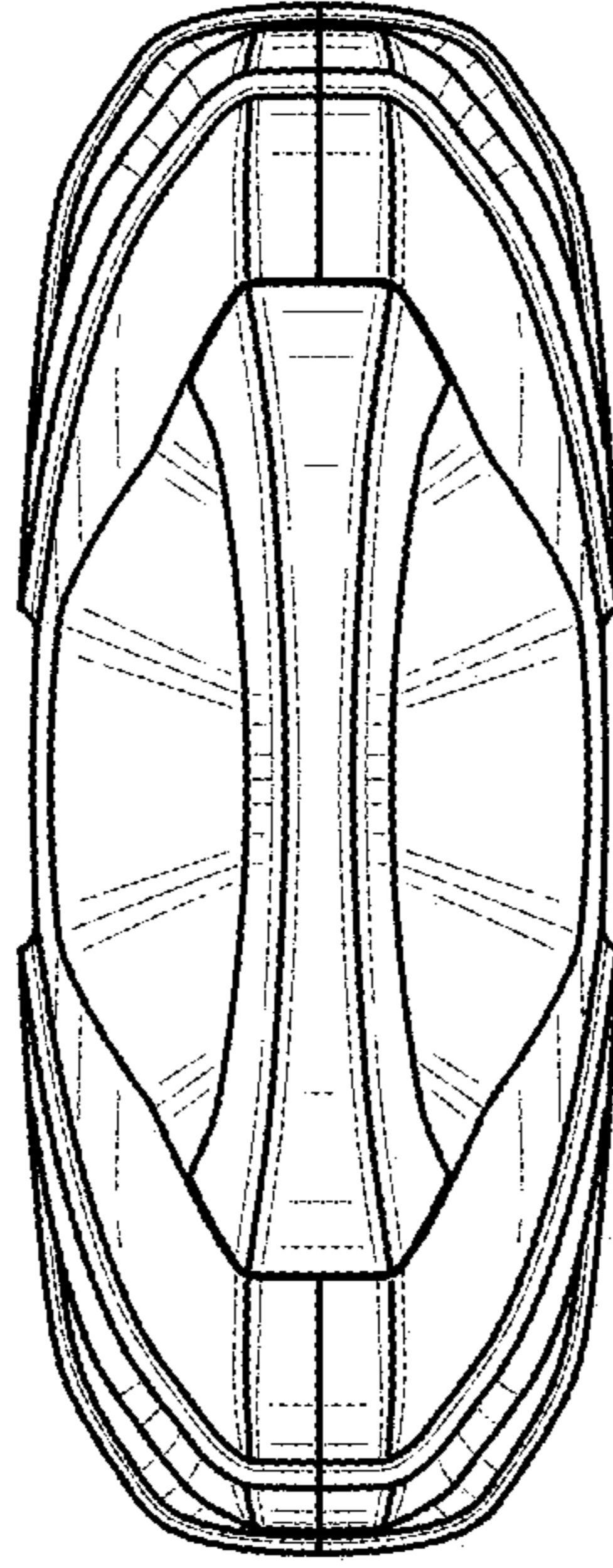


FIG. 9

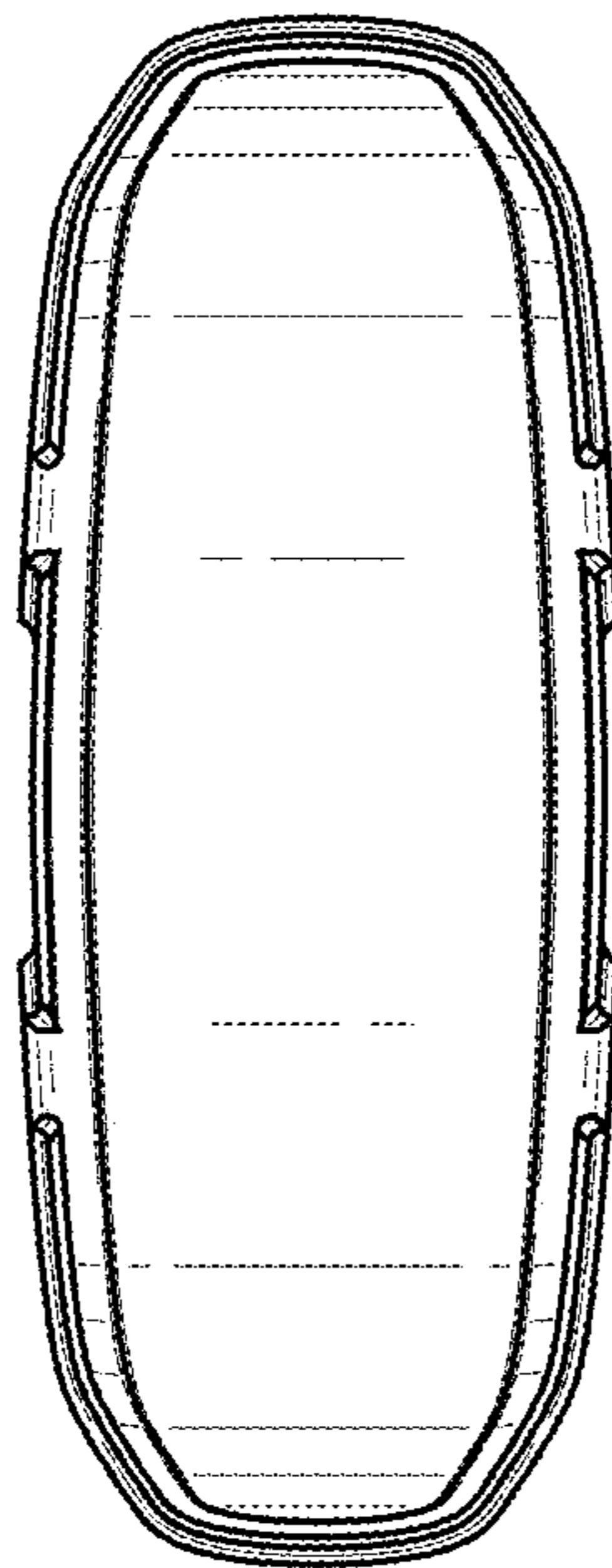


FIG. 8