



US00D925545S

(12) **United States Design Patent**  
**Chen**

(10) **Patent No.:** **US D925,545 S**

(45) **Date of Patent:** **\*\* Jul. 20, 2021**

(54) **LAPTOP STAND**

(71) Applicant: **Yanheng Chen**, Shenzhen (CN)

(72) Inventor: **Yanheng Chen**, Shenzhen (CN)

(\*\*) Term: **15 Years**

(21) Appl. No.: **29/763,792**

(22) Filed: **Dec. 24, 2020**

(51) **LOC (13) Cl.** ..... **08-07**

(52) **U.S. Cl.**  
USPC ..... **D14/447**

(58) **Field of Classification Search**

USPC ..... D14/447, 432, 434, 439, 440, 451, 452,  
D14/457, 239, 253; D8/363, 373, 380;  
D6/406.3, 406.4, 406.5, 406.6; D12/415  
CPC ..... A47B 21/04; A47B 2097/006; A47B  
2097/005; A47B 2023/049; A45C  
2011/002; A45C 2011/003; F16M  
2200/00; F16M 13/00

See application file for complete search history.

(56) **References Cited**

**U.S. PATENT DOCUMENTS**

|              |         |                  |         |
|--------------|---------|------------------|---------|
| D576,168 S * | 9/2008  | Ostroff .....    | D14/447 |
| D676,853 S * | 2/2013  | Gengler .....    | D14/447 |
| D692,010 S * | 10/2013 | Verghese .....   | D14/447 |
| D708,187 S   | 7/2014  | Xiang .....      |         |
| D749,596 S * | 2/2016  | Khodapanah ..... | D14/447 |
| D784,996 S * | 4/2017  | Fafard .....     | D14/447 |
| D798,871 S * | 10/2017 | Avganim .....    | D14/447 |
| D829,215 S * | 9/2018  | Magargee .....   | D14/447 |
| D833,448 S * | 11/2018 | Kilkenny .....   | D14/447 |

|              |         |                    |         |
|--------------|---------|--------------------|---------|
| D857,025 S * | 8/2019  | Guerrero, Jr. .... | D14/447 |
| D903,688 S * | 12/2020 | Hong .....         | D14/447 |
| D906,347 S * | 12/2020 | Yang .....         | D14/447 |
| D907,640 S * | 1/2021  | Huang .....        | D14/447 |

\* cited by examiner

*Primary Examiner* — Angela J Lee

(57) **CLAIM**

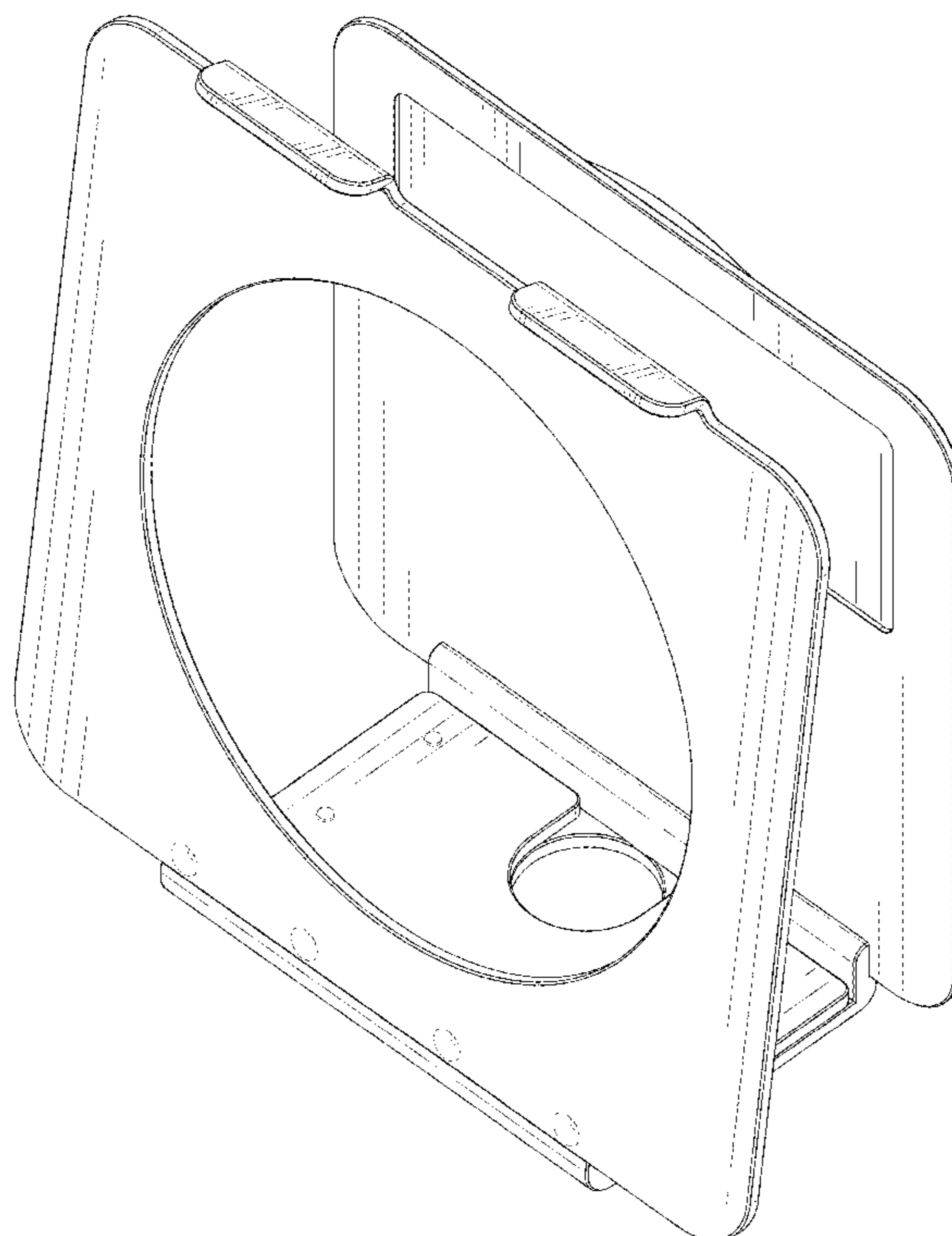
The ornamental design for a laptop stand, as shown and described.

**DESCRIPTION**

FIG. 1 is a front and top perspective view of a laptop stand, showing my new design;  
FIG. 2 is a rear and bottom perspective view thereof;  
FIG. 3 is a front elevational view thereof;  
FIG. 4 is a rear elevational view thereof;  
FIG. 5 is a left side elevational view thereof;  
FIG. 6 is a right side elevational view thereof;  
FIG. 7 is a top plan view thereof;  
FIG. 8 is a bottom plan view thereof; and,  
FIG. 9 is an enlarged view of a portion labeled, 'FIG. 9' in FIG. 2.

The broken lines in the figures illustrate portions of the article that form no part of the claimed design. The dash dot dash lines in FIGS. 2 and 9 are for the purpose of depicting the cut line of the enlarged view and form no part of the claim.

**1 Claim, 9 Drawing Sheets**



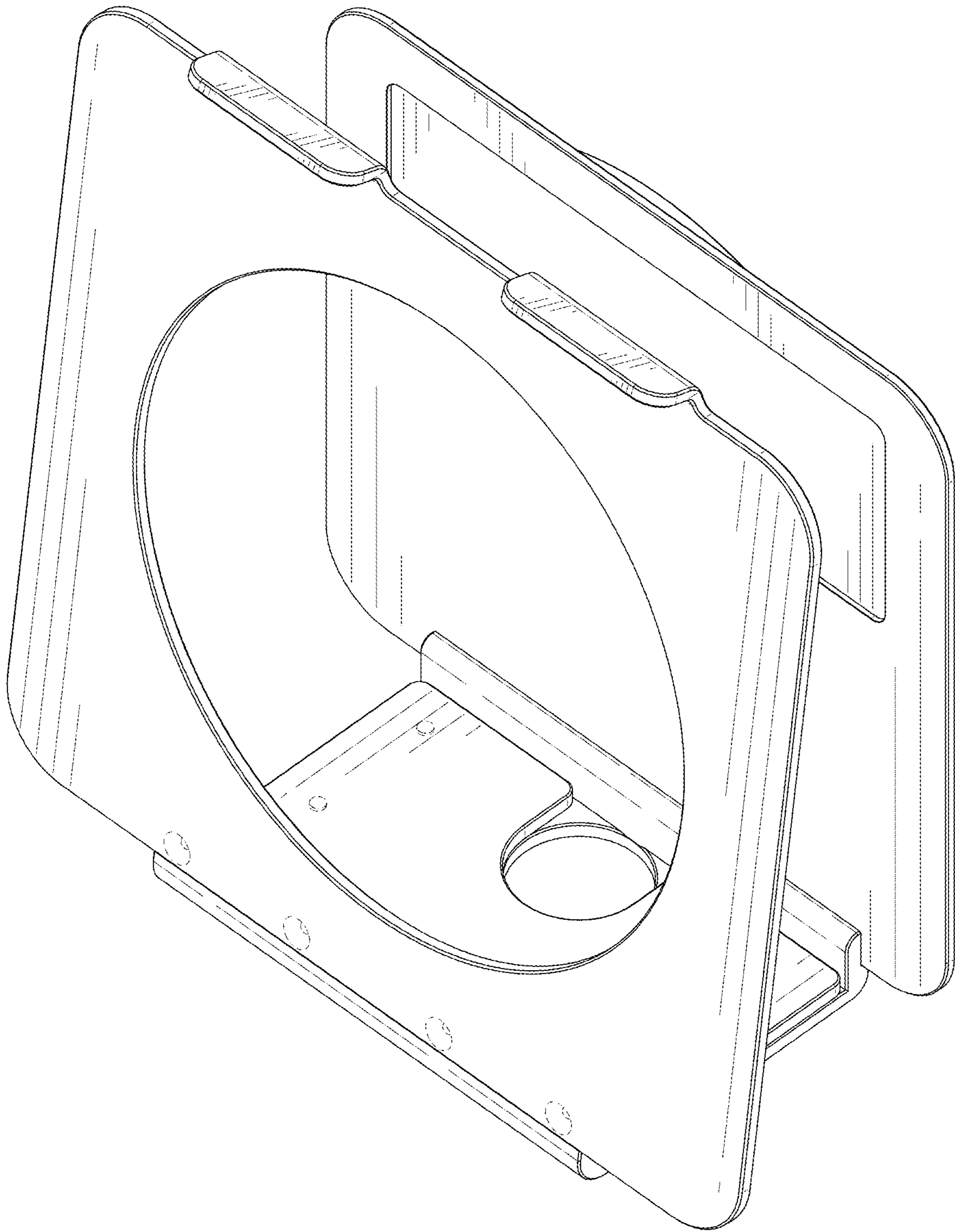


FIG. 1

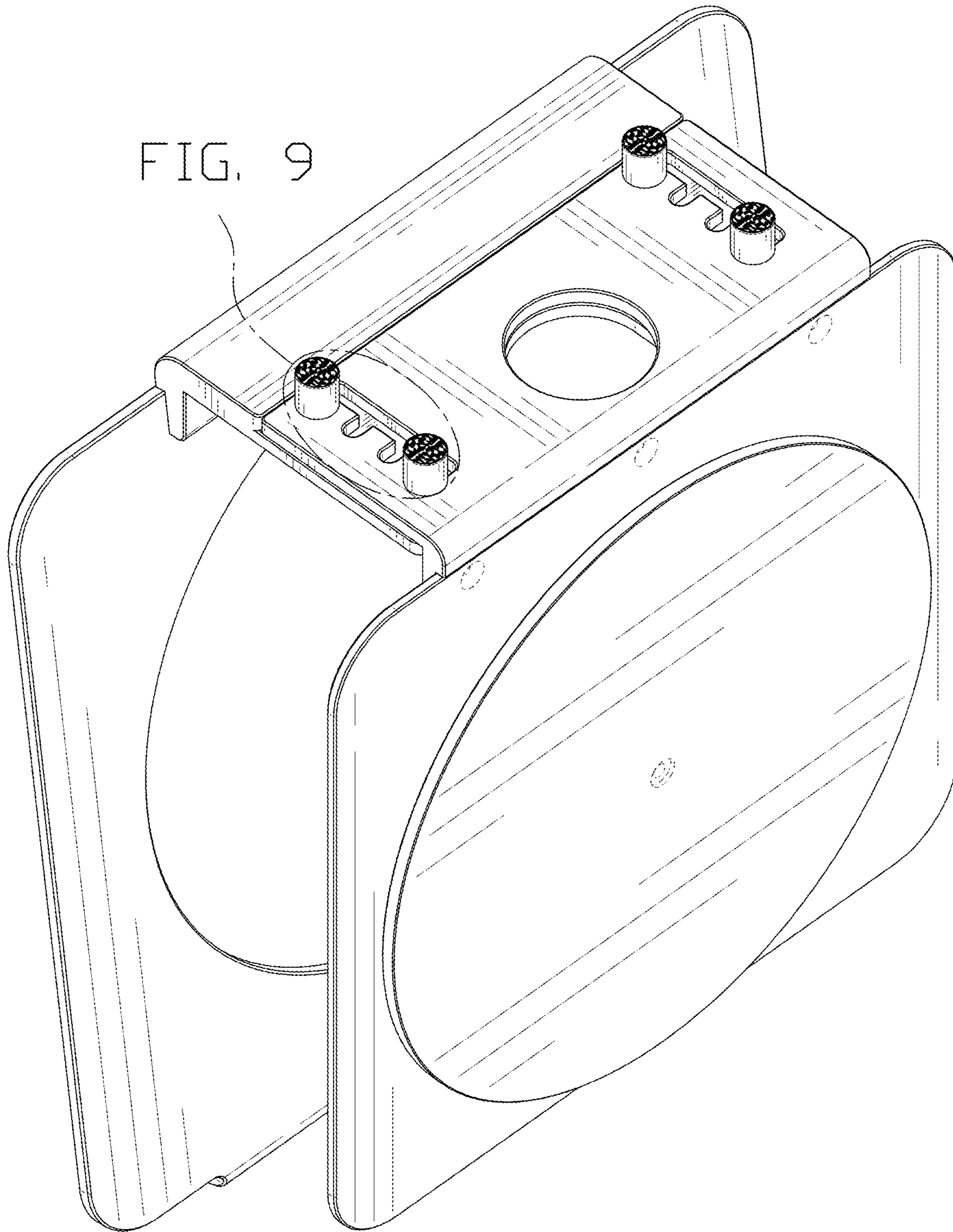


FIG. 9

FIG. 2

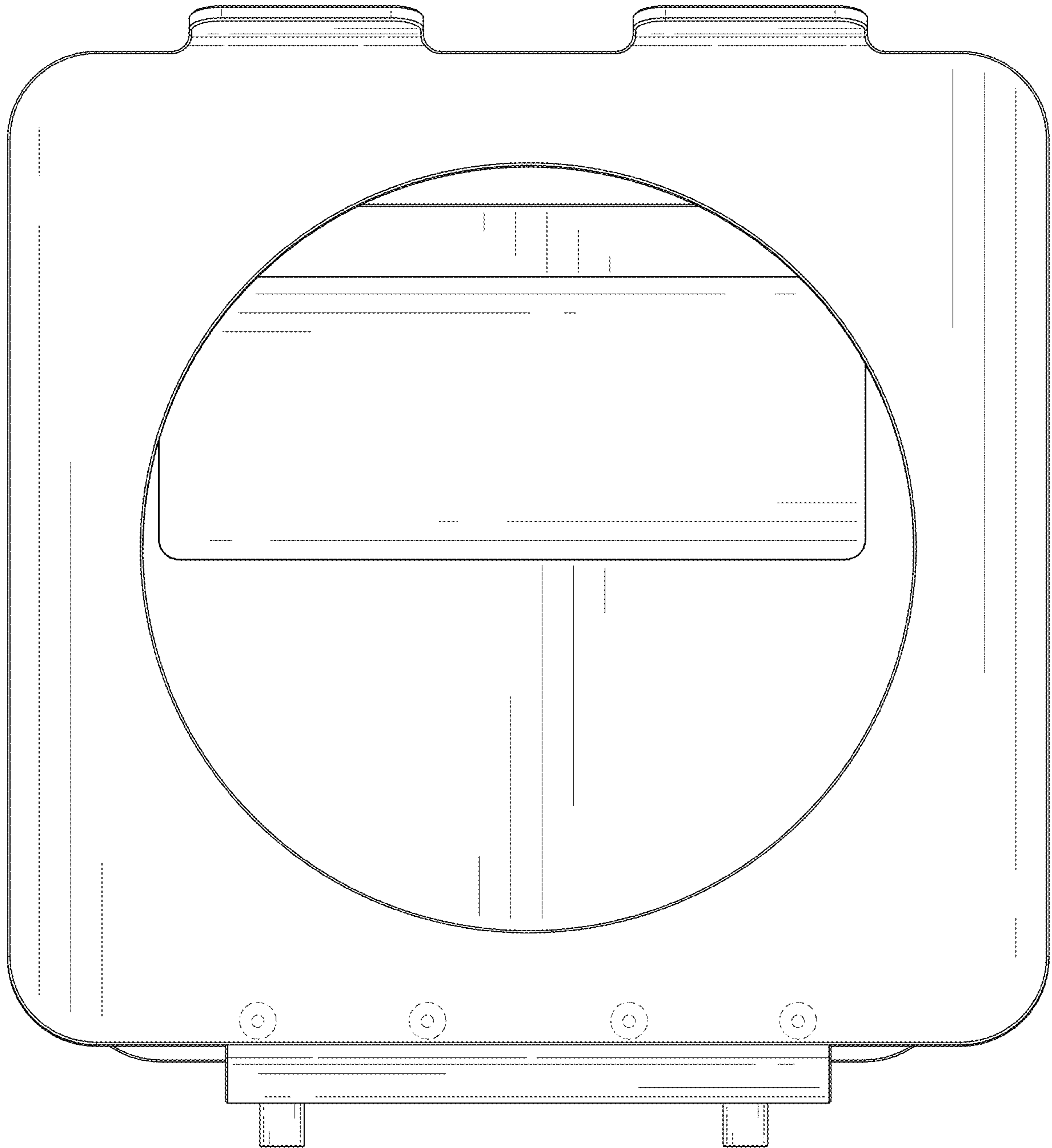


FIG. 3

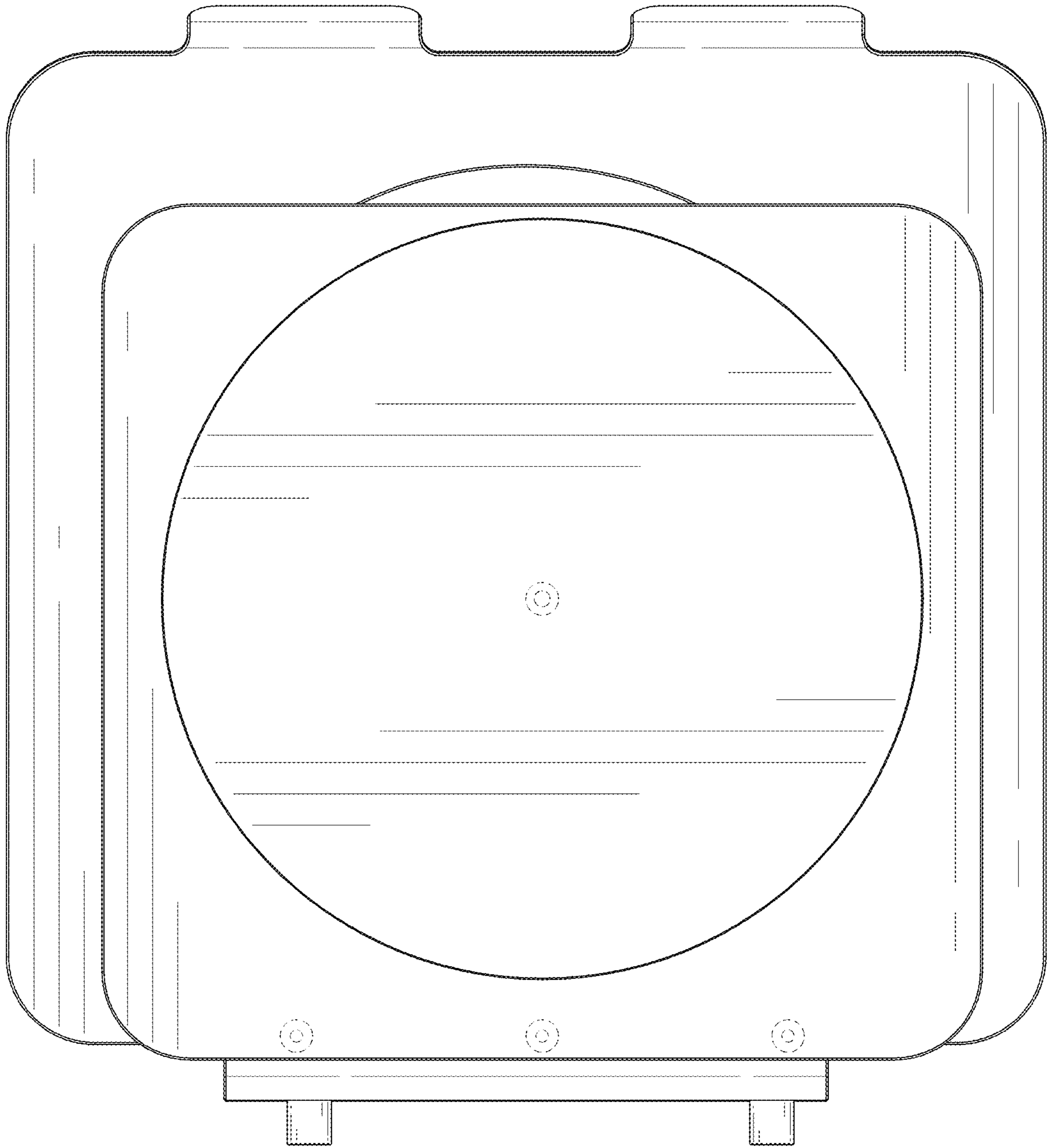


FIG. 4

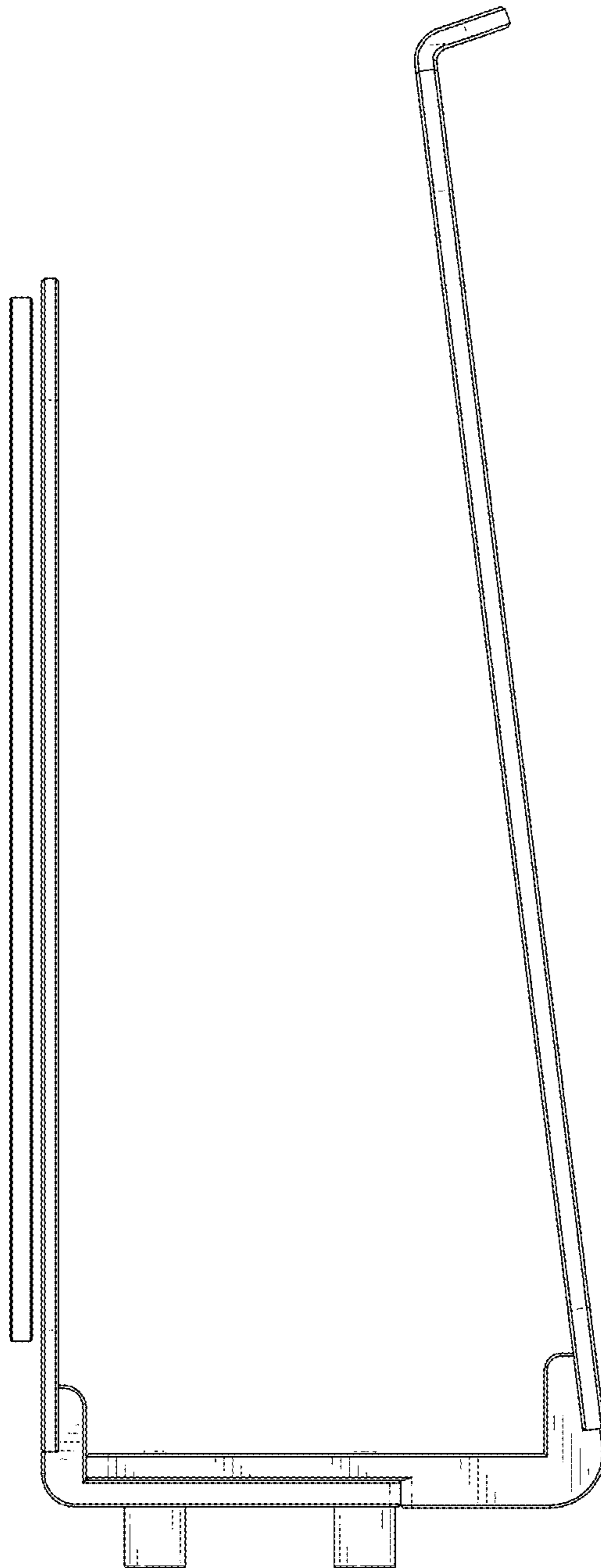


FIG. 5

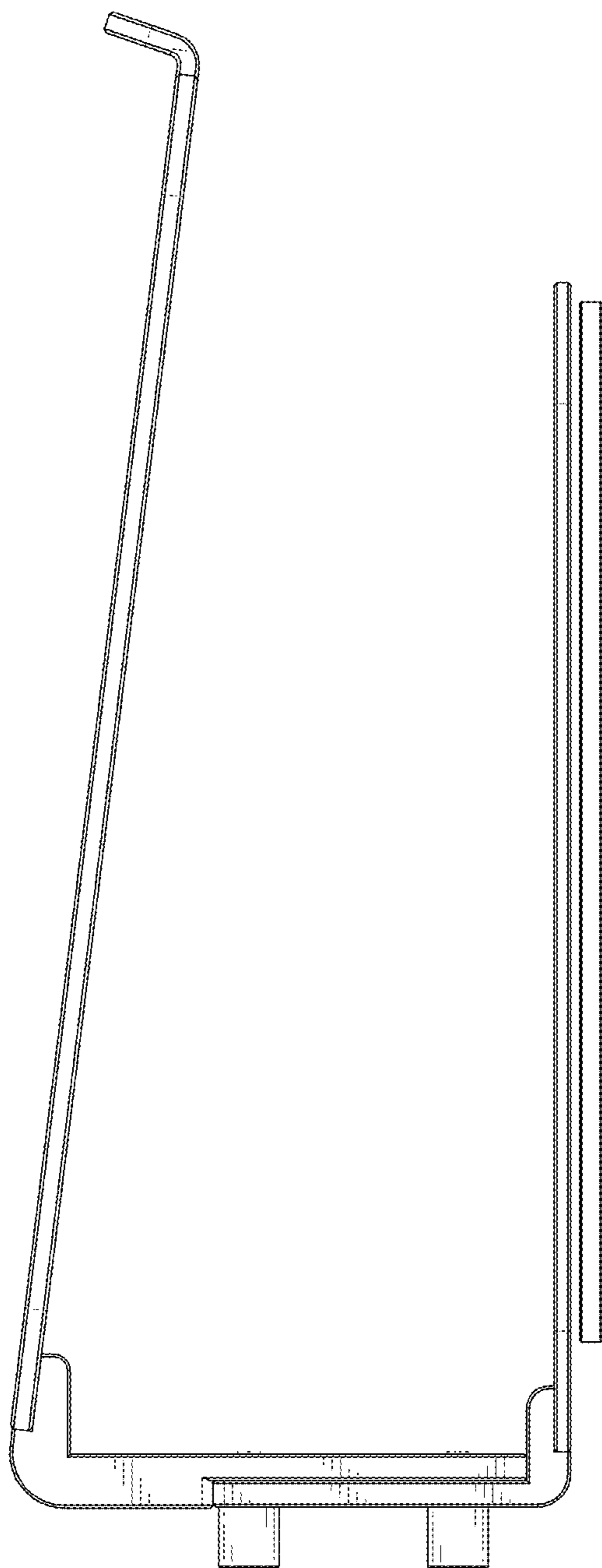


FIG. 6

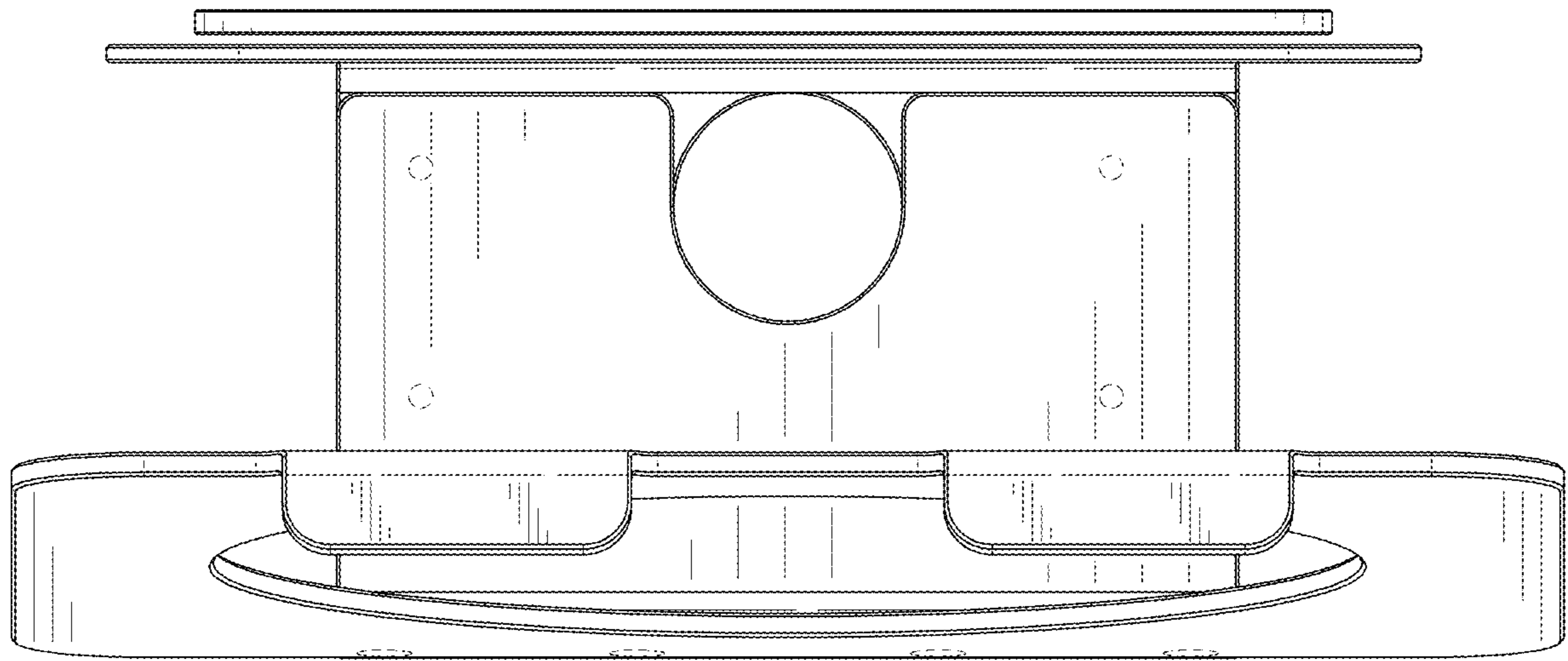


FIG. 7



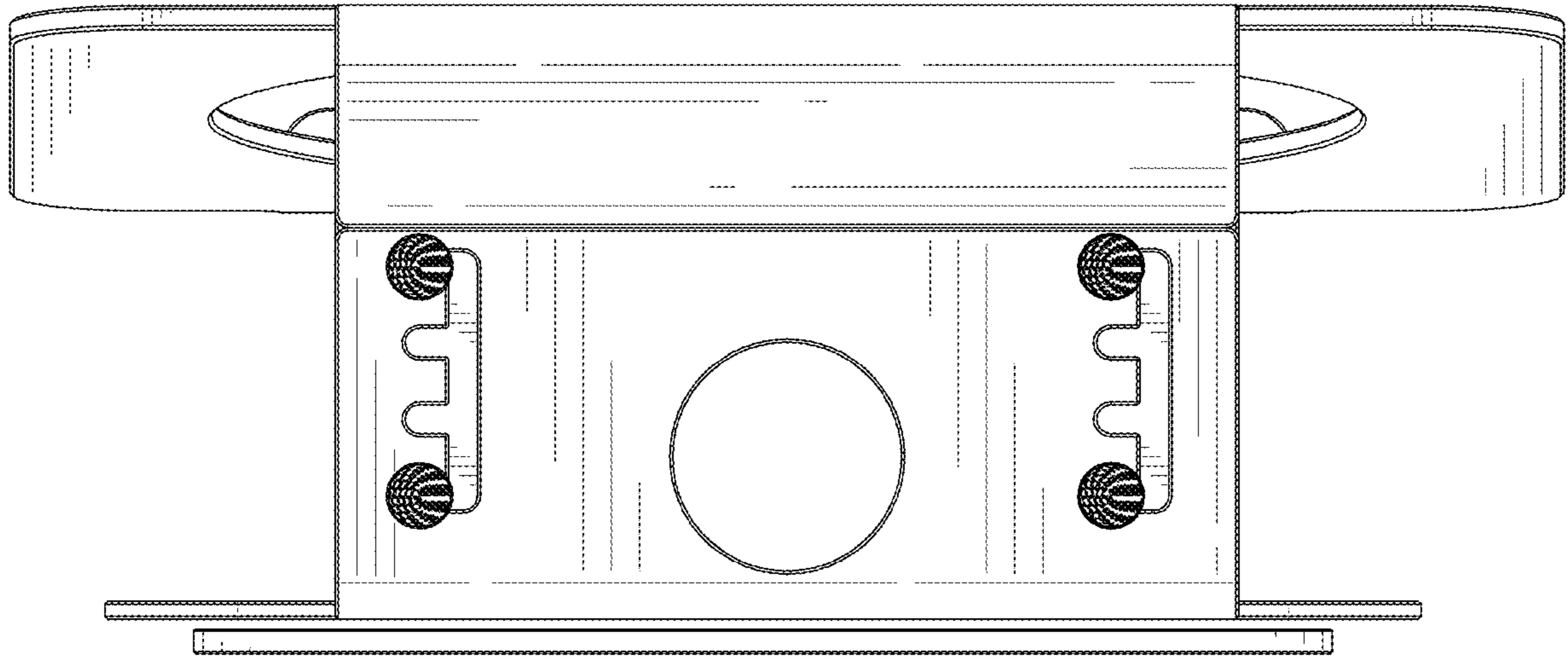


FIG. 8

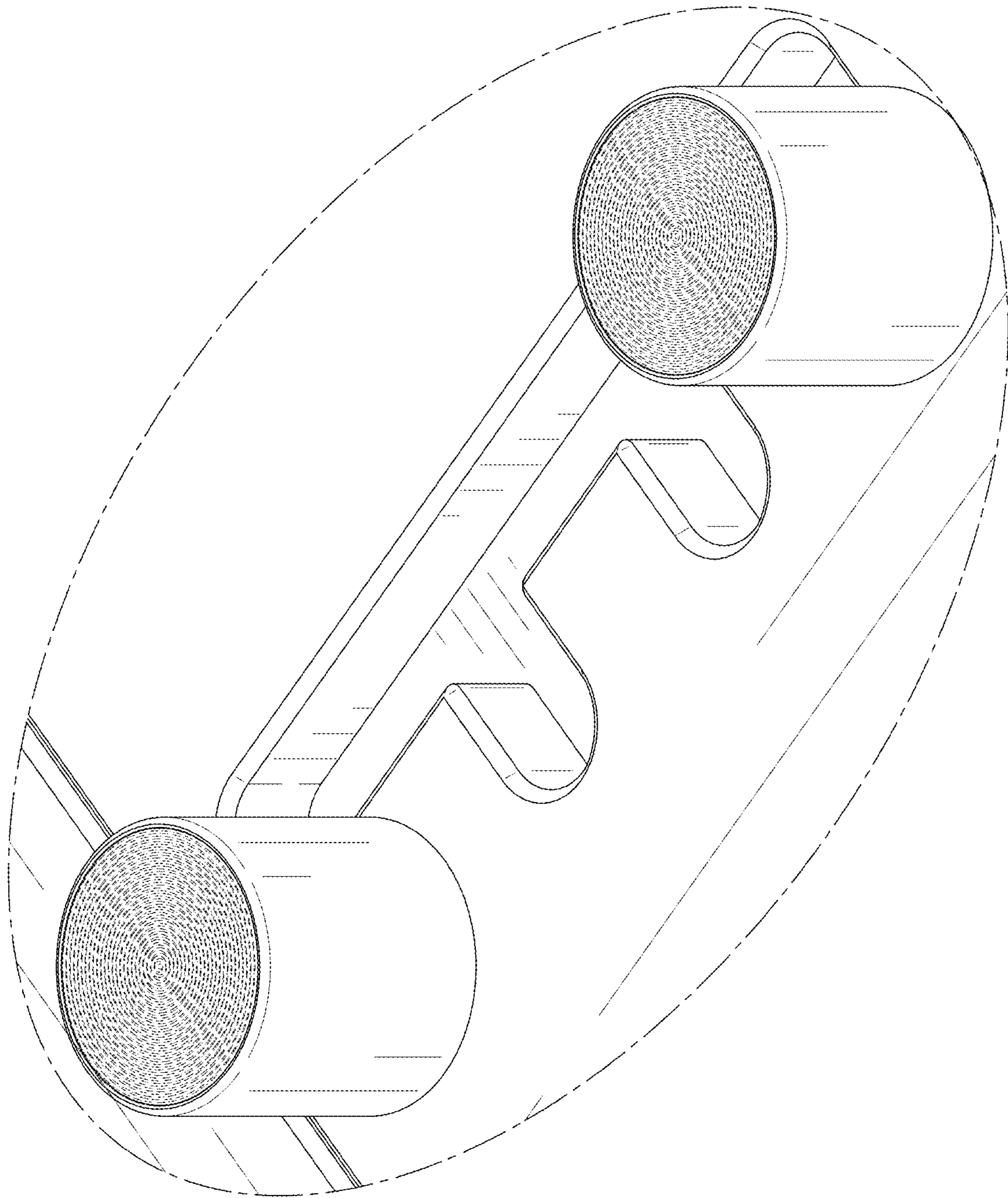


FIG. 9