



US00D925544S

(12) **United States Design Patent** (10) **Patent No.:** **US D925,544 S**
Li (45) **Date of Patent:** **** Jul. 20, 2021**

(54) **TABLET HOLDER**

(71) Applicant: **SHENZHEN CHICHENYUN NETWORK TECHNOLOGY CO., LTD**, Shenzhen (CN)

(72) Inventor: **Jinxiong Li**, Shenzhen (CN)

(73) Assignee: **SHENZHEN CHICHENYUN NETWORK TECHNOLOGY CO., LTD**, Shenzhen (CN)

(**) Term: **15 Years**

(21) Appl. No.: **29/748,265**

(22) Filed: **Aug. 27, 2020**

(51) **LOC (13) Cl.** **08-07**

(52) **U.S. Cl.**
USPC **D14/447**

(58) **Field of Classification Search**
USPC D14/447, 432, 434, 439, 440, 451, 452, D14/457, 239, 253; D8/363, 373, 380; D6/406.3, 406.4, 406.5, 406.6; D12/415
CPC A47B 21/04; A47B 2097/006; A47B 2097/005; A47B 2023/049; A45C 2011/002; A45C 2011/003; F16M 2200/00; F16M 13/00

See application file for complete search history.

(56) **References Cited**

U.S. PATENT DOCUMENTS

D365,461 S * 12/1995 Falter D19/88
D642,582 S * 8/2011 Largy D14/447

D643,845 S * 8/2011 Hong D14/447
D666,995 S * 9/2012 TerMeer D14/217
D696,258 S * 12/2013 Padilla D14/447
D699,246 S * 2/2014 Ringlein D14/447
D703,216 S * 4/2014 Klepar D14/447
D706,784 S * 6/2014 Mills D14/447
D808,947 S * 1/2018 Taniho D14/253
D837,799 S * 1/2019 Chan D14/451
D842,849 S * 3/2019 Yun D14/253
D872,095 S 1/2020 Miniard
D879,791 S 3/2020 Li
D881,022 S * 4/2020 Long D10/2
2018/0136695 A1 * 5/2018 Lo H04R 1/02

* cited by examiner

Primary Examiner — Angela J Lee

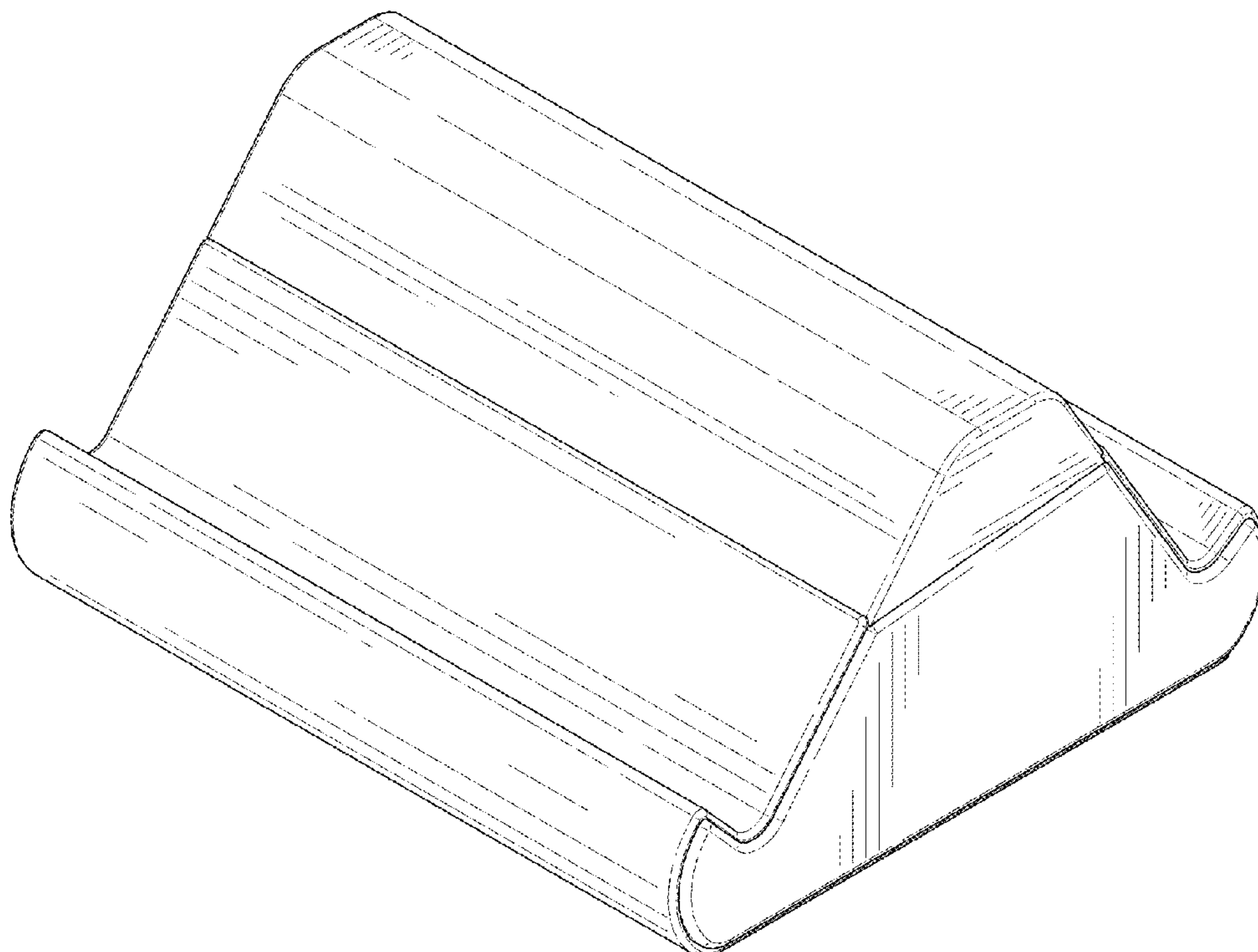
(57) **CLAIM**

The ornamental design for a tablet holder, as shown and described.

DESCRIPTION

FIG. 1 is a perspective view of a tablet holder showing my new design;
FIG. 2 is another perspective view thereof;
FIG. 3 is a front elevational view thereof;
FIG. 4 is a rear elevational view thereof;
FIG. 5 is a left side elevational view thereof;
FIG. 6 is a right side elevational view thereof;
FIG. 7 is a top plan view thereof; and,
FIG. 8 is a bottom plan view thereof.

1 Claim, 8 Drawing Sheets



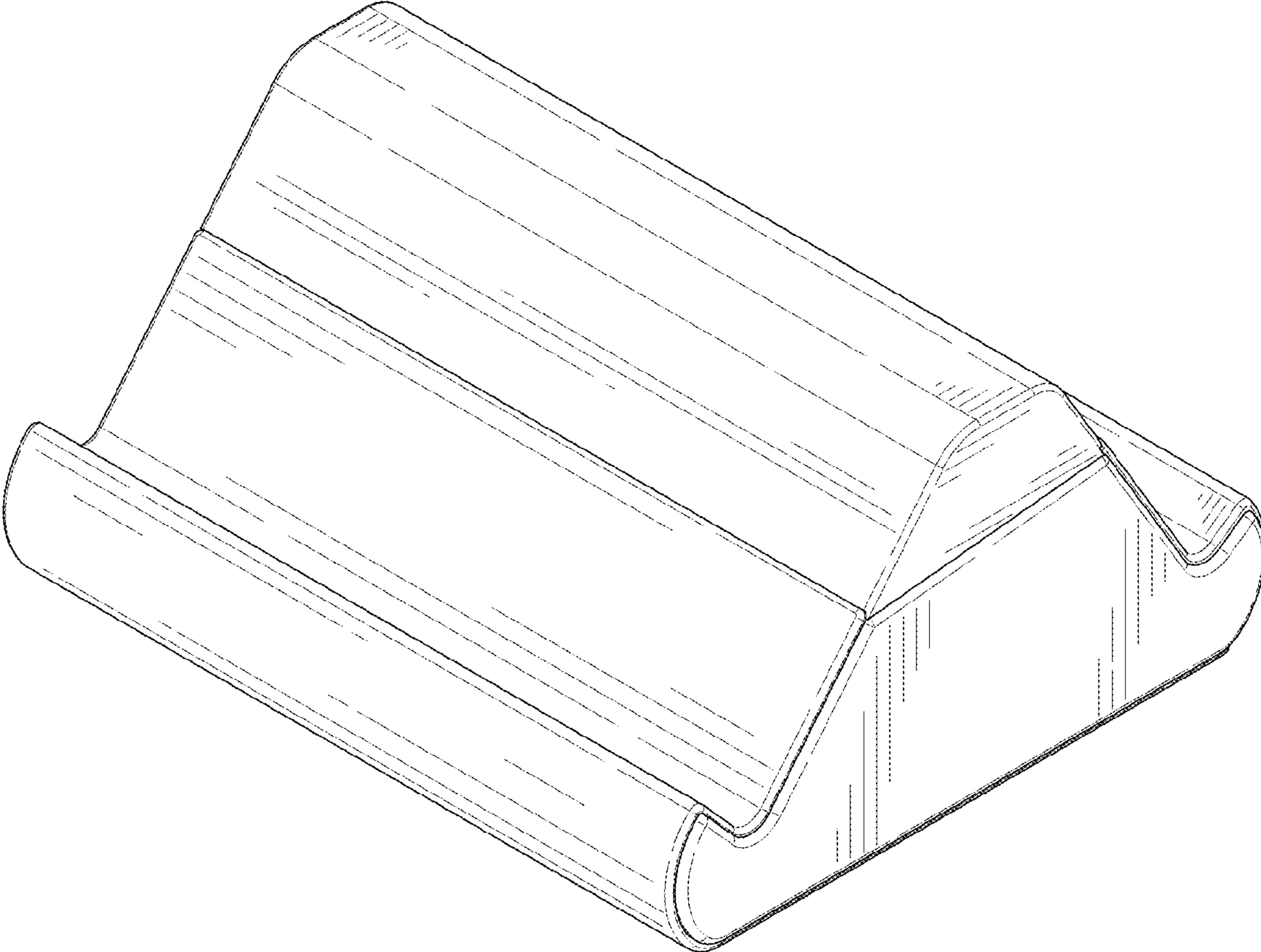


FIG. 1

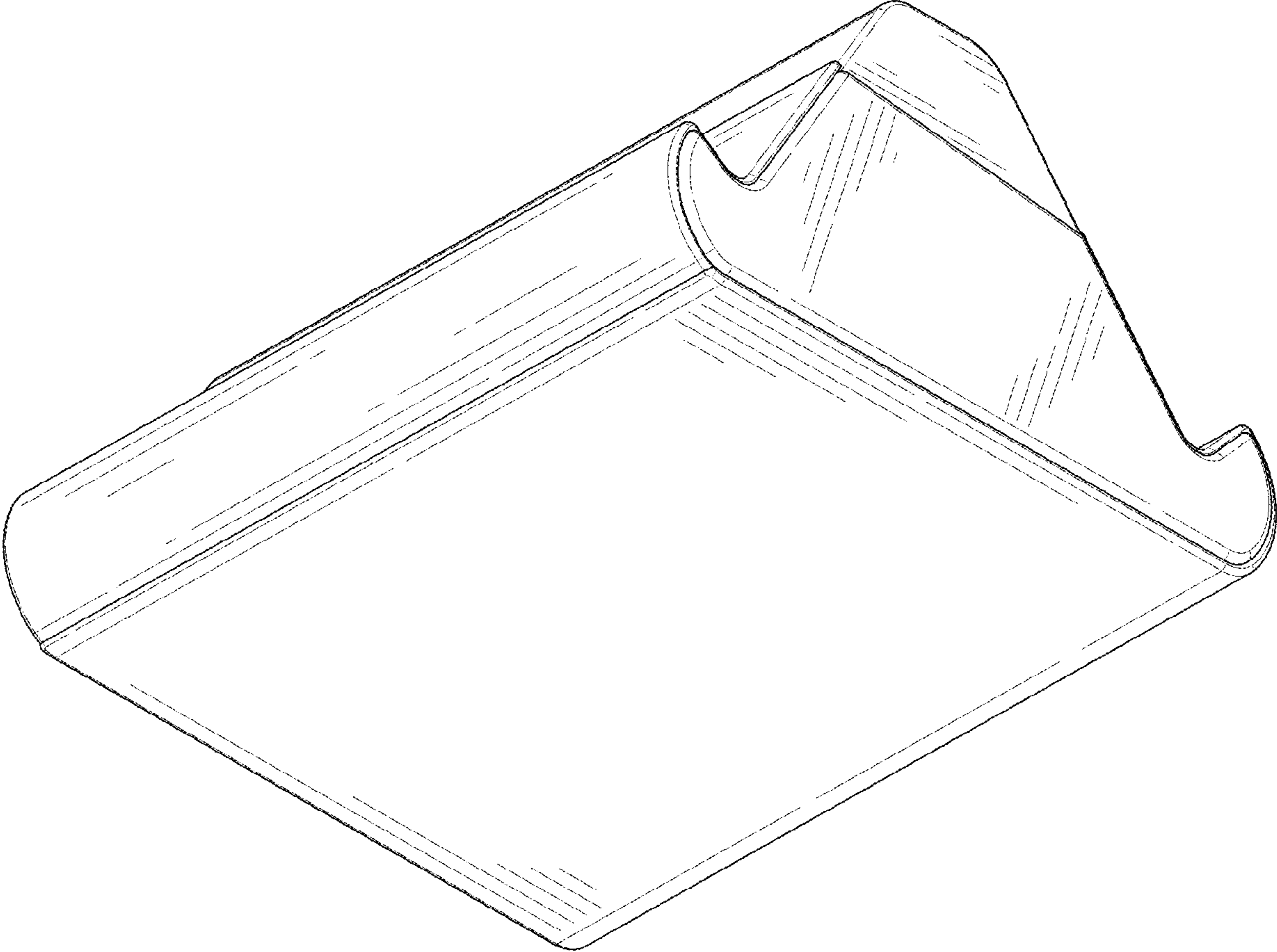


FIG. 2

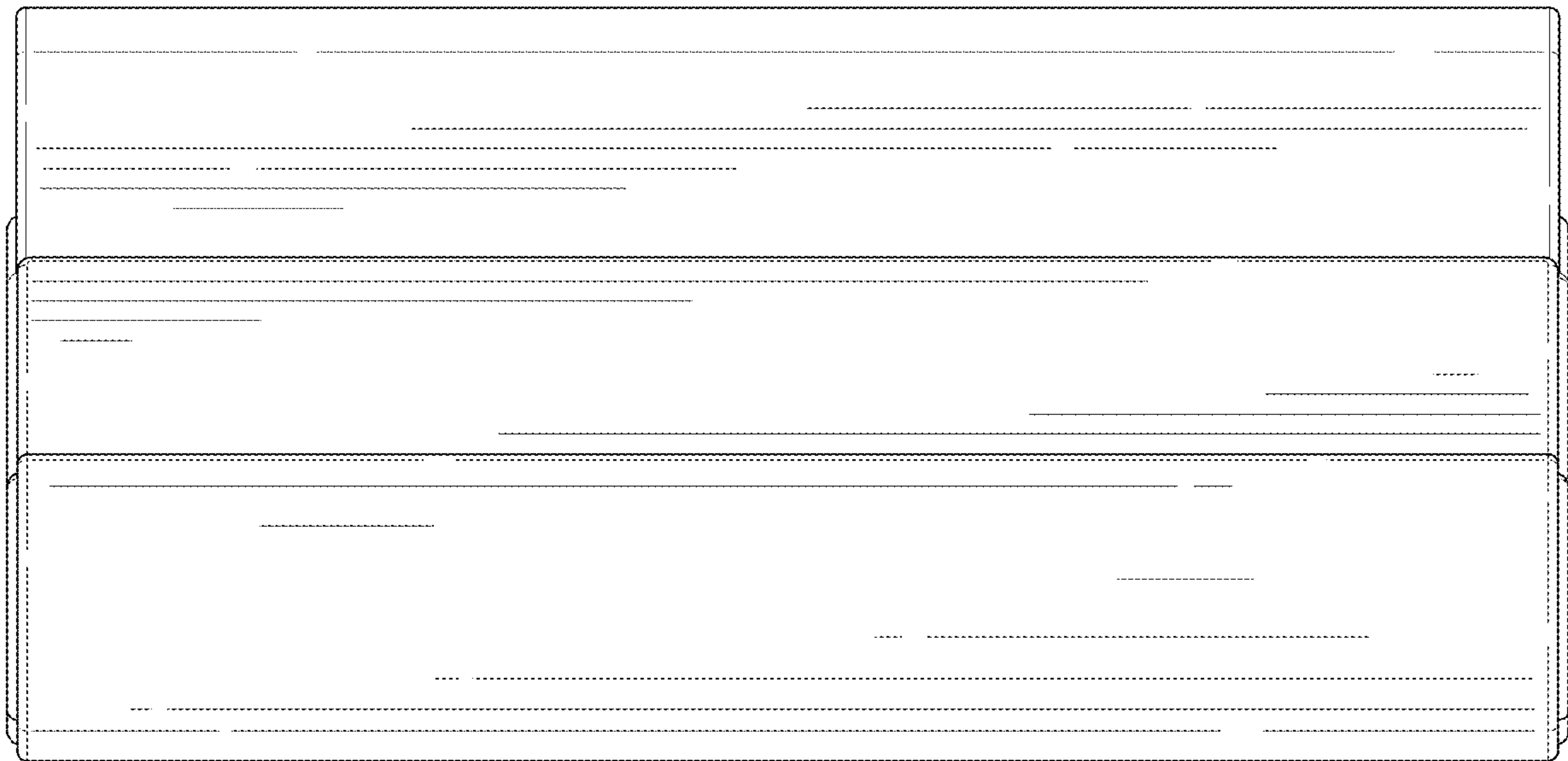


FIG. 3

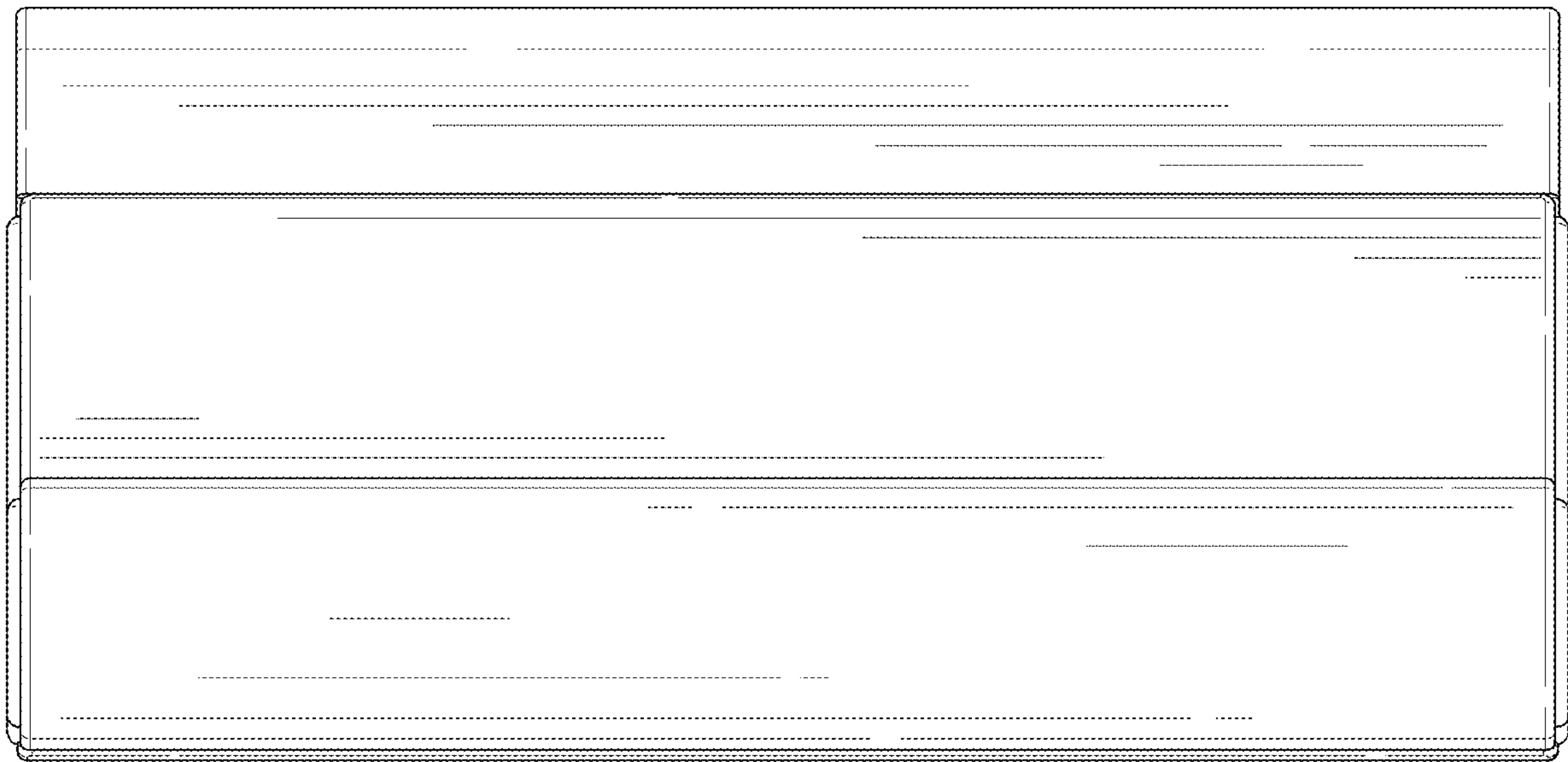


FIG. 4

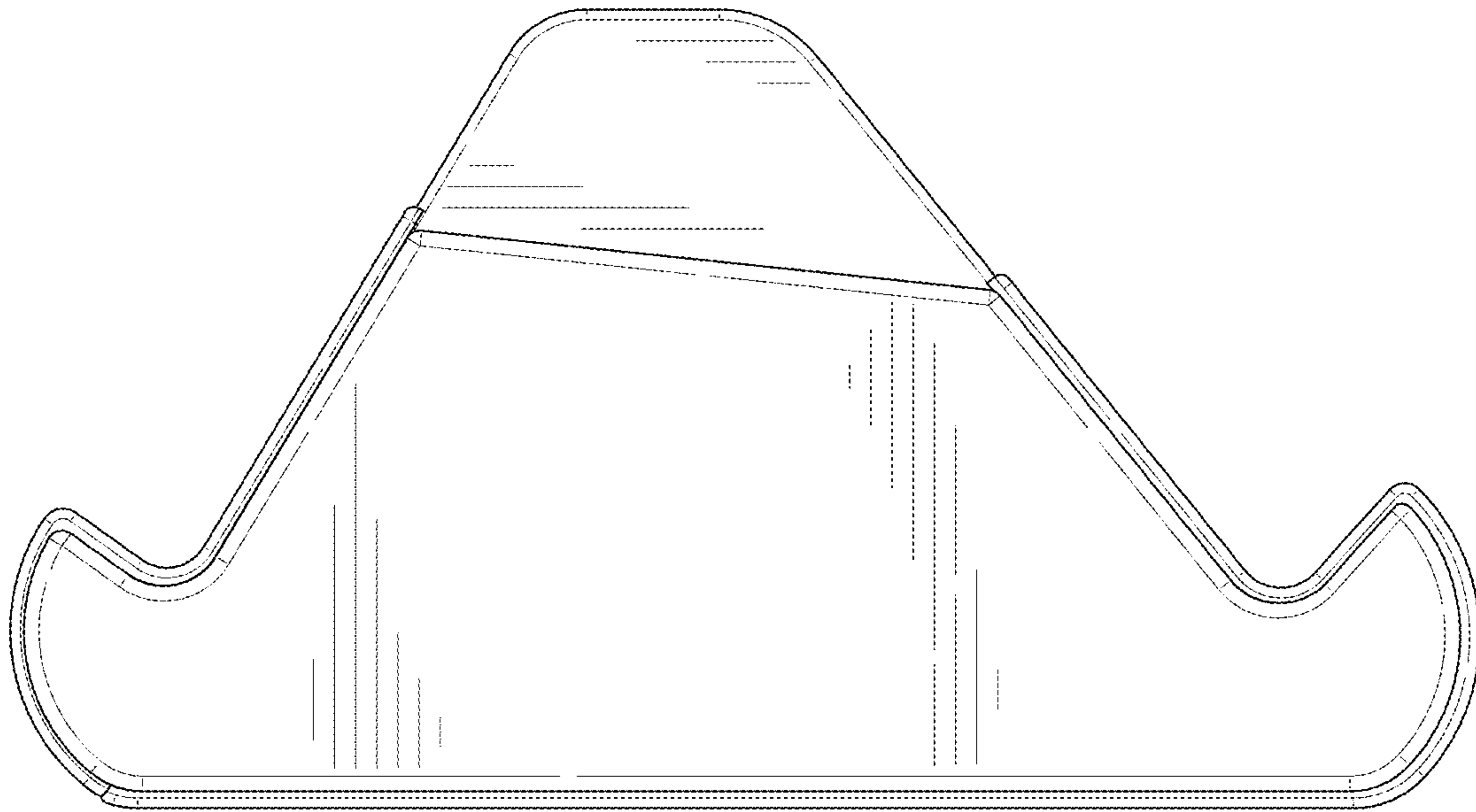


FIG. 5

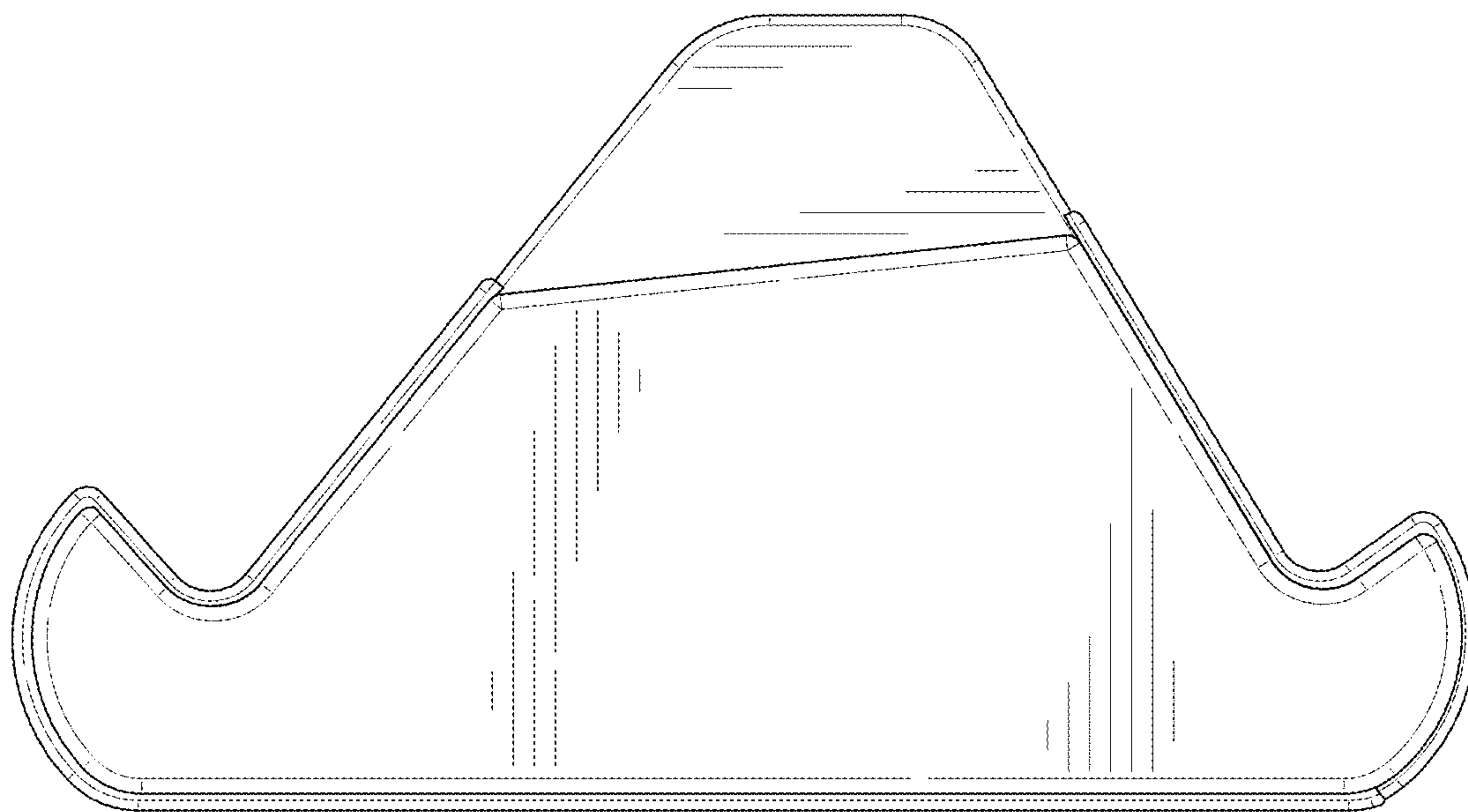


FIG. 6



FIG. 7



FIG. 8