



US00D925541S

(12) **United States Design Patent** (10) **Patent No.:** **US D925,541 S**
Ahn et al. (45) **Date of Patent:** **** Jul. 20, 2021**

(54) **DISPLAY MODULE**

(71) Applicant: **Samsung Display Co., Ltd.**, Yongin-si (KR)

(72) Inventors: **Yi Joon Ahn**, Seoul (KR); **Jung Hun Noh**, Yongin-si (KR); **Jae Woo Im**, Seoul (KR); **Keun Kyu Song**, Seongnam-si (KR)

(73) Assignee: **Samsung Display Co., Ltd.**, Yongin-si (KR)

(**) Term: **15 Years**

(21) Appl. No.: **29/767,763**

(22) Filed: **Jan. 25, 2021**

Related U.S. Application Data

(62) Division of application No. 29/667,155, filed on Oct. 18, 2018, now Pat. No. Des. 908,706.

(30) **Foreign Application Priority Data**

Apr. 20, 2018 (KR) 30-2018-0018737
Apr. 20, 2018 (KR) 30-2018-0018739
Apr. 20, 2018 (KR) 30-2018-0018740

(51) **LOC (13) Cl.** **14-02**

(52) **U.S. Cl.**
USPC **D14/439**

(58) **Field of Classification Search**
USPC D14/341-347, 424, 425, 432-453, 464, D14/468, 469, 471, 496, 511, 138 AA, D14/138 AD, 138 C, 138 G, 203.1-203.8, D14/217, 238.1, 248, 250, 257, 299; 361/679.01, 679.02, 679.03, 679.3, 361/679.55, 679.56; 455/550.1, 556.1, 455/556.2, 575.1, 575.3-575.5, 575.8, 455/90.3
CPC H04M 1/0277; H04M 1/0202; H04M 1/02; H04B 1/3838

See application file for complete search history.

(56) **References Cited**

U.S. PATENT DOCUMENTS

D665,808 S 8/2012 Wang
D677,666 S * 3/2013 Akana D14/439
D714,294 S 9/2014 Dinh et al.
D824,389 S 7/2018 Dinh et al.
D832,266 S 10/2018 Akana et al.
D832,267 S * 10/2018 Akana D14/439
D832,850 S * 11/2018 Oh D14/439

(Continued)

FOREIGN PATENT DOCUMENTS

KR 10-2015-0133918 A 12/2015

Primary Examiner — Austin Murphy

(74) *Attorney, Agent, or Firm* — Lewis Roca Rothgerber Christie LLP

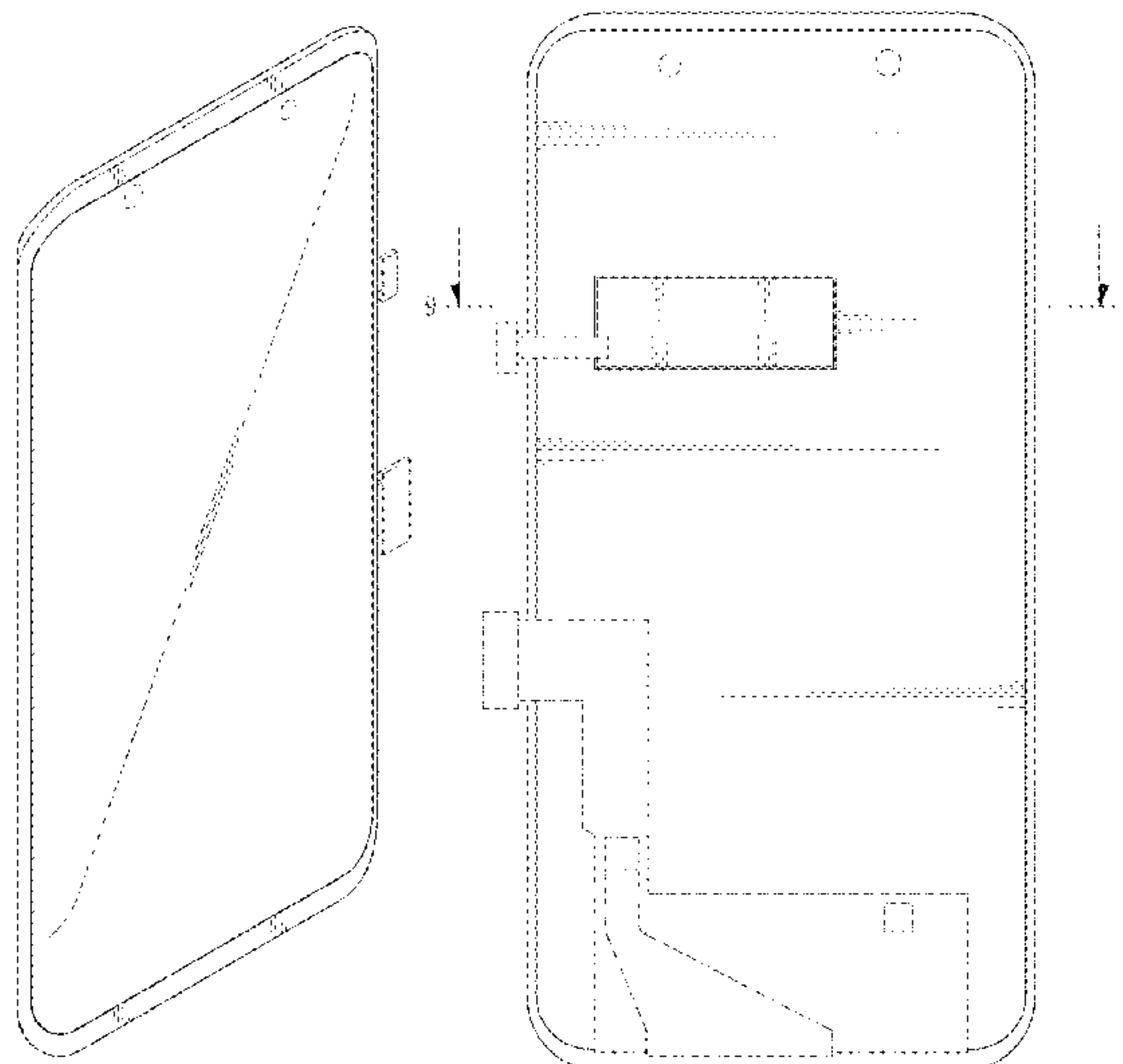
(57) **CLAIM**

The ornamental design for a display module, as shown and described.

DESCRIPTION

FIG. 1 is a front perspective view of a display module showing our new design according to a first embodiment; FIG. 2 is a front view thereof; FIG. 3 is a rear view thereof; FIG. 4 is a left side view thereof; FIG. 5 is a right side view thereof; FIG. 6 is a top view thereof; FIG. 7 is a bottom view thereof; FIG. 8 is a rear perspective view thereof; FIG. 9 is a cross-sectional view taken along the line 9-9 in FIG. 3; and, FIG. 10 is an enlarged view of the region 10 in FIG. 9. The broken lines indicate unclaimed portions of the article that form no part of the claimed design.

1 Claim, 10 Drawing Sheets



(56)

References Cited

U.S. PATENT DOCUMENTS

D848,999 S	5/2019	Akana et al.	
D854,523 S	7/2019	Kim et al.	
D855,044 S *	7/2019	Cho	D14/248
D856,337 S *	8/2019	Akana	D14/439
D856,338 S *	8/2019	Akana	D14/439
D864,954 S	10/2019	Kim et al.	
D868,056 S	11/2019	Kim et al.	
D868,057 S	11/2019	Kim et al.	
D872,076 S	1/2020	Kim et al.	
D873,258 S	1/2020	Park et al.	
D874,450 S	2/2020	Cha et al.	
D879,081 S	3/2020	Kim et al.	
D880,463 S	4/2020	Kim et al.	
D884,688 S	5/2020	Cha et al.	
D886,090 S *	6/2020	Cha	D14/248
D886,091 S	6/2020	Cha et al.	
D888,701 S *	6/2020	Nam	D14/248
D890,762 S *	7/2020	Nam	D14/439
D893,490 S *	8/2020	Akana	D14/439
D895,627 S *	9/2020	Akana	D14/439
D900,112 S *	10/2020	Cho	D14/439
D905,695 S *	12/2020	Akana	D14/439
D905,696 S *	12/2020	Akana	D14/439
D908,706 S *	1/2021	Ahn	D14/439
D908,707 S *	1/2021	Cho	D14/439
D911,195 S *	2/2021	Hong	D10/85
D911,196 S *	2/2021	Hong	D10/85
D912,057 S *	3/2021	Chang	D14/439
2006/0139856 A1	6/2006	Liu et al.	
2006/0281501 A1	12/2006	Zuo et al.	
2011/0151945 A1 *	6/2011	Jiang	H01M 50/209 455/575.1
2011/0188179 A1 *	8/2011	Myers	G06F 1/1698 361/679.01
2012/0063074 A1	3/2012	Matsuda et al.	
2015/0341714 A1	11/2015	Ahn et al.	
2018/0157362 A1 *	6/2018	Kim	G06F 3/041
2019/0339746 A1 *	11/2019	Kim	B32B 17/06
2020/0064681 A1 *	2/2020	Son	G06F 1/1626

* cited by examiner

FIG. 1

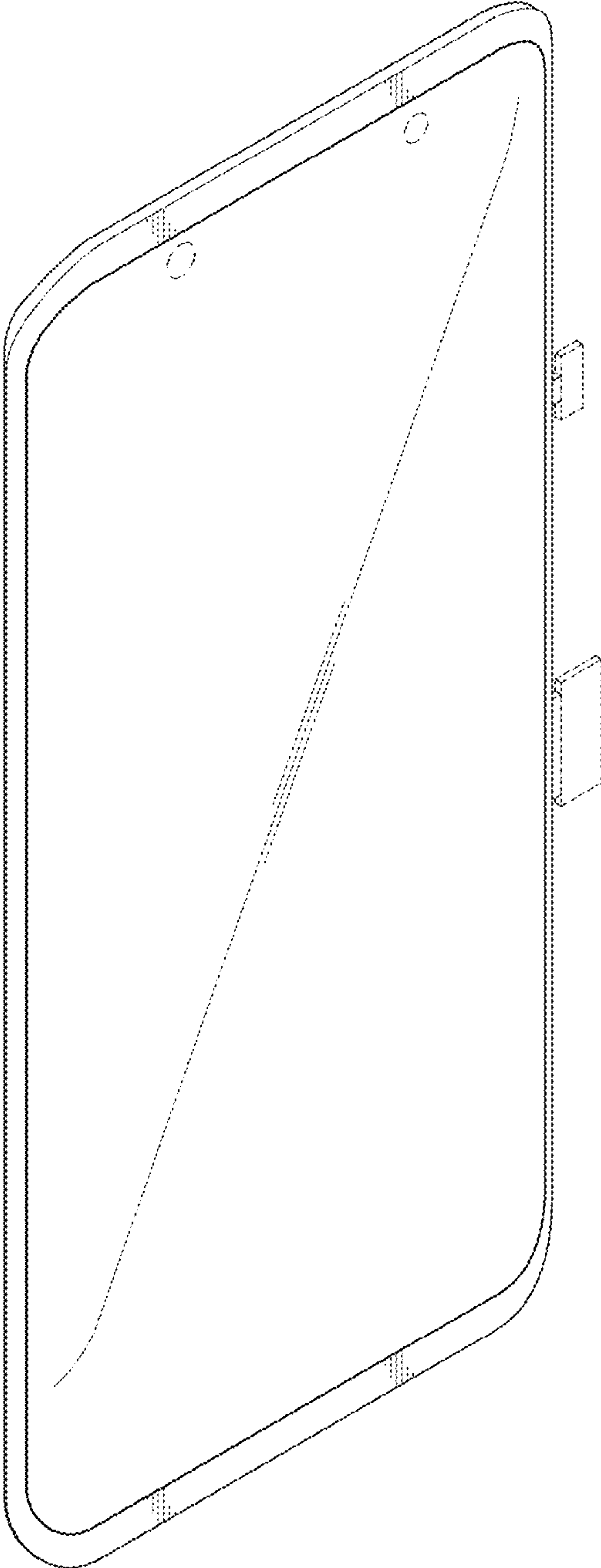


FIG. 2

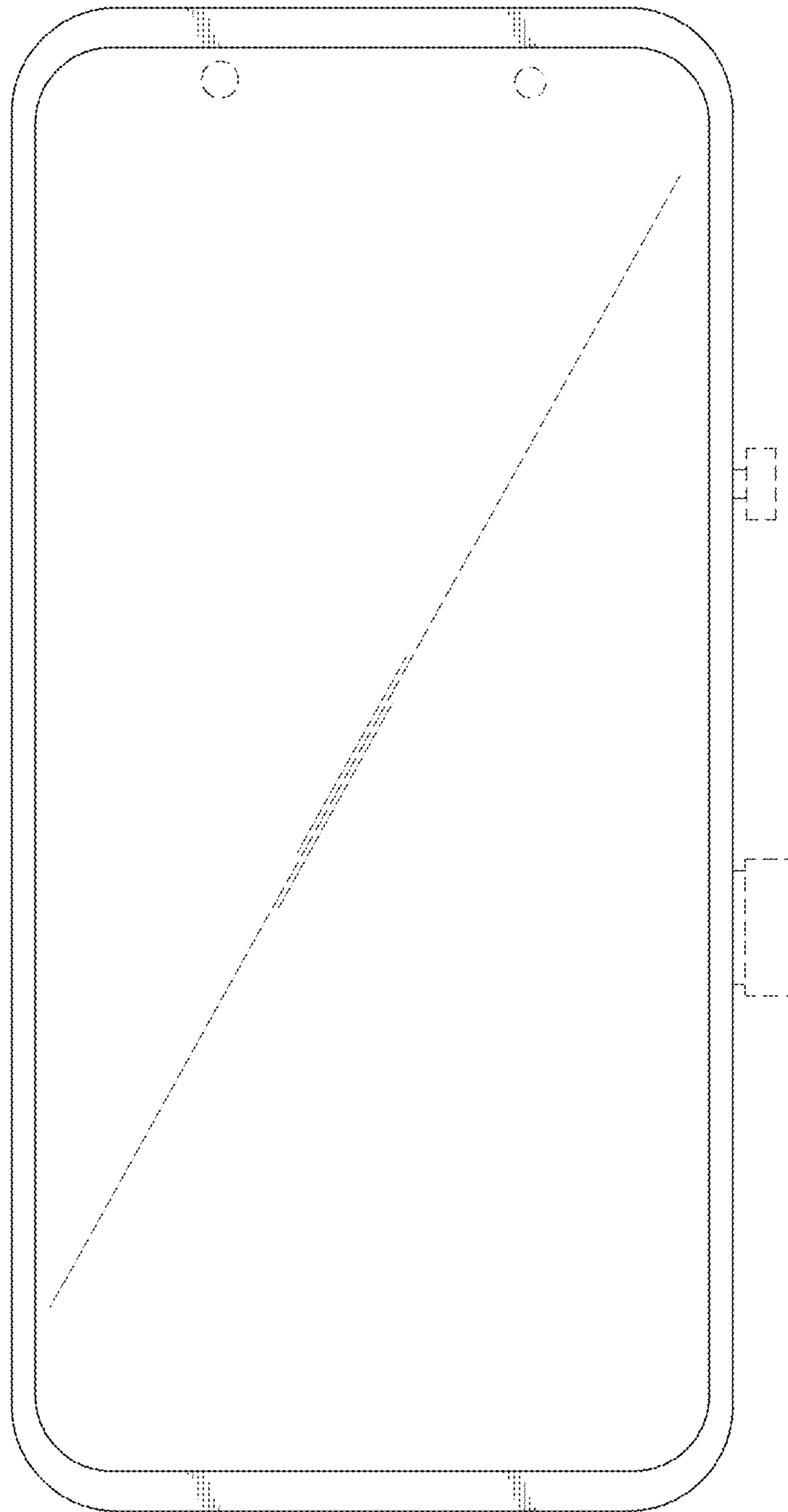


FIG. 3

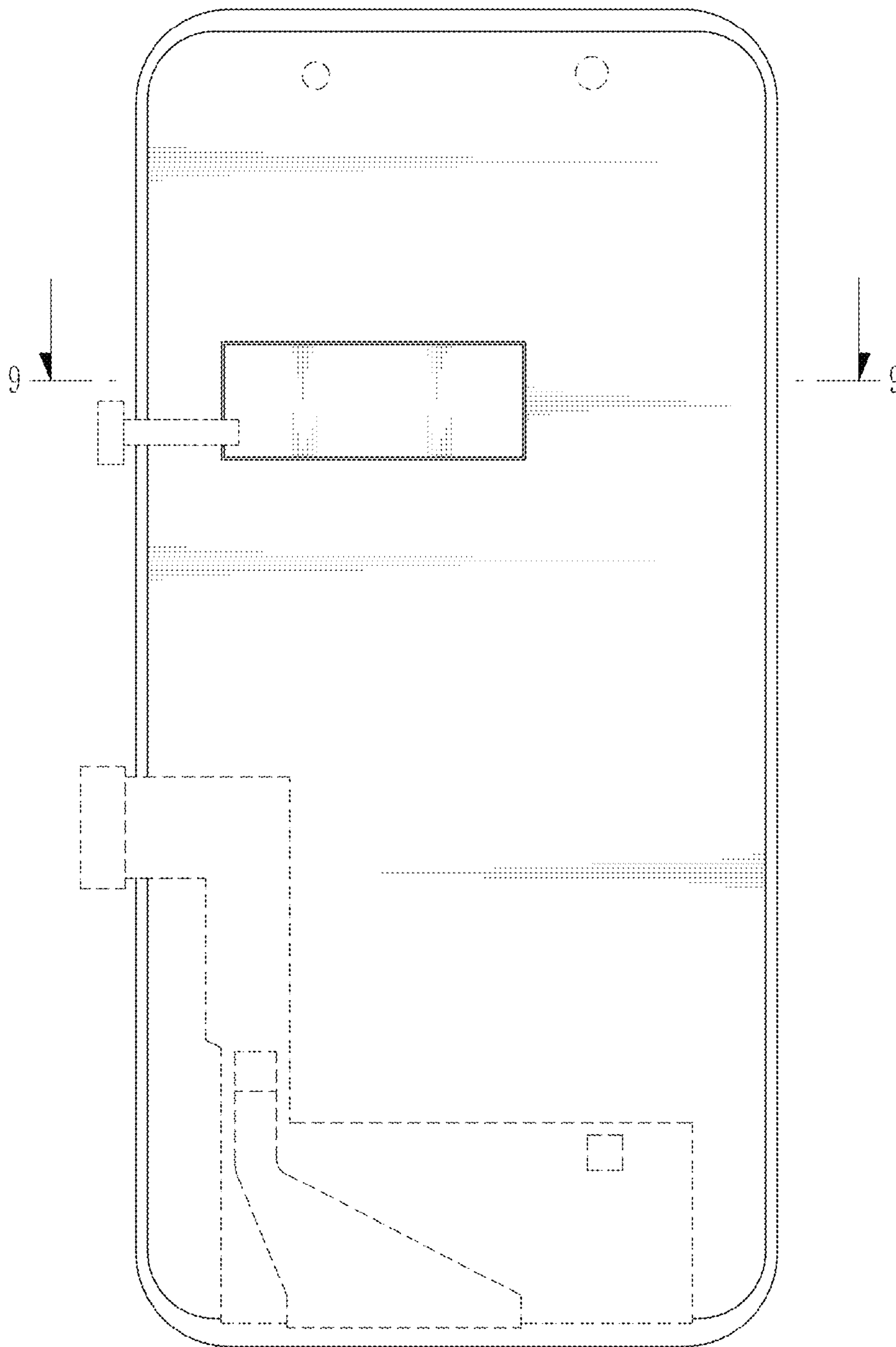


FIG. 4

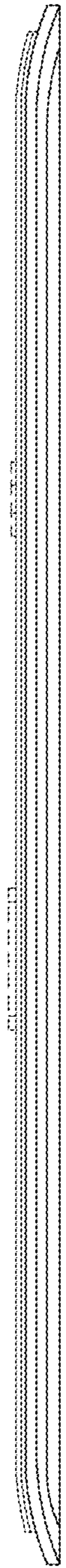


FIG. 5



FIG. 6

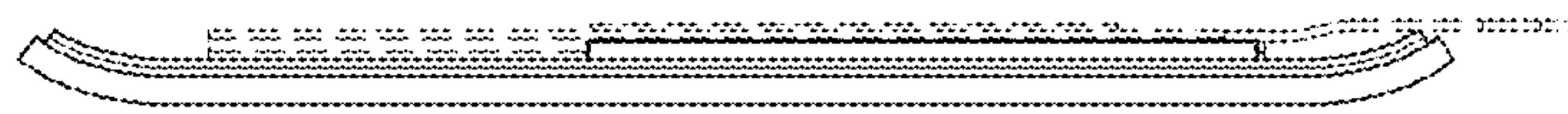


FIG. 7

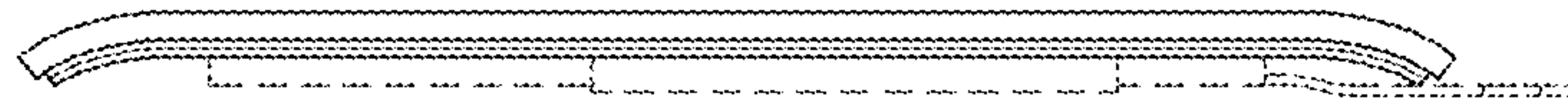


FIG. 8

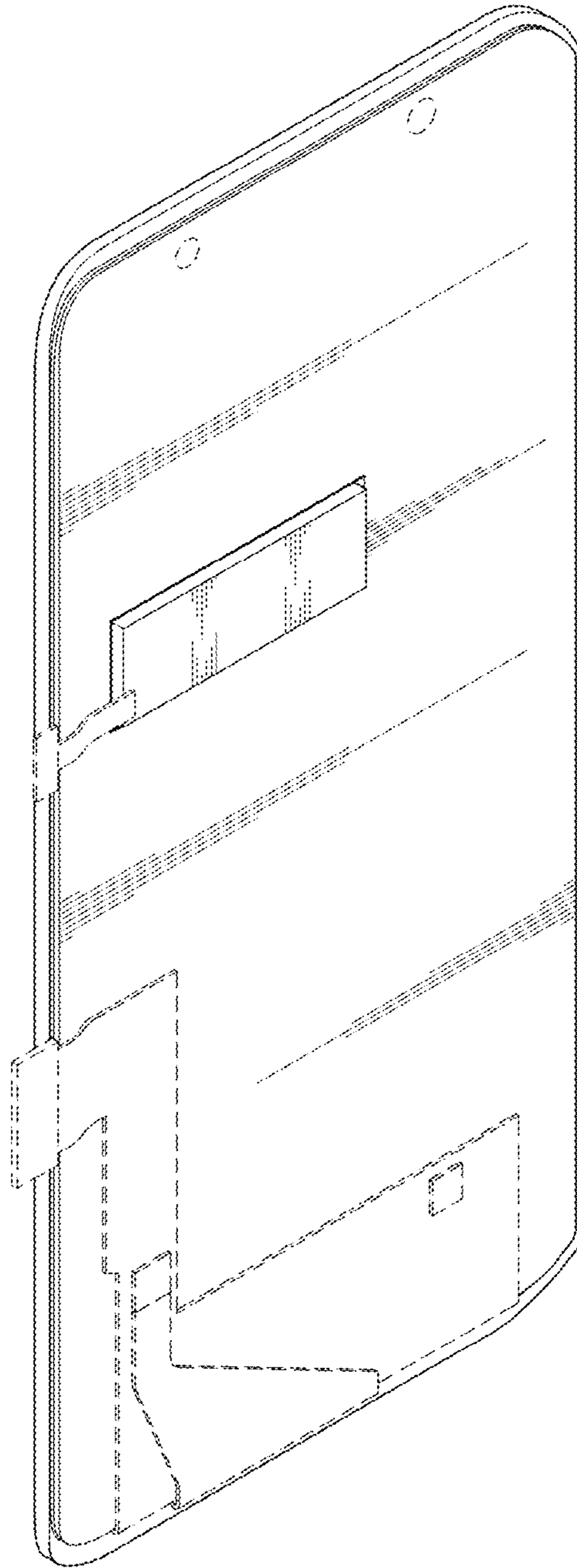


FIG. 9

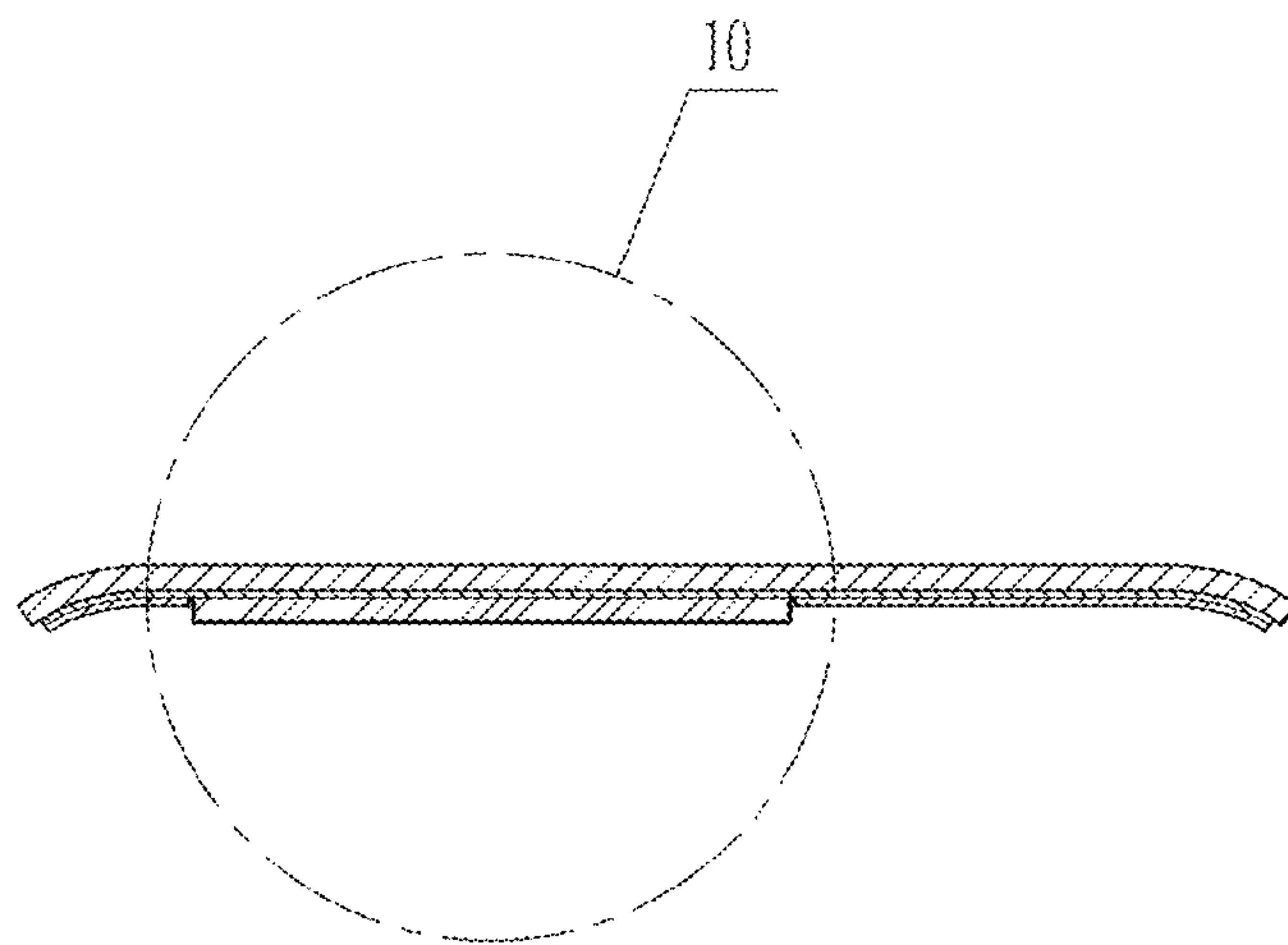


FIG. 10

