



US00D925539S

(12) **United States Design Patent**  
**Wu**

(10) **Patent No.:** **US D925,539 S**  
(45) **Date of Patent:** **\*\* Jul. 20, 2021**

- (54) **ADAPTER**
- (71) Applicant: **Shihong Wu**, Liuzhou (CN)
- (72) Inventor: **Shihong Wu**, Liuzhou (CN)
- (73) Assignee: **DONGGUAN KINGTRON ELECTRONICS TECHNOLOGY CO., LTD**, Dongguan (CN)
- (\*\*) Term: **15 Years**
- (21) Appl. No.: **29/746,775**
- (22) Filed: **Aug. 17, 2020**
- (51) **LOC (13) Cl.** ..... **14-02**
- (52) **U.S. Cl.**  
USPC ..... **D14/433**
- (58) **Field of Classification Search**  
USPC ..... D14/240, 242, 356, 358, 363, 365, 367, D14/370, 432-437, 439, 498, 125, 366, D14/168, 496; D13/147, 164, 123, 133, D13/146, 110, 199, 103, 162, 159, 160, D13/184; 361/683, 684, 686, 724, 735, 361/737, 752; D18/40  
CPC .... H01R 25/006; H01R 27/02; H01R 31/005; G06F 13/4022; G06F 13/382; G06F 1/1632; G06F 1/1684; G06F 1/20; G06F 1/1607  
See application file for complete search history.

(56) **References Cited**

**U.S. PATENT DOCUMENTS**

- D889,469 S 7/2020 Zhang
- D899,363 S \* 10/2020 Wu ..... D13/110
- D900,107 S \* 10/2020 Wu ..... D14/433

- D900,108 S \* 10/2020 Wu ..... D14/433
- D900,109 S \* 10/2020 Wu ..... D14/433
- D900,824 S \* 11/2020 Wu ..... D14/433
- D902,211 S \* 11/2020 Jiang ..... D14/433
- D903,682 S \* 12/2020 Zhang ..... D14/433
- D903,683 S \* 12/2020 Zhang ..... D14/433
- D908,126 S \* 1/2021 Chen ..... D14/433
- D908,127 S \* 1/2021 Wu ..... D14/433
- D909,385 S \* 2/2021 Kong ..... D14/433
- D909,386 S \* 2/2021 Turksu ..... D14/433
- D911,346 S \* 2/2021 Turksu ..... D14/433
- D912,056 S \* 3/2021 Liao ..... D14/433
- D916,093 S \* 4/2021 Liao ..... D14/433
- D916,094 S \* 4/2021 Liao ..... D14/433
- D916,705 S \* 4/2021 Liao ..... D14/433
- D918,917 S \* 5/2021 Wu ..... D14/433
- D918,918 S \* 5/2021 Wu ..... D14/433

\* cited by examiner

*Primary Examiner* — Austin Murphy

(74) *Attorney, Agent, or Firm* — Justin Lampel

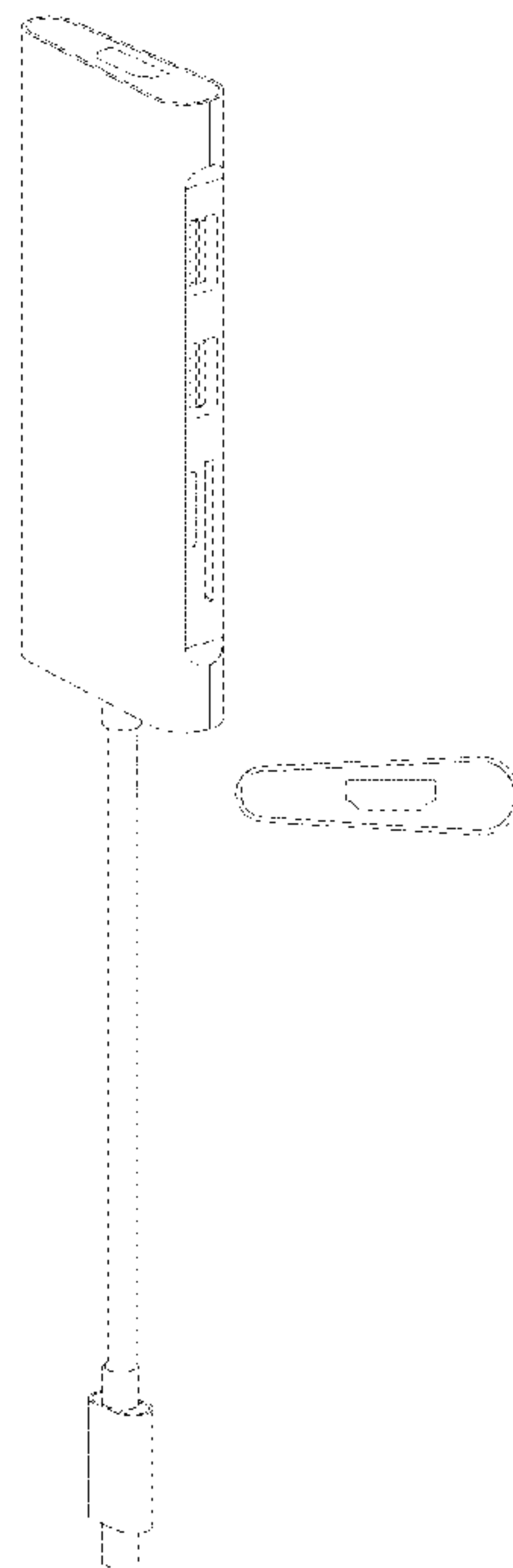
(57) **CLAIM**

The ornamental design for an adapter, as shown and described.

**DESCRIPTION**

FIG. 1 is a perspective view of an adapter showing the claimed design;  
 FIG. 2 is a top plan view thereof;  
 FIG. 3 is a rear elevational view thereof;  
 FIG. 4 is a bottom plan view thereof;  
 FIG. 5 is a right side view thereof;  
 FIG. 6 is a front elevational view thereof; and,  
 FIG. 7 is a left side view thereof.  
 The broken lines illustrate portions of the an adapter that form no part of the claimed design.

**1 Claim, 7 Drawing Sheets**



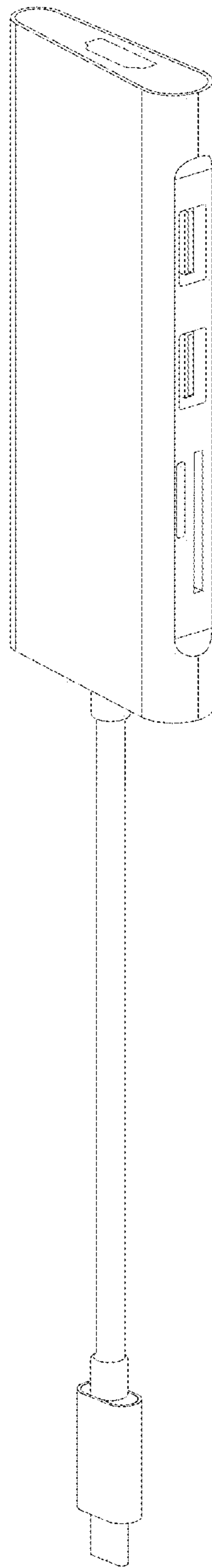


FIG. 1

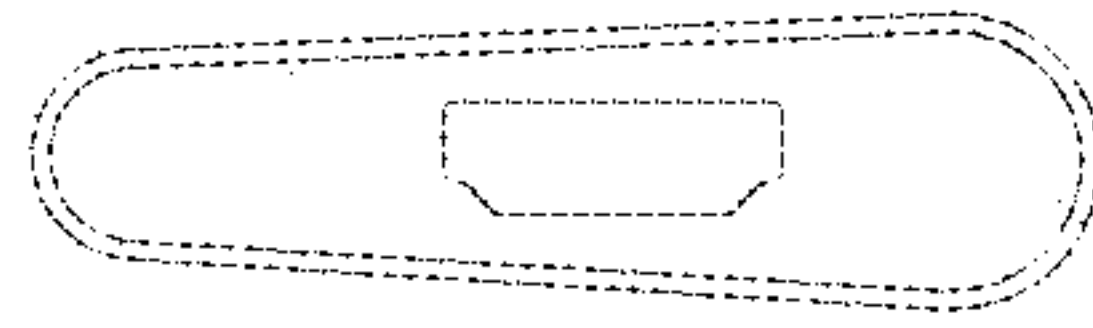


FIG. 2

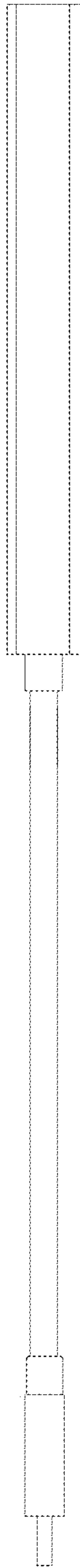


FIG.3

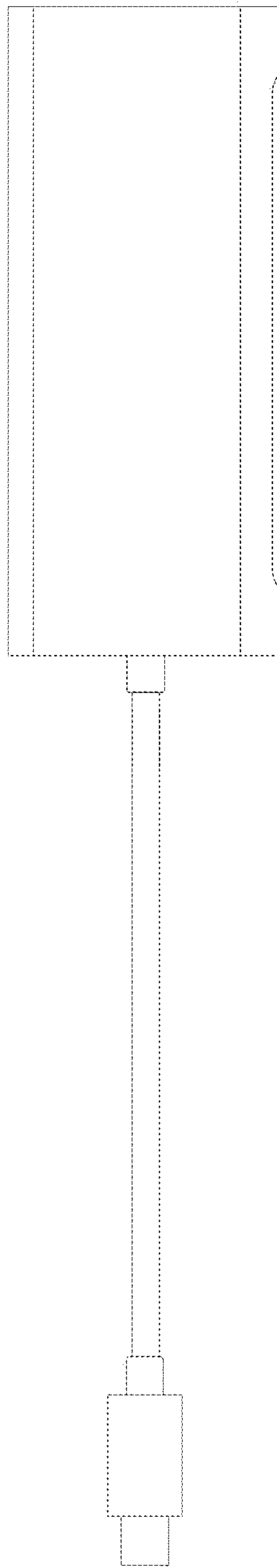


FIG. 4

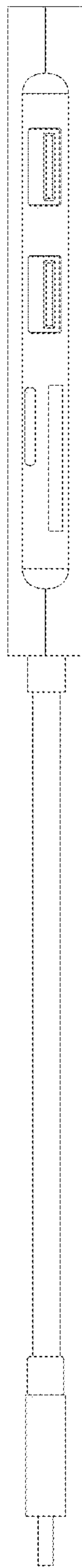


FIG.5

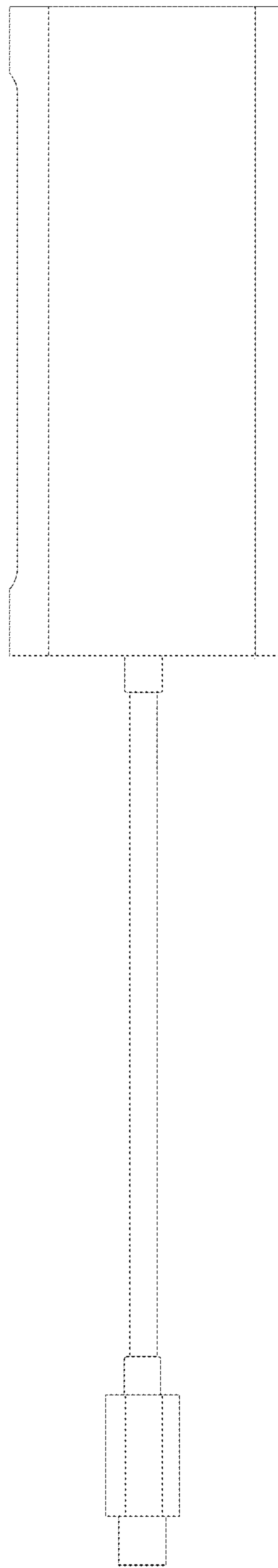


FIG. 6

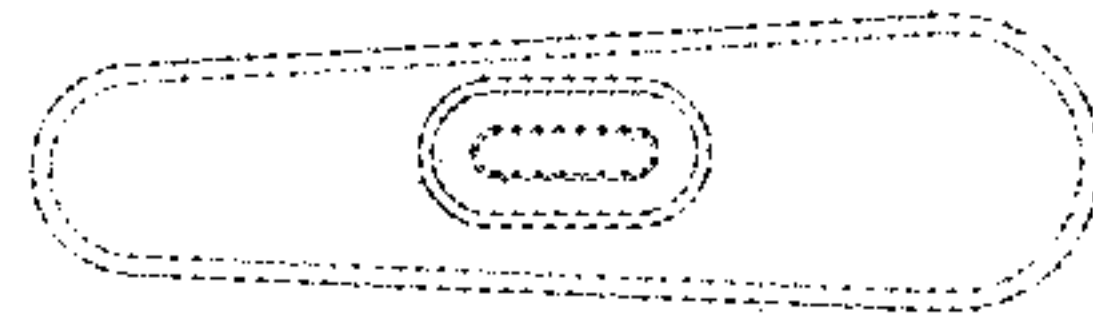


FIG. 7