



US00D925538S

(12) **United States Design Patent**
Twohig et al.

(10) **Patent No.:** **US D925,538 S**

(45) **Date of Patent:** **** Jul. 20, 2021**

(54) **INPUT DEVICE**

(71) Applicant: **Logitech Europe S.A.**, Lausanne (CH)

(72) Inventors: **Marcel Twohig**, Dublin (IE); **Yi Hsuan Lin**, New Taipei (TW); **Anish Shakthi Ovia Selvan**, Bangalore (IN); **Jean-Christophe Hemes**, Grandson (CH); **Jasper Phua**, Morges (CH); **Blaithin Crampton**, County Meath (IE)

(73) Assignee: **Logitech Europe S.A.**, Lausanne (CH)

(**) Term: **15 Years**

(21) Appl. No.: **29/724,421**

(22) Filed: **Feb. 14, 2020**

(51) **LOC (13) Cl.** **04-02**

(52) **U.S. Cl.**
USPC **D14/410**

(58) **Field of Classification Search**
USPC D14/402-411, 356, 388, 389, 383-385, D14/417, 426; 345/156-167; 463/36-38; 358/471, 473; 273/148 B
CPC G06F 3/03543; G06F 2203/0333; G06F 3/039; G06F 3/038; G06F 2203/0384
See application file for complete search history.

(56) **References Cited**

U.S. PATENT DOCUMENTS

D640,257 S * 6/2011 Lee D14/410
D711,380 S * 8/2014 Urban D14/410

D771,046 S * 11/2016 Jost D14/410
D830,361 S * 10/2018 Jin D14/402
D844,000 S * 3/2019 Lee D14/410
D845,300 S * 4/2019 Chong D14/410
D845,948 S * 4/2019 Jin D14/410
D903,679 S * 12/2020 Xu D14/410
D903,680 S * 12/2020 Xu D14/410
D904,409 S * 12/2020 Xu D14/410

* cited by examiner

Primary Examiner — Austin Murphy

(74) *Attorney, Agent, or Firm* — Kilpatrick Townsend & Stockton LLP

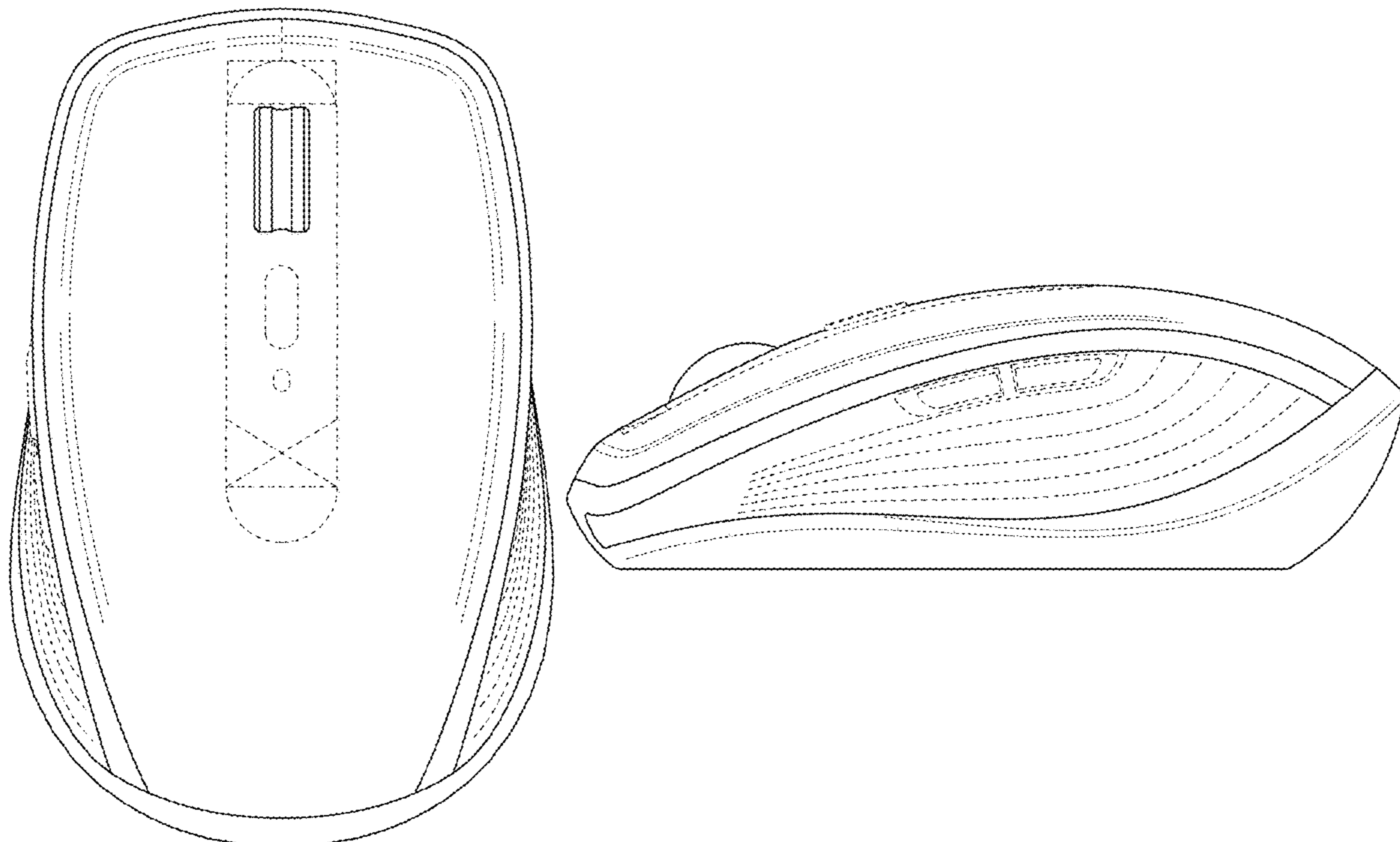
(57) **CLAIM**

The ornamental design for an input device, as shown and described.

DESCRIPTION

FIG. 1 is a perspective view of an input device showing my new design;
FIG. 2 is a top plan view thereof;
FIG. 3 is a bottom plan view thereof;
FIG. 4 is a front side elevation view thereof;
FIG. 5 is a rear side elevation view thereof;
FIG. 6 is a left side elevation view thereof; and,
FIG. 7 is a right side elevation view thereof.
The broken lines depict portions of the input device in which the design is embodied that form no part of the claimed design.

1 Claim, 6 Drawing Sheets



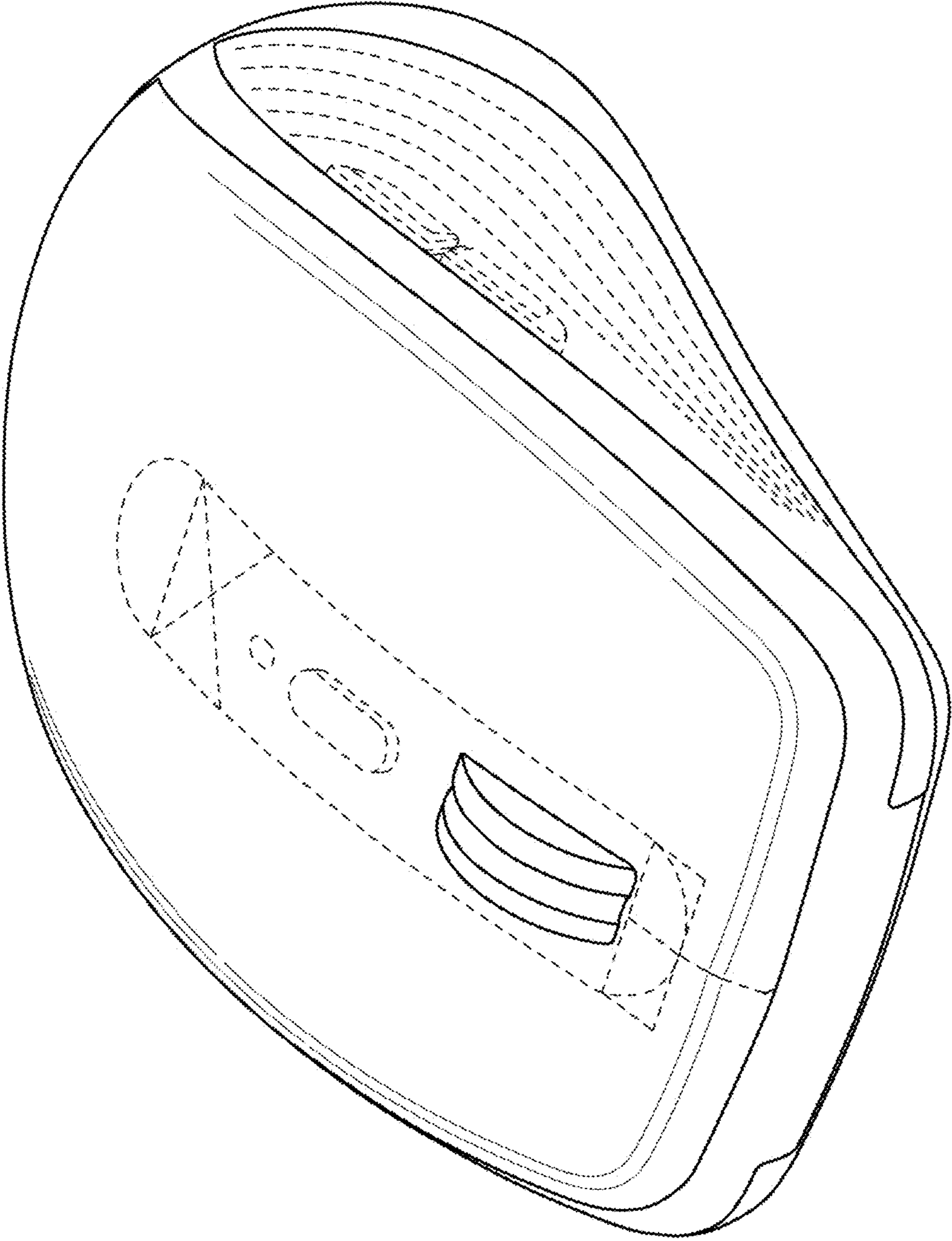


FIG. 1

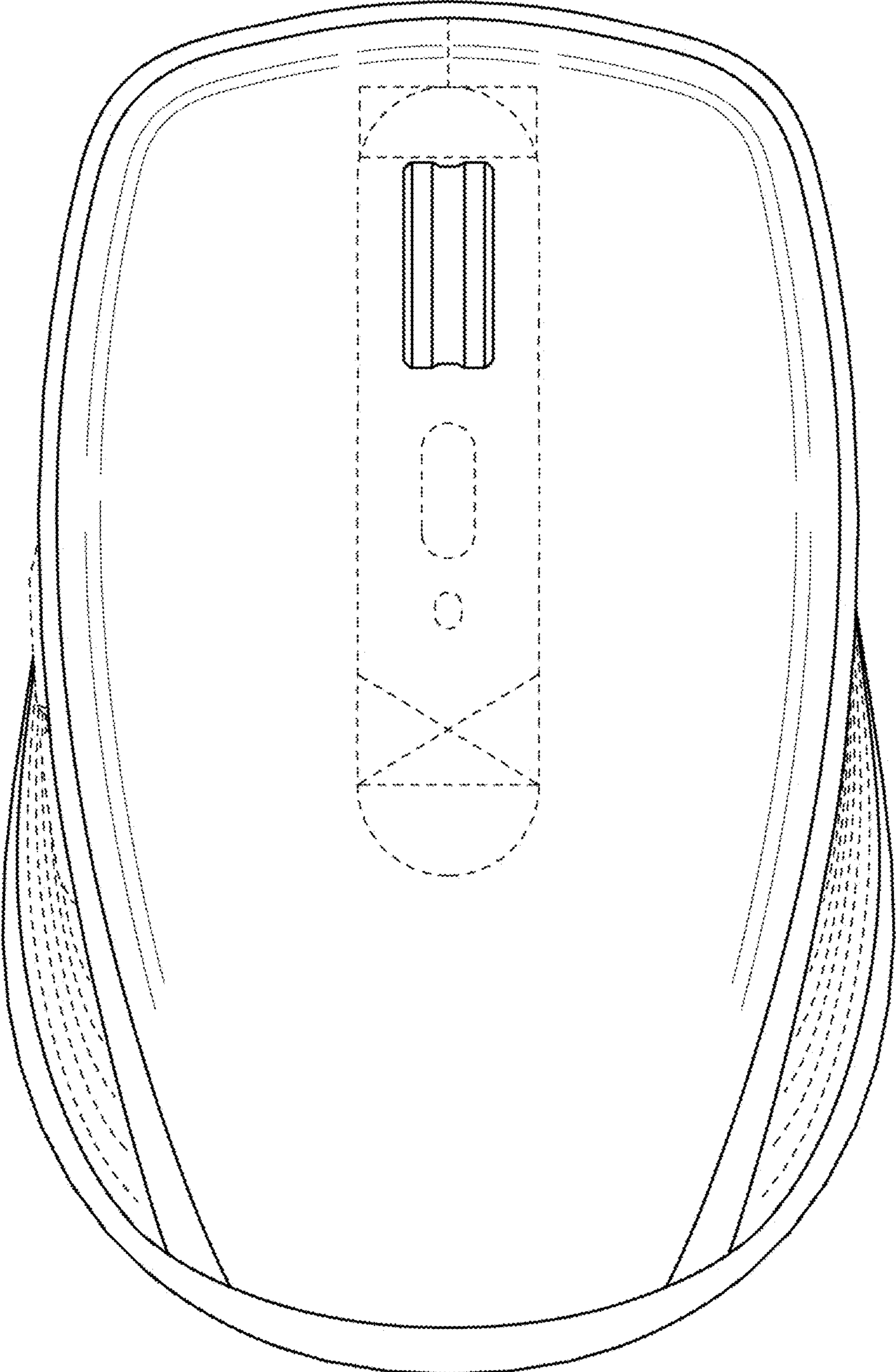


FIG. 2

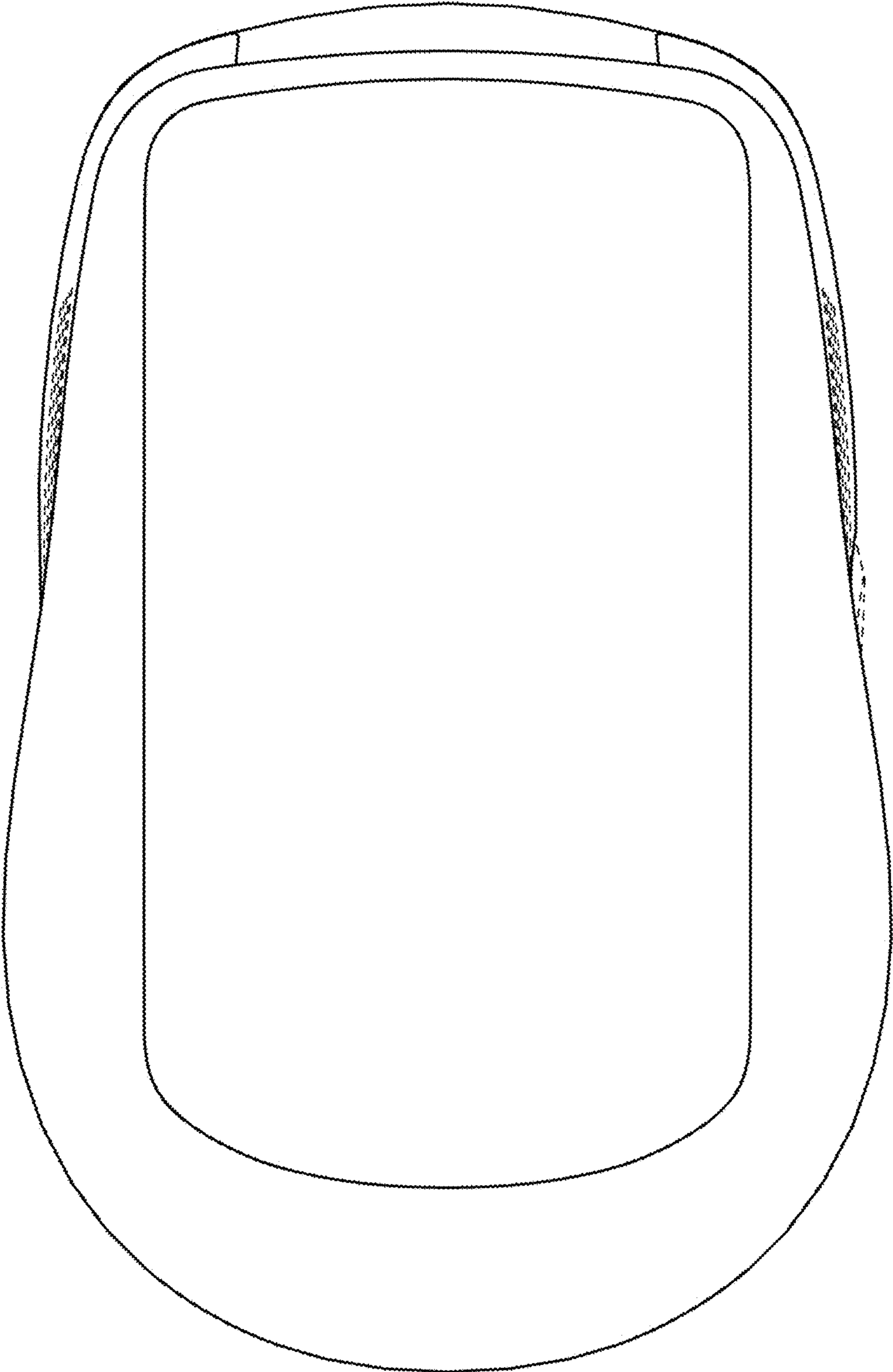


FIG. 3

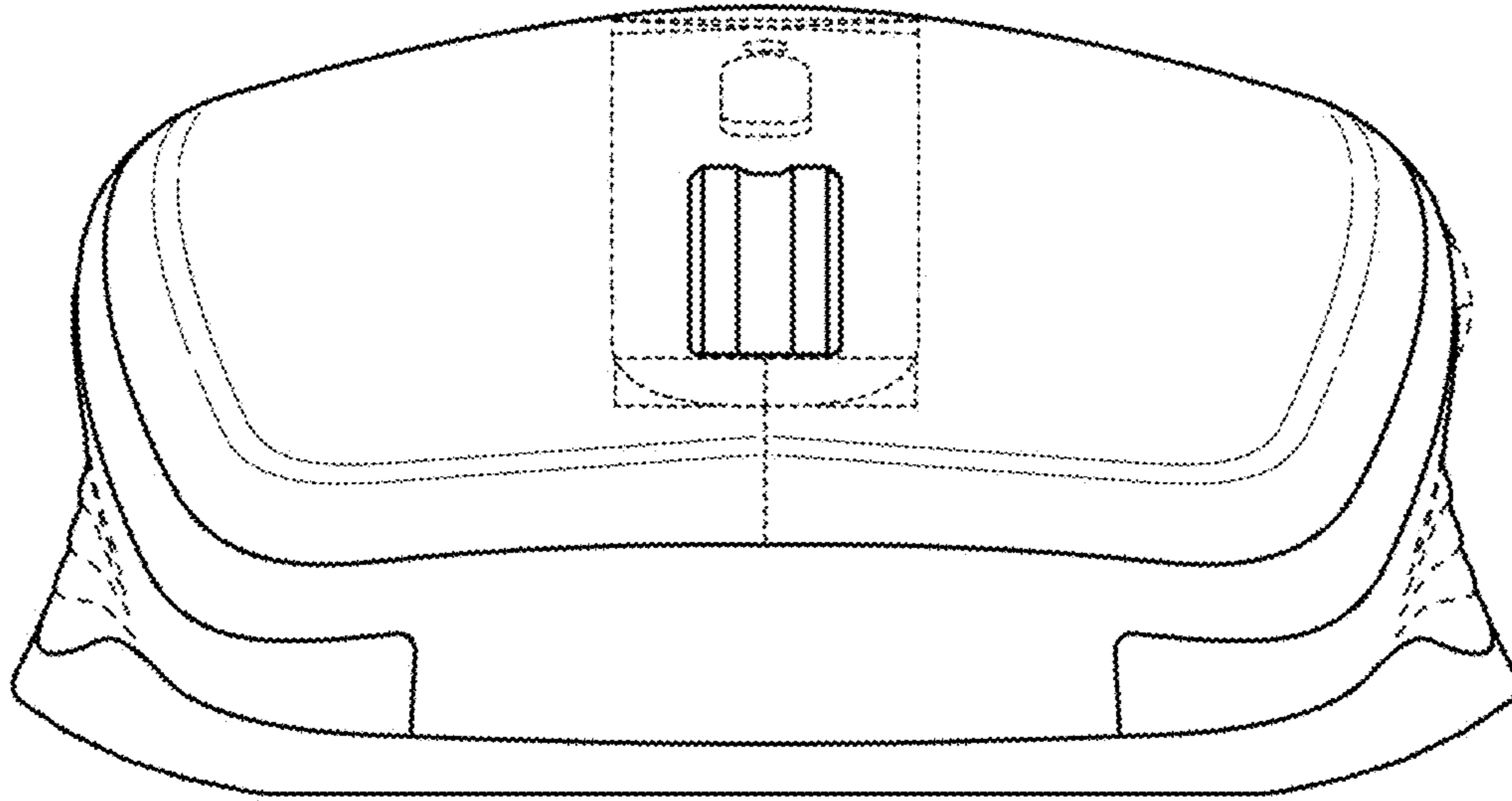


FIG. 4

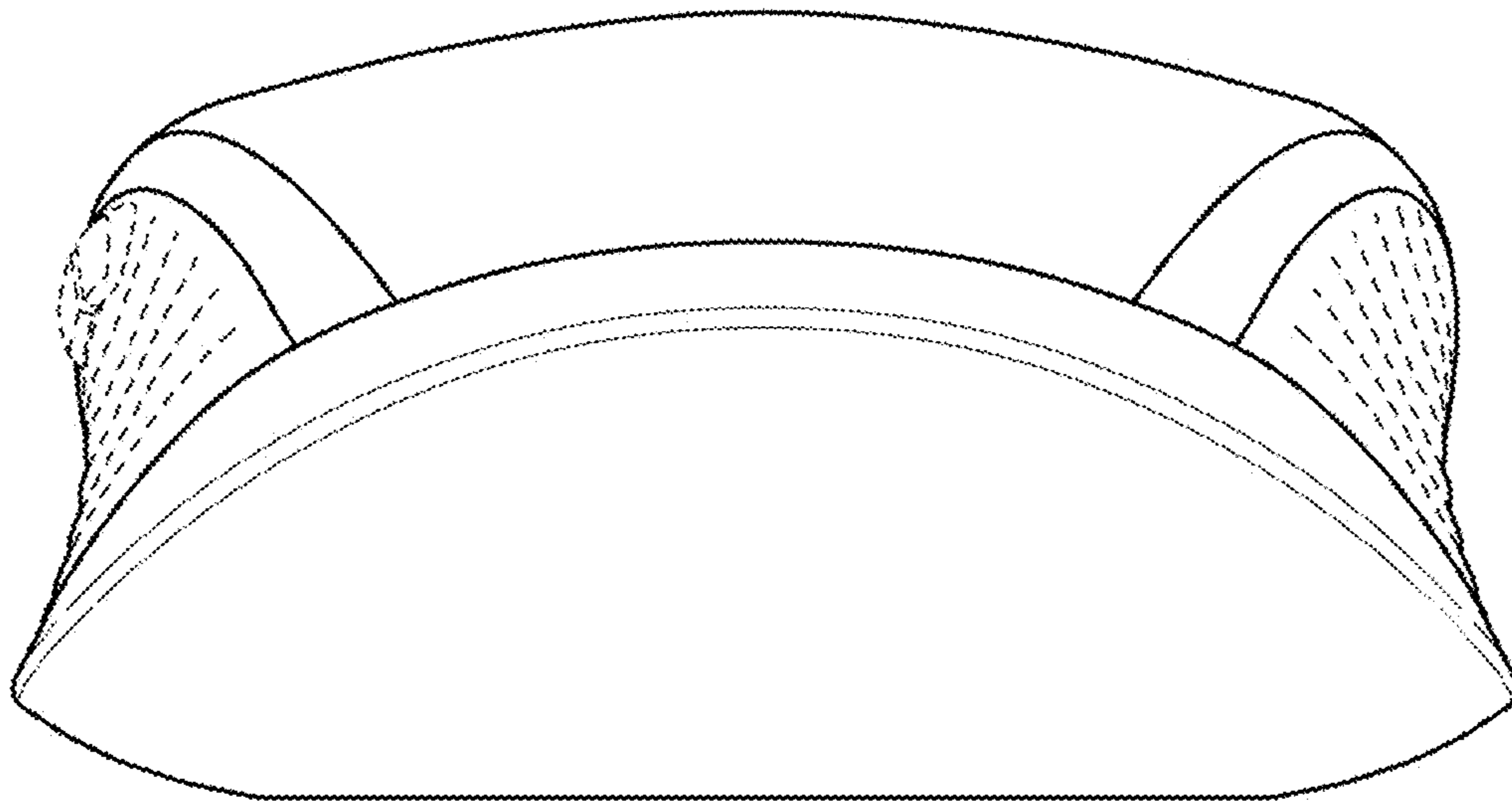


FIG. 5

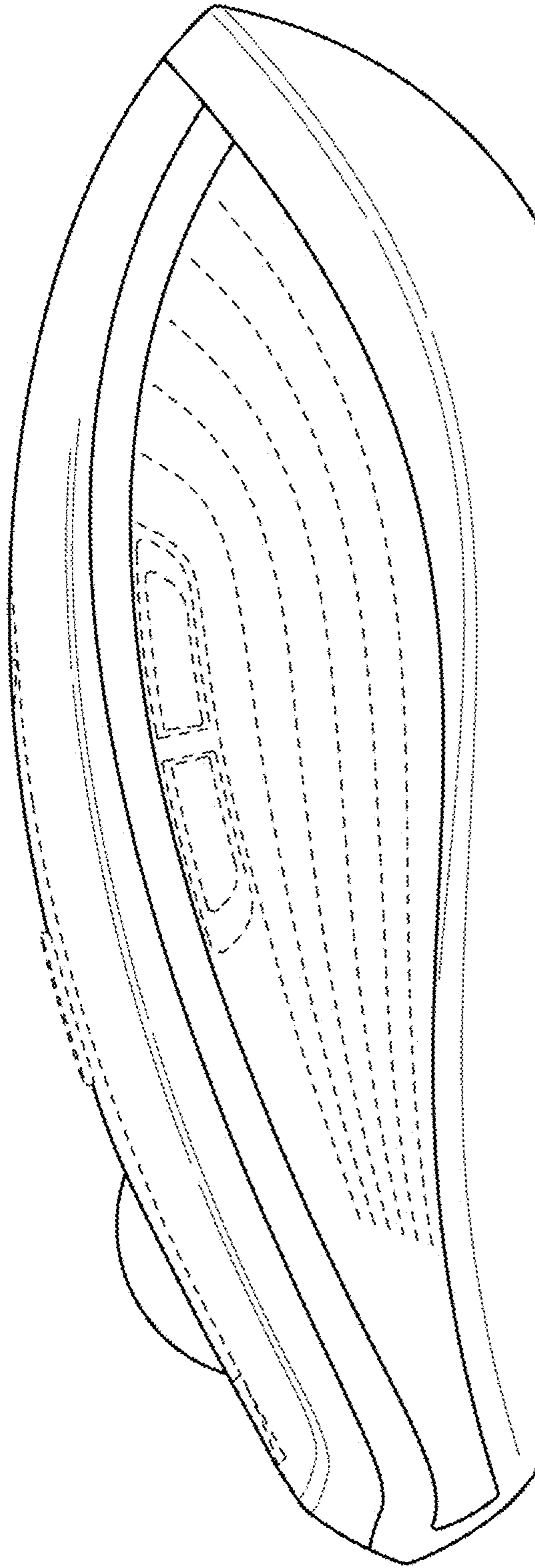


FIG. 6

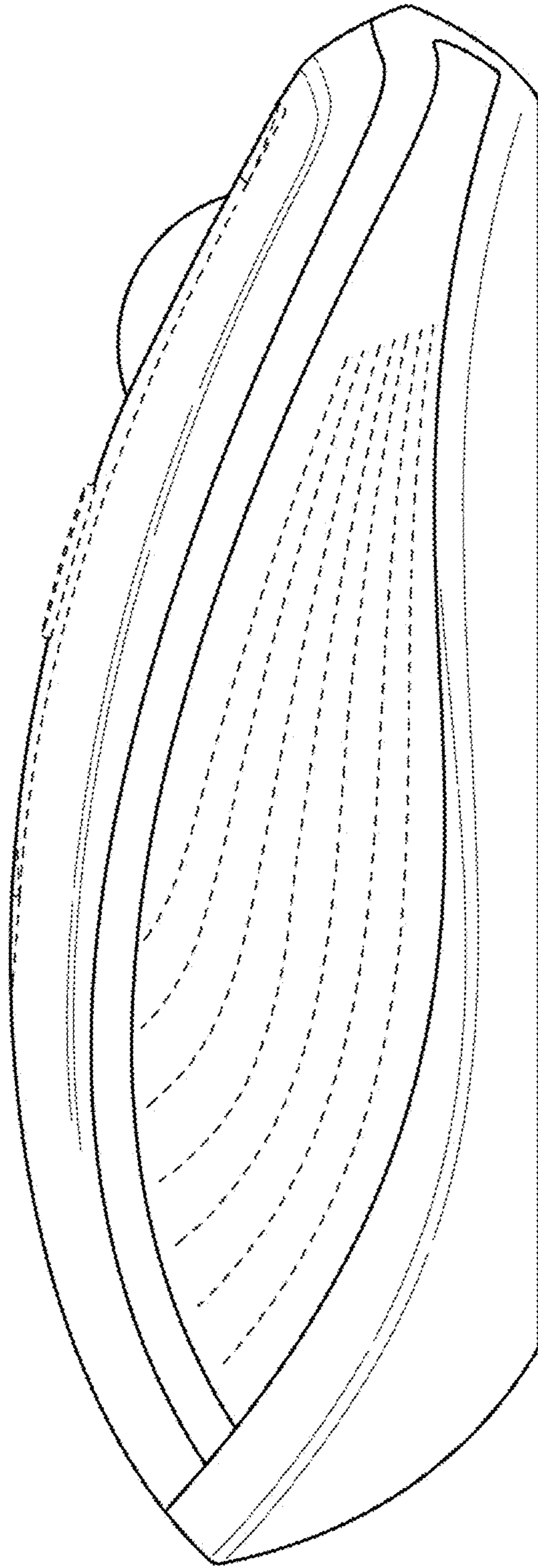


FIG. 7