



US00D925535S

(12) **United States Design Patent**
Chen

(10) **Patent No.:** **US D925,535 S**

(45) **Date of Patent:** **** Jul. 20, 2021**

(54) **MOUSE**

(71) Applicant: **BEIJING XIAOMI MOBILE SOFTWARE CO., LTD.**, Beijing (CN)

(72) Inventor: **Zhenhao Chen**, Beijing (CN)

(73) Assignee: **BEIJING XIAOMI MOBILE SOFTWARE CO., LTD.**, Beijing (CN)

(**) Term: **15 Years**

(21) Appl. No.: **35/507,207**

(22) Filed: **Sep. 26, 2018**

(80) **Hague Agreement Data**

Int. Filing Date: **Sep. 26, 2018**

Int. Reg. No.: **DM/202144**

Int. Reg. Date: **Sep. 26, 2018**

Int. Reg. Pub. Date: **Aug. 9, 2019**

(30) **Foreign Application Priority Data**

Mar. 26, 2018 (CN) 201830113363.5

(51) **LOC (13) Cl.** **14-02**

(52) **U.S. Cl.**
USPC **D14/405**

(58) **Field of Classification Search**

USPC D14/402-410, 356, 388, 417, 426

CPC G06F 3/03543; G06F 3/038; G06F 3/039;
G06F 2203/0333; G06F 2203/0384

See application file for complete search history.

(56) **References Cited**

U.S. PATENT DOCUMENTS

D377,933 S * 2/1997 Harrison D14/403

6,128,006 A * 10/2000 Rosenberg G01C 21/36
345/161

6,417,843 B1 * 7/2002 Stephens G06F 3/03543
248/118.1

D493,174 S * 7/2004 Hsu D14/402

D517,555 S * 3/2006 Disch D14/426
D521,517 S * 5/2006 Canavan D14/402
D614,188 S * 4/2010 Wolff-Petersen D14/402
D615,979 S * 5/2010 Wang D14/405
D640,257 S * 6/2011 Lee D14/410
D693,810 S * 11/2013 Moon D14/409
D697,914 S * 1/2014 Bates D14/402
D709,883 S * 7/2014 Moon D14/402

(Continued)

OTHER PUBLICATIONS

Shenzhen Delux Industry Co Ltd, Chinese design No. 201730099830, published at Designvision, publication date Oct. 27, 2017. Site visited Apr. 10, 2020. Available from Internet. (Year: 2017).*

(Continued)

Primary Examiner — Kathleen L Jones

(74) *Attorney, Agent, or Firm* — Amster, Rothstein & Ebenstein LLP

(57) **CLAIM**

The ornamental design for a mouse, as shown and described.

DESCRIPTION

1. Mouse

1.1 : Front

1.2 : Back

1.3 : Left

1.4 : Right

1.5 : Top

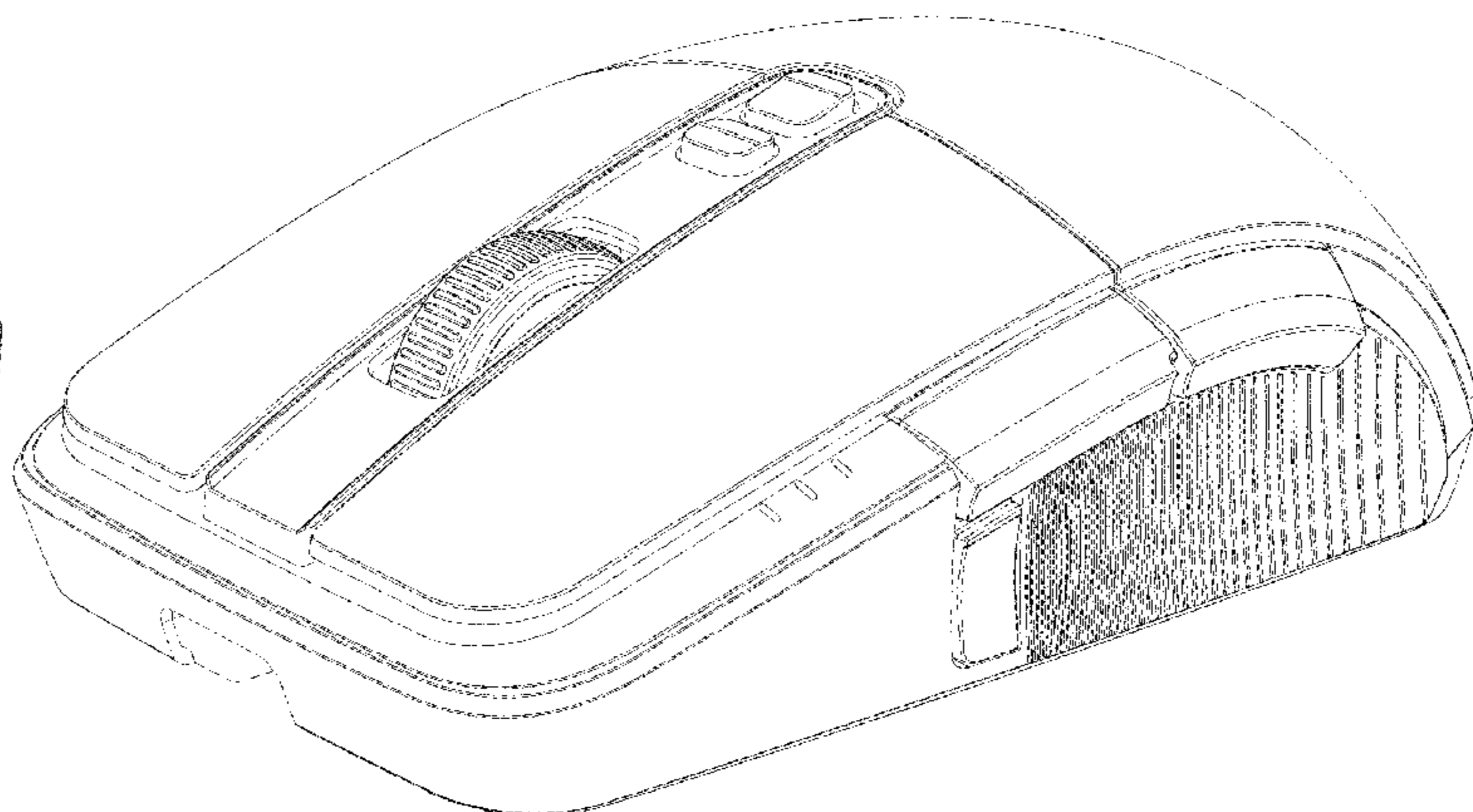
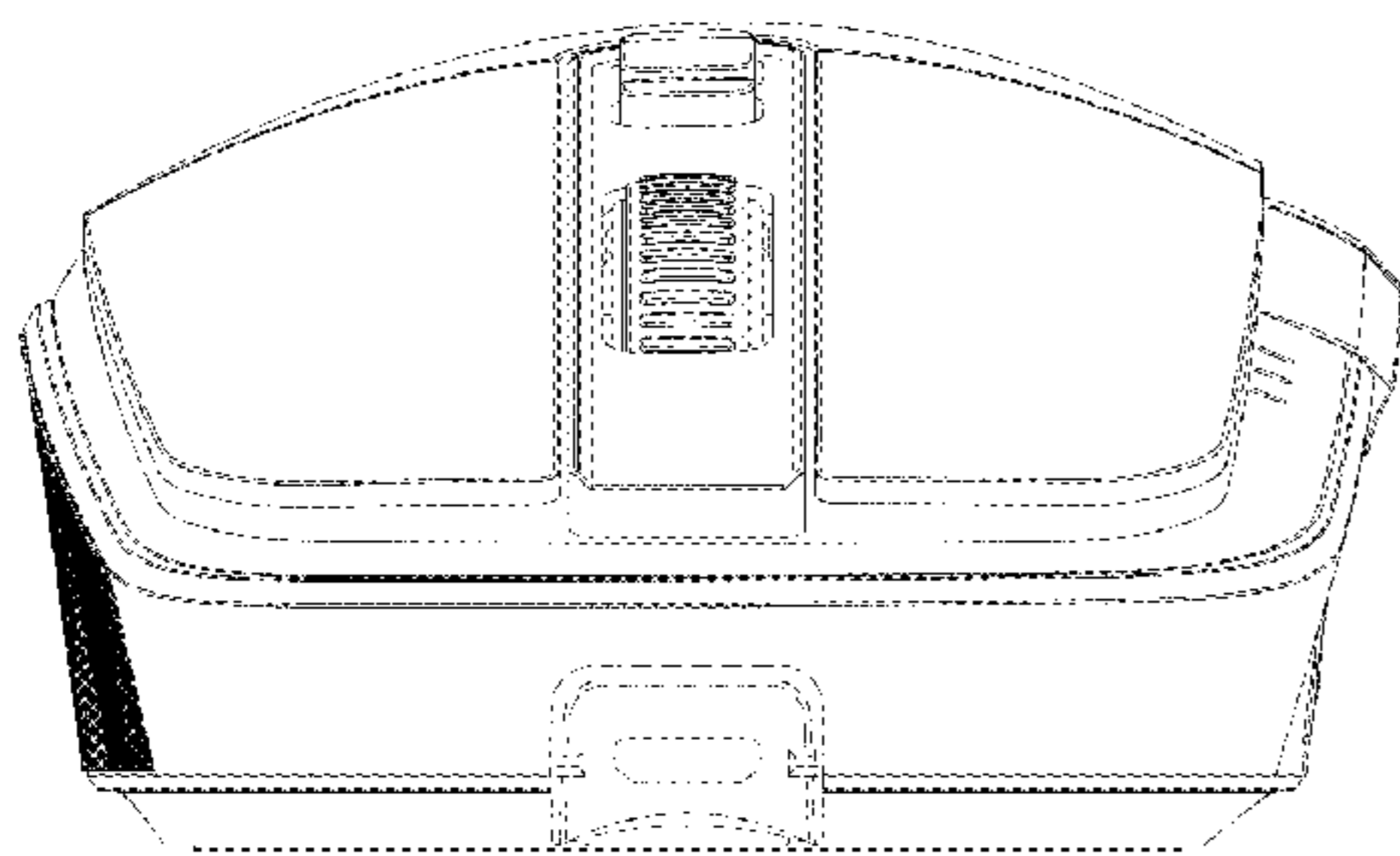
1.6 : Bottom

1.7 : Perspective.

1.1 is a front view of a mouse showing our new design; 1.2 is a rear view thereof; 1.3 is a left side view thereof; 1.4 is a right side view thereof; 1.5 is a top plan view thereof; 1.6 is a bottom plan view thereof; and 1.7 is a perspective view thereof; the present product is used for computer games and business.

The broken lines showing certain features in FIGS. 1.2, 1.6 and 1.7 form no part of the claimed design.

1 Claim, 7 Drawing Sheets



(56)

References Cited

OTHER PUBLICATIONS

U.S. PATENT DOCUMENTS

D755,180	S *	5/2016	Pascucci	D14/409
D762,646	S *	8/2016	Chong	D14/409
D764,470	S *	8/2016	Jost	D14/406
D826,939	S *	8/2018	Chong	D14/402
D829,717	S *	10/2018	Lu	D14/409
D844,000	S *	3/2019	Lee	D14/410
D845,948	S *	4/2019	Jin	D14/410
D853,385	S *	7/2019	Jensen	D14/402
D860,203	S *	9/2019	Chong	D14/402
D892,117	S *	8/2020	Chong	D14/409
D901,504	S *	11/2020	Chen	D14/408
D904,409	S *	12/2020	Xu	D14/410
D912,051	S *	3/2021	Chan	D14/408
2006/0007145	A1 *	1/2006	Naghi	G06F 3/03543 345/163
2014/0022748	A1 *	1/2014	Lin	G06F 3/03543 361/752
2014/0232654	A1 *	8/2014	Lee	G06F 3/03543 345/163
2018/0277058	A1 *	9/2018	Zhang	G06F 3/0362
2020/0209981	A1 *	7/2020	Unnikrishnan	G06F 3/038
2021/0004091	A1 *	1/2021	Rizvi	G06F 3/03543

Shen Zhen City Fu Tian Qu Saige, Chinese design No. 201330379486, published at Design Vision, publication date Mar. 12, 2014. Site visited Apr. 10, 2020. Available from Internet/ (Year: 2014).*

Alike Technology Co Ltd, Chinese design No. 201730199457.4, published at Design Vision, publication date Oct. 17, 2017. Site visited Apr. 10, 2020. Available from Internet. (Year: 2017).*

Ho Chien-Ming, Chinese design No. 201230416199, published at DesignVision, publication date Apr. 3, 2013. Site visited Apr. 10, 2020. Available from Internet. (Year: 2013).*

Jiangsu Runmei Investment and Development Ltd, Chinese design No. 201630188976, posted at DesignVision, publication date Nov. 30, 2016. Site visited Apr. 10, 2020. Available from Internet. (Year: 2016).*

Hodgson, Matthew, Razer Mamba HyperFlux + Firefly HyperFlux Review, posted at Vortez, posting date Mar. 15, 2018. Site visited Apr. 10, 2020. URL: <https://www.vortez.net/articles_pages/razer_mamba_hyperflux_firefly_hyperflux_review,4.html> (Year: 2018).*

* cited by examiner

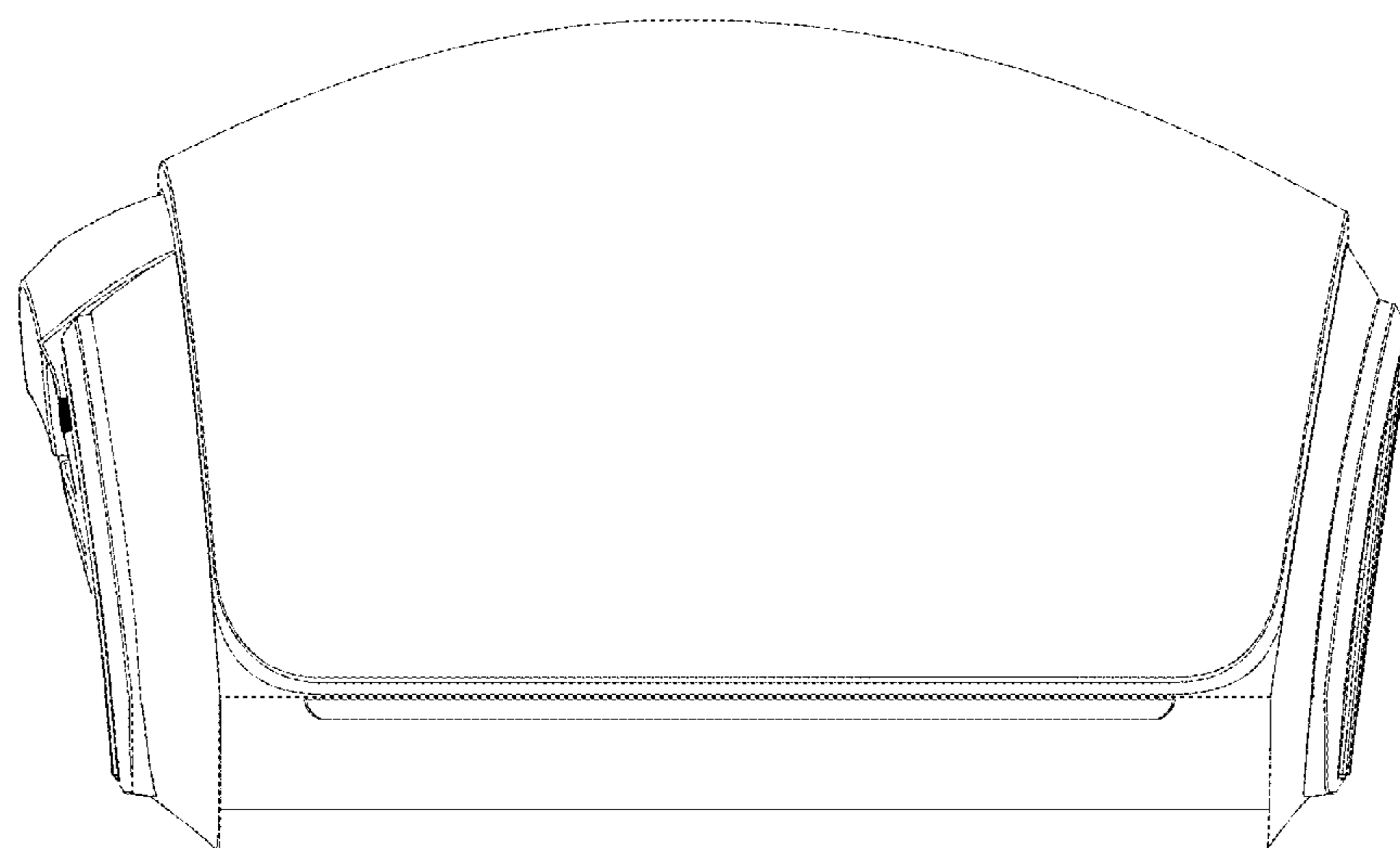


FIG 1.1

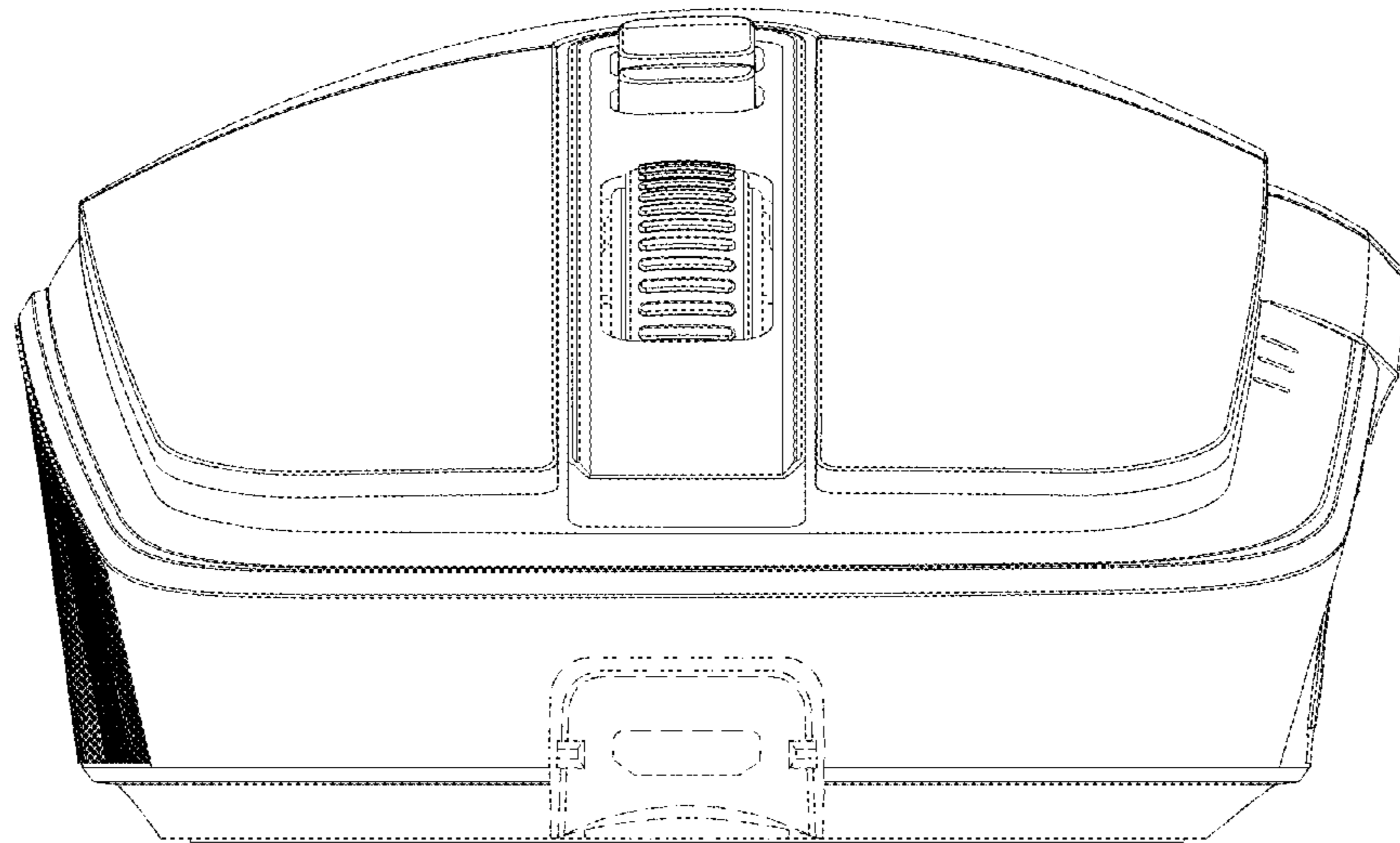


FIG 1.2

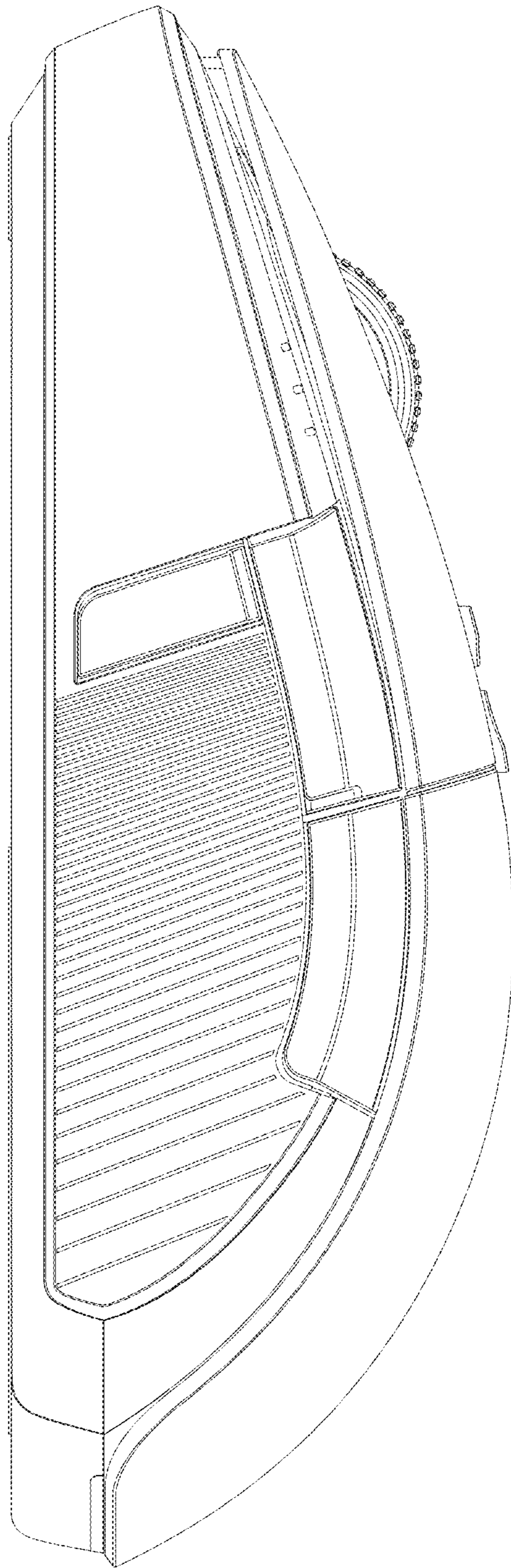


FIG 1.3

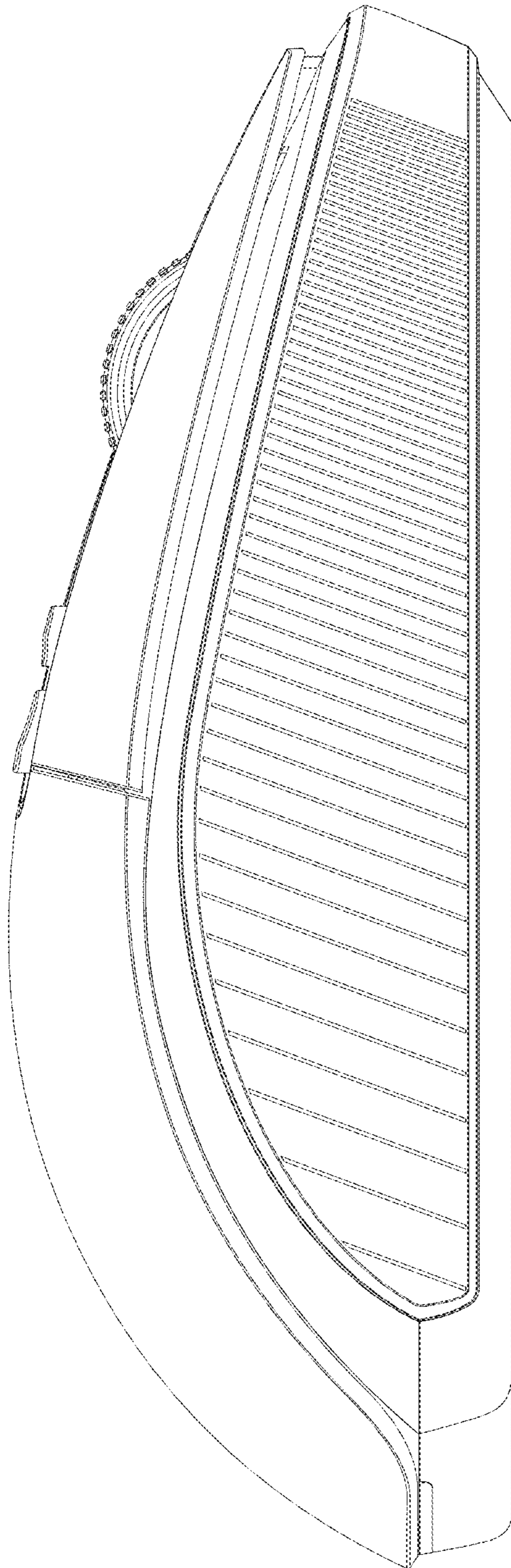


FIG 1.4

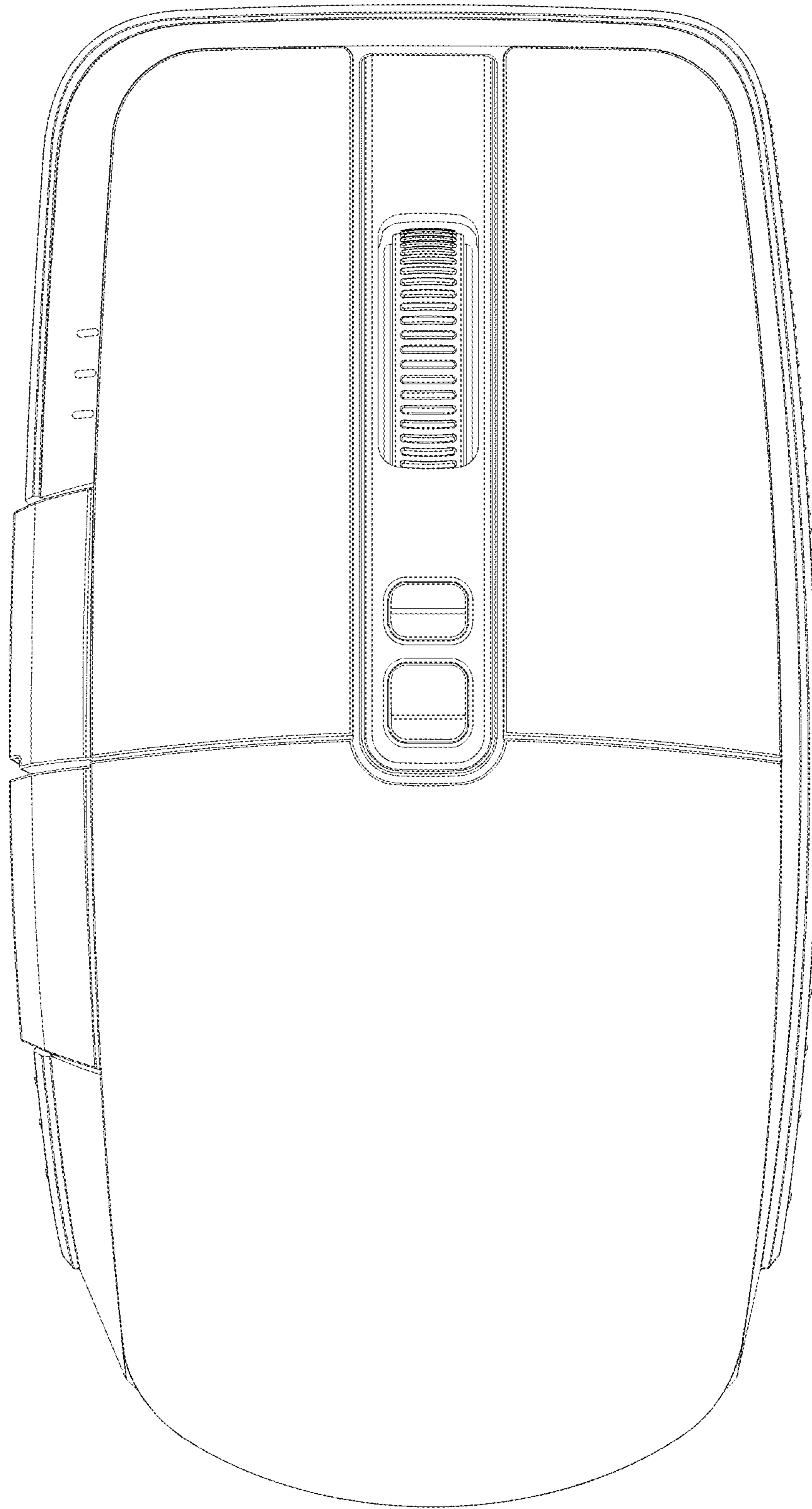


FIG 1.5

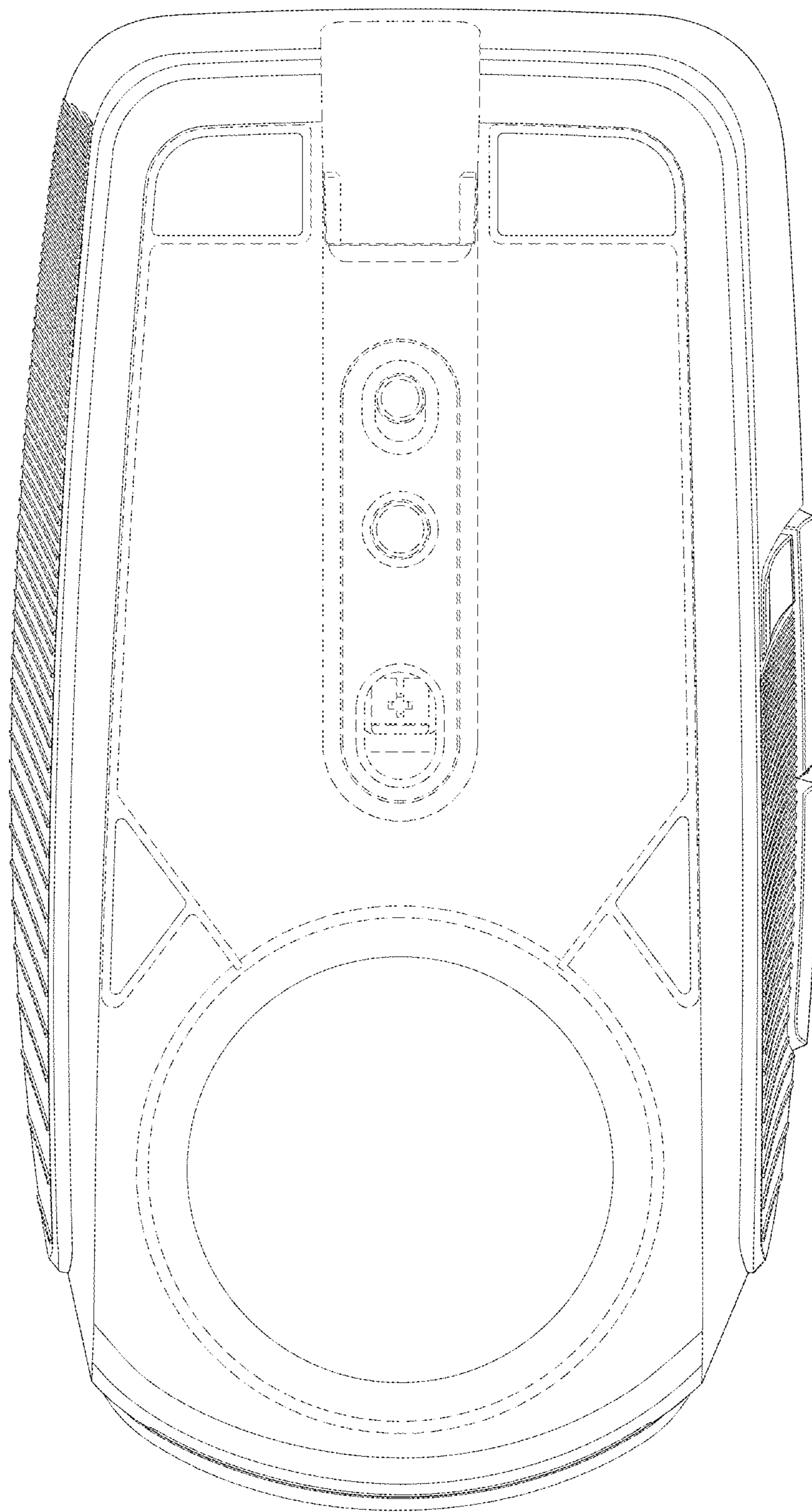


FIG 1.6

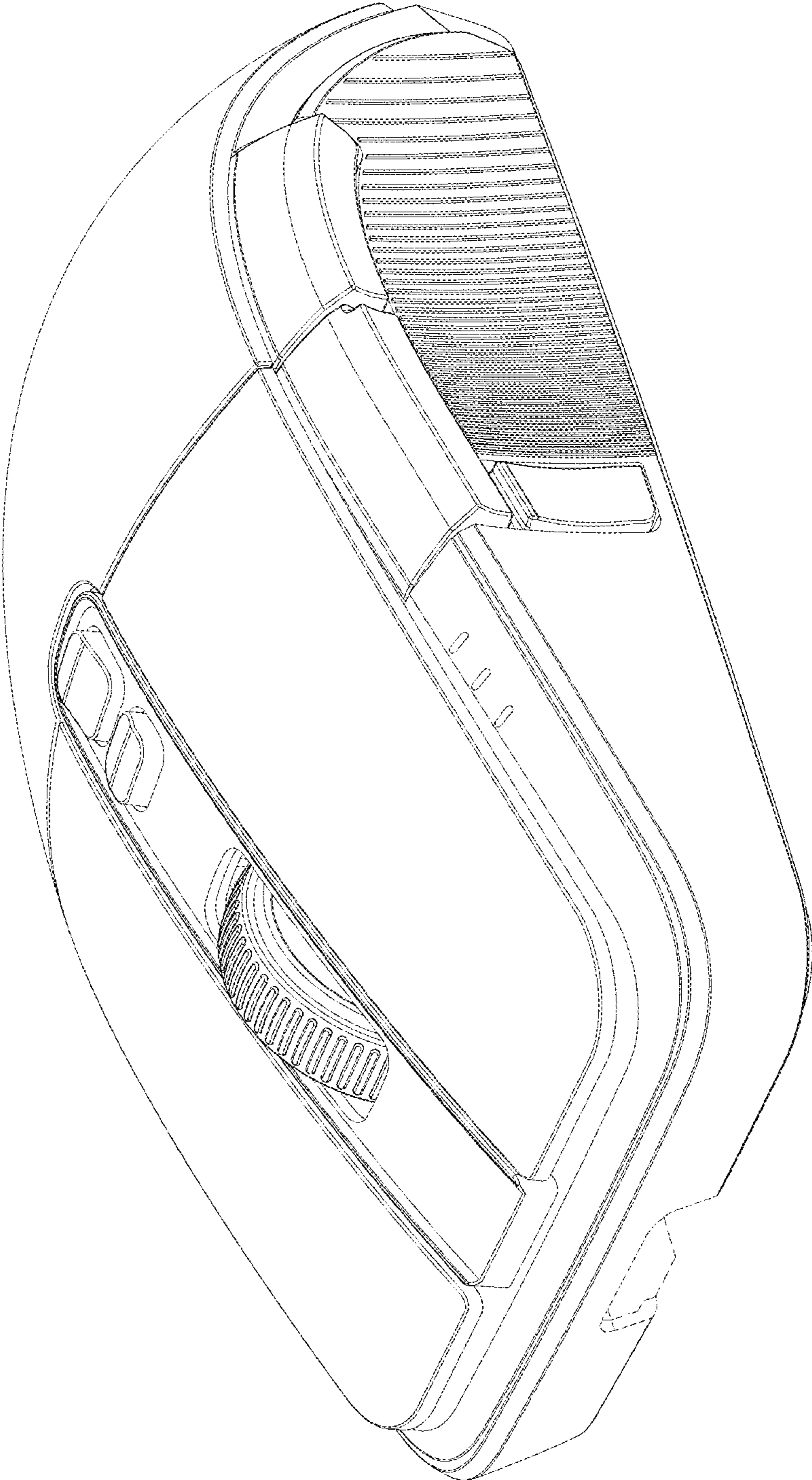


FIG 1.7