

US00D925533S

(12) **United States Design Patent**
Zhang

(10) **Patent No.:** **US D925,533 S**
(45) **Date of Patent:** **** Jul. 20, 2021**

(54) **KEYBOARD**

FOREIGN PATENT DOCUMENTS

(71) Applicant: **Beijing Jingheng Tengwei Kejian Trading Co., Ltd.**, Beijing (CN)

CN 304333083 * 10/2017
CN 305307189 * 8/2019

(Continued)

(72) Inventor: **Jin Zhang**, Beijing (CN)

OTHER PUBLICATIONS

(73) Assignee: **Beijing Jingheng Tengwei Kejian Trading Co., Ltd.**, Beijing (CN)

Cloud Nine C989M Ergonomic Mechanical Keyboard, Goprene, amazon.com, published by Goprene, first available Jan. 29, 2020 © 1996-2020 Amazon.com, Inc., online, site visited Dec. 7, 2020. Available from Internet, URL: <https://www.amazon.com/Cloud-C989M-Ergonomic-Mechanical-Keyboard/dp/B084BP8T18> (Year: 2020).*

(Continued)

(**) Term: **15 Years**

(21) Appl. No.: **29/714,277**

(22) Filed: **Nov. 21, 2019**

(51) **LOC (13) Cl.** **14-02**

(52) **U.S. Cl.**
USPC **D14/393**

(58) **Field of Classification Search**
USPC D14/247, 315-327, 331-333, 338,
D14/345-347, 387, 390-401, 406, 429,
D14/455-457, 460-461; D18/1-2,
D18/4.1-4.6, 7, 11, 12.2, 52; D21/324,
D21/409
CPC B41J 5/00; B41J 5/10; B41J 5/12; G06F
3/021; G06F 3/0216; G06F 3/0219; G06F
3/02

See application file for complete search history.

Primary Examiner — Marissa J Cash
Assistant Examiner — Altaira J Swangin

(57) **CLAIM**

The ornamental design for a keyboard, as shown and described.

DESCRIPTION

FIG. 1 is a perspective view of a keyboard showing my new design;
FIG. 2 is a front elevational view thereof;
FIG. 3 is a rear elevational view thereof;
FIG. 4 is a left side elevational view thereof;
FIG. 5 is a right side elevational view thereof;
FIG. 6 is a top plan view thereof;
FIG. 7 is a bottom plan view thereof;
FIG. 8 is a rear top right perspective view of the keyboard;
and,
FIG. 9 is a rear bottom right perspective view of the keyboard.
The broken lines in the drawings illustrate portions of the keyboard that form no part of the claimed design.

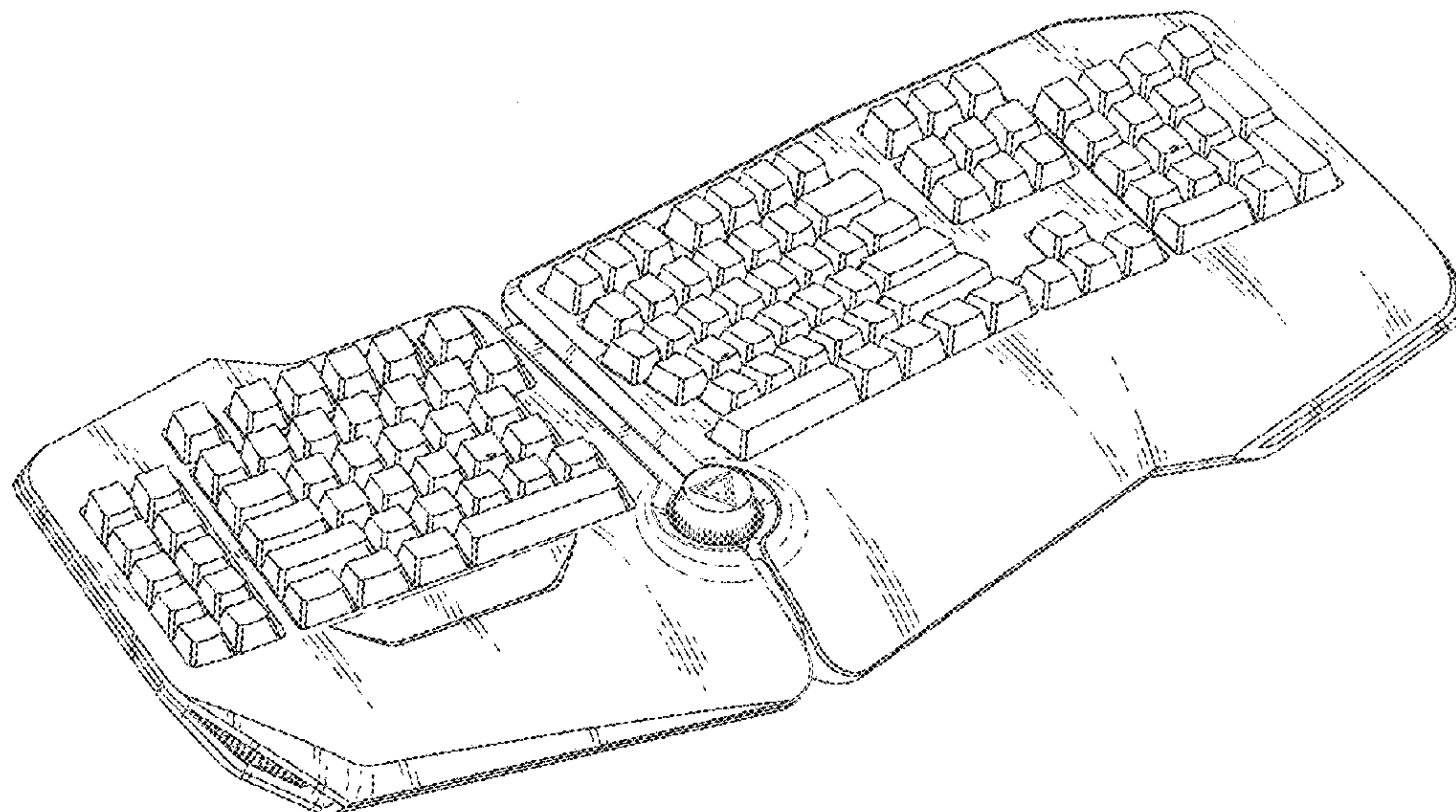
(56) **References Cited**

U.S. PATENT DOCUMENTS

D340,445 S	*	10/1993	Marquardt	D14/393
D357,011 S	*	4/1995	Pauli	D14/393
D357,476 S	*	4/1995	Pauli	D14/393
D357,911 S	*	5/1995	Grant	D14/393
D362,432 S	*	9/1995	Pauli	D14/393
D362,434 S	*	9/1995	Abell, Jr.	341/22
D380,465 S	*	7/1997	Chang	D14/395
D394,045 S	*	5/1998	Iino	D14/320
D399,838 S	*	10/1998	Tsai	D14/393
5,949,643 A	*	9/1999	Batio	G06F 1/1616 361/679.27

(Continued)

1 Claim, 9 Drawing Sheets



(56)

References Cited

U.S. PATENT DOCUMENTS

D428,888 S * 8/2000 Ledbetter D14/393
 D428,889 S * 8/2000 Chen D14/393
 D442,589 S * 5/2001 Ledbetter D14/393
 D443,272 S * 6/2001 Sheehan D14/393
 D450,056 S * 11/2001 Ledbetter D14/460
 D458,605 S * 6/2002 Tritschler D14/398
 D458,606 S * 6/2002 Tritschler D14/398
 D468,320 S * 1/2003 Jones D14/399
 6,972,749 B2 * 12/2005 Hinckley G06F 3/021
 345/156
 D546,831 S * 7/2007 O'Neil D14/455
 D590,397 S * 4/2009 O'Neill D14/398
 D599,351 S * 9/2009 Manalo D14/393
 D611,481 S * 3/2010 Manalo D14/455
 D625,309 S * 10/2010 Haase D14/391
 D720,751 S * 1/2015 He D14/392
 D786,869 S * 5/2017 Liunan D14/396
 D803,835 S * 11/2017 Zheng D14/398
 2003/0011496 A1 * 1/2003 Yu H01H 13/84
 341/23
 2006/0275069 A1 * 12/2006 Jones G06F 3/0216
 400/490
 2007/0014621 A1 * 1/2007 Lane A47B 21/0371
 400/715
 2008/0138136 A1 * 6/2008 Sauvage G06F 3/0216
 400/488

FOREIGN PATENT DOCUMENTS

CN 305321358 * 8/2019
 EM 007187158-0001 * 11/2019

OTHER PUBLICATIONS

RK829 Keyboard, Beijing JingHeng TengWei Kejian Trading Co.,
 globalsources.com, author and date not listed © 2021 Publishers
 Representatives Limited, online, site visited Feb. 17, 2021. URL:
<https://www.globalsources.com/si/AS/Beijing-JingHengTengWei/6008830132000/pdtl/RK829/117225648> (Year: 2021).*

RK829 Ergonomic Gaming Keyboard, RK Royal Kludge, amazon.
 com, published by RK Royal Kludge on Jul. 20, 2020 © 1996-2021
 Amazon.com, Inc., online, site visited Feb. 17, 2021. Available from
 Internet, URL: <https://www.amazon.com/RK-ROYAL-KLUDGE-Ergonomic-Mechanical/dp/B08D9JL6T8> (Year: 2020).*

* cited by examiner

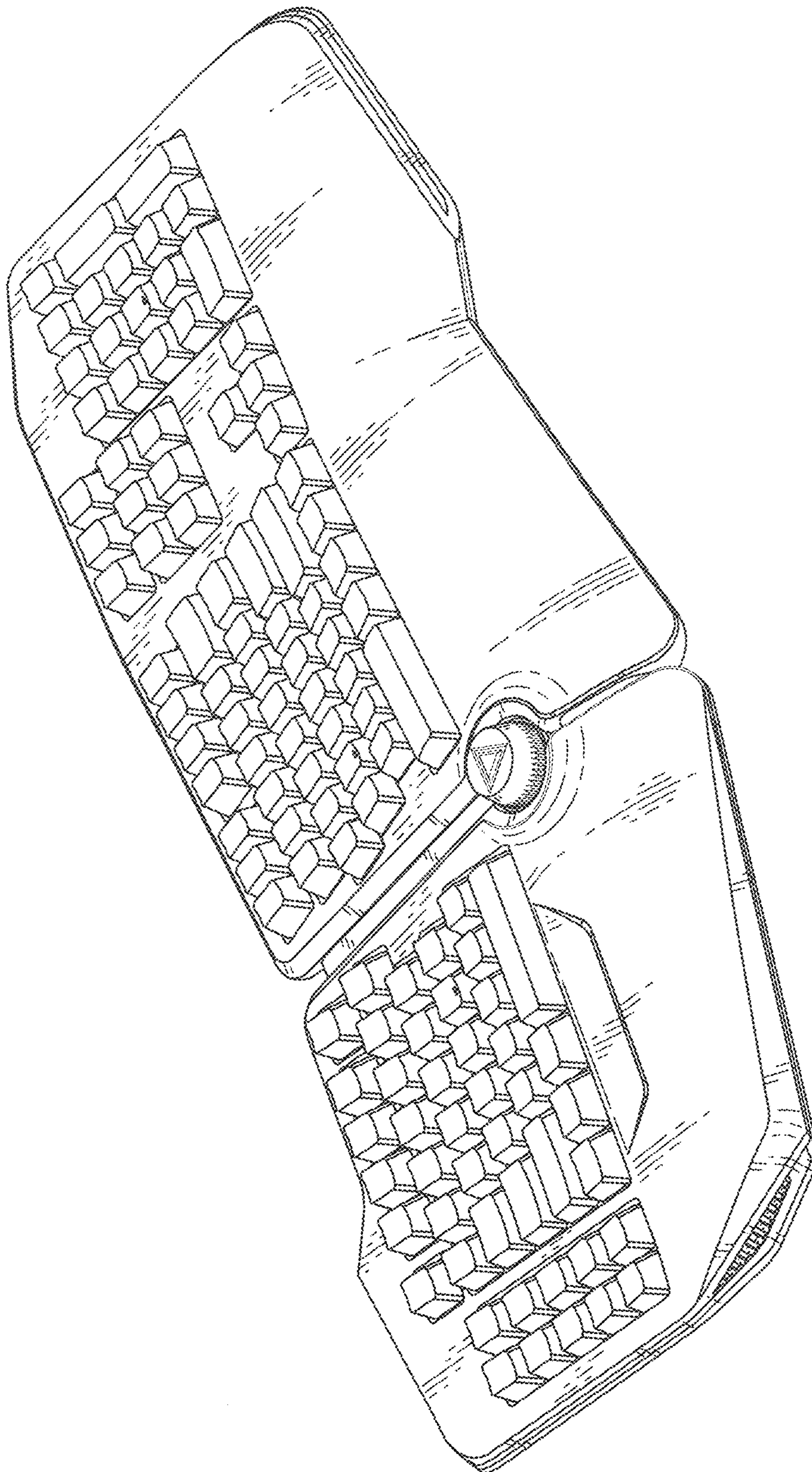


FIG. 1

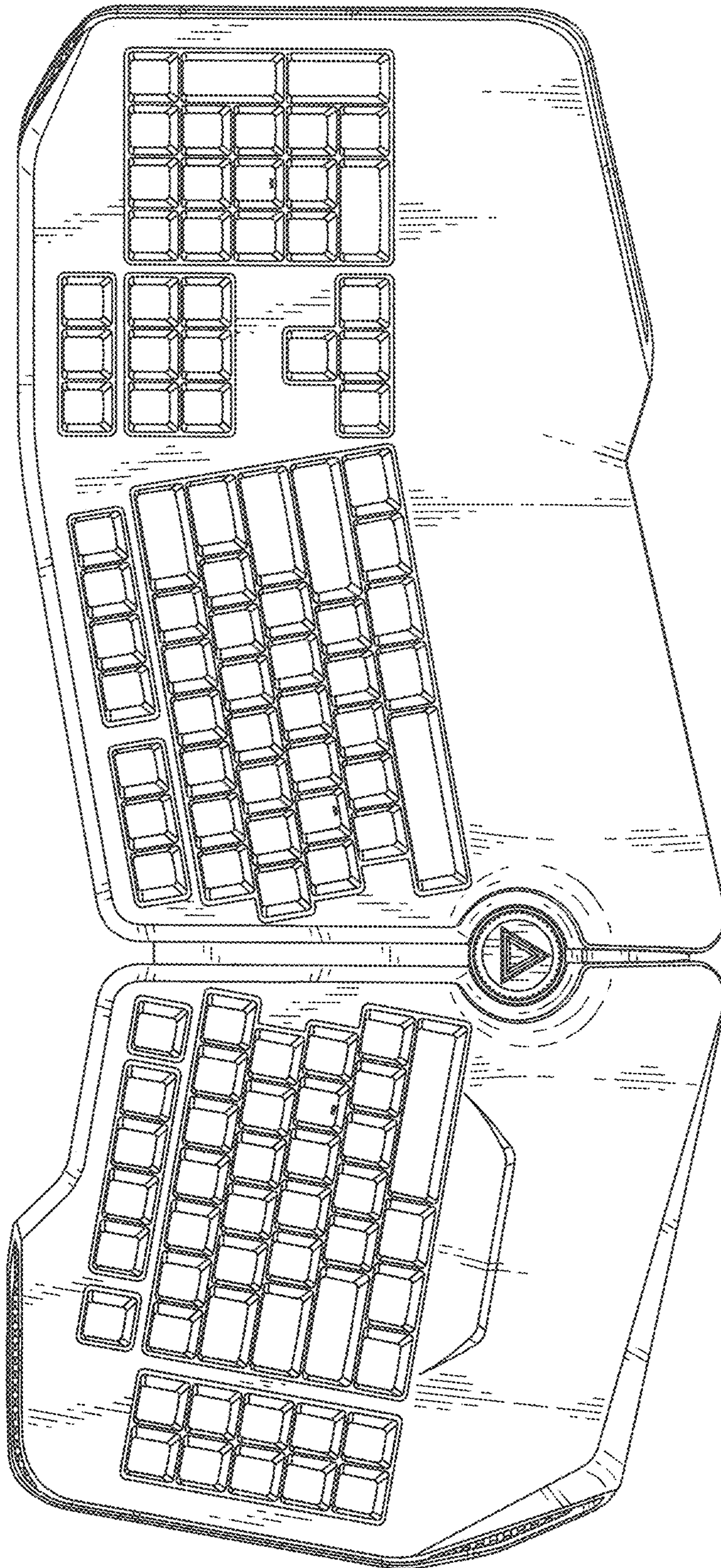


FIG. 2

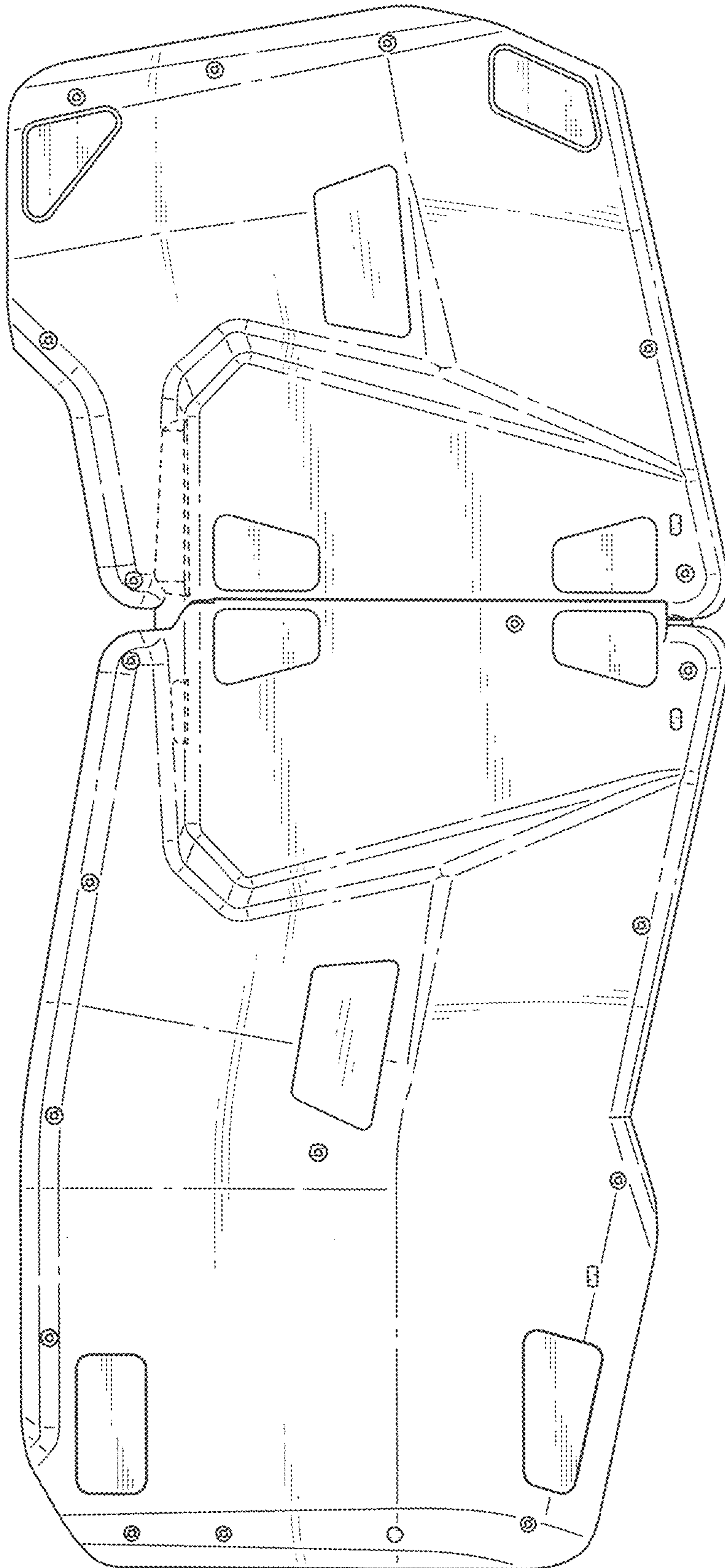


FIG. 3

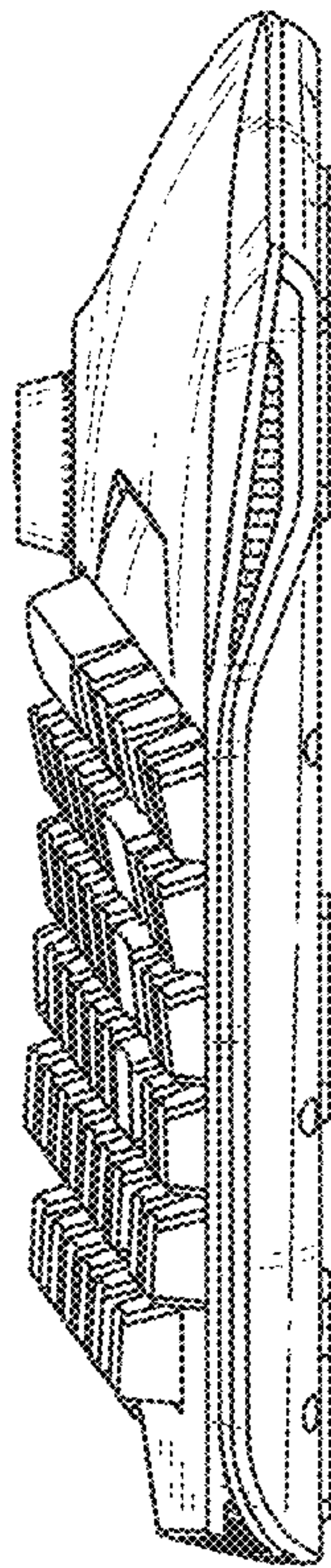


FIG. 4

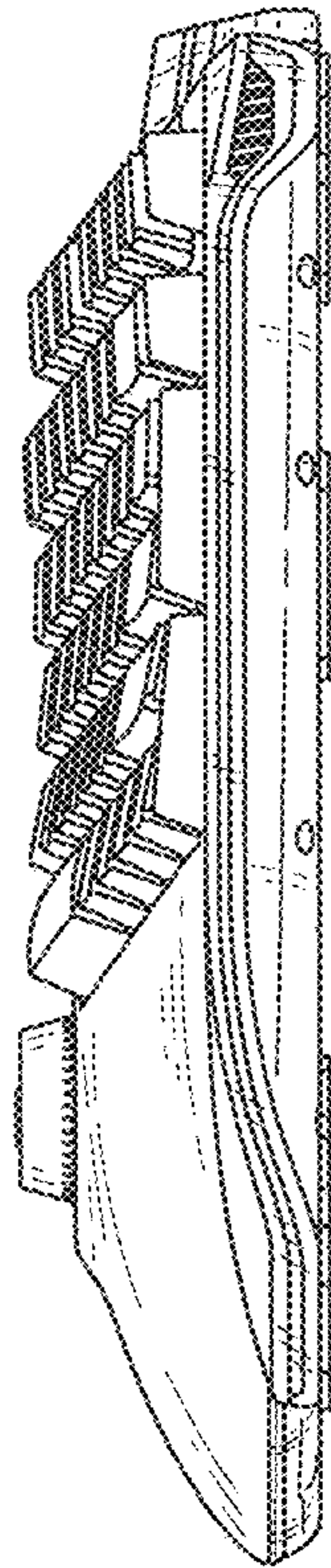


FIG. 5

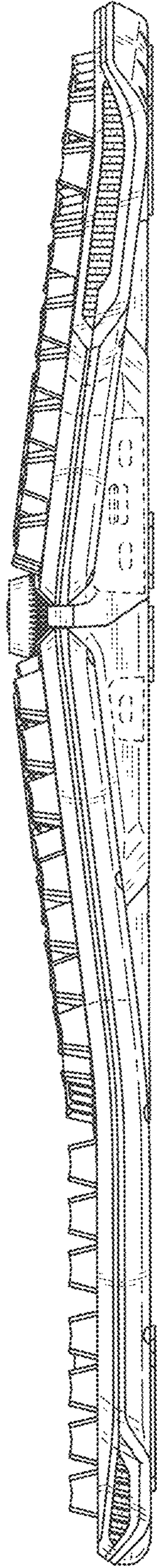


FIG. 6

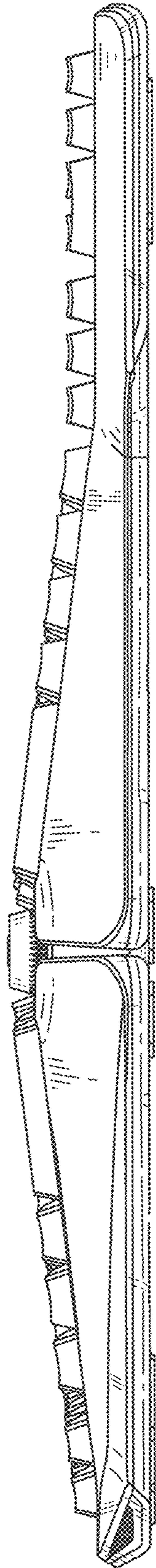


FIG. 7

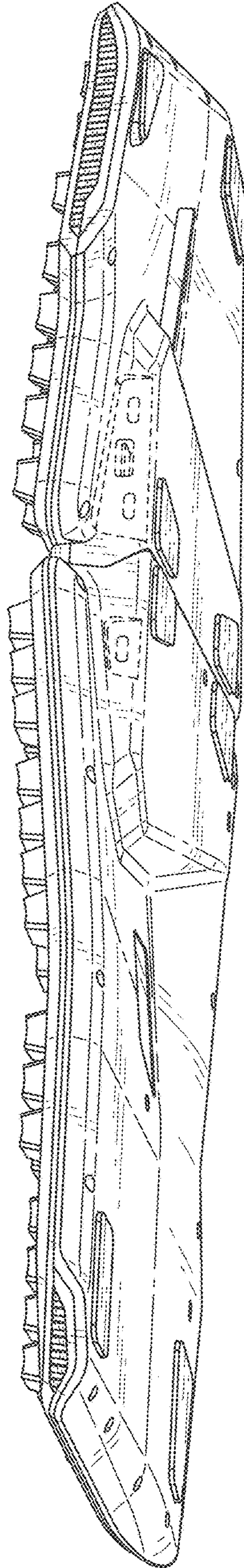


FIG. 8

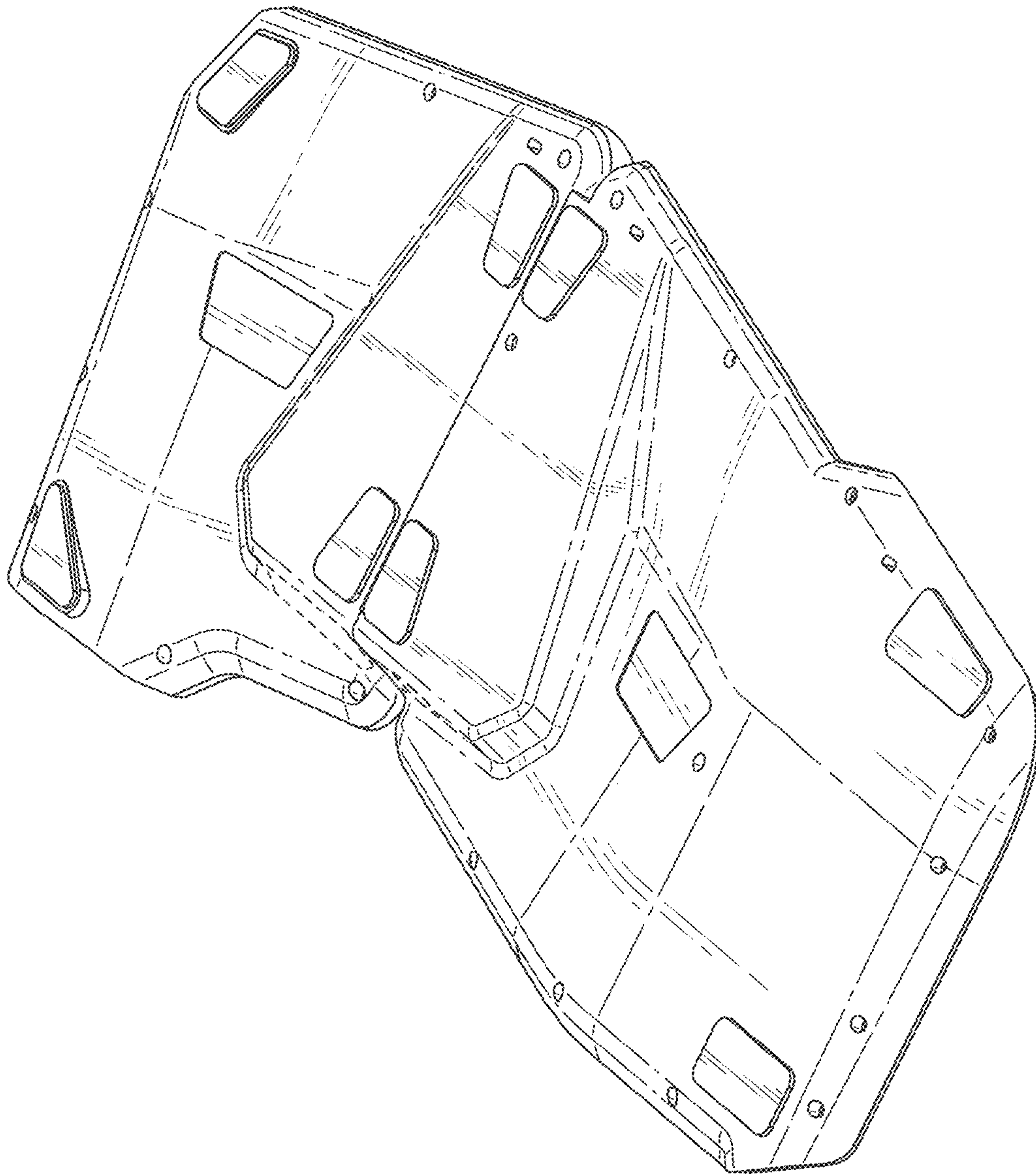


FIG. 9