



US00D925526S

(12) **United States Design Patent**
Peng et al.

(10) **Patent No.:** **US D925,526 S**

(45) **Date of Patent:** **** Jul. 20, 2021**

(54) **ELECTRONIC DEVICE**

(71) Applicant: **Western Digital Technologies, Inc.**,
San Jose, CA (US)

(72) Inventors: **Steven Tzu-Yen Peng**, Irvine, CA (US);
Gregory A. VanderPol, Long Beach,
CA (US); **Mark F. Sterzick**, Torrance,
CA (US)

(73) Assignee: **Western Digital Technologies, Inc.**,
San Jose, CA (US)

(**) Term: **15 Years**

(21) Appl. No.: **29/662,081**

(22) Filed: **Aug. 31, 2018**

(51) **LOC (13) Cl.** **14-02**

(52) **U.S. Cl.**
USPC **D14/353**

(58) **Field of Classification Search**
USPC D14/300–302, 313–314, 348, 353–370,
D14/361–363, 365, 383–385, 135, 155,
D14/240–242

(Continued)

(56) **References Cited**

U.S. PATENT DOCUMENTS

D263,561 S * 3/1982 Wong D3/295
D322,963 S * 1/1992 Kittirutsunetorn D14/242

(Continued)

OTHER PUBLICATIONS

WD 1 TB Gaming Drive Accelerated for Xbox One, posted at B&H,
posting date not available. Site visited Dec. 29, 2020. URL: <https://www.bhphotovideo.com/c/product/1515324-REG/wd_wdba4v0010bwb_wesn_wd_gaming_drive_accelerated.html> (Year:
2020).*

(Continued)

Primary Examiner — Kathleen L Jones

(74) *Attorney, Agent, or Firm* — Brinks Gilson & Lione

(57) **CLAIM**

The ornamental design for an electronic device, as shown
and described.

DESCRIPTION

FIG. 1 is a top, front, and side isometric view of a first
embodiment of an electronic device embodying the new
design;

FIG. 2 is a bottom, back, and side isometric view thereof;

FIG. 3 is a front view thereof;

FIG. 4 is a back view thereof;

FIG. 5 is a first side view thereof;

FIG. 6 is a second side view thereof;

FIG. 7 is a top view thereof;

FIG. 8 is a bottom view thereof;

FIG. 9 is a cross-sectional view along lines 9-9 in FIG. 7;
and

FIG. 10 is a detail view of area 10 in FIG. 9.

FIG. 11 is a top, front, and side isometric view of a second
embodiment of an electronic device embodying the new
design;

FIG. 12 is a bottom, back, and side isometric view thereof;

FIG. 13 is a front view thereof;

FIG. 14 is a back view thereof;

FIG. 15 is a first side view thereof;

FIG. 16 is a second side view thereof;

FIG. 17 is a top view thereof;

FIG. 18 is a bottom view thereof;

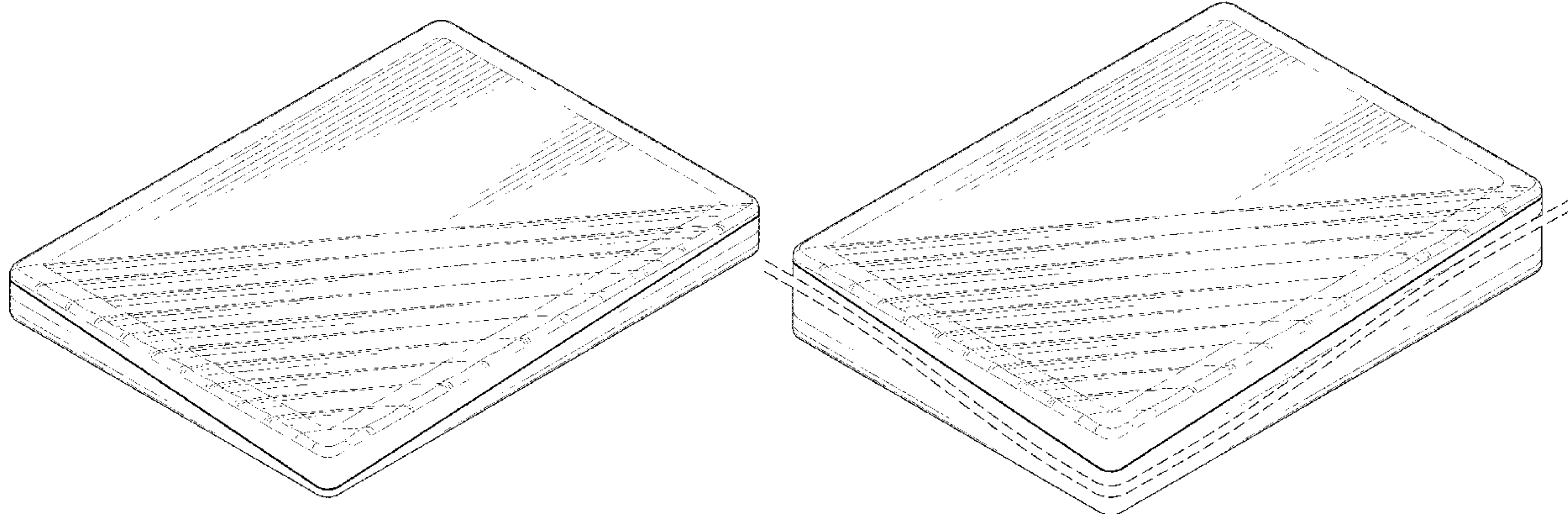
FIG. 19 is a cross-sectional view along lines 19-19 in FIG.
17; and,

FIG. 20 is a detail view of area 20 in FIG. 19.

The broken lines showing portions of the electronic device
throughout the figures, as well as those indicating cross-
sectional and enlarged views in FIGS. 7, 9, 10, 17, 19, and
20 and break lines in FIGS. 11-16 and 19-20, form no part
of the claimed design.

The appearance of any portion of the second embodiment of
the electronic device between the wavy broken lines forms
no part of the claimed design. In FIGS. 9, 10, 19, and 20, the
dash-dot broken lines depicted on interior features of the

(Continued)



bottom portion of the article define the boundary of the claim, which extends to the boundary, but does not include the boundary lines.

1 Claim, 14 Drawing Sheets

(58) **Field of Classification Search**

CPC ... G11B 33/027; G11B 33/122; G11B 33/124;
G11B 33/022; G11B 33/025

See application file for complete search history.

(56)

References Cited

U.S. PATENT DOCUMENTS

D331,394	S	*	12/1992	Kobayashi	D14/242
D337,997	S	*	8/1993	Brunner	D14/368
D349,891	S	*	8/1994	Matsumoto	D14/368
D351,601	S	*	10/1994	Rak	D14/242
D416,004	S	*	11/1999	Tanimura	D14/368
D471,183	S	*	3/2003	Wang	D14/242
D508,898	S	*	8/2005	Gargani	D14/125
D654,491	S	*	2/2012	Melanson	D14/250
D681,616	S	*	5/2013	Weller	D14/250
D681,617	S	*	5/2013	Weller	D14/250
D778,280	S	*	2/2017	Vanderpol	D14/363
D785,579	S	*	5/2017	McMiller	D14/125
D869,411	S	*	12/2019	Wang	D14/125

D880,469	S	*	4/2020	Lee	D14/250
D881,895	S	*	4/2020	Liu	D14/440
D902,924	S	*	11/2020	Behar	D14/349
D903,684	S	*	12/2020	Le	D14/440
D904,399	S	*	12/2020	Behar	D14/349
2017/0301375	A1	*	10/2017	Mayhall	G11B 33/1426

OTHER PUBLICATIONS

WD 4TB My Passport USB 3.2 Gen 1 External Hard Drive, posted at B&H, review posted Nov. 7, 2016. Site visited Dec. 29, 2020. URL: <https://www.bhphotovideo.com/c/product/1501548-REG/wd_wdbpkj0040bbk_wesn_my_passport_4tb_portable.html> (Year: 2016).*

External DVD Drive USB 3.0, posted at Amazon, review posted Aug. 31, 2019. Site visited Dec. 29, 2020. URL: <<https://www.amazon.com/External-Amicool-Portable-Rewriter-Duplicator/dp/B07V67STBD>> (Year: 2019).*

Mardi, Suvendu, ADATA Updates External Hard Drive Range with HD710 Pro and New HD650, posted at TeckKnow, posting date Jun. 30, 2017. Site visited Dec. 29, 2020. URL: <<https://www.teckknow.com/adata-updates-external-hard-drive-range-hd710-pro-new-hd650/>> (Year: 2017).*

D., Subhash, 10 Best External Hard Drives for Backup & Data Storage in 2018, posted at IT4NextGen, posting date Jun. 14, 2018. Site visited Dec. 29, 2020. URL: <<https://www.it4nextgen.com/external-hard-drives-usb/>> (Year: 2018).*

* cited by examiner

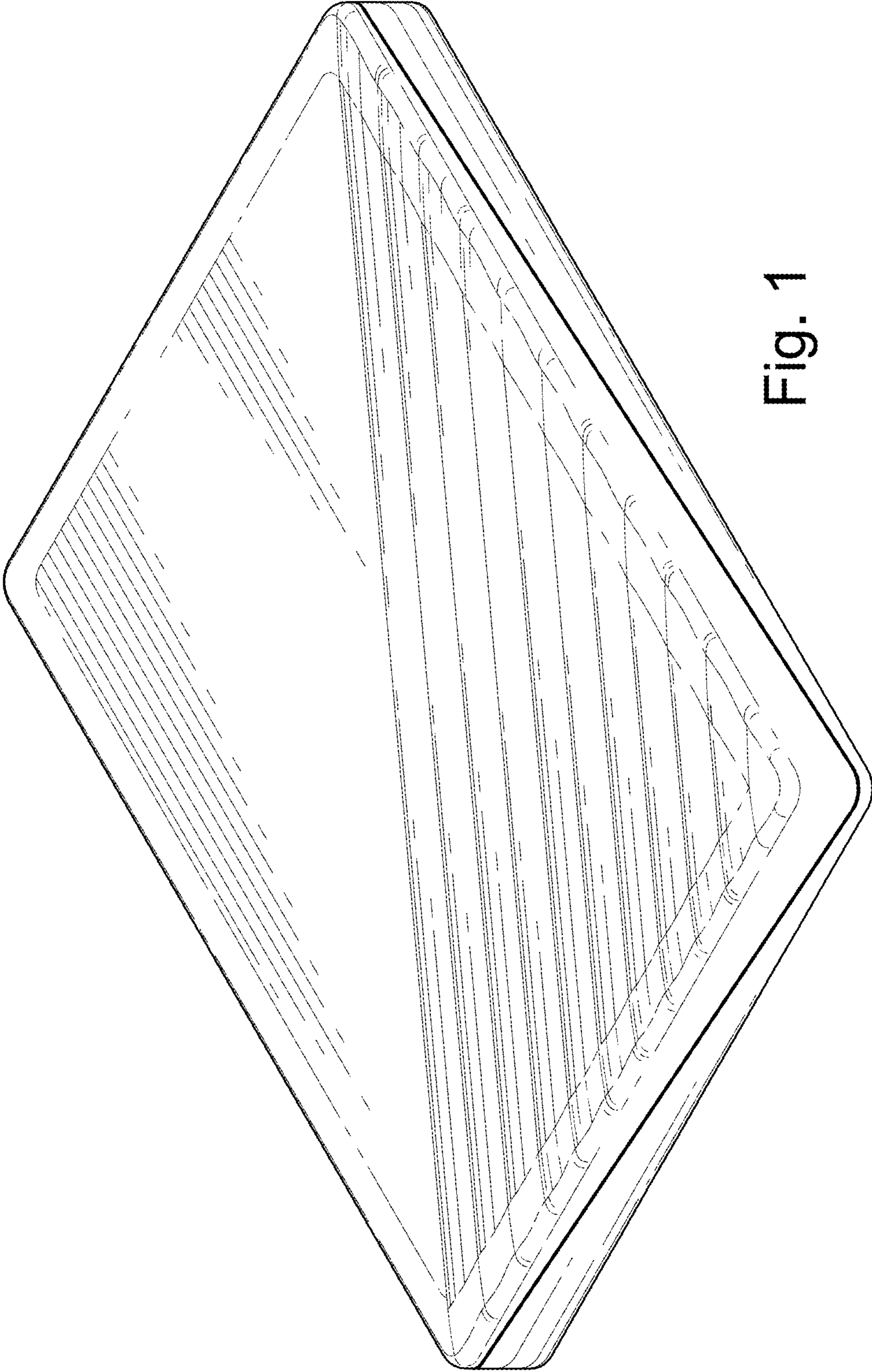


Fig. 1

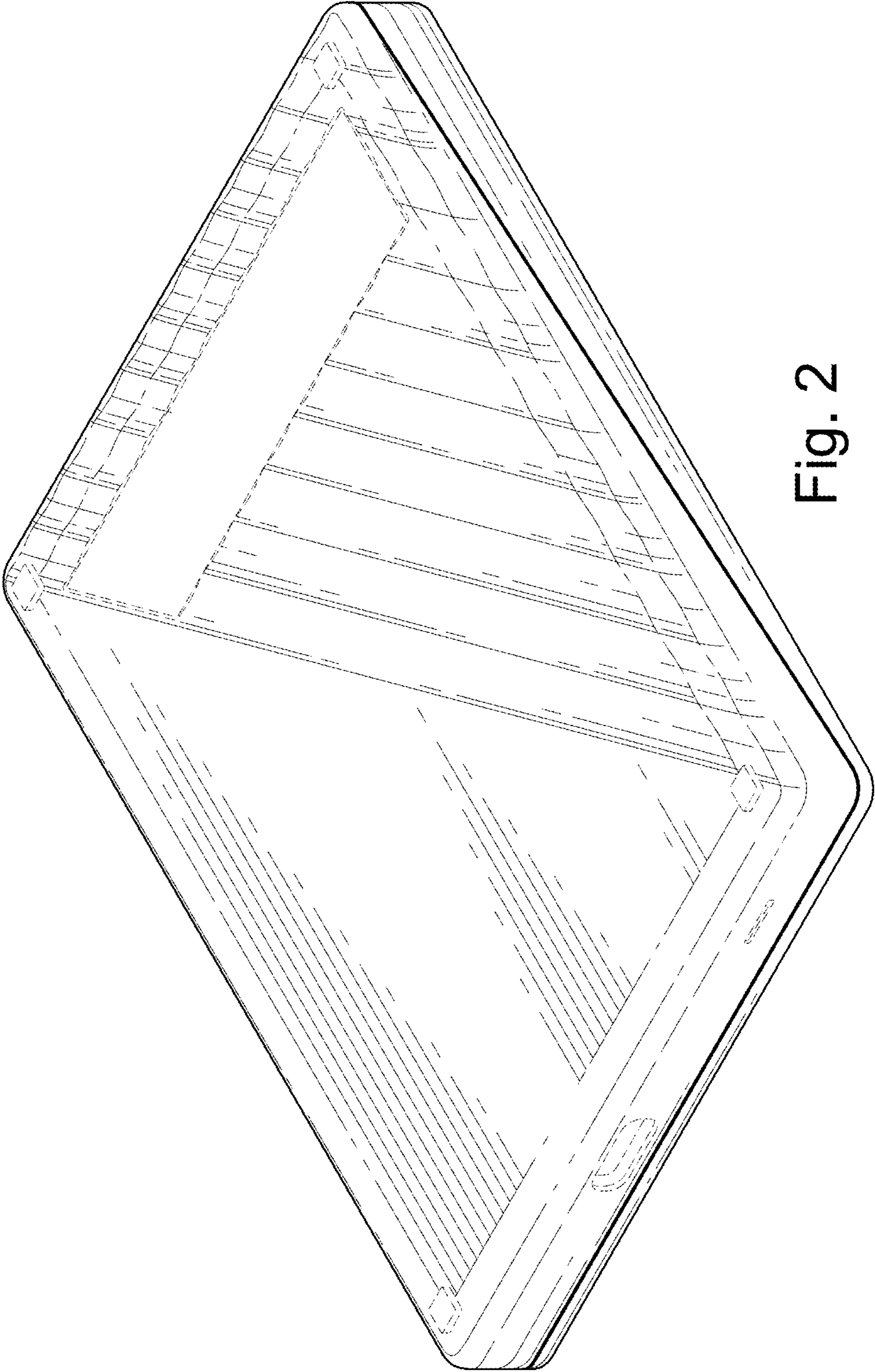


Fig. 2

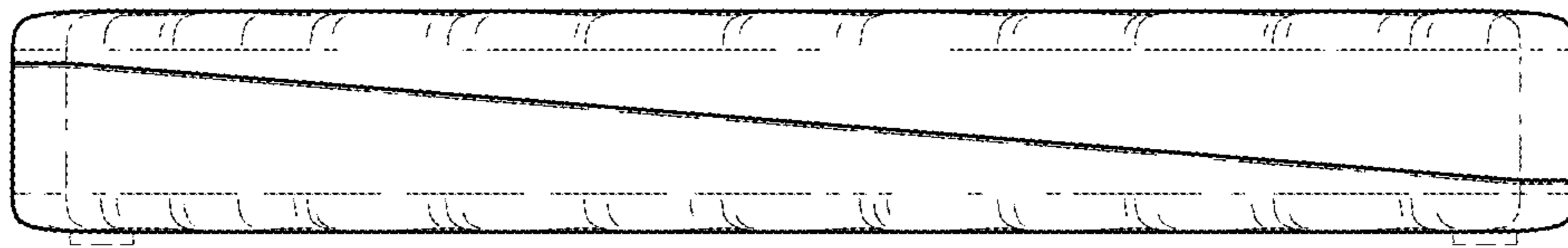


Fig. 3

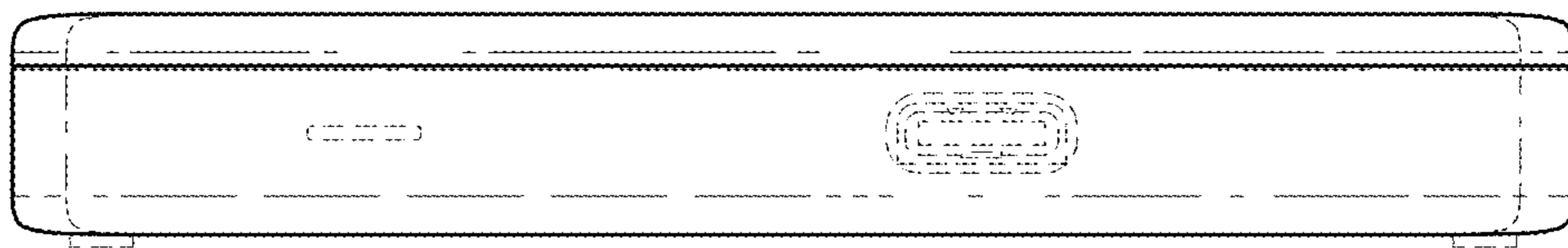


Fig. 4

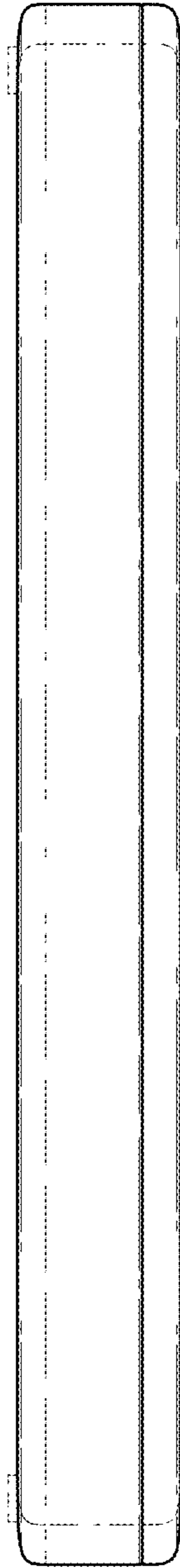


Fig. 5



Fig. 6

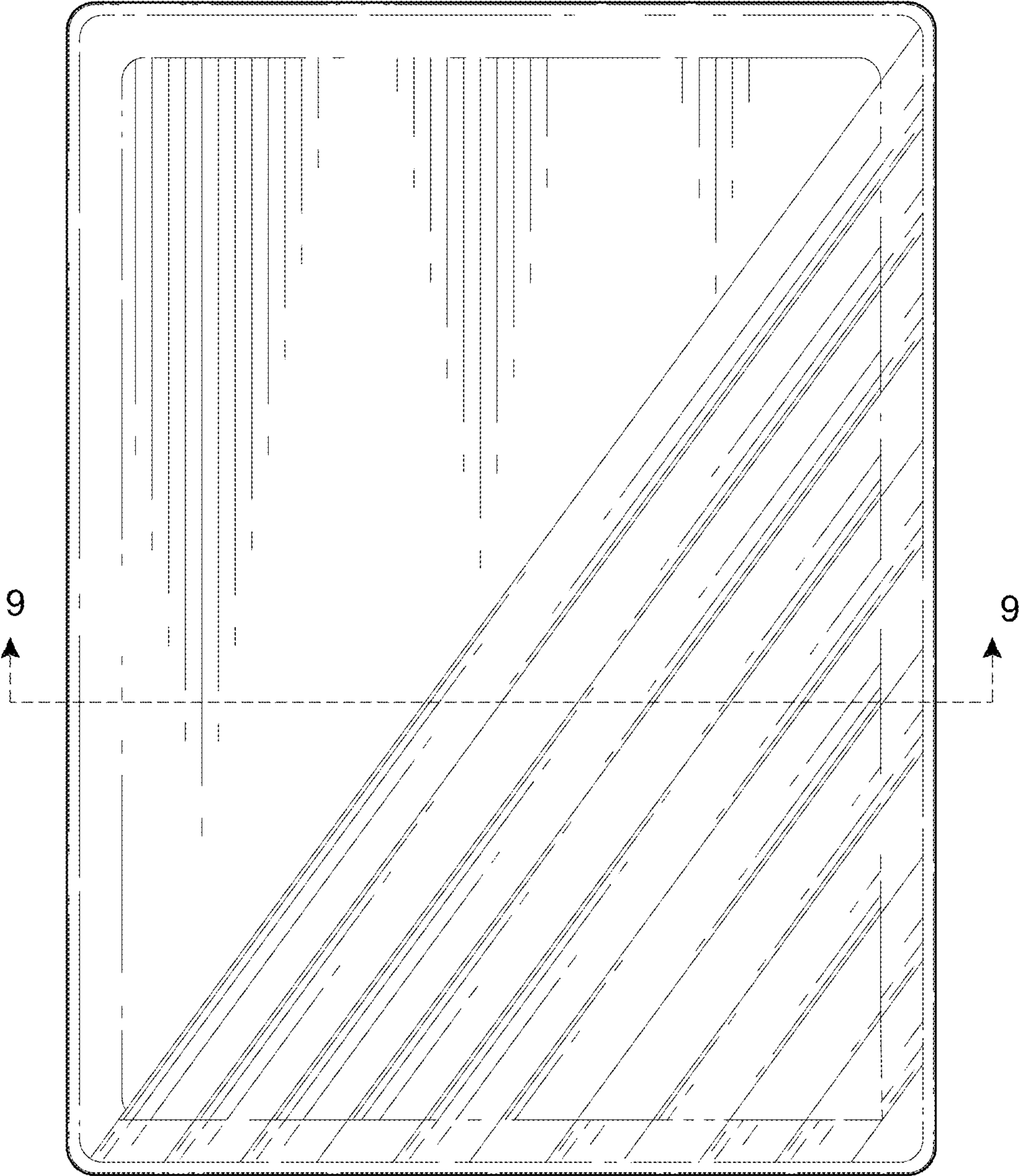


Fig. 7

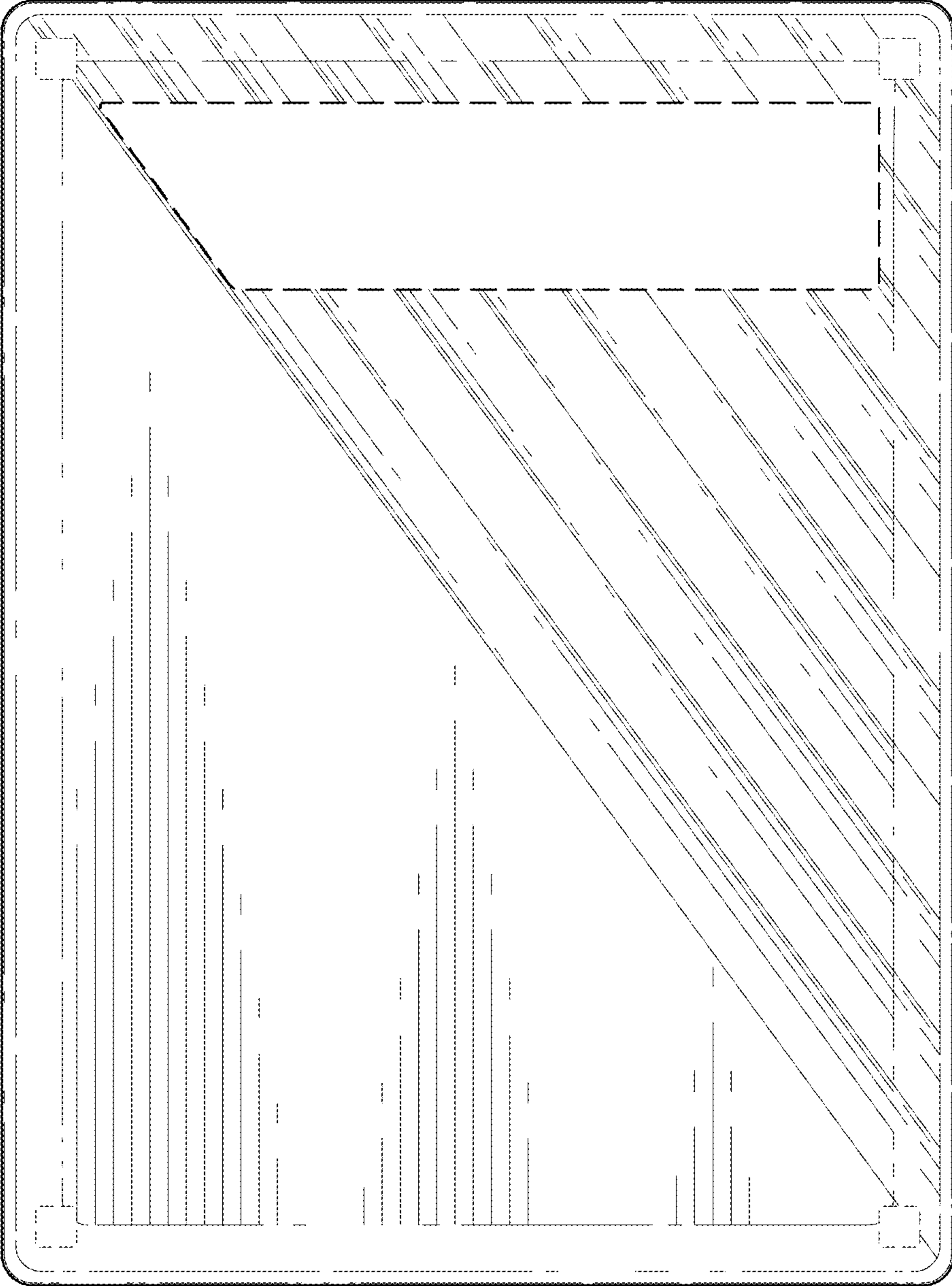


Fig. 8

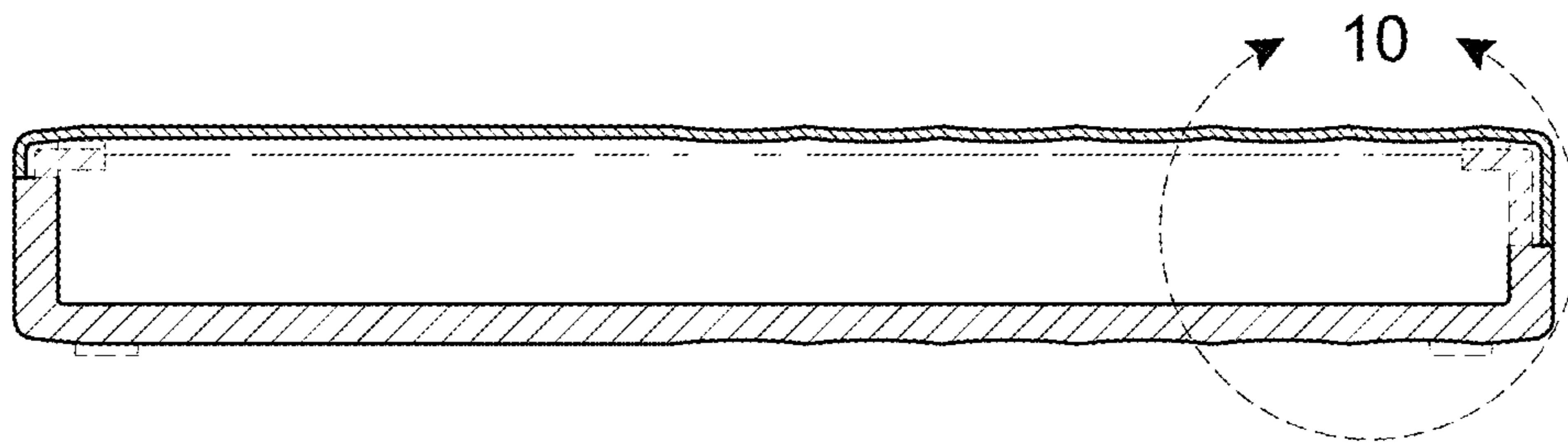


Fig. 9

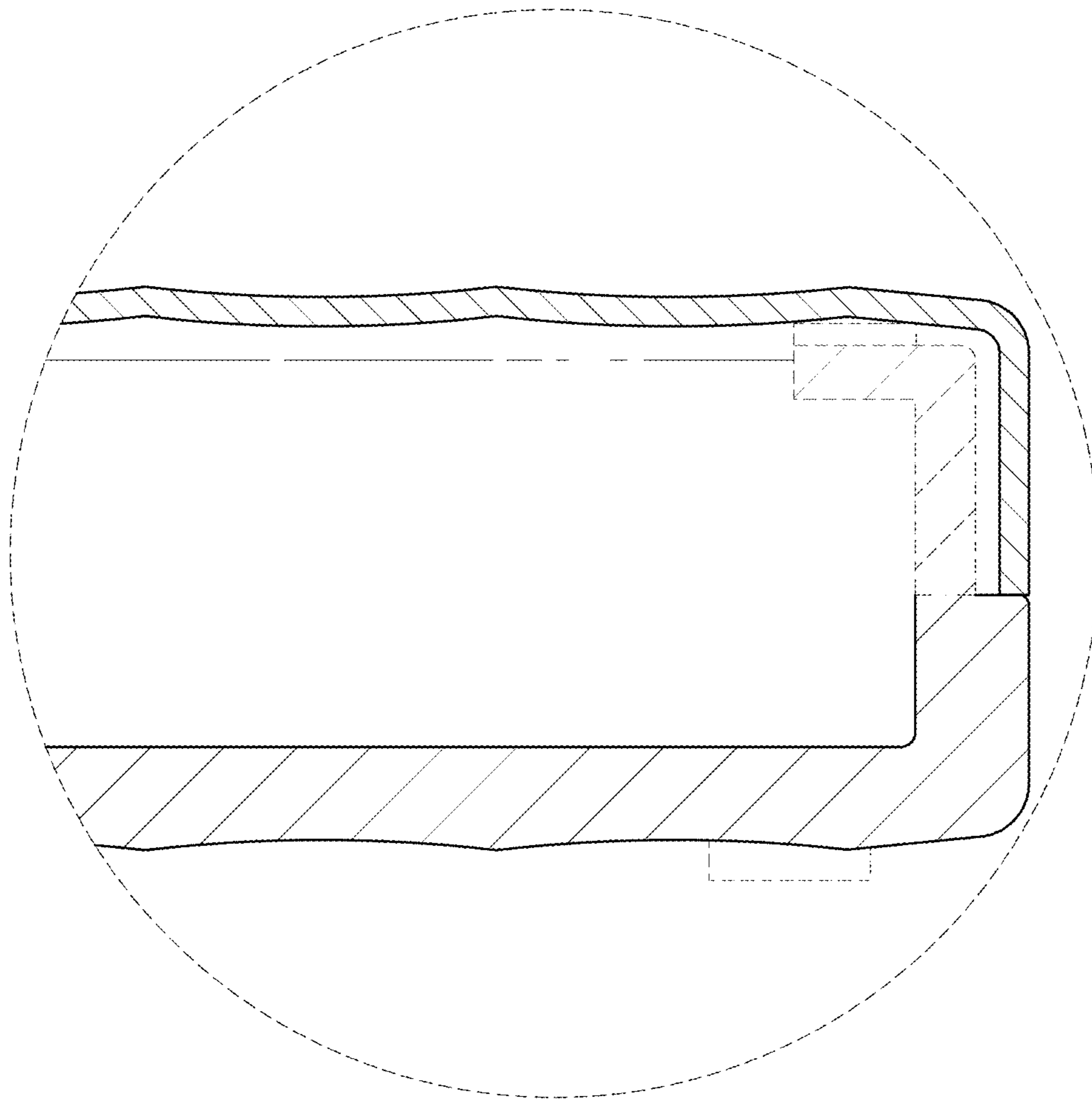


Fig. 10

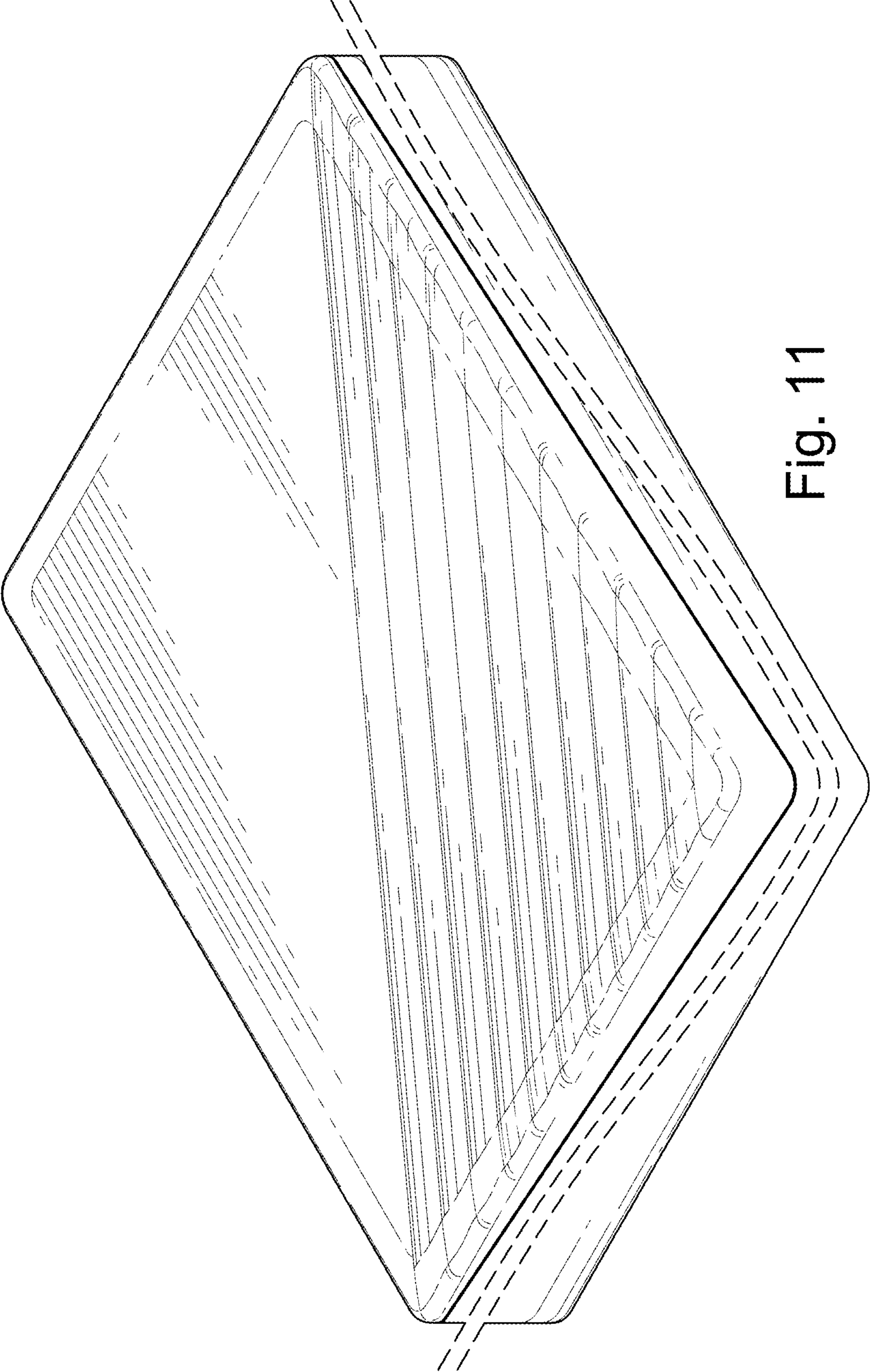


Fig. 11

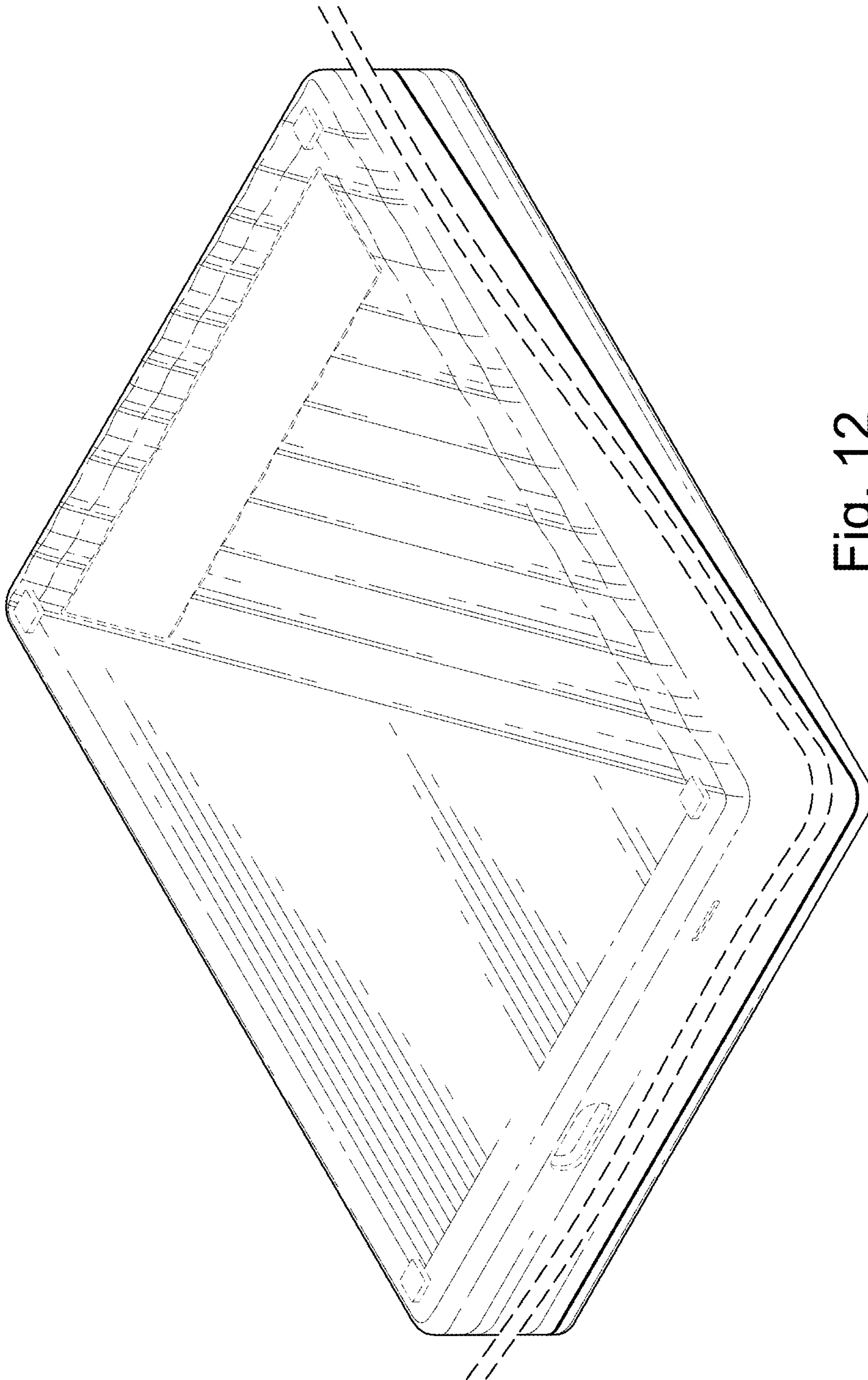


Fig. 12

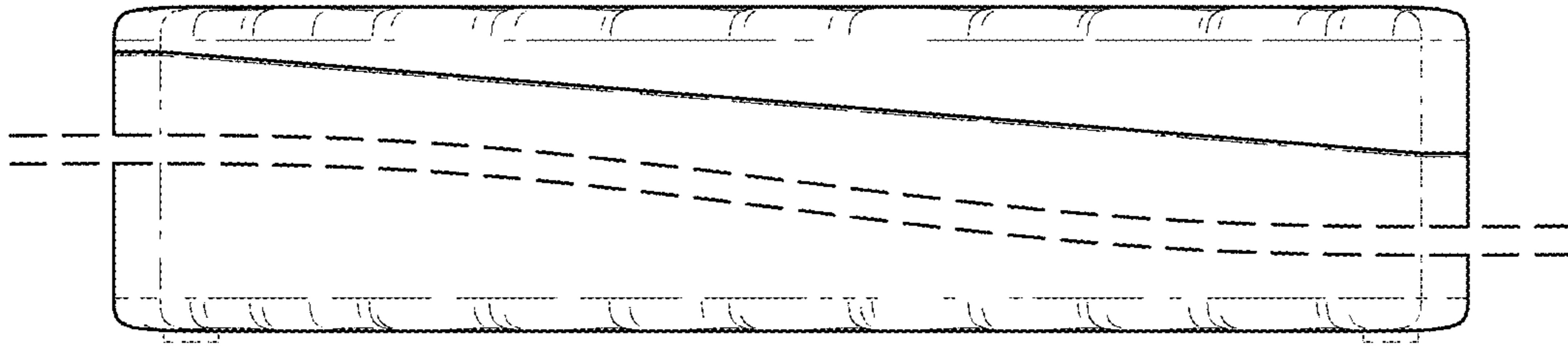


Fig. 13

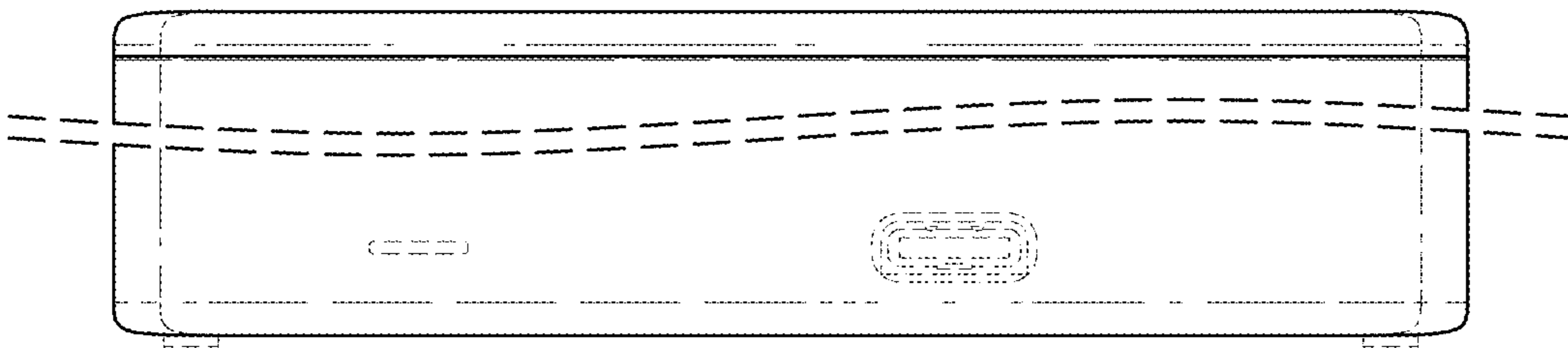


Fig. 14

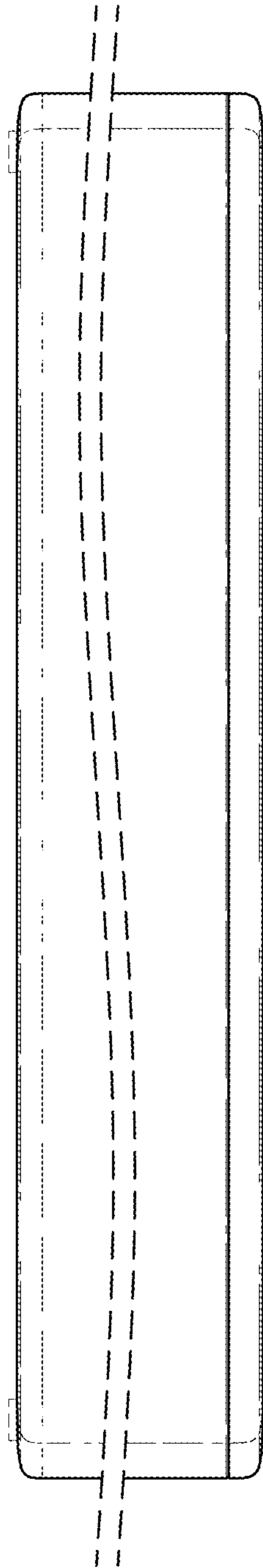


Fig. 15

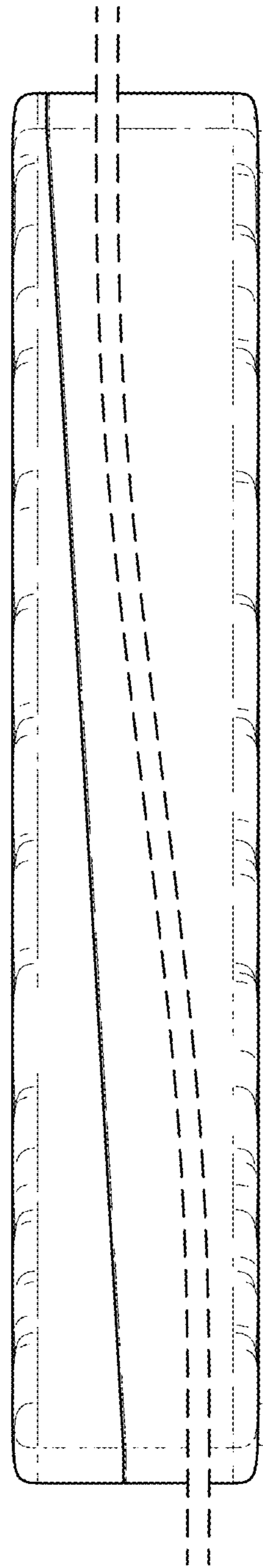


Fig. 16

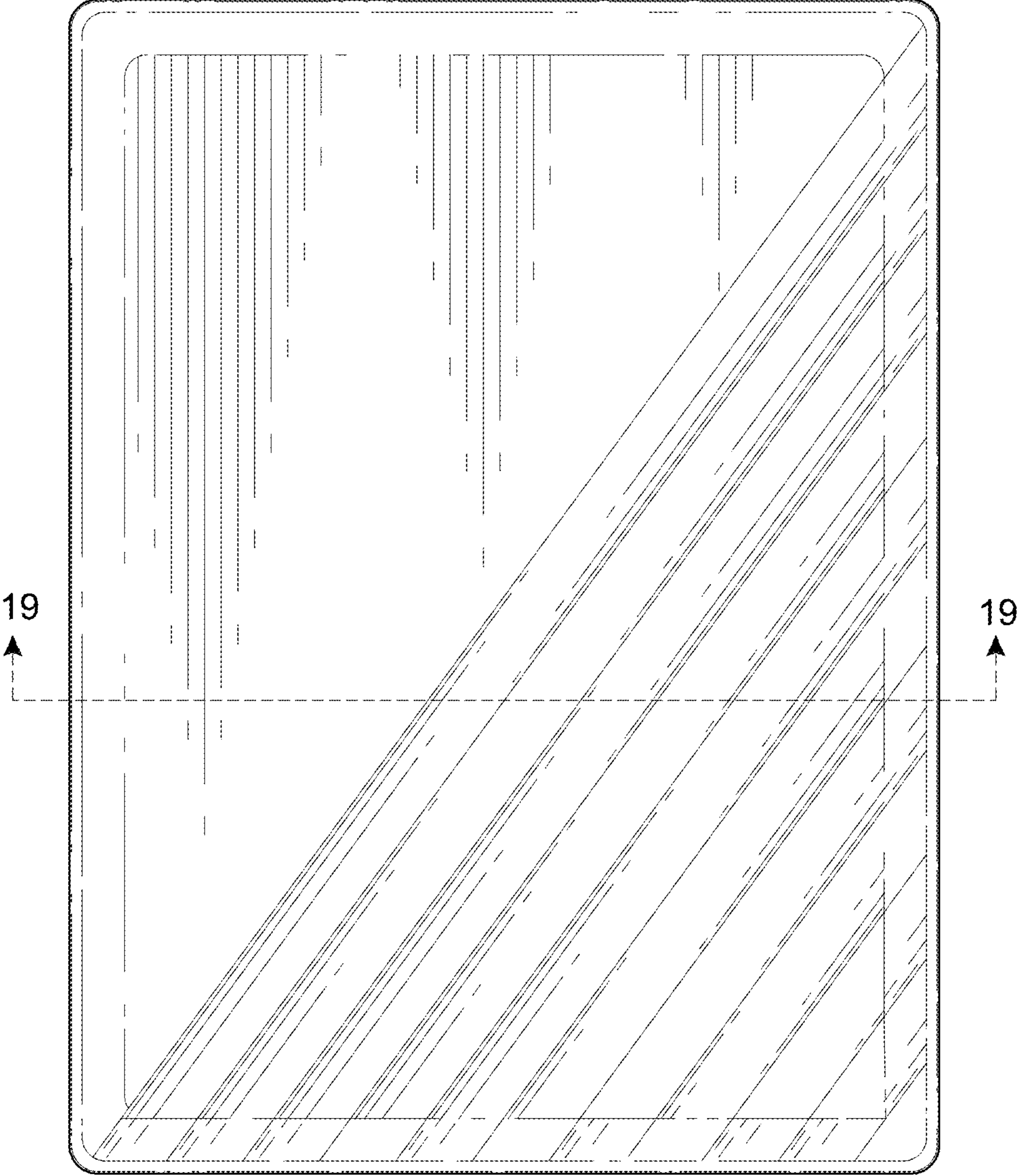


Fig. 17

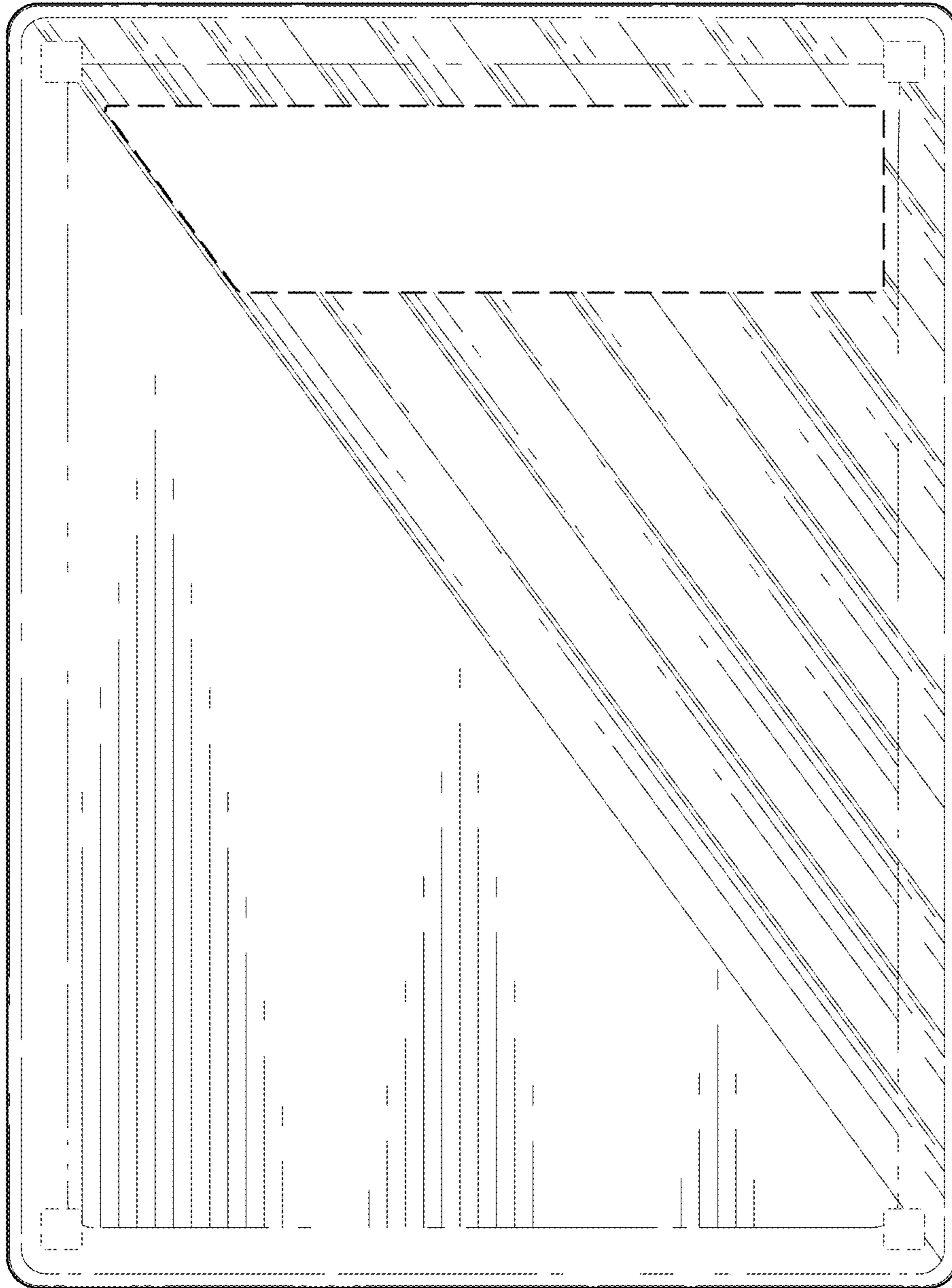


Fig. 18

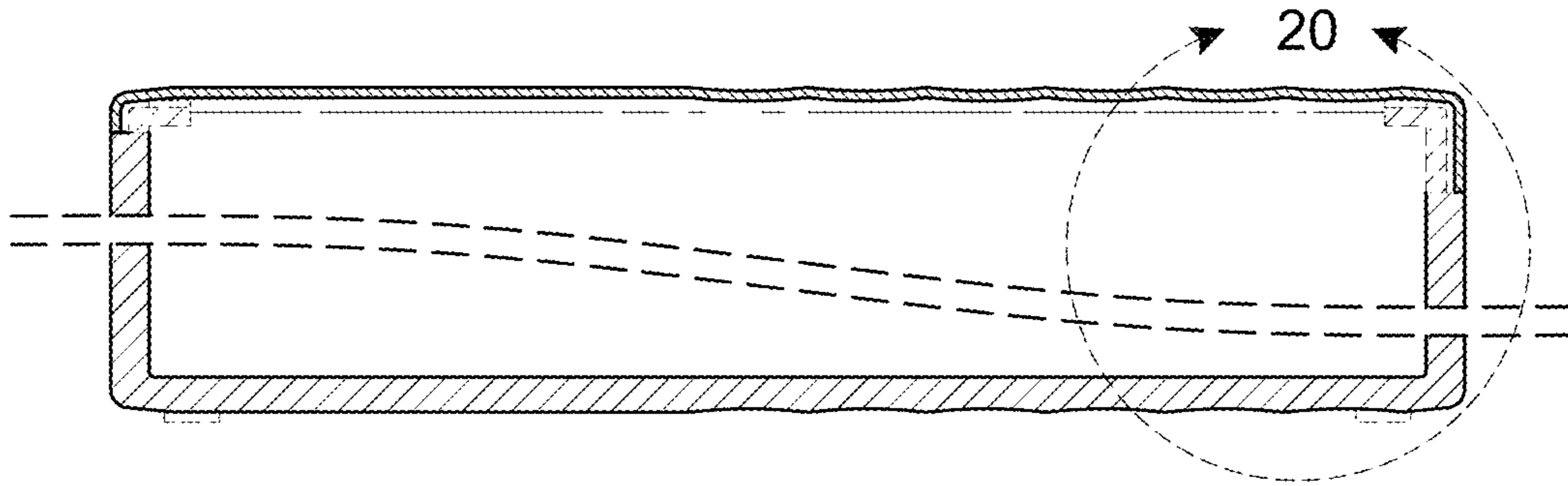


Fig. 19

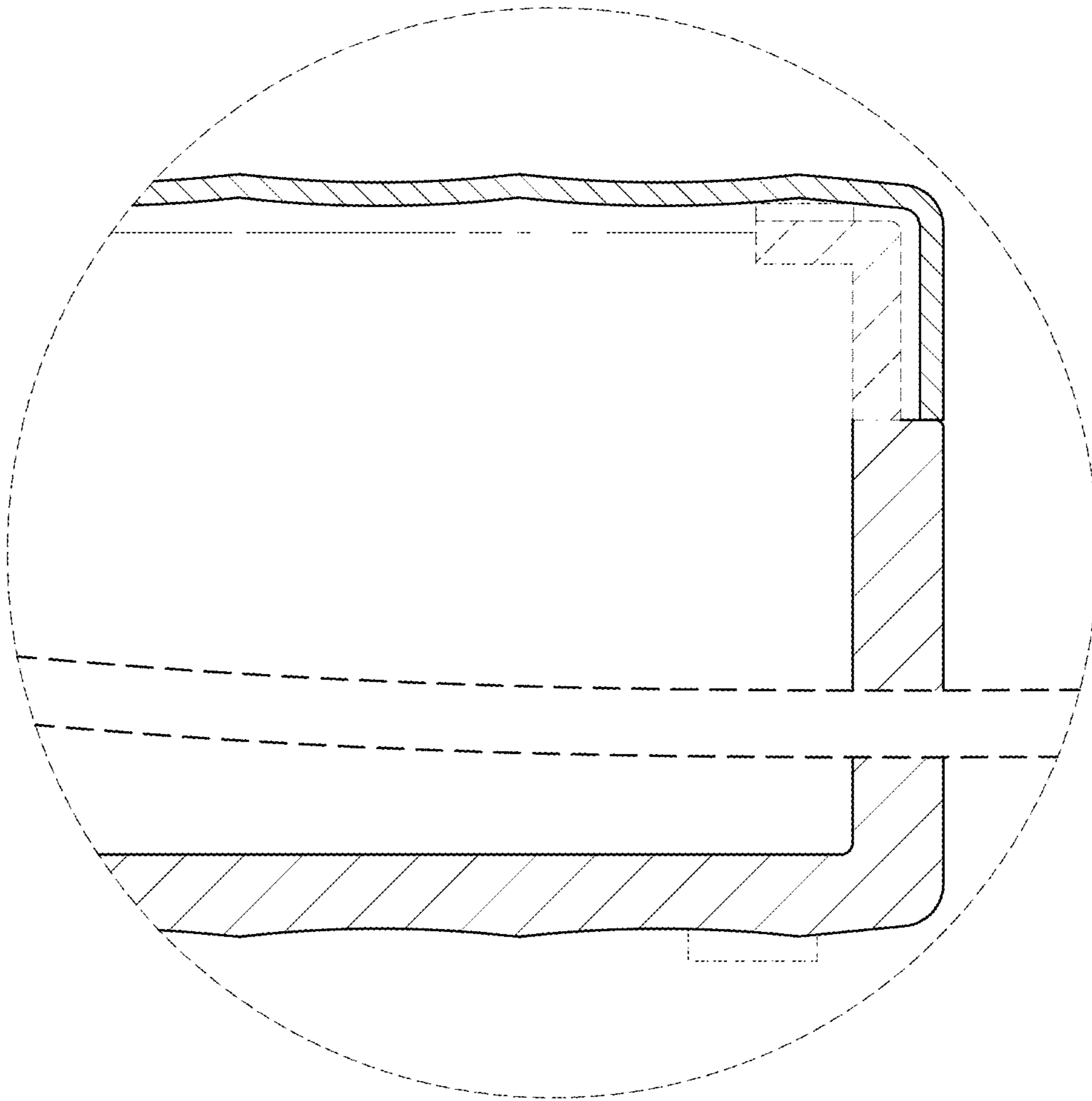


Fig. 20