



US00D925524S

(12) **United States Design Patent** (10) **Patent No.:** **US D925,524 S**  
**Okamura** (45) **Date of Patent:** **\*\* Jul. 20, 2021**

(54) **SMARTWATCH**  
(71) Applicant: **Citizen Watch Co., Ltd.**, Nishitokyo (JP)  
(72) Inventor: **Naoaki Okamura**, Kokubunji (JP)  
(73) Assignee: **Citizen Watch Co., Ltd.**, Tokyo (JP)  
(\*\*) Term: **15 Years**

D791,632 S 7/2017 Lintz et al.  
D793,883 S \* 8/2017 Kouda ..... D10/30  
D794,476 S 8/2017 Laucella  
D798,747 S \* 10/2017 White ..... D10/39  
D800,578 S \* 10/2017 Behling ..... D10/30  
D801,832 S \* 11/2017 White ..... D10/30  
D804,966 S \* 12/2017 Inoue ..... D10/30  
D809,939 S \* 2/2018 White ..... D10/39  
D814,947 S \* 4/2018 Emmenegger ..... D10/39  
D821,891 S \* 7/2018 Parmigiani ..... D10/30  
10,222,761 B2 \* 3/2019 Ihara ..... H02N 1/08

(21) Appl. No.: **29/682,679**  
(22) Filed: **Mar. 7, 2019**  
(51) **LOC (13) Cl.** ..... **14-02**  
(52) **U.S. Cl.**  
USPC ..... **D14/344**; D10/39  
(58) **Field of Classification Search**  
USPC ... D14/138 R, 144, 341, 344, 358, 388, 218,  
D14/485-495; D10/30-39, 70, 98;  
D11/3, 4, 26, 93-94, 78.1, 79, 86;  
D24/167, 169, 186-187, 164  
CPC ..... A41D 1/002; A41D 19/0034; G06F 1/04;  
G06F 1/08; G06F 1/10; G06F 1/14; G06F  
1/1626; G06F 1/1628; G06F 1/163; G06F  
1/1635; G06F 1/3203; G06Q 20/10;  
G06Q 20/12; G06Q 20/108; G06Q  
20/145; H04B 1/3833; H04B 1/385;  
H04B 1/3888; H04M 1/02; H04M 1/03;  
H04M 1/04; H04M 1/05; H04M 1/667;  
H04M 1/6058; Y02B 60/1217  
See application file for complete search history.

(56) **References Cited**  
U.S. PATENT DOCUMENTS

D580,279 S 11/2008 Wunderman  
D700,072 S \* 2/2014 Arellano ..... D10/38  
D730,201 S \* 5/2015 Giannini ..... D10/39  
D762,490 S \* 8/2016 Tonohori ..... D10/126  
D782,337 S \* 3/2017 White ..... D10/39

**OTHER PUBLICATIONS**

Citizen BZ7005-74E [Eco-Drive Riiiver] Japan Domestic, posted Feb. 7, 2020, [retrieved Jun. 11, 2020]. Retrieved from Internet, <URL: <https://www.amazon.com/Citizen-BZ7005-74E-Eco-Drive-Riiiver-Domestic/dp/B081VPDRP2/>>.\*

\* cited by examiner

*Primary Examiner* — Sheryl Lane  
*Assistant Examiner* — Calvin E Vansant  
(74) *Attorney, Agent, or Firm* — RatnerPrestia

(57) **CLAIM**

The ornamental design for a smartwatch, as shown and described.

**DESCRIPTION**

FIG. 1 is a perspective view of a smartwatch showing my new design;  
FIG. 2 is a front elevational view thereof;  
FIG. 3 is a left side elevational view thereof;  
FIG. 4 is a right side elevational view thereof;  
FIG. 5 is a rear elevational view thereof;  
FIG. 6 is a top plan view thereof; and,  
FIG. 7 is a bottom plan view thereof.  
The broken lines depict portions of a smartwatch that form no part of the claimed design.

**1 Claim, 5 Drawing Sheets**

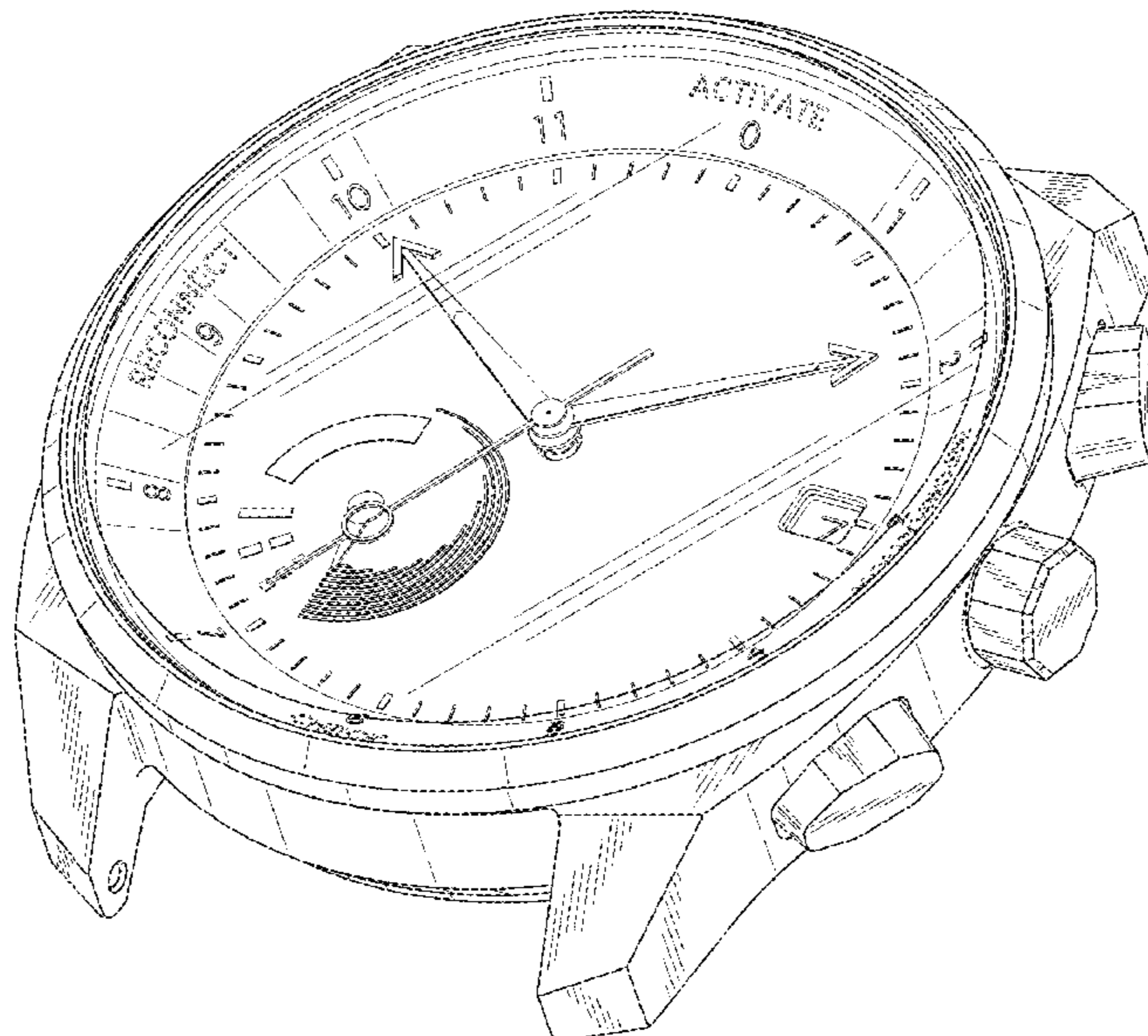


FIG.1

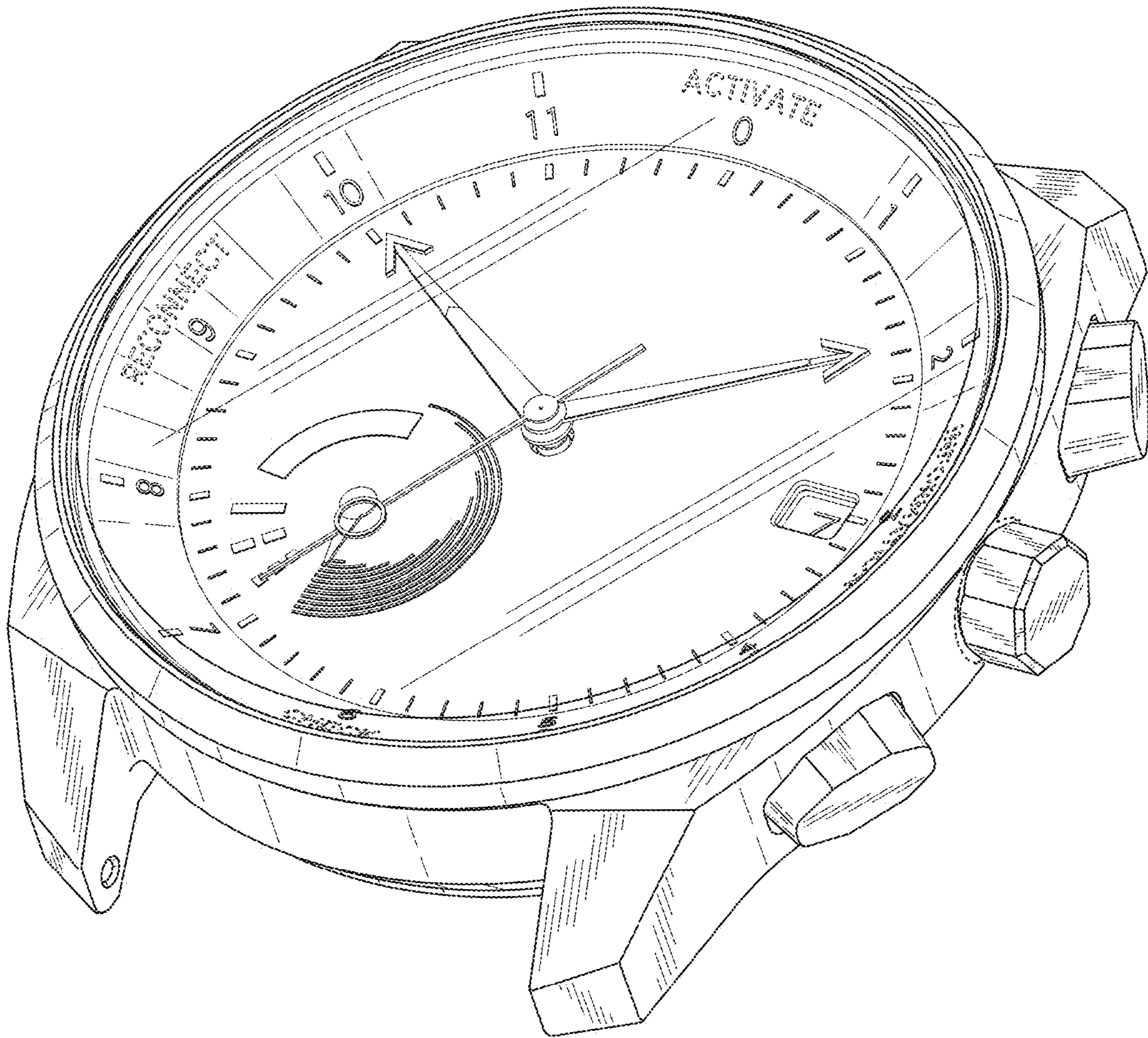


FIG.2



FIG.3

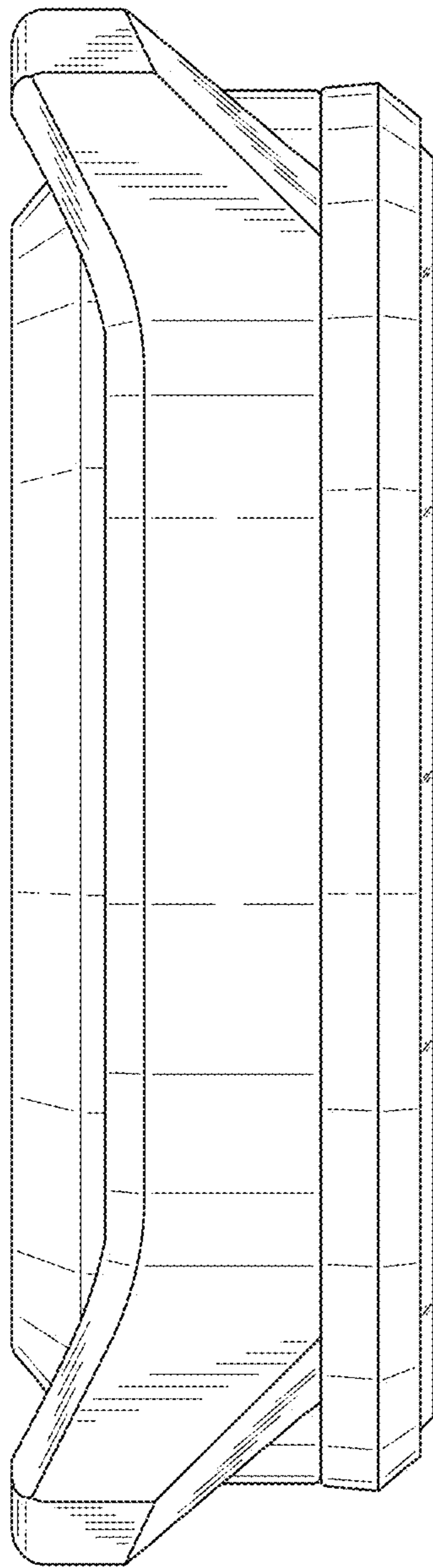


FIG.4

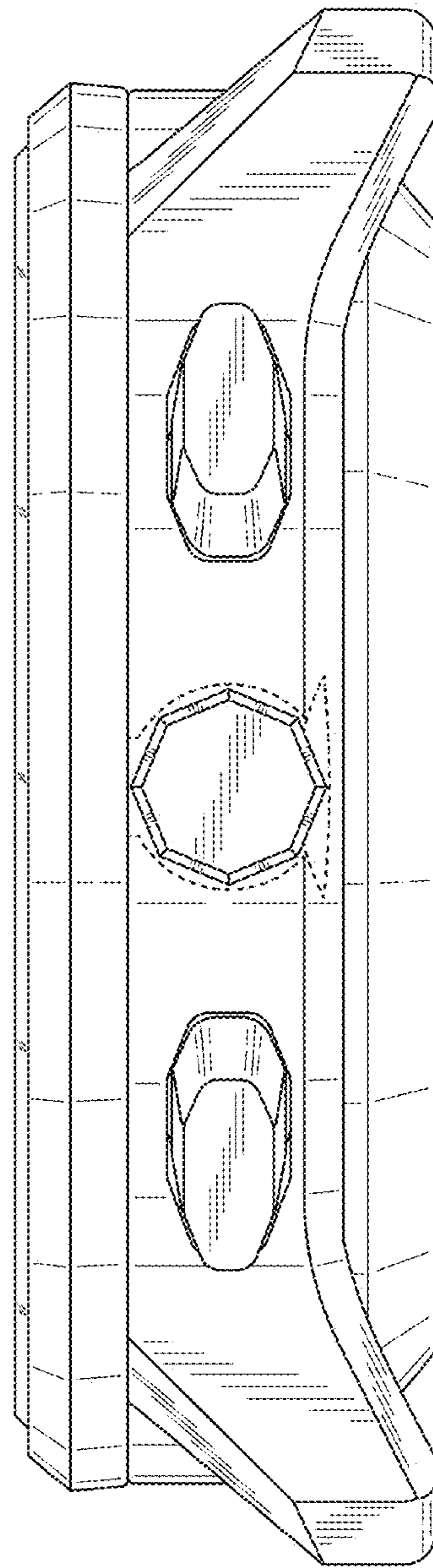


FIG.5

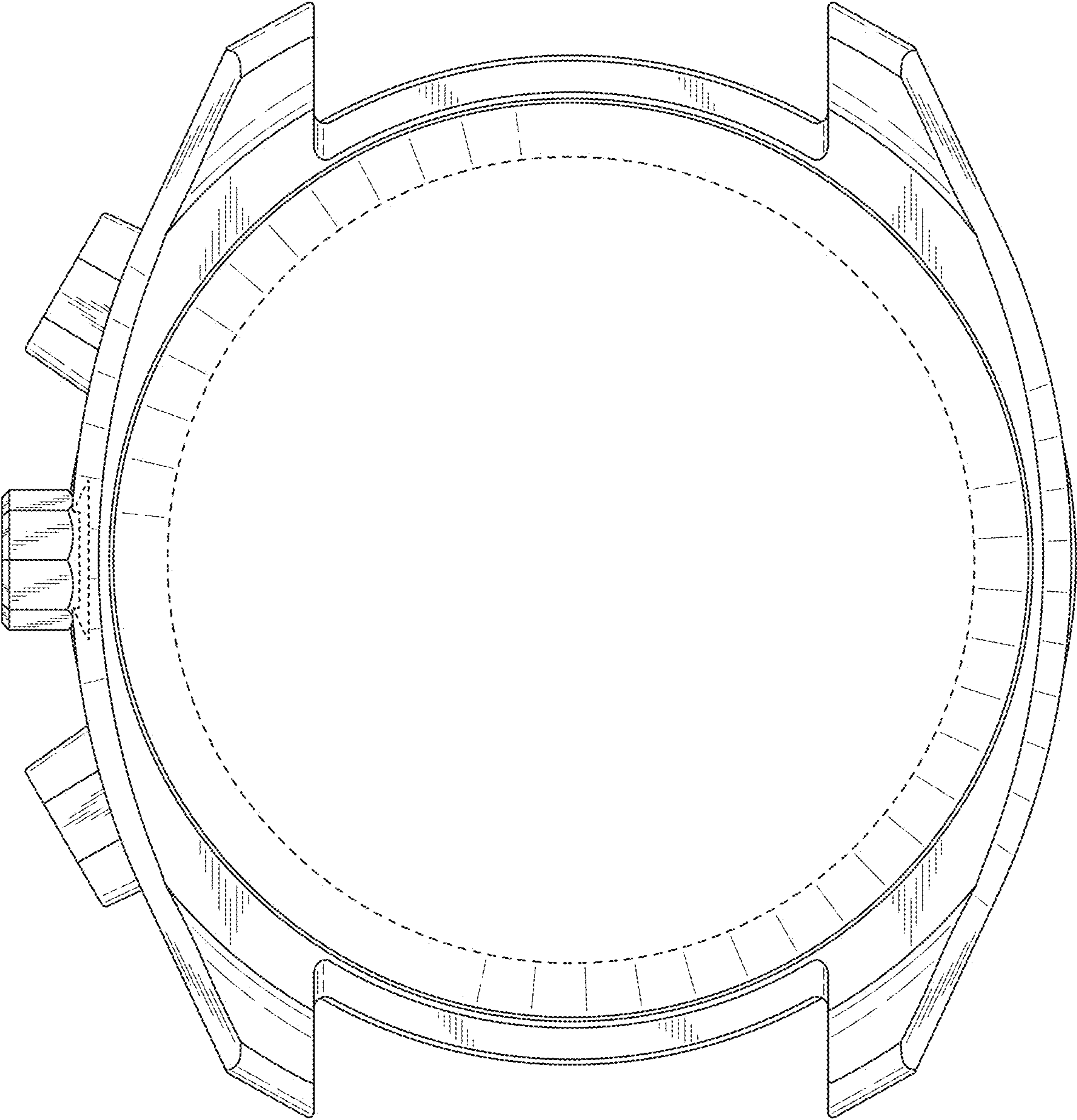


FIG.6

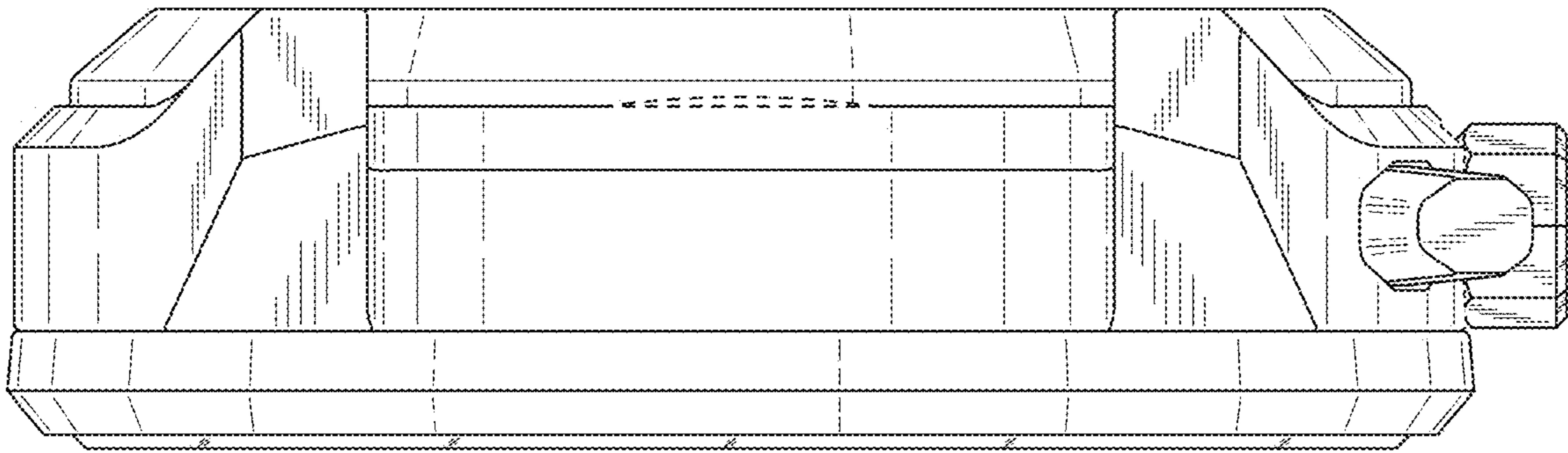


FIG.7

