

US00D925520S

(12) **United States Design Patent**  
**Chen**

(10) **Patent No.:** **US D925,520 S**  
(45) **Date of Patent:** **\*\* Jul. 20, 2021**

(54) **ALL-IN-ONE COMPUTER**  
(71) Applicant: **Lenovo (Beijing) Co., Ltd.**, Beijing  
(CN)

D533,155 S \* 12/2006 Nakata ..... D14/126  
D554,639 S \* 11/2007 Kim ..... D14/375  
D567,237 S \* 4/2008 Kim ..... D14/314  
(Continued)

(72) Inventor: **Xi Chen**, Beijing (CN)  
(73) Assignee: **Lenovo (Beijing) Co., Ltd.**, Beijing  
(CN)

**FOREIGN PATENT DOCUMENTS**

DE 102019107714 A1 \* 10/2019 ..... G06F 3/0213  
WO WO-2008143235 A1 \* 11/2008 ..... H05K 5/0017  
(Continued)

(\*\*) Term: **15 Years**  
(21) Appl. No.: **29/673,602**  
(22) Filed: **Dec. 17, 2018**

**OTHER PUBLICATIONS**

Trigem Computer Inc., KR Design No. 300524811, published at Orbit, publication date Apr. 2, 2009. Site visited Nov. 24, 2020. Available from Internet. (Year: 2009).\*  
(Continued)

(30) **Foreign Application Priority Data**  
Jun. 29, 2018 (CN) ..... 201830345314.4

*Primary Examiner* — Kathleen L Jones  
(74) *Attorney, Agent, or Firm* — Oppedahl Patent Law Firm LLC

(51) **LOC (13) Cl.** ..... **14-02**  
(52) **U.S. Cl.**  
USPC ..... **D14/336**; D14/375  
(58) **Field of Classification Search**  
USPC ..... D14/334–337, 371, 374–382, 126–129,  
D14/314, 451–452, 447, 339–340, 316,  
D14/307  
CPC ..... G06F 1/16; G06F 1/1601; G06F 1/1605;  
G06F 1/162; G06F 1/1622; G06F 1/1637;  
G06F 1/166; G06F 3/0412; F16M 11/10;  
F16M 11/16; F16M 11/08; F16M 11/105;  
F16M 11/2028; F16M 2200/021; F16M  
2200/00; G02F 1/1333  
See application file for complete search history.

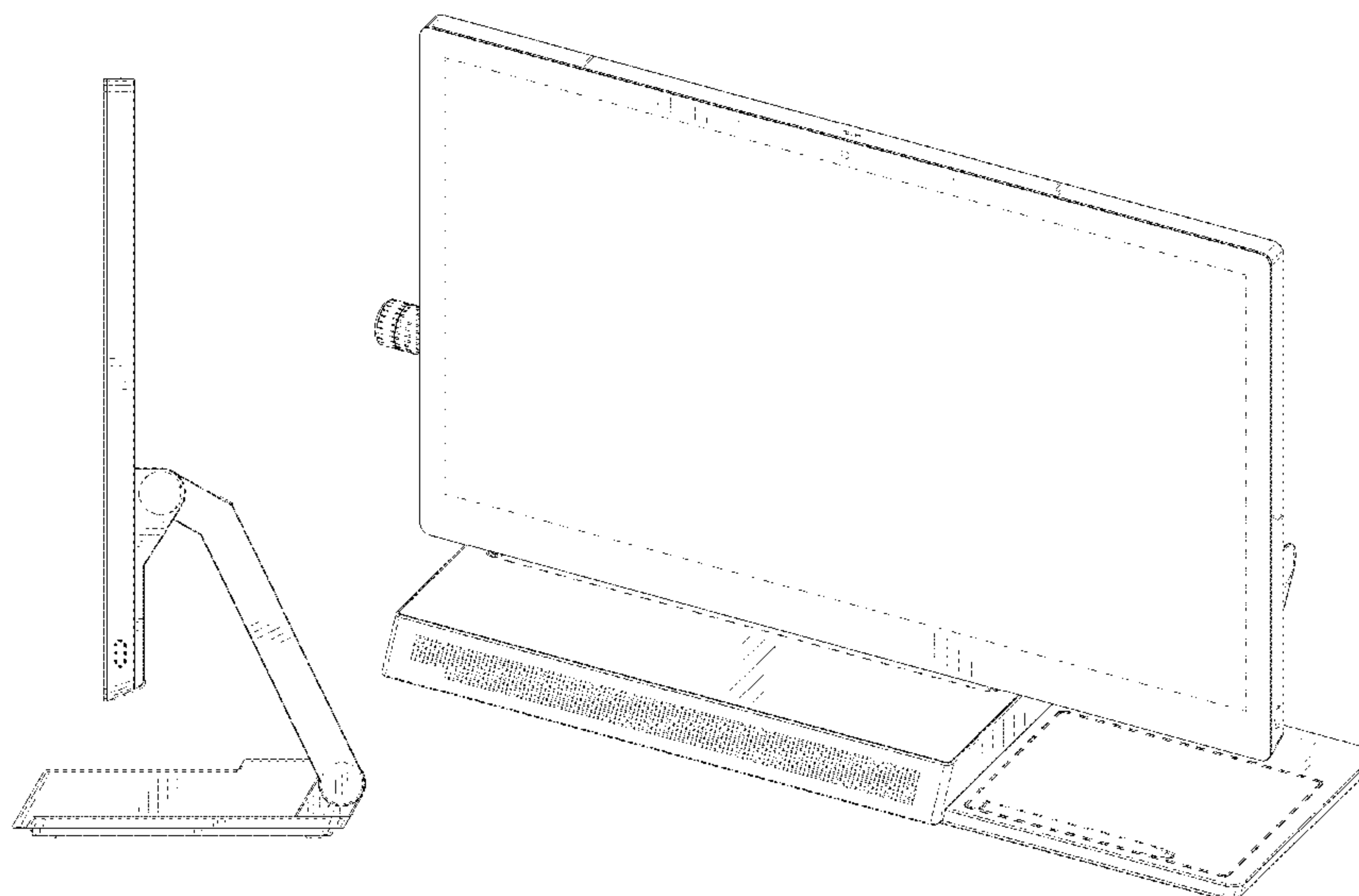
(57) **CLAIM**  
The ornamental design for an all-in-one computer, as shown and described.

**DESCRIPTION**

FIG. 1 is a front view of all-in-one computer showing my new design;  
FIG. 2 is a back view thereof;  
FIG. 3 is a left side view thereof;  
FIG. 4 is a right side view thereof;  
FIG. 5 is a top view thereof;  
FIG. 6 is a bottom view thereof;  
FIG. 7 is a perspective view thereof; and,  
FIG. 8 is a partial enlarged view of FIG. 2.  
The broken lines shown in the drawings illustrate portions of the all-in-one computer that form no part of the claimed design. In addition, the dot-dash broken lines encircling portions of FIG. 2 and FIG. 8 are for the purpose of illustrating a partially enlarged view and form no part of the claimed design.

(56) **References Cited**  
**U.S. PATENT DOCUMENTS**  
D317,760 S \* 6/1991 Esslinger ..... D14/451  
D339,796 S \* 9/1993 Goodner ..... D14/375  
D349,489 S \* 8/1994 Wang ..... D14/375  
D483,757 S \* 12/2003 Olson ..... D14/371

**1 Claim, 8 Drawing Sheets**



(56)

References Cited

U.S. PATENT DOCUMENTS

D569,815 S \* 5/2008 Otani ..... D14/126  
 D578,087 S \* 10/2008 Yokota ..... D14/126  
 D589,964 S \* 4/2009 Heggland ..... D14/434  
 D590,785 S \* 4/2009 Yokota ..... D14/126  
 D599,756 S \* 9/2009 Yokota ..... D14/126  
 D599,792 S \* 9/2009 Lin ..... D14/331  
 D601,522 S \* 10/2009 Chen ..... D14/126  
 D631,042 S \* 1/2011 Chen ..... D14/337  
 D637,169 S \* 5/2011 Kim ..... D14/126  
 D657,789 S \* 4/2012 Lee ..... D14/374  
 D661,672 S \* 6/2012 Kim ..... D14/126  
 D665,801 S \* 8/2012 Liu ..... D14/374  
 D683,709 S \* 6/2013 Choi ..... D14/126  
 D714,794 S \* 10/2014 Quijano ..... D14/447  
 D732,032 S \* 6/2015 Lee ..... D14/374  
 D750,066 S \* 2/2016 Lin ..... D14/341  
 D803,827 S \* 11/2017 Escolin ..... D14/336  
 10,159,158 B2 \* 12/2018 Park ..... F16M 11/10  
 D872,086 S \* 1/2020 Zhong ..... D14/383  
 D875,737 S \* 2/2020 Escolin ..... D14/451  
 D897,338 S \* 9/2020 Escolin ..... D14/336  
 D902,296 S \* 11/2020 Cathala ..... D18/4.5  
 2004/0057197 A1 \* 3/2004 Hill ..... G06F 1/1654  
 361/679.06  
 2014/0340827 A1 \* 11/2014 Truong ..... G06F 1/1601  
 361/679.22  
 2016/0070964 A1 \* 3/2016 Conrad ..... G07G 1/0018  
 348/150  
 2020/0133368 A1 \* 4/2020 Volek ..... G06F 1/1601

2020/0363836 A1 \* 11/2020 Gupta ..... G06F 1/1616  
 2020/0409410 A1 \* 12/2020 Kawaguchi ..... G06F 1/1605  
 2020/0409433 A1 \* 12/2020 Strobridge ..... G06F 1/1615

FOREIGN PATENT DOCUMENTS

WO WO-2009105381 A2 \* 8/2009 ..... G06F 1/1601  
 WO WO-2013015771 A1 \* 1/2013 ..... F16M 11/2021

OTHER PUBLICATIONS

Lee et al., Samsung Electronics Co Ltd., KR Design No. 300757664, published at Orbit, publication date Aug. 24, 2016. Site visited Nov. 24, 2020. Available from Internet. (Year: 2016).\*

Hanson, Matt, Lenovo A940 all-in-one computer review, posted at TechRadar, posting date Sep. 18, 2019. Site visited Nov. 24, 2020. URL: <<https://www.techradar.com/in/reviews/lenovo-yoga-a940>> (Year: 2019).\*

Hollister, Sean, The Best All-In-One PC, posted at The Verge, posting date Dec. 20, 2012. Site visited Nov. 24, 2020. URL: <<https://www.theverge.com/2012/12/20/3787750/best-all-in-one-pc-desktop-windows-8-touchscreen>> (Year: 2012).\*

de Looter, Christian, The best all-in-one PCs you can buy, posted at Business Insider, posting date Jan. 29, 2018. Site visited Nov. 24, 2020. URL: <<https://www.businessinsider.com/best-all-in-one-pc>> (Year: 2018).\*

\* cited by examiner

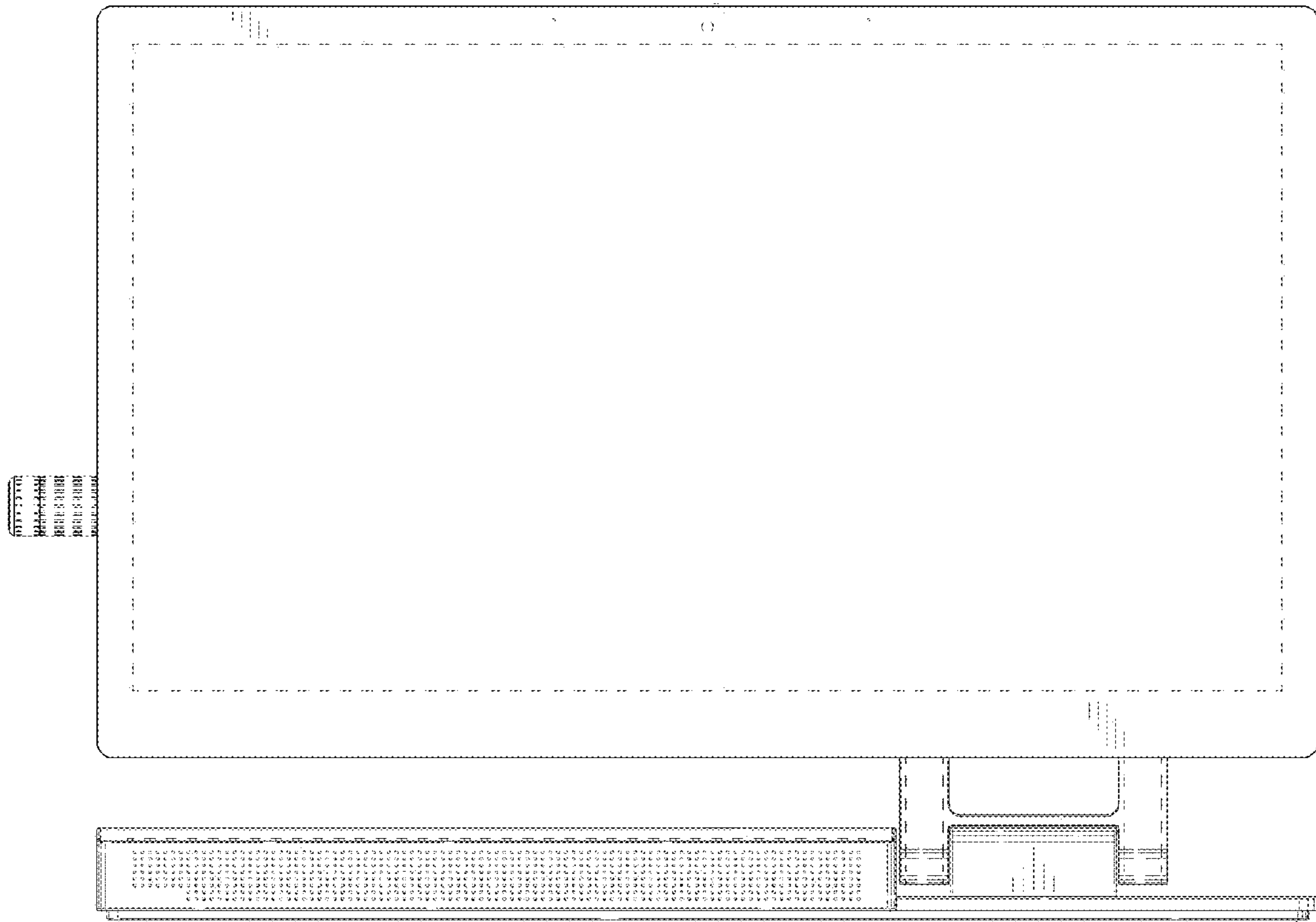


FIG. 1

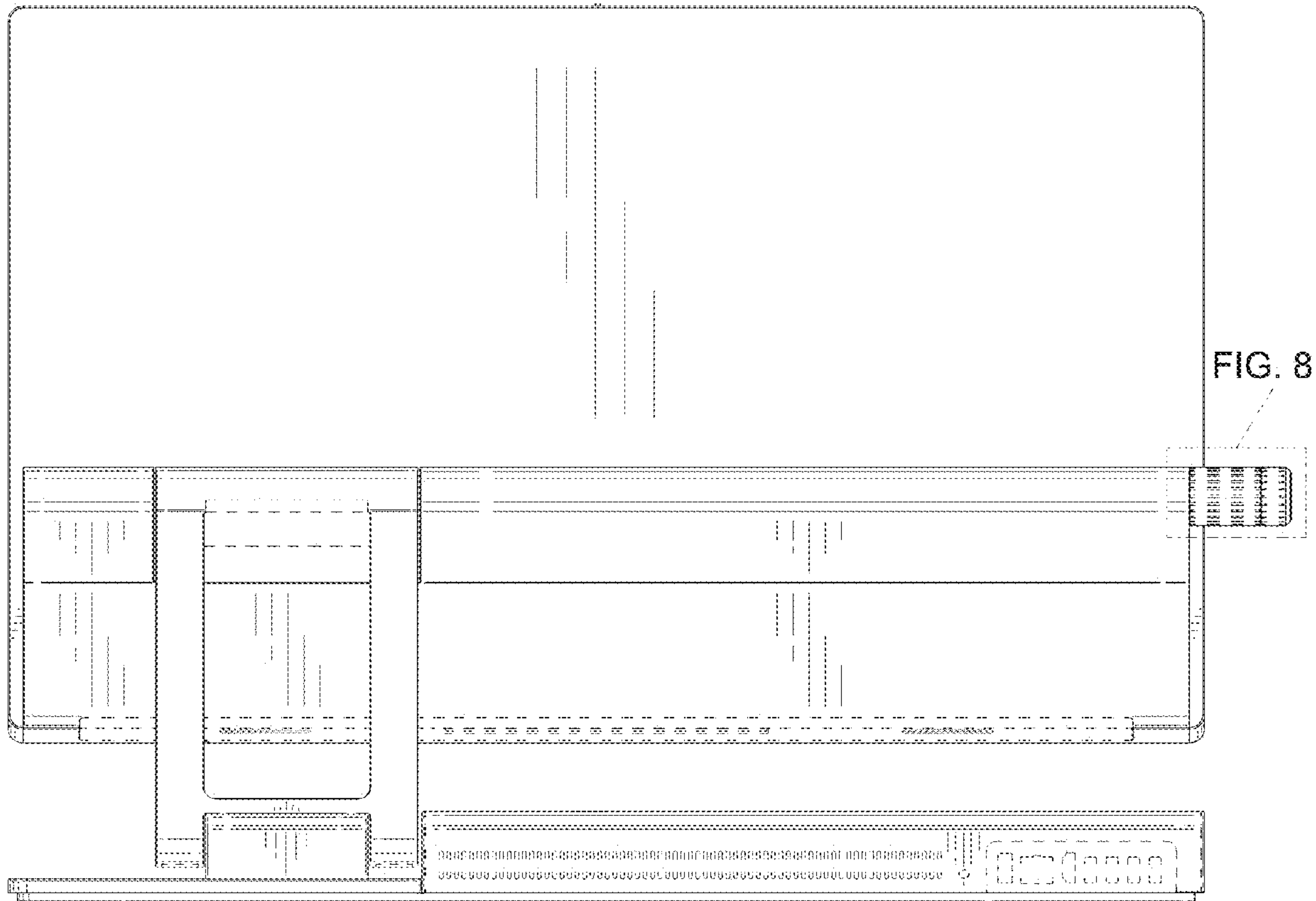


FIG. 2

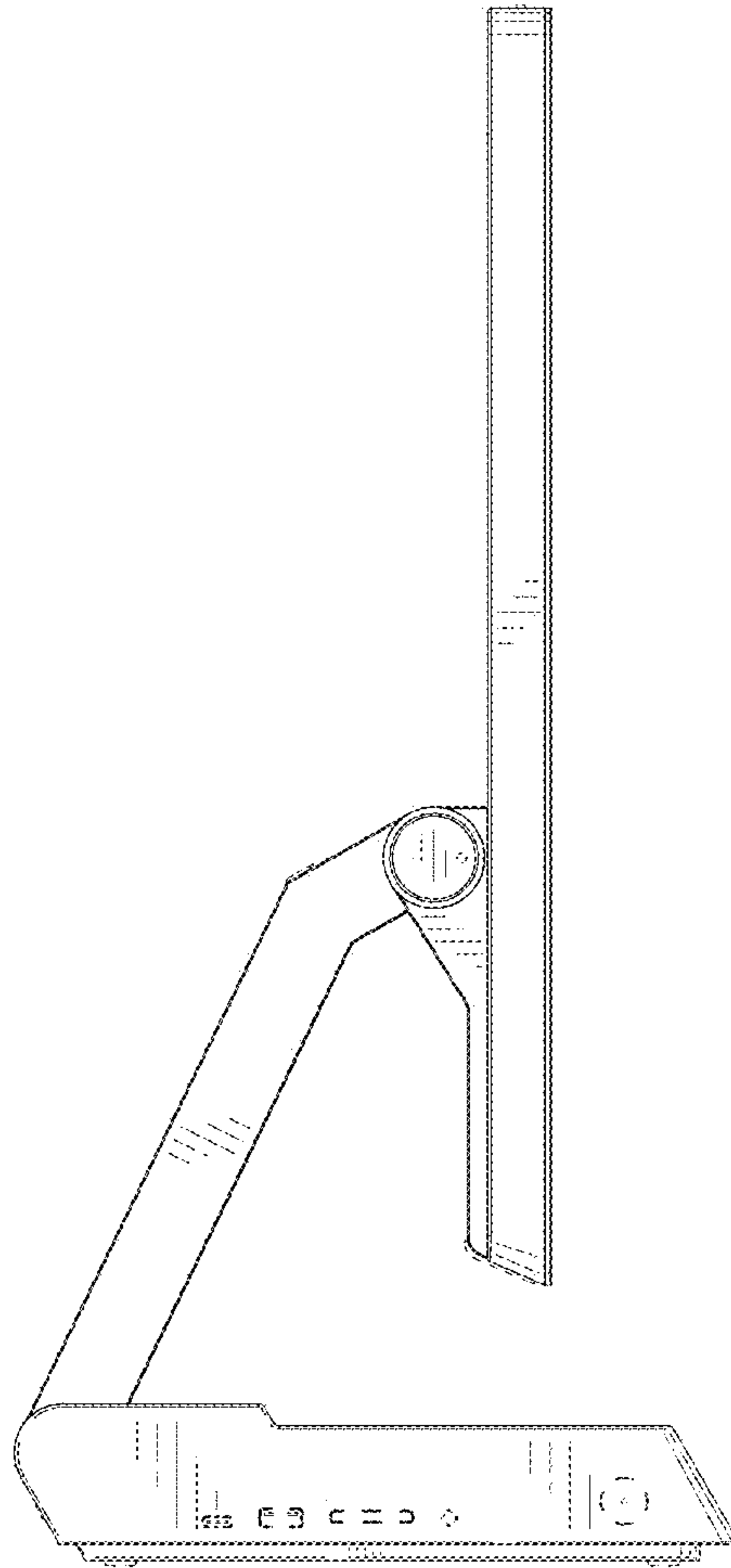


FIG. 3

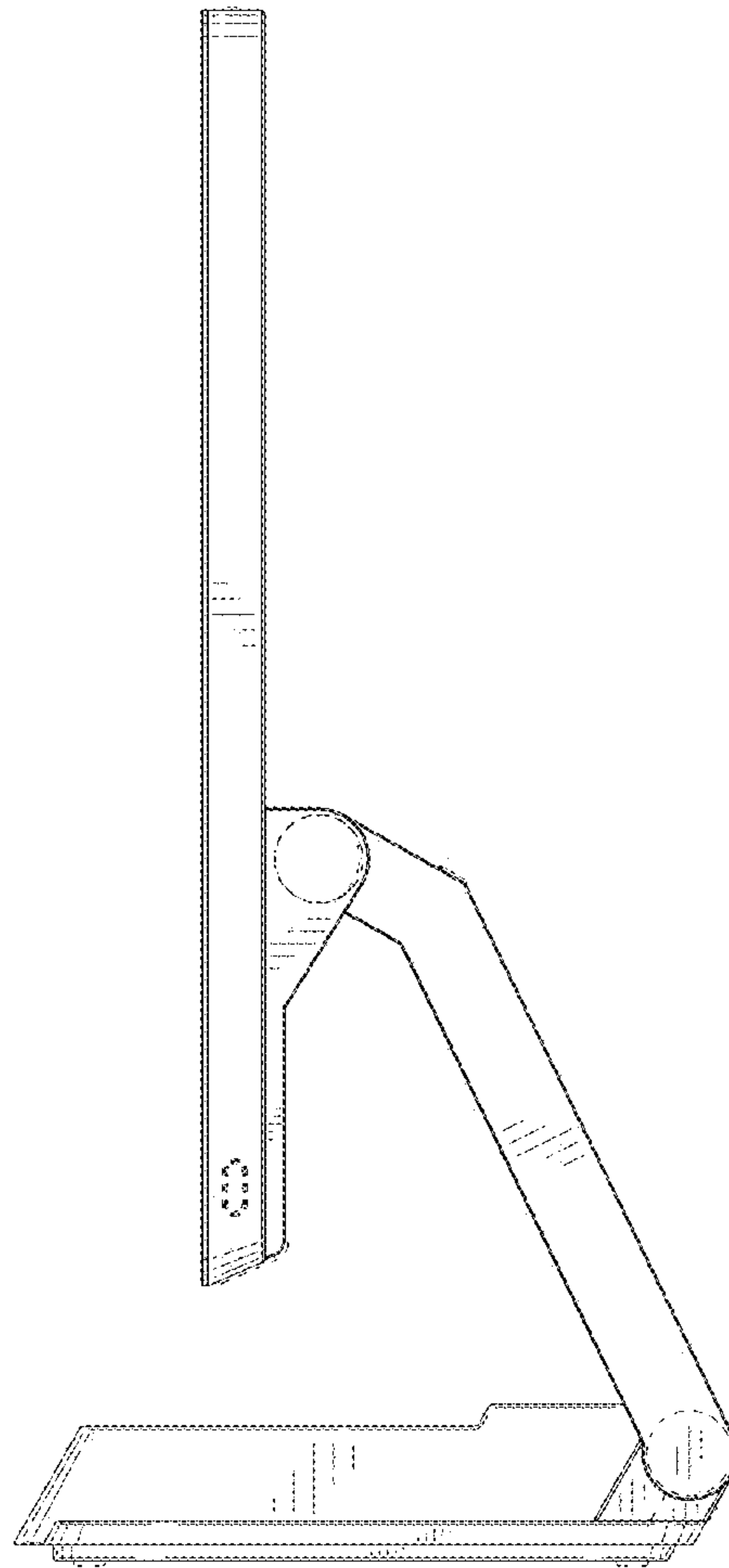


FIG. 4



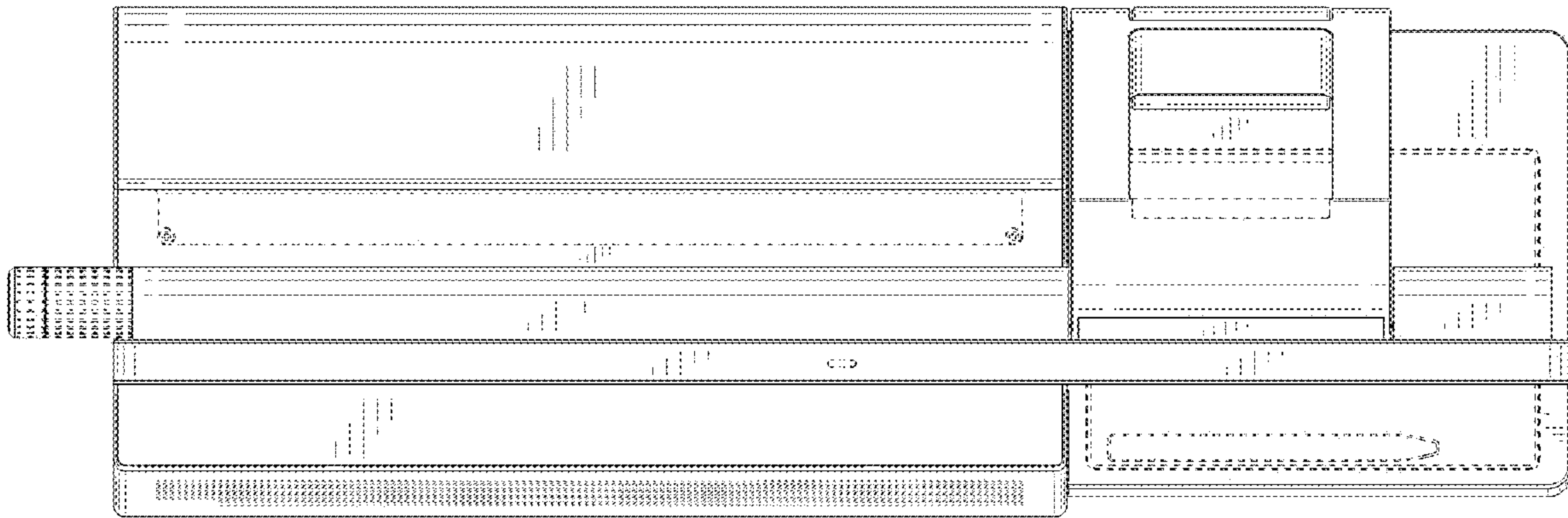


FIG. 5

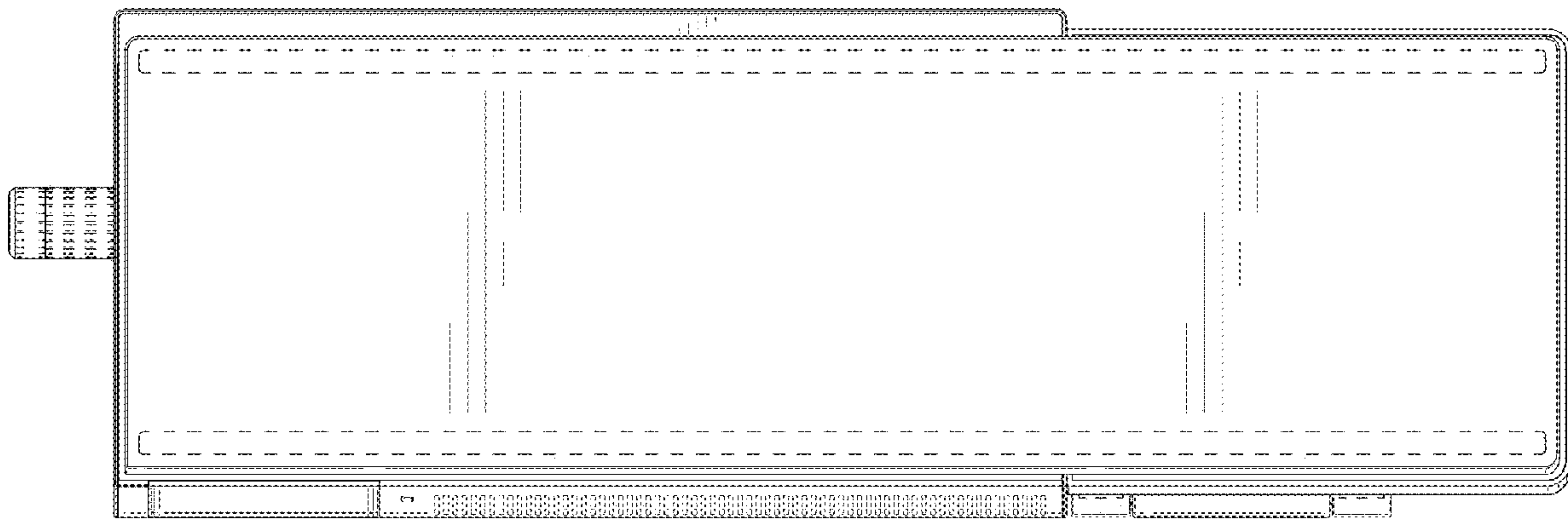


FIG. 6



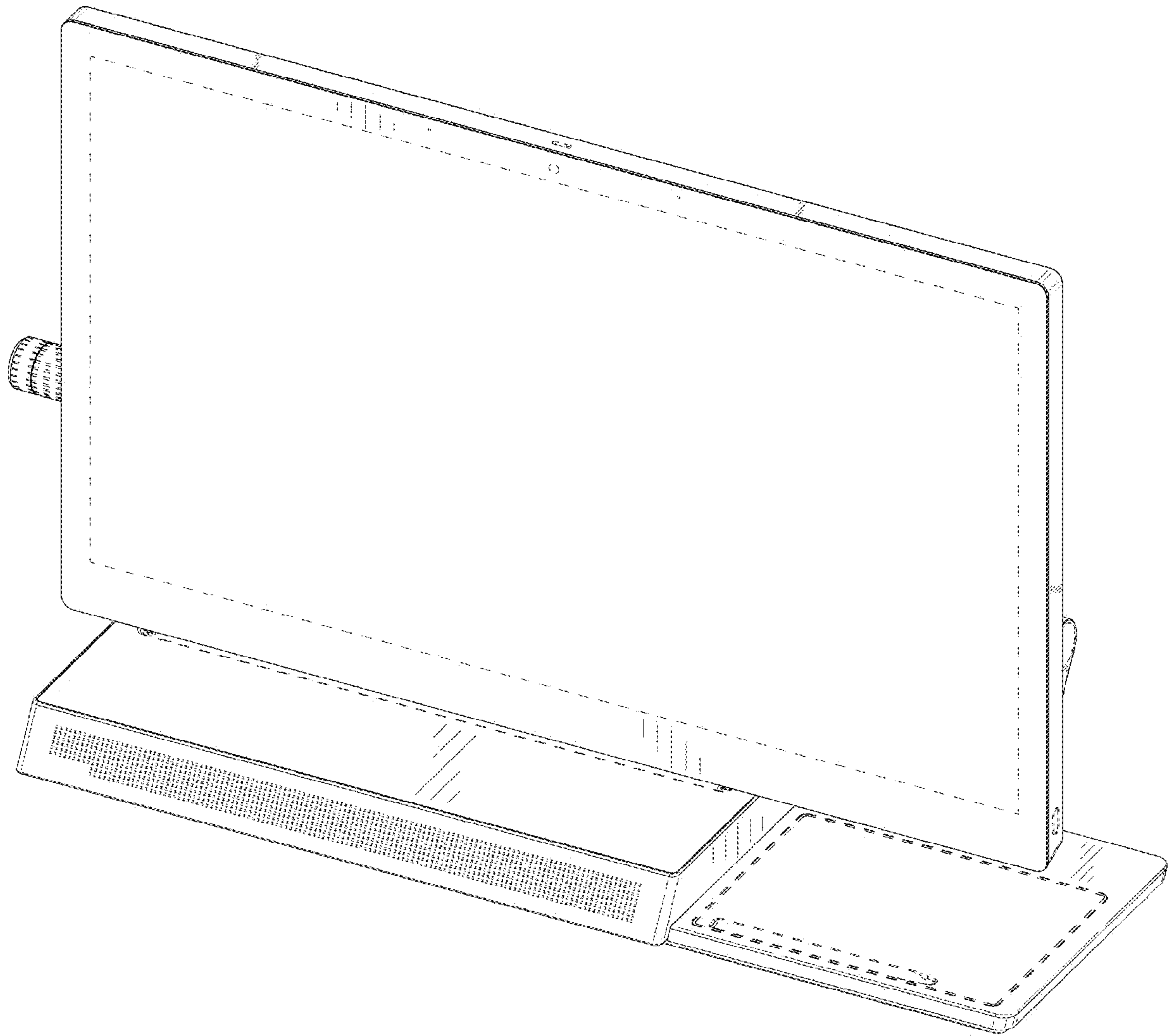


FIG. 7

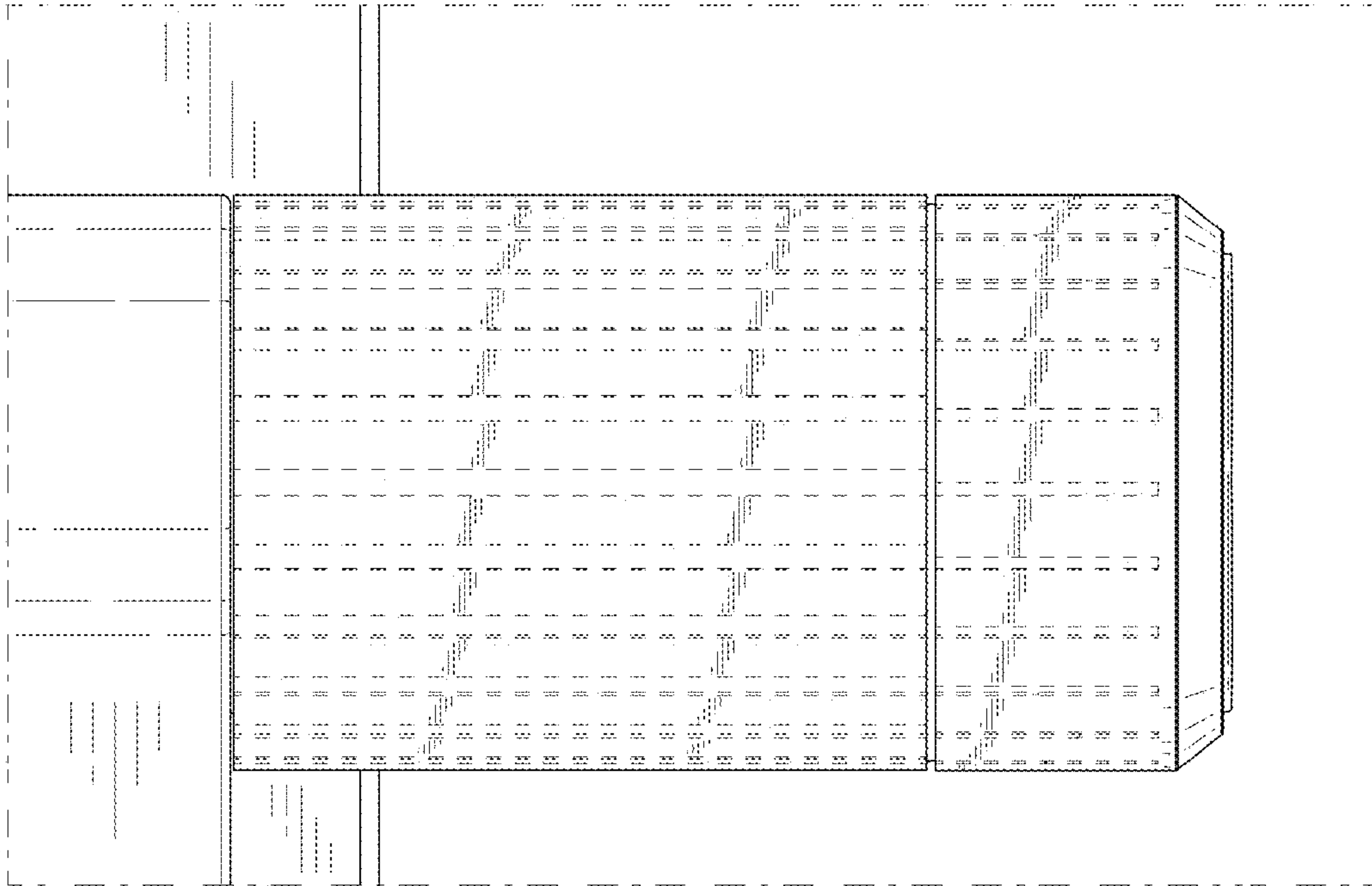


FIG. 8