



US00D925518S

(12) **United States Design Patent**  
**Neiman et al.**

(10) **Patent No.:** **US D925,518 S**

(45) **Date of Patent:** **\*\* Jul. 20, 2021**

(54) **DIGITAL DISPLAY UNIT**

(71) Applicant: **BIG Digital Corp.**, Toronto (CA)

(72) Inventors: **Yakov Neiman**, Toronto (CA); **Michael Girgis**, Toronto (CA); **Dmitri Melamed**, Toronto (CA); **Jeff Wismer**, Toronto (CA); **Diego Grimaldi**, Toronto (CA); **Mazen Salloum**, Toronto (CA); **Emmett Martin**, Toronto (CA); **Adam Smith**, Toronto (CA)

(73) Assignee: **BIG Digital Corp.**, Toronto (CA)

(\*\*) Term: **15 Years**

(21) Appl. No.: **29/718,669**

(22) Filed: **Dec. 27, 2019**

(51) **LOC (13) Cl.** ..... **14-02**

(52) **U.S. Cl.**

USPC ..... **D14/307**

(58) **Field of Classification Search**

USPC ..... D14/302-307, 900-902; D13/163;  
D20/10; D21/332, 325, 369, 370;  
D99/28; D6/397, 466; 361/679.01,  
361/679.02, 679.04, 679.21, 679.57, 725  
CPC ..... G06Q 20/18; G06Q 20/10; G06Q 20/123;  
G06Q 20/20; G06Q 30/02; G06Q 30/06;  
A47F 9/047

See application file for complete search history.

(56) **References Cited**

U.S. PATENT DOCUMENTS

D639,800 S \* 6/2011 Magruder ..... D14/307  
D646,269 S \* 10/2011 Crick, Jr. .... D14/307

D661,291 S \* 6/2012 Renukanand ..... D14/307  
D671,535 S \* 11/2012 Terashima ..... D14/307  
D722,313 S \* 2/2015 Birgeoglu ..... D14/307  
D732,015 S \* 6/2015 Alekhin ..... D14/307  
D776,651 S \* 1/2017 Yates ..... D14/307  
D789,100 S \* 6/2017 Gorman ..... D6/313  
D884,693 S \* 5/2020 Mangeot ..... D14/307  
D884,694 S \* 5/2020 Mangeot ..... D14/307  
D894,894 S \* 9/2020 Corre ..... D14/307  
D896,806 S \* 9/2020 Zheng ..... D14/307  
D902,919 S \* 11/2020 Carmona ..... D14/307

\* cited by examiner

*Primary Examiner* — Austin Murphy

(74) *Attorney, Agent, or Firm* — Banner & Witcoff, Ltd.

(57) **CLAIM**

The ornamental design for a digital display unit, as shown and described.

**DESCRIPTION**

FIG. 1 is a front view of a first digital display unit showing our new design;

FIG. 2 is a rear view thereof;

FIG. 3 is a rear perspective view thereof;

FIG. 4 is right side view thereof;

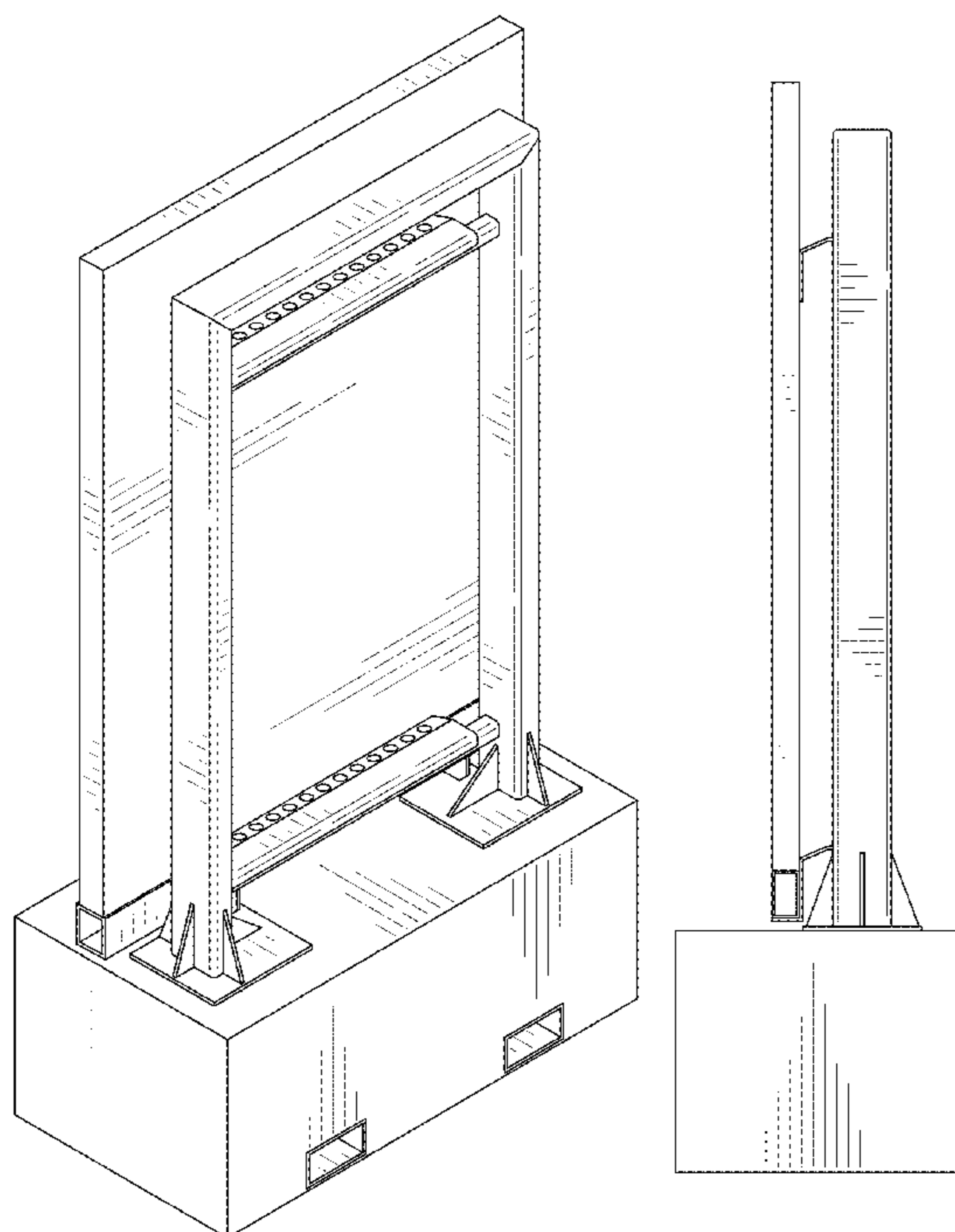
FIG. 5 is a left side view thereof;

FIG. 6 is a top plan view thereof; and,

FIG. 7 is a bottom plan view thereof.

The broken lines illustrate environmental structure and form no part of the claimed design. The unshaded areas within the bounds of the broken lines or bounded by broken lines and solid lines in FIG. 1 form no part of the claimed design.

**1 Claim, 5 Drawing Sheets**



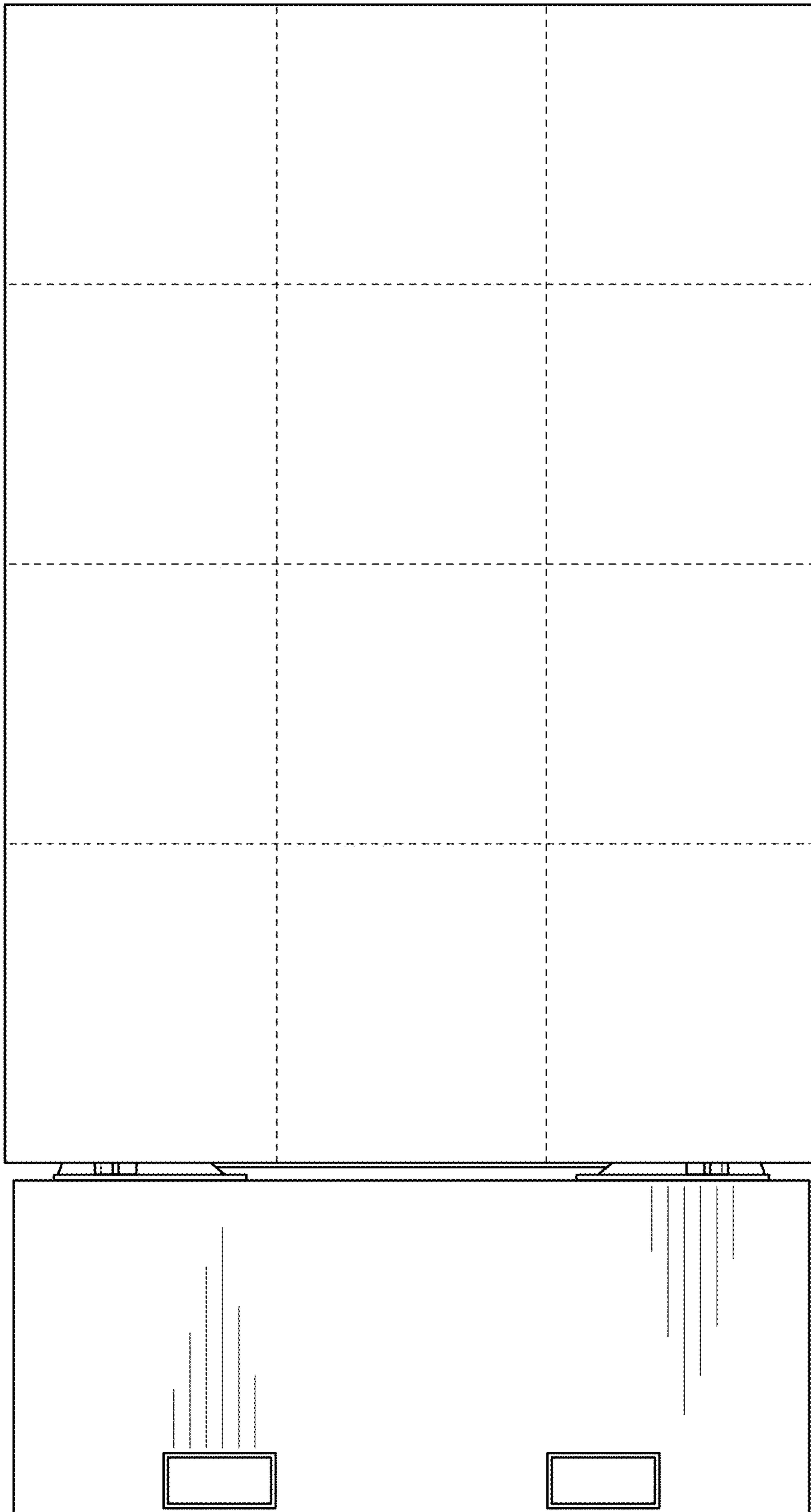


FIG. 1

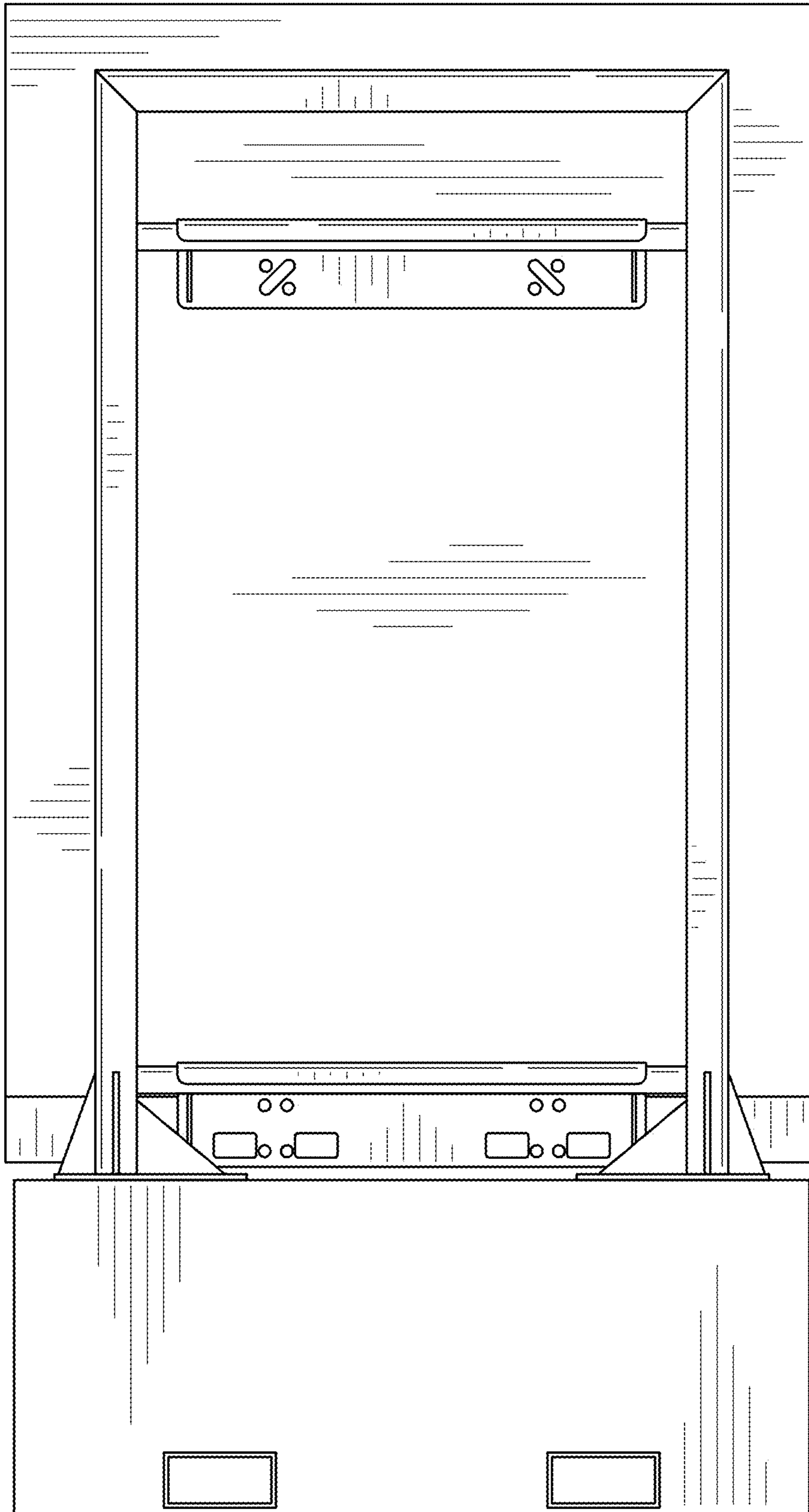


FIG. 2

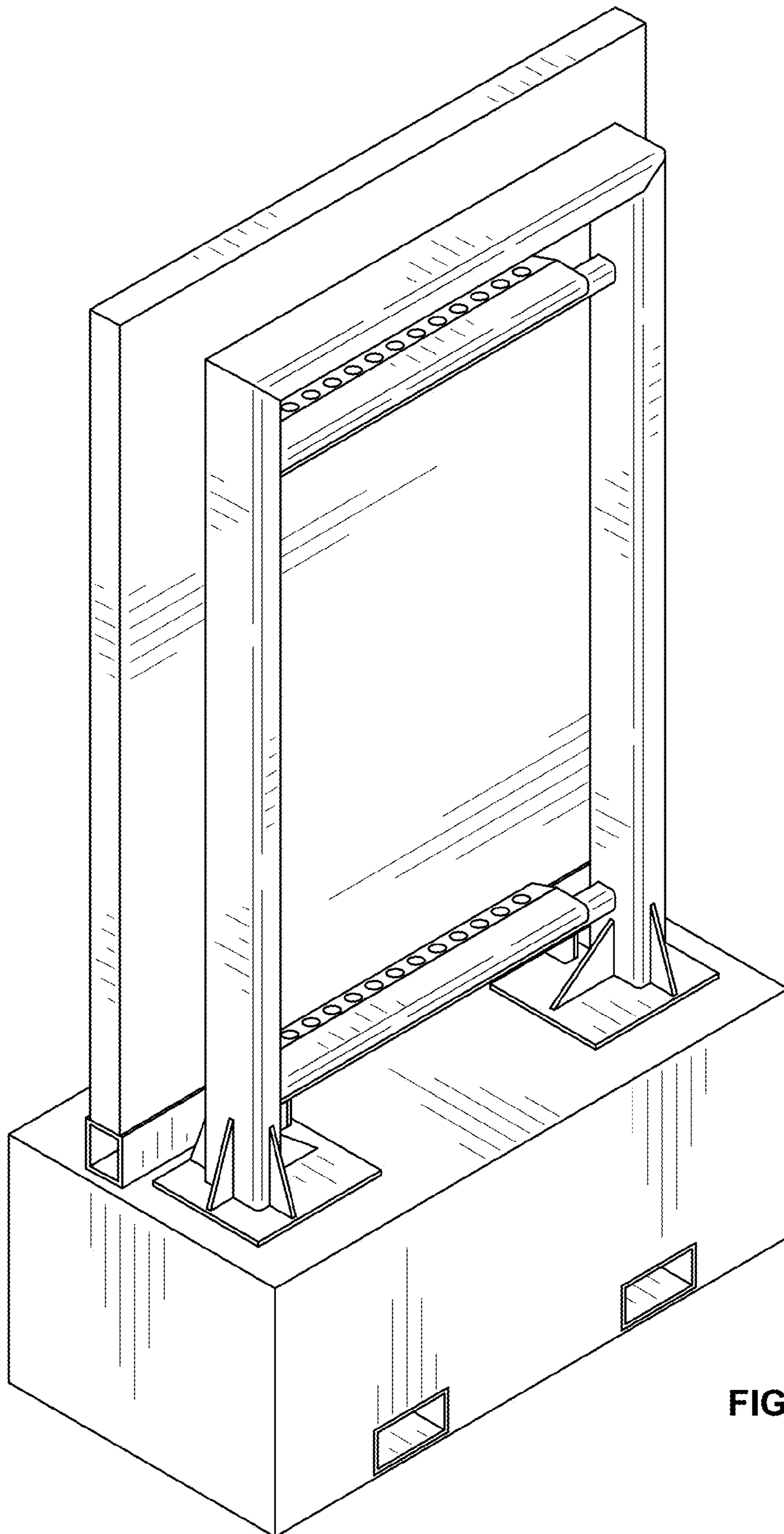


FIG. 3

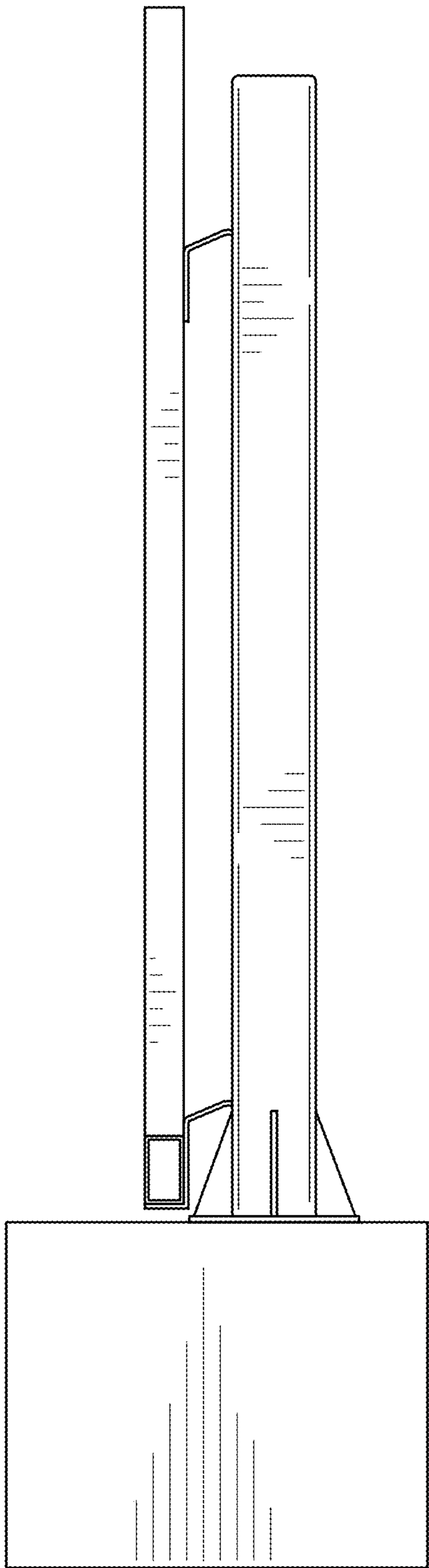


FIG. 4

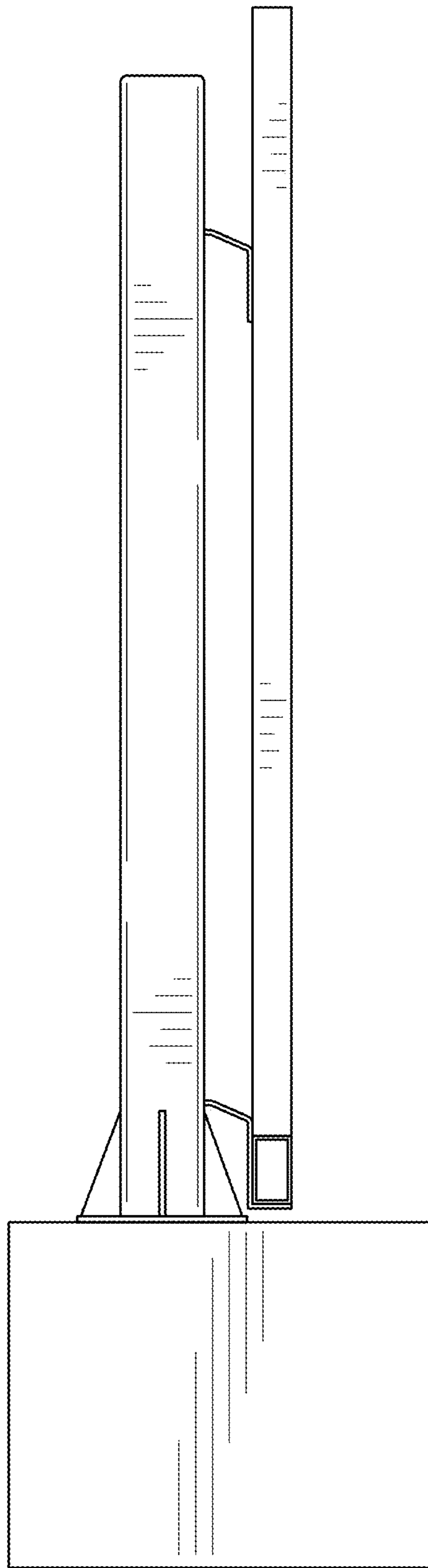


FIG. 5

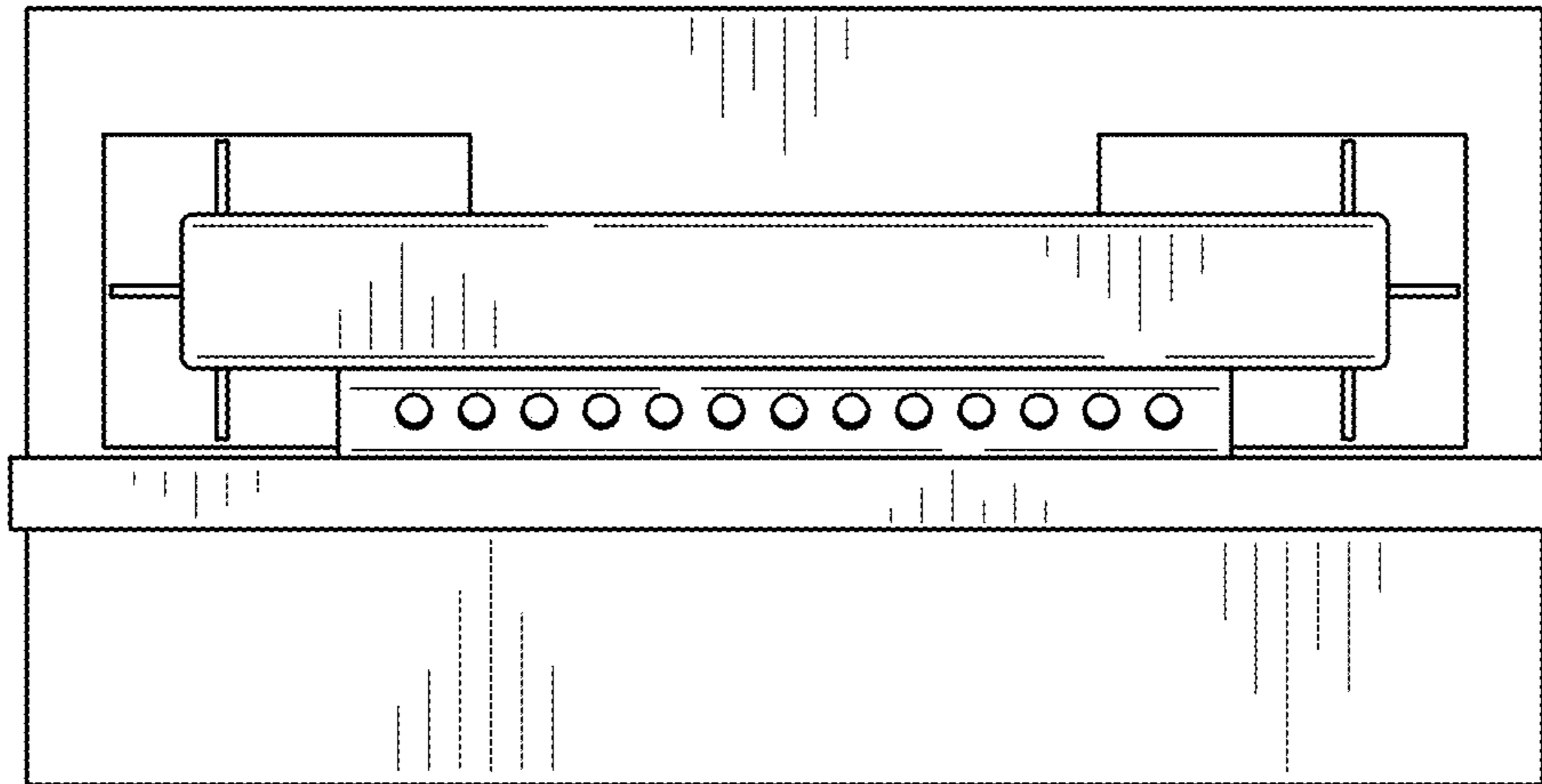


FIG. 6

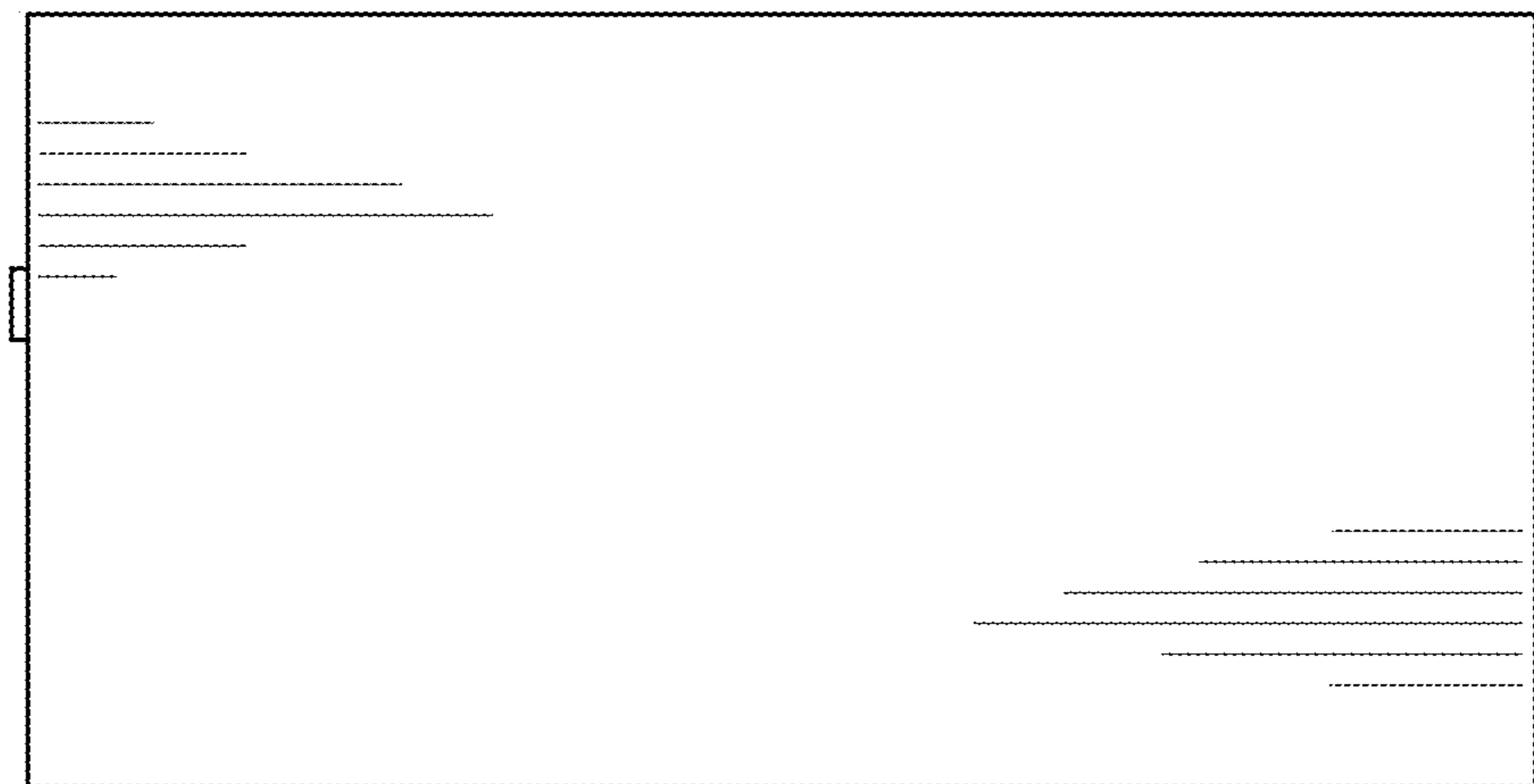


FIG. 7

UNITED STATES PATENT AND TRADEMARK OFFICE  
**CERTIFICATE OF CORRECTION**

PATENT NO. : D925,518 S  
APPLICATION NO. : 29/718669  
DATED : July 20, 2021  
INVENTOR(S) : Yakov Neiman et al.

Page 1 of 1

It is certified that error appears in the above-identified patent and that said Letters Patent is hereby corrected as shown below:

On the Title Page

Item (30): under Foreign Application Priority Data, the priority claim should be added:

-- Jun 28, 2019 (CA) 188440 --

Signed and Sealed this  
First Day of March, 2022



Drew Hirshfeld  
*Performing the Functions and Duties of the  
Under Secretary of Commerce for Intellectual Property and  
Director of the United States Patent and Trademark Office*