



US00D925514S

(12) **United States Design Patent** (10) **Patent No.:** **US D925,514 S**  
**Chung** (45) **Date of Patent:** **\*\* Jul. 20, 2021**

(54) **MOBILE PHONE CASE**  
(71) Applicant: **ISPEAKER CO., LTD.**, Goyang-Si (KR)  
(72) Inventor: **Young Suk Chung**, Goyang-Si (KR)  
(73) Assignee: **ISPEAKER CO., LTD.**  
(\*\*) Term: **15 Years**

9,721,077 B1 \* 8/2017 Daniel ..... G06F 21/86  
D824,892 S \* 8/2018 Altschul ..... D14/250  
D830,352 S \* 10/2018 Chung ..... D14/250  
D832,244 S \* 10/2018 Poon ..... D14/250  
D834,010 S \* 11/2018 Kim ..... D14/250  
D836,096 S \* 12/2018 Altschul ..... D14/250  
D837,775 S \* 1/2019 Koo ..... D14/250  
D837,776 S \* 1/2019 Chung ..... D14/250  
D849,733 S \* 5/2019 Yun ..... D14/250

(Continued)

(21) Appl. No.: **29/713,297**  
(22) Filed: **Nov. 14, 2019**  
(30) **Foreign Application Priority Data**

Oct. 18, 2019 (KR) ..... 30-2019-0049627

(51) **LOC (13) Cl.** ..... **14-03**  
(52) **U.S. Cl.**  
USPC ..... **D14/250**

(58) **Field of Classification Search**  
USPC .... D14/217, 238.1, 240, 248, 250, 251–253,  
D14/439, 440, 447; D13/107–108, 103,  
D13/119; D3/201, 218, 247, 269, 273,  
D3/301, 303  
CPC ..... H04B 1/3888; H04M 1/0283;  
H04M 1/0202; A45C 1/06; A45C 11/00;  
A45C 13/02; A45C 2011/002; A45F  
2005/026; A45F 2200/0525; A45F  
2200/0516

See application file for complete search history.

(56) **References Cited**

**U.S. PATENT DOCUMENTS**

D688,655 S \* 8/2013 Rey-Hipolito ..... D14/250  
D703,651 S \* 4/2014 Ehrlich ..... D14/250  
D744,470 S \* 12/2015 Stevinson ..... D14/250  
D759,004 S \* 6/2016 Stevinson ..... D14/250  
9,521,223 B1 \* 12/2016 Rajagopalan ..... H04M 1/72569  
D780,163 S \* 2/2017 Fathollahi ..... D14/250  
9,661,116 B1 \* 5/2017 Chung ..... A45C 11/00

**OTHER PUBLICATIONS**

“COOYA Compatible with iPhone 12 Case/iPhone 12 Pro Case Wallet [ . . . ]” [online]. COOYA. [Date first available Oct. 13, 2020]. Retrieved from the Internet: <<https://www.amazon.com/dp/B08JM2BLS1>>.\*

(Continued)

*Primary Examiner* — Mojtaba Tehrani  
(74) *Attorney, Agent, or Firm* — Renaissance IP Law Group LLP

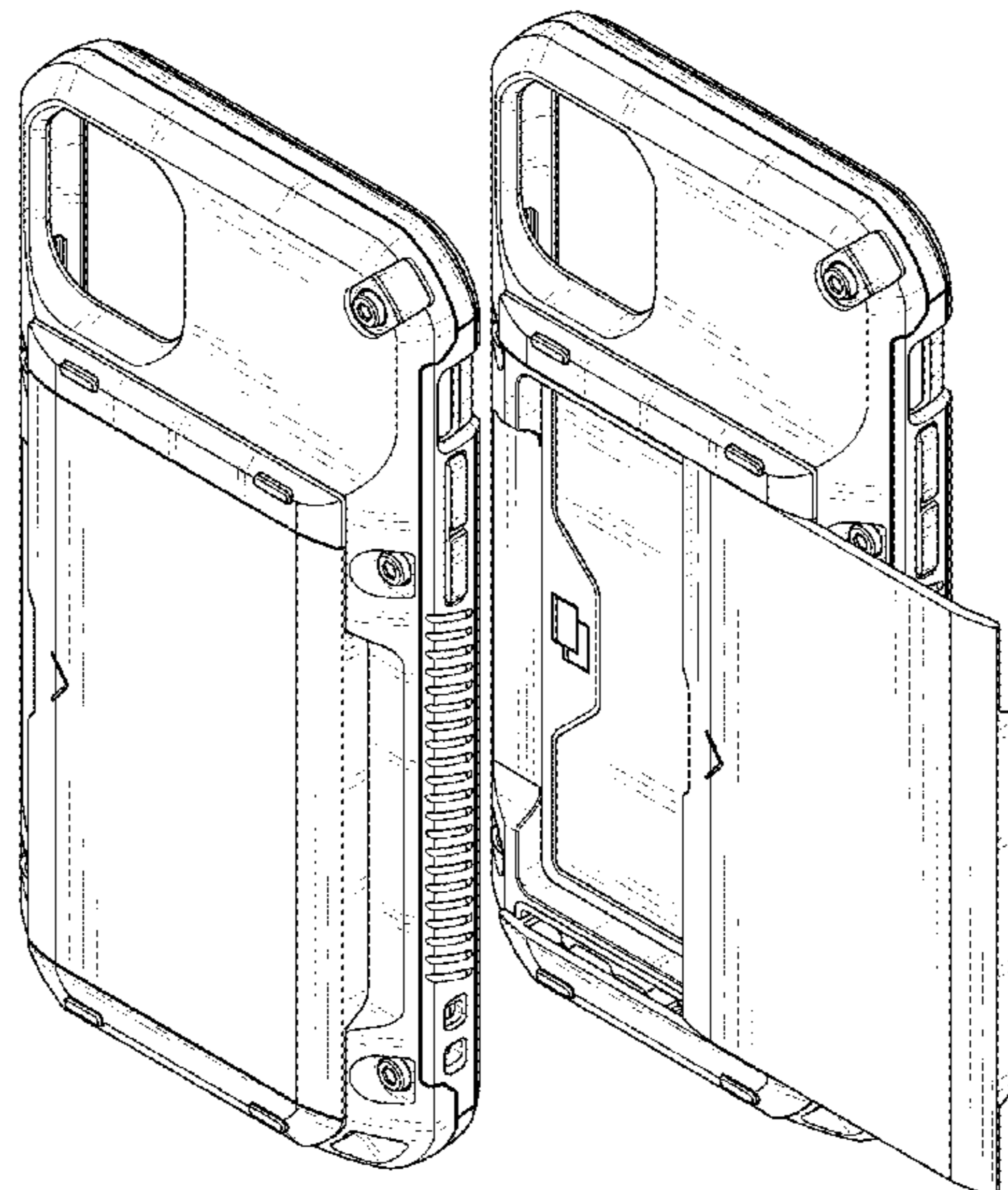
(57) **CLAIM**

The ornamental design for a mobile phone case, as shown and described.

**DESCRIPTION**

FIG. 1 is a perspective view showing our new design for a mobile phone case;  
FIG. 2 is a front view thereof;  
FIG. 3 is a rear view thereof;  
FIG. 4 is a left side view thereof;  
FIG. 5 is a right side view thereof;  
FIG. 6 is a top plan view thereof;  
FIG. 7 is a bottom plan view thereof; and,  
FIG. 8 is a perspective illustrating the mobile phone case of the present invention in its environment of use.  
The broken lines in the drawings depict unclaimed portions of the case only and form no part of the claim designed.

**1 Claim, 7 Drawing Sheets**



(56)

**References Cited**

U.S. PATENT DOCUMENTS

D850,373 S \* 6/2019 Zhang ..... D13/108  
D850,435 S \* 6/2019 Yun ..... D14/250  
D855,607 S \* 8/2019 Altschul ..... D14/250  
D859,391 S \* 9/2019 Yun ..... D14/250  
D864,936 S \* 10/2019 Chiang ..... D14/250  
D865,742 S \* 11/2019 Altschul ..... D14/250  
D865,743 S \* 11/2019 Altschul ..... D14/250  
D868,051 S \* 11/2019 Kim ..... D14/250  
D879,757 S \* 3/2020 Altschul ..... D14/250  
D879,758 S \* 3/2020 Altschul ..... D14/250  
D880,465 S \* 4/2020 Altschul ..... D14/250  
D892,783 S \* 8/2020 Kim ..... D14/250  
2018/0191395 A1 \* 7/2018 Chung ..... A45C 11/182  
2020/0310491 A1 \* 10/2020 Kim ..... H02J 7/0044

OTHER PUBLICATIONS

“VRS Design Damda Glide Pro Compatible for iPhone 12/12 ProCase, [ . . . ]” [online]. VRS Design. [Date first available Sep. 23, 2020]. Retrieved from the Internet: <<https://www.amazon.com/dp/B08JWY9JWH>>.\*

\* cited by examiner

FIG. 1

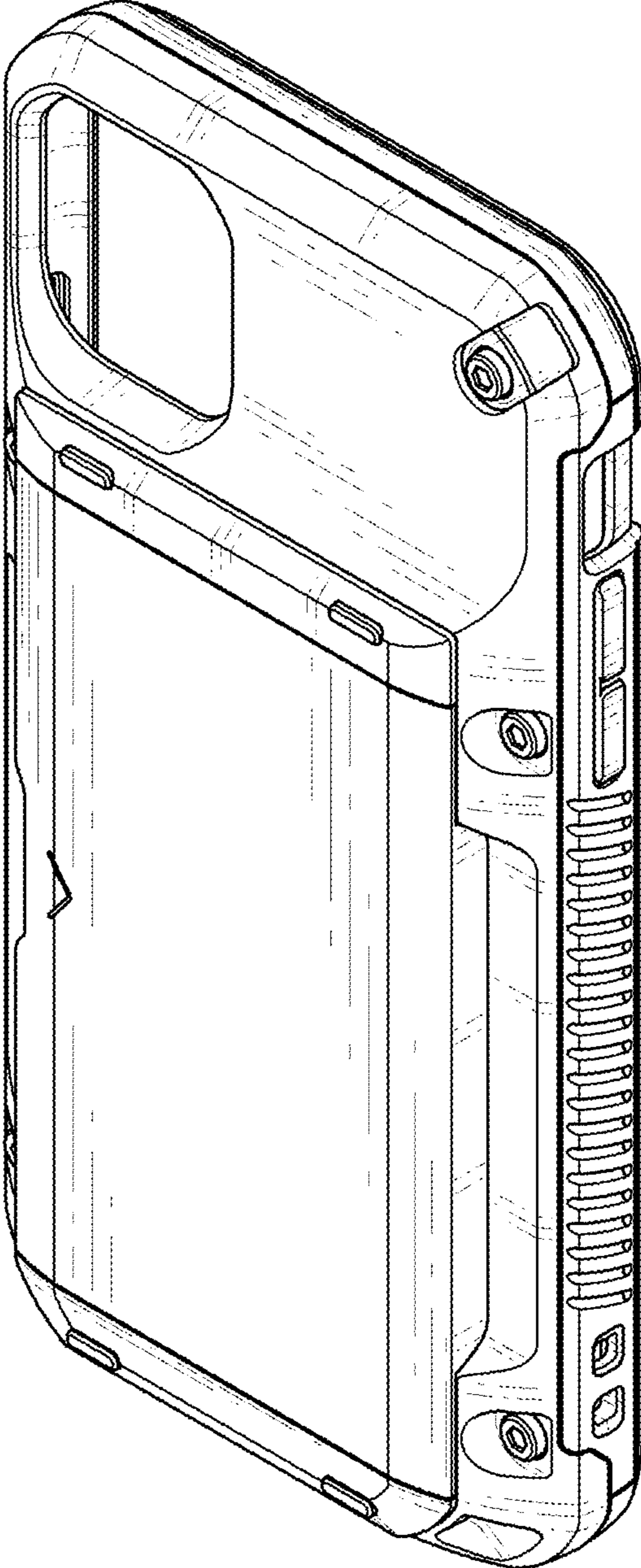


FIG. 2

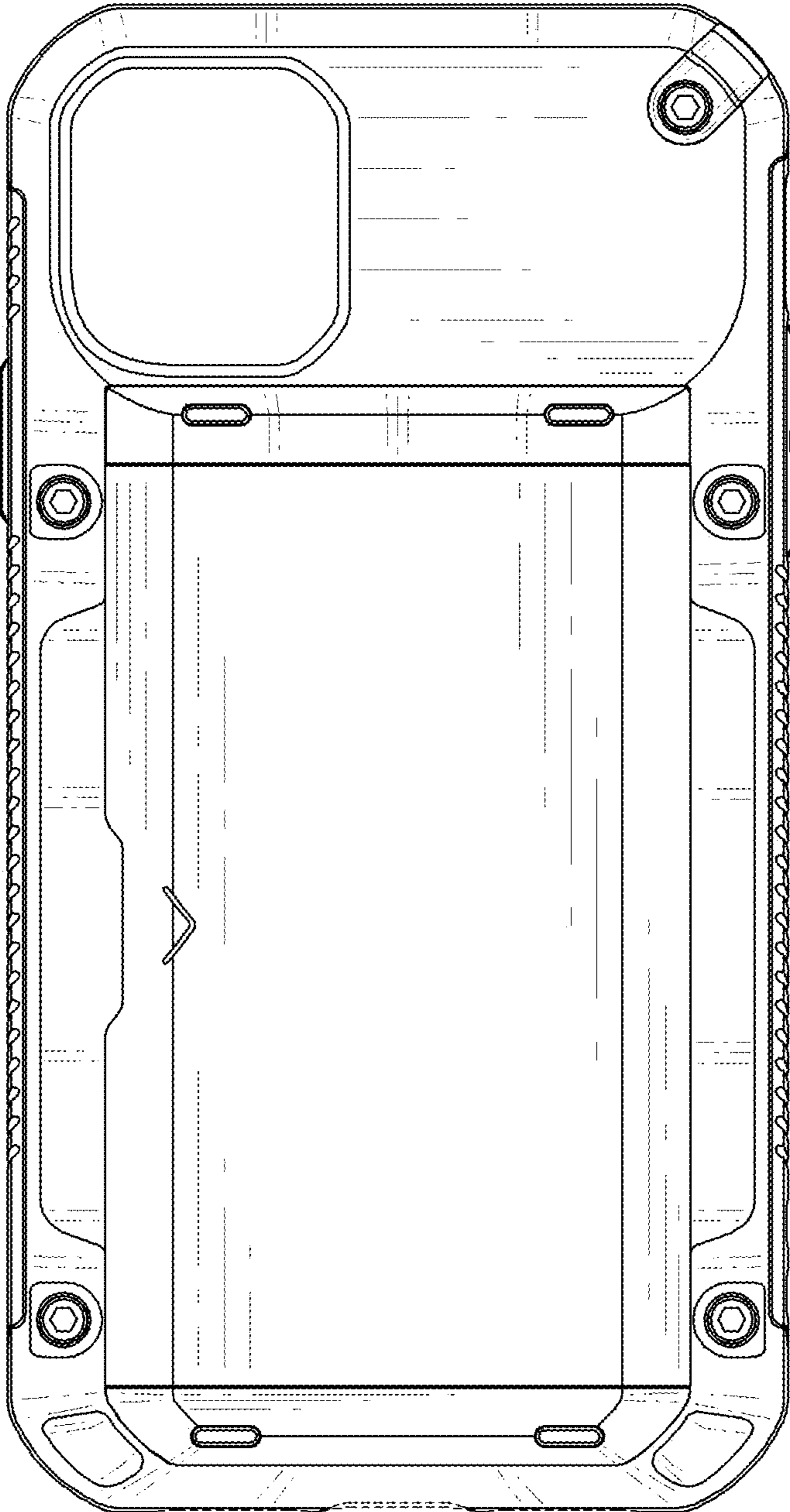




FIG. 3

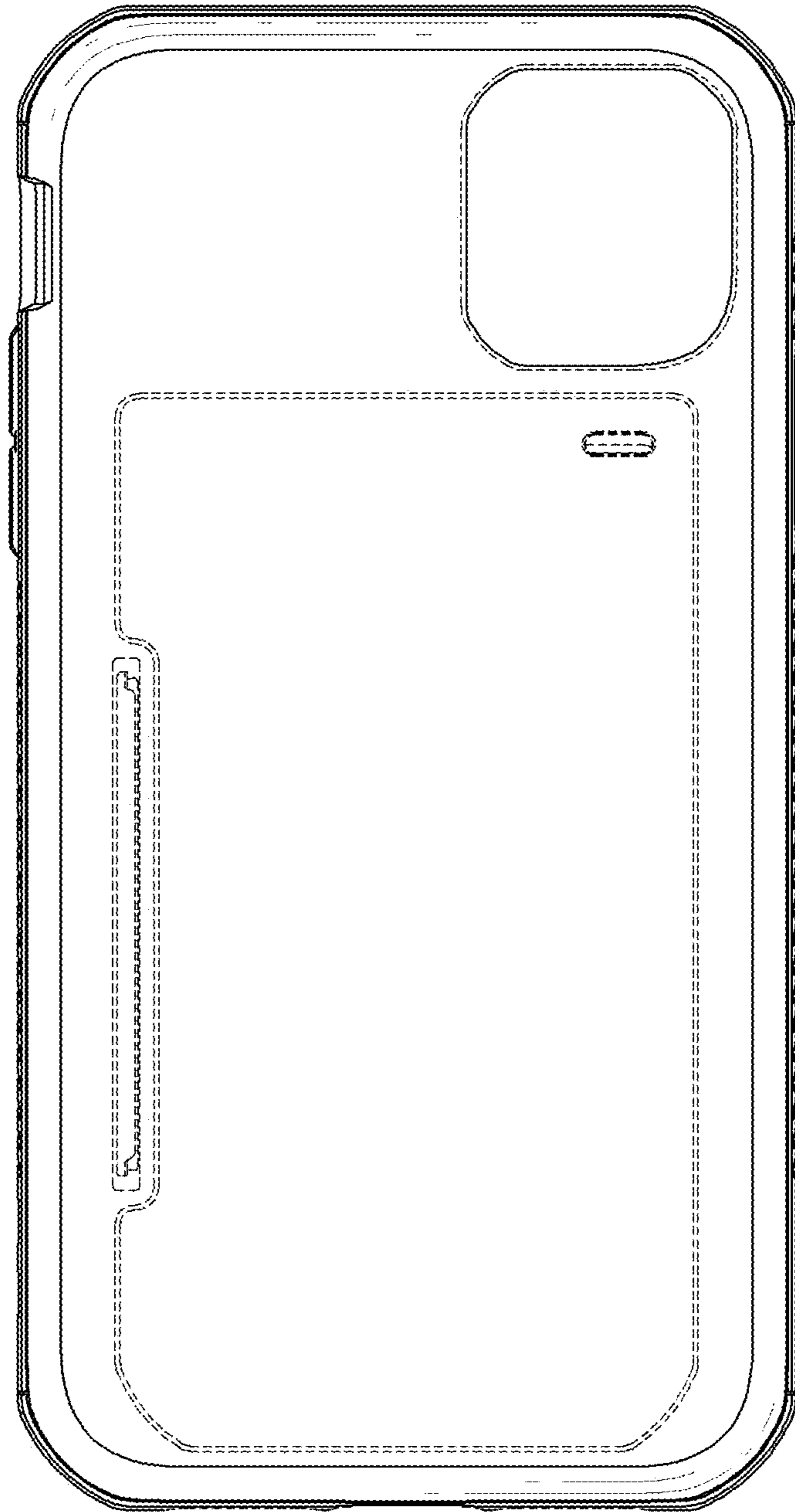


FIG. 4

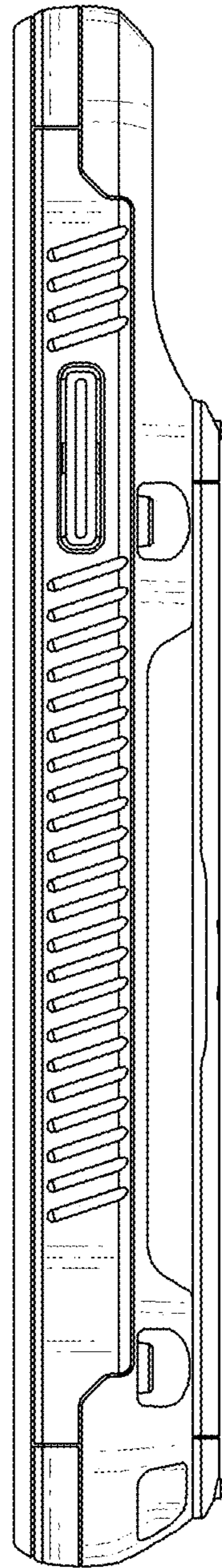


FIG. 5

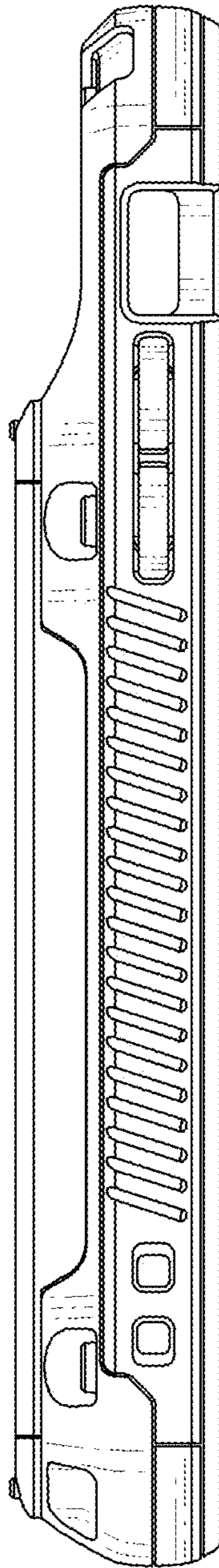


FIG. 6

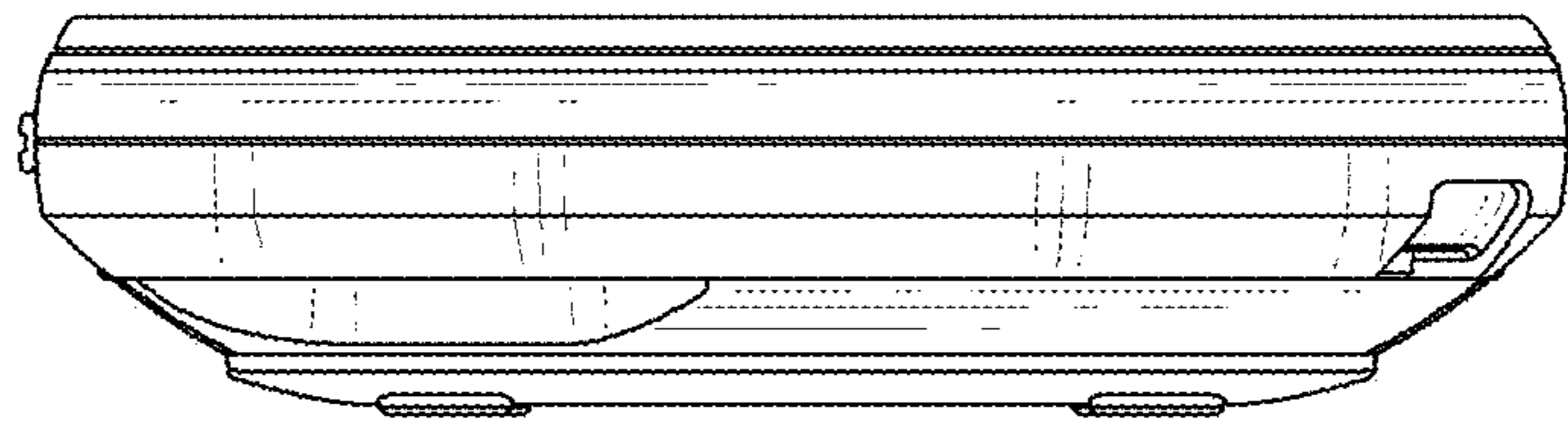


FIG. 7

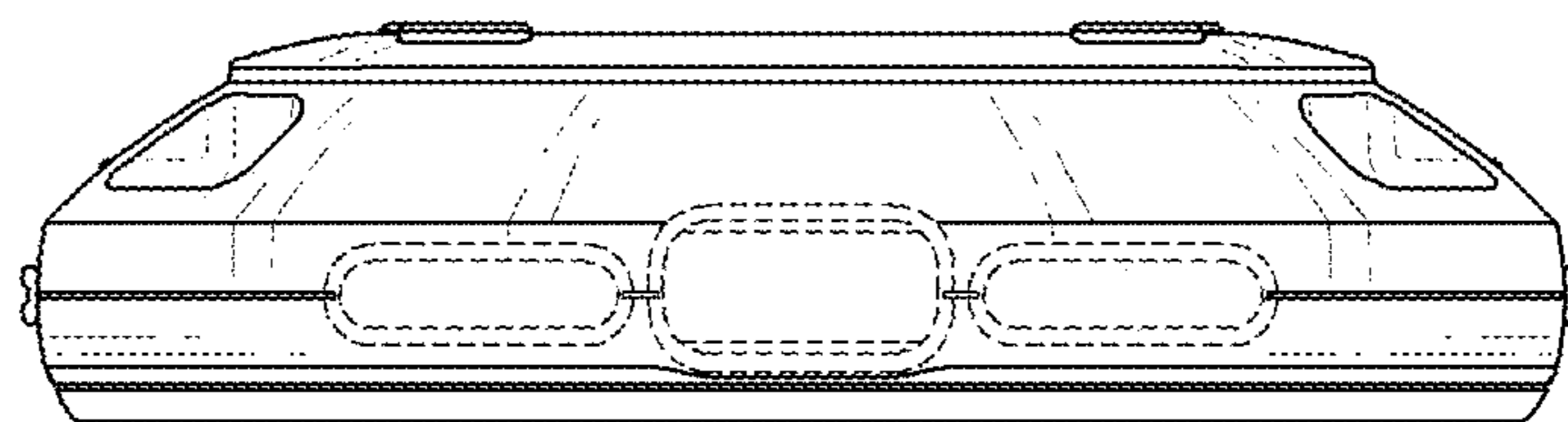




FIG. 8

