



US00D925510S

(12) **United States Design Patent**
Hjertberg et al.

(10) **Patent No.:** **US D925,510 S**
(45) **Date of Patent:** **** Jul. 20, 2021**

(54) **COMMUNICATIONS EQUIPMENT**

(71) Applicant: **3M INNOVATIVE PROPERTIES COMPANY**, St. Paul, MN (US)

(72) Inventors: **Tim S. Hjertberg**, Jönköping (SE);
Robert Karlsson, Bredaryd (SE)

(73) Assignee: **3M Innovative Properties Company**,
St. Paul, MN (US)

(**) Term: **15 Years**

(21) Appl. No.: **29/705,696**

(22) Filed: **Sep. 13, 2019**

(51) **LOC (13) Cl.** **14-03**

(52) **U.S. Cl.**
USPC **D14/240**

(58) **Field of Classification Search**
USPC D14/240, 242, 357, 358, 140-140.9, 155,
D14/125, 137, 139, 243, 348, 349, 351,
D14/354, 355
CPC H04L 12/00; H03K 17/00; H04W 88/00;
H04W 88/005; H04W 88/02; H04W
88/08; H04W 88/085; H04W 88/10;
H04W 88/12; H04W 88/14; H04B 1/38
See application file for complete search history.

(56) **References Cited**

U.S. PATENT DOCUMENTS

D229,085 S * 11/1973 Lutenegeger D10/38
D311,740 S * 10/1990 Wagner D14/358
D330,704 S * 11/1992 Wagner D13/147
D340,000 S * 10/1993 Issa D10/106.1
D452,681 S * 1/2002 Inoue D13/151

D532,385 S * 11/2006 Shapson D14/125
D551,650 S * 9/2007 DiPasquale D14/140.1
D577,713 S * 9/2008 Kim D14/218
D609,221 S * 2/2010 Kim D14/218
D609,701 S * 2/2010 Hou D14/240
D620,486 S * 7/2010 Branch D14/242
D738,347 S * 9/2015 Reimer D14/155
D781,272 S * 3/2017 Virhia D14/240
D819,633 S * 6/2018 Jun D14/363
D854,522 S * 7/2019 Wild D14/240
D859,340 S * 9/2019 Siponen D14/137
D883,969 S * 5/2020 Nogueira-Nine D14/242

FOREIGN PATENT DOCUMENTS

EM 006312120 3/2019

* cited by examiner

Primary Examiner — Bridget L Eland

(74) *Attorney, Agent, or Firm* — Katherine M. Scholz

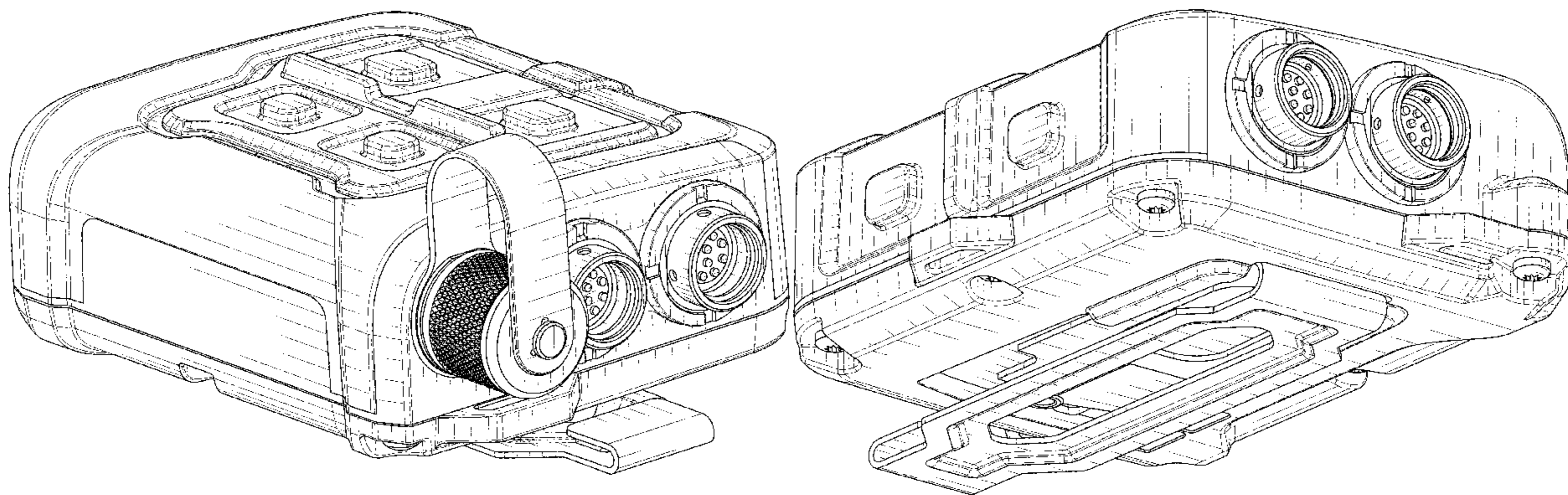
(57) **CLAIM**

The ornamental design for a communications equipment, as shown and described.

DESCRIPTION

FIG. 1 is a perspective view showing the new design for a communications equipment.
FIG. 2 is a side view thereof;
FIG. 3 is a side view thereof;
FIG. 4 is a front view thereof;
FIG. 5 is a rear view thereof;
FIG. 6 is a top view thereof;
FIG. 7 is a bottom view thereof; and,
FIG. 8 is a bottom perspective view thereof.

1 Claim, 7 Drawing Sheets



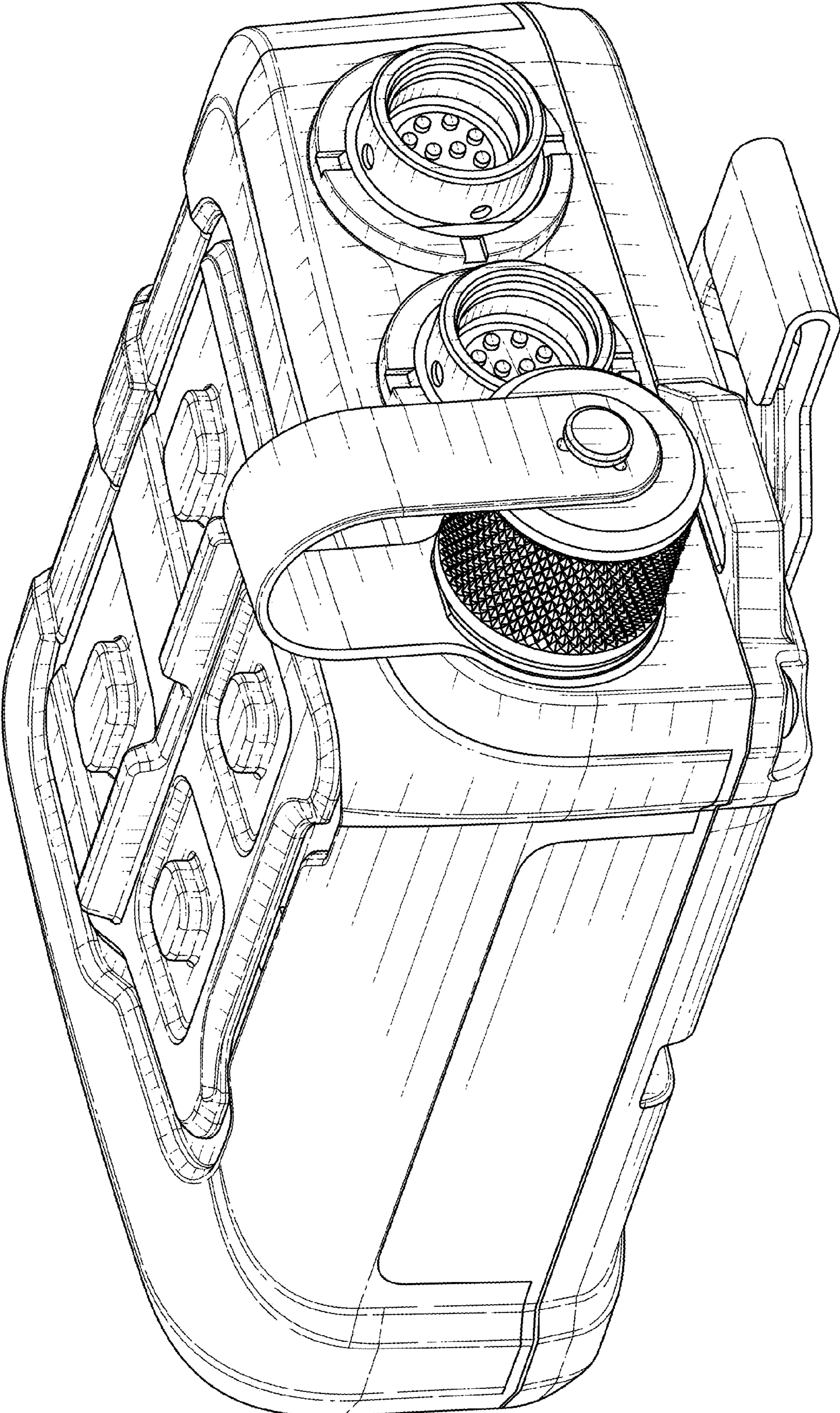


FIG. 1

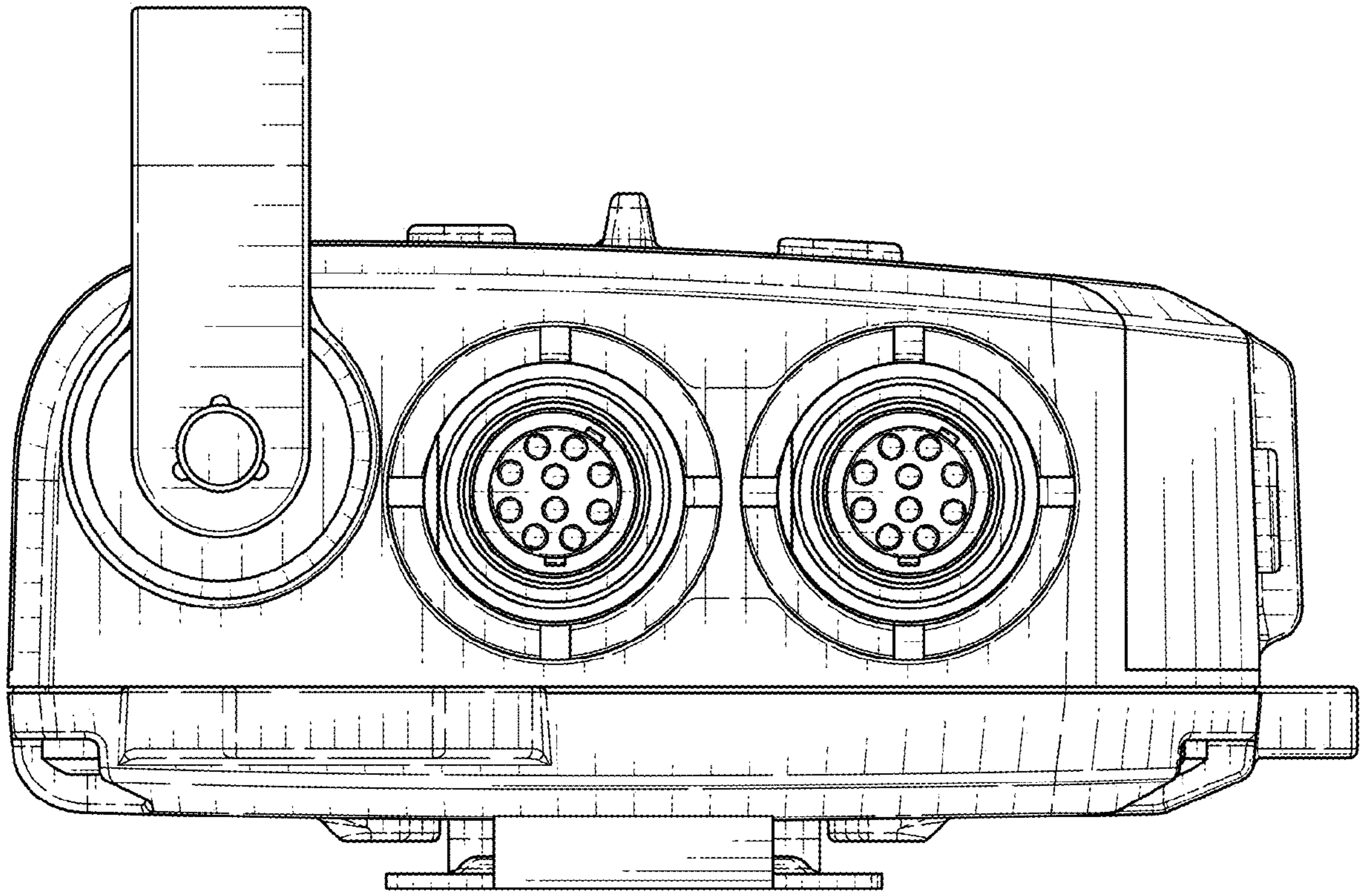


FIG. 2

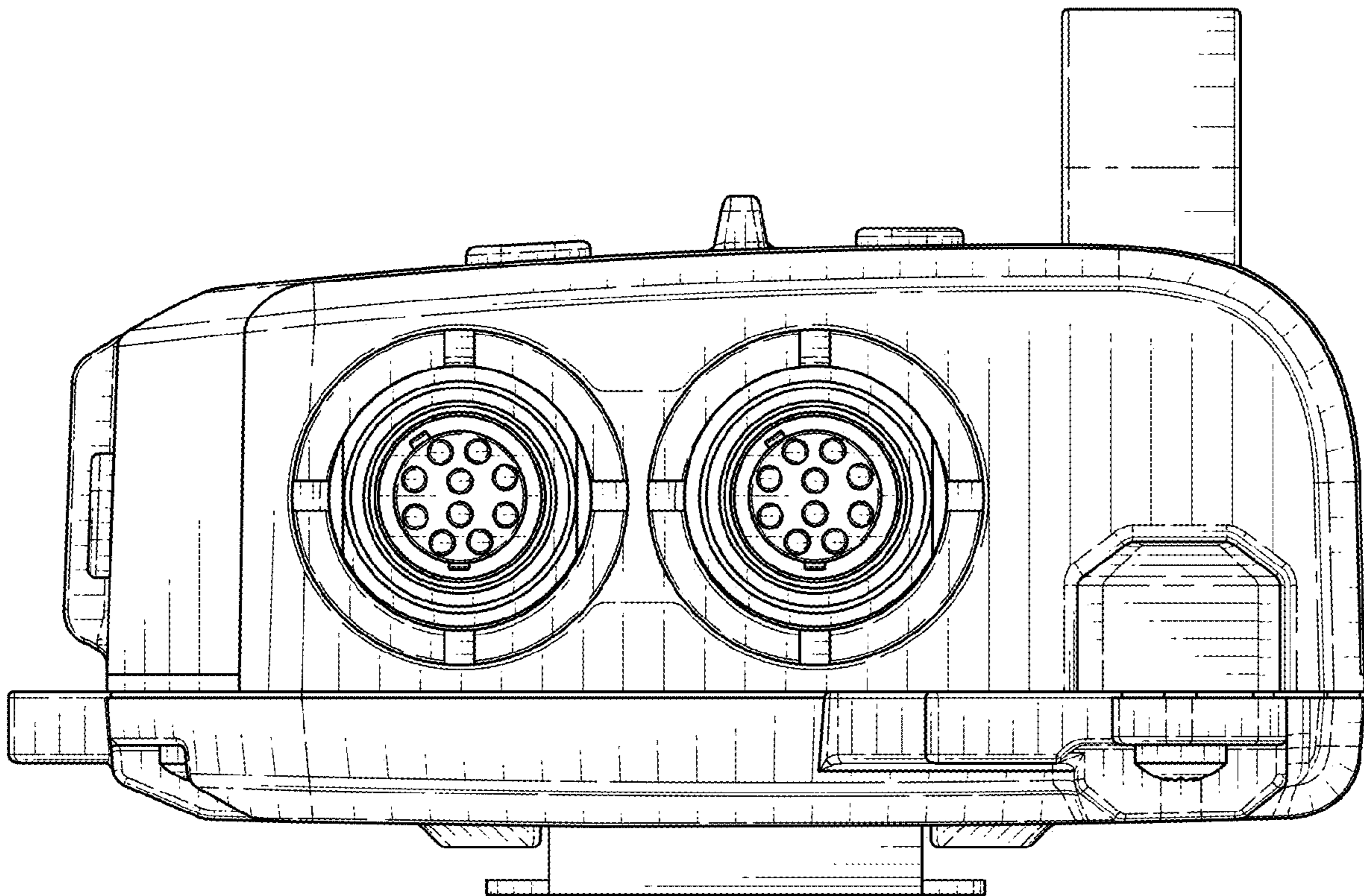


FIG. 3

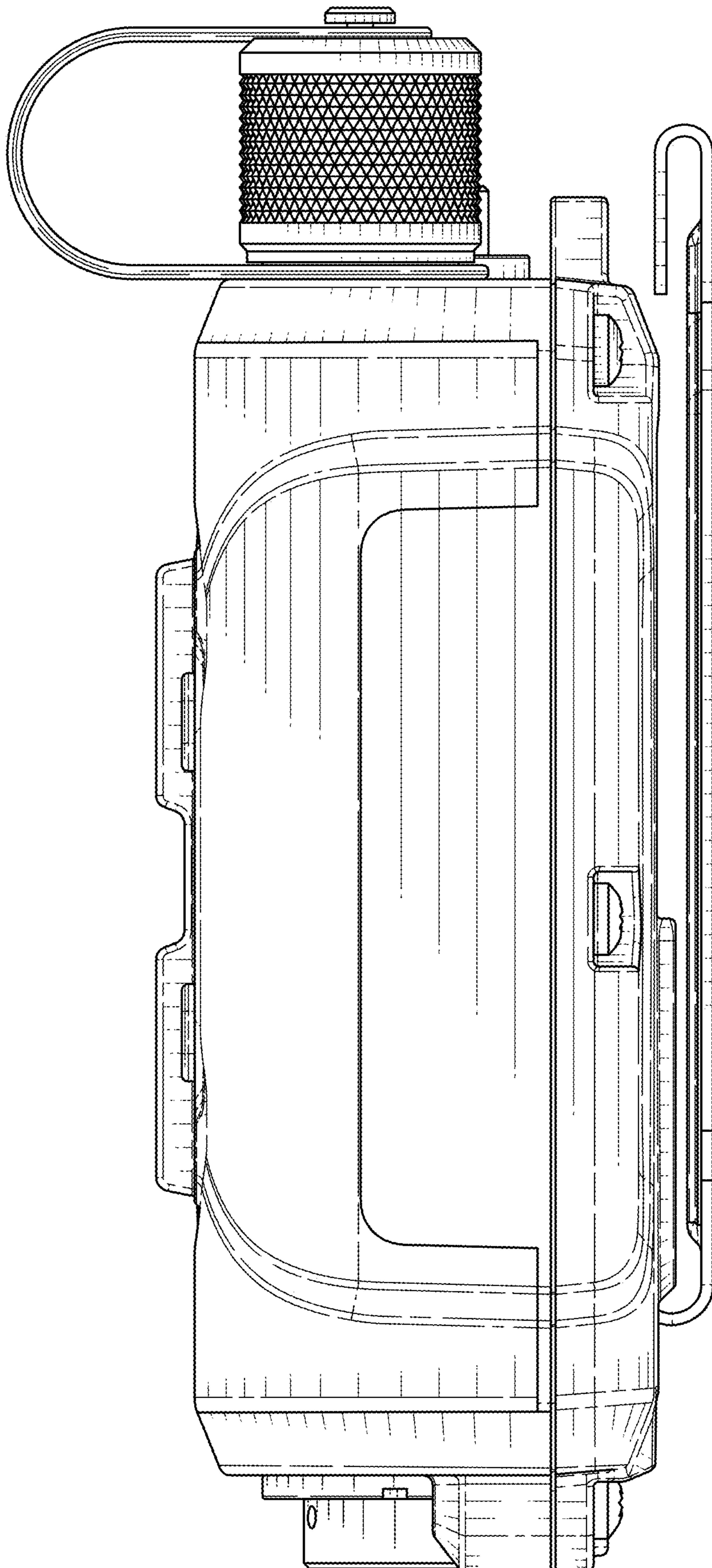


FIG. 4

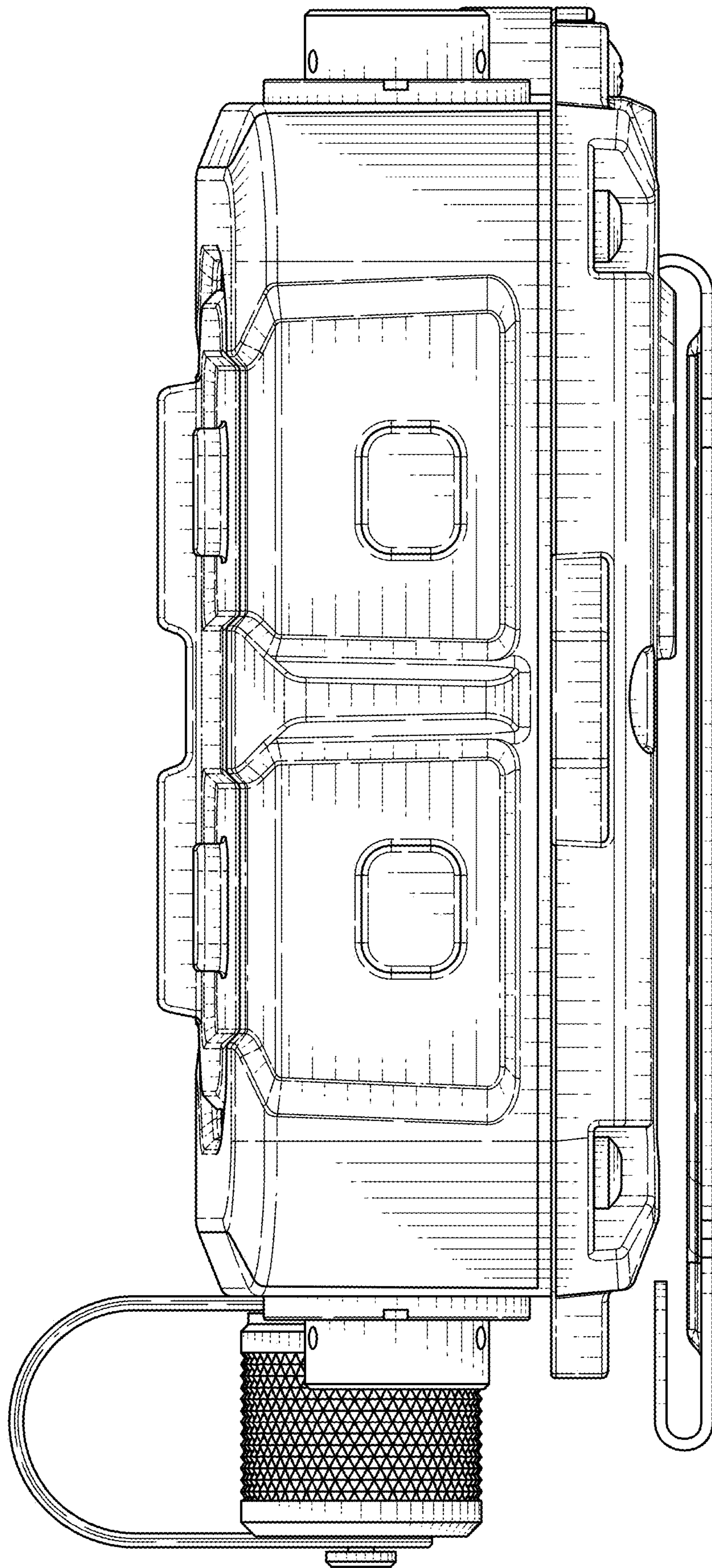


FIG. 5

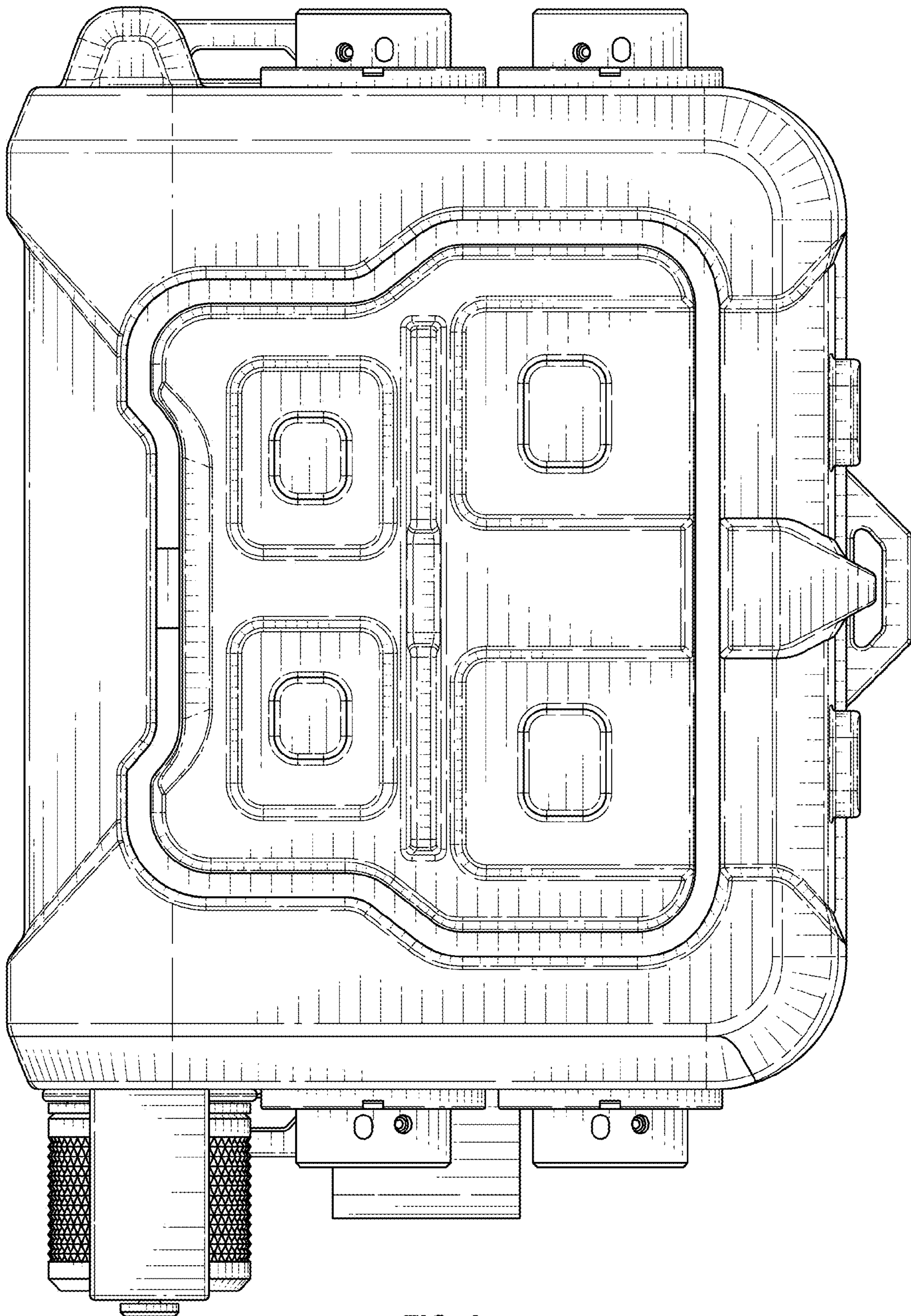


FIG. 6

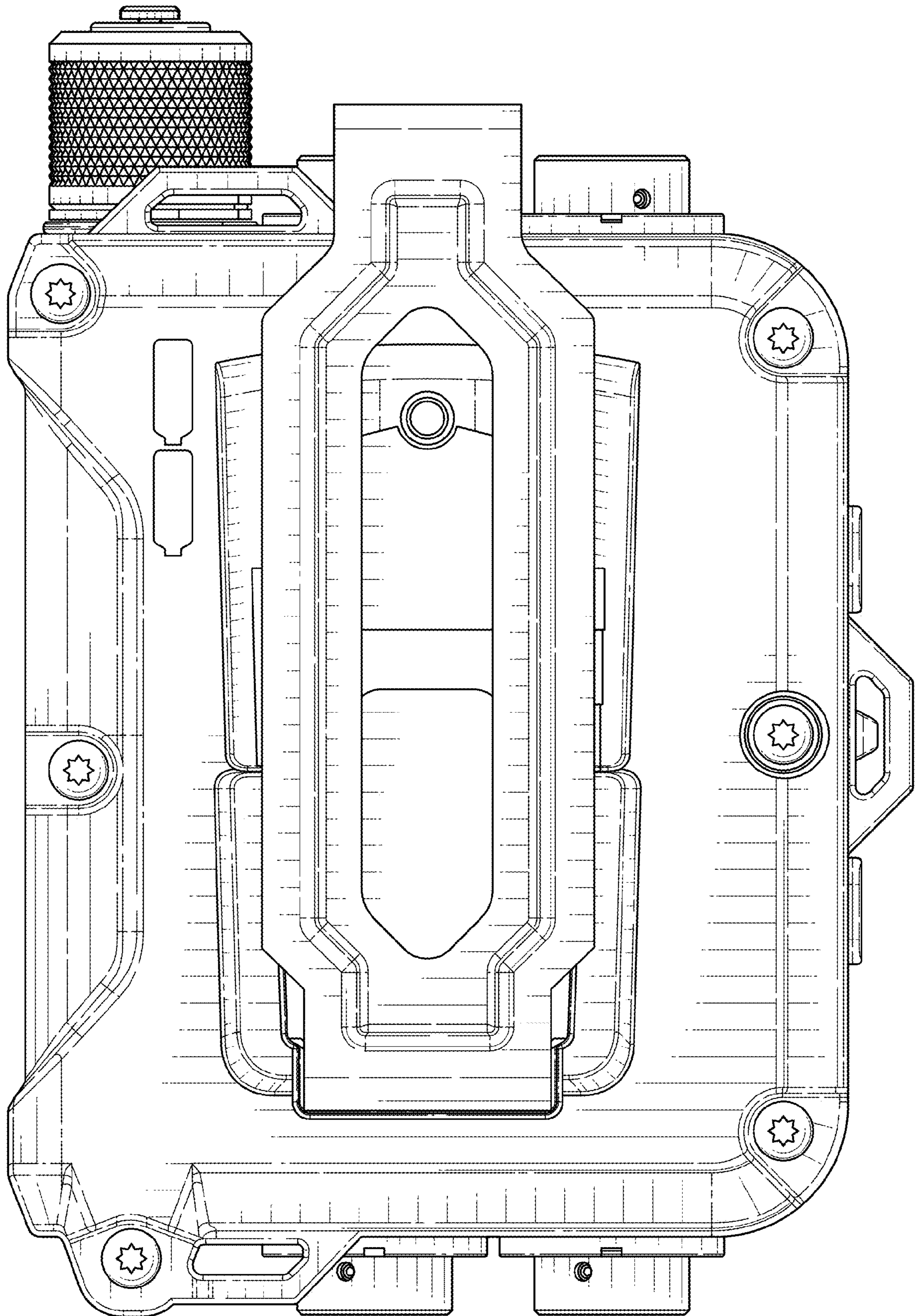


FIG. 7

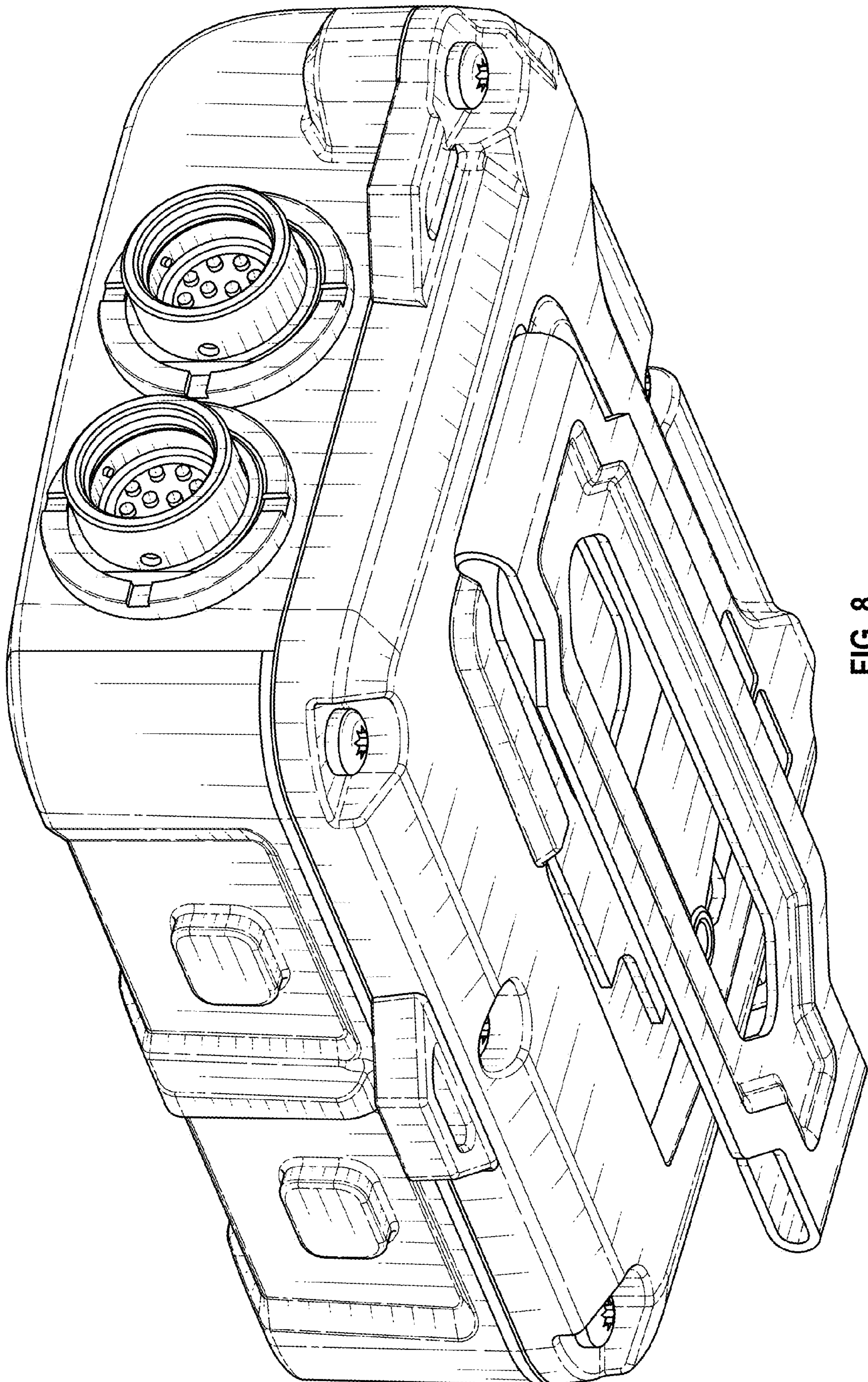


FIG. 8