



US00D925509S

(12) **United States Design Patent** (10) **Patent No.:** **US D925,509 S**
Jin (45) **Date of Patent:** **** Jul. 20, 2021**

(54) **DISPLAY MOUNT**

(71) Applicant: **SHENZHEN QIANHAI JERRY E-COMMERCE CO., LTD.**, Shenzhen (CN)

(72) Inventor: **Wenwu Jin**, Shenzhen (CN)

(73) Assignee: **SHENZHEN QIANHAI JERRY E-COMMERCE CO., LTD.**, Shenzhen (CN)

(**) Term: **15 Years**

(21) Appl. No.: **29/748,951**

(22) Filed: **Sep. 2, 2020**

(51) **LOC (13) Cl.** **14-03**

(52) **U.S. Cl.**
USPC **D14/239**

(58) **Field of Classification Search**
USPC D14/239, 371, 372, 373, 374, 447, 448, D14/449-452, 335-337, 125, 127, 128, D14/129, 375, 376, 377, 341, 126; D8/355, 363, 373; D6/672, 682
CPC F16M 11/2085; F16M 11/2092; F16M 11/2007; F16M 11/2014; F16M 11/2021; F16M 11/105; F16M 11/048; F16M 11/12; F16M 13/022; F16M 11/10
See application file for complete search history.

(56) **References Cited**

U.S. PATENT DOCUMENTS

D538,633 S * 3/2007 Ly Hau D8/363
D539,123 S * 3/2007 Ly Hau D8/363
D559,088 S * 1/2008 Ciungan D14/452
D565,399 S 4/2008 Grey
D576,633 S * 9/2008 Muday D14/452
D788,783 S 6/2017 Kulkarni et al.
D816,646 S * 5/2018 Pei D14/239
D841,631 S * 2/2019 Pei D14/239
D842,284 S * 3/2019 Pei D14/239

D852,805 S * 7/2019 Lyu D14/452
D877,746 S * 3/2020 Pei D14/452
D878,382 S * 3/2020 Pei D14/452
D912,027 S * 3/2021 Lyu D14/239
D918,217 S * 5/2021 Lyu D14/452
2008/0278652 A1* 11/2008 Chen F16M 11/2014 349/58

FOREIGN PATENT DOCUMENTS

CN 302043547 * 8/2012
CN 302641335 * 11/2013
(Continued)

OTHER PUBLICATIONS

Amazon. Link: https://www.amazon.com/PERLESMITH-Swivel-Extends-Bracket-400x400/dp/B01JROIMM2/ref=sr_1_3?dchild=1&keywords=B01JROIMM2&qid=1623070981&s=electronics&sr=1-3. Aug. 5, 2016. PERLESMITH TV Wall Mount B01JROIMM2. (Year: 2016).*

(Continued)

Primary Examiner — Lauren D McVey

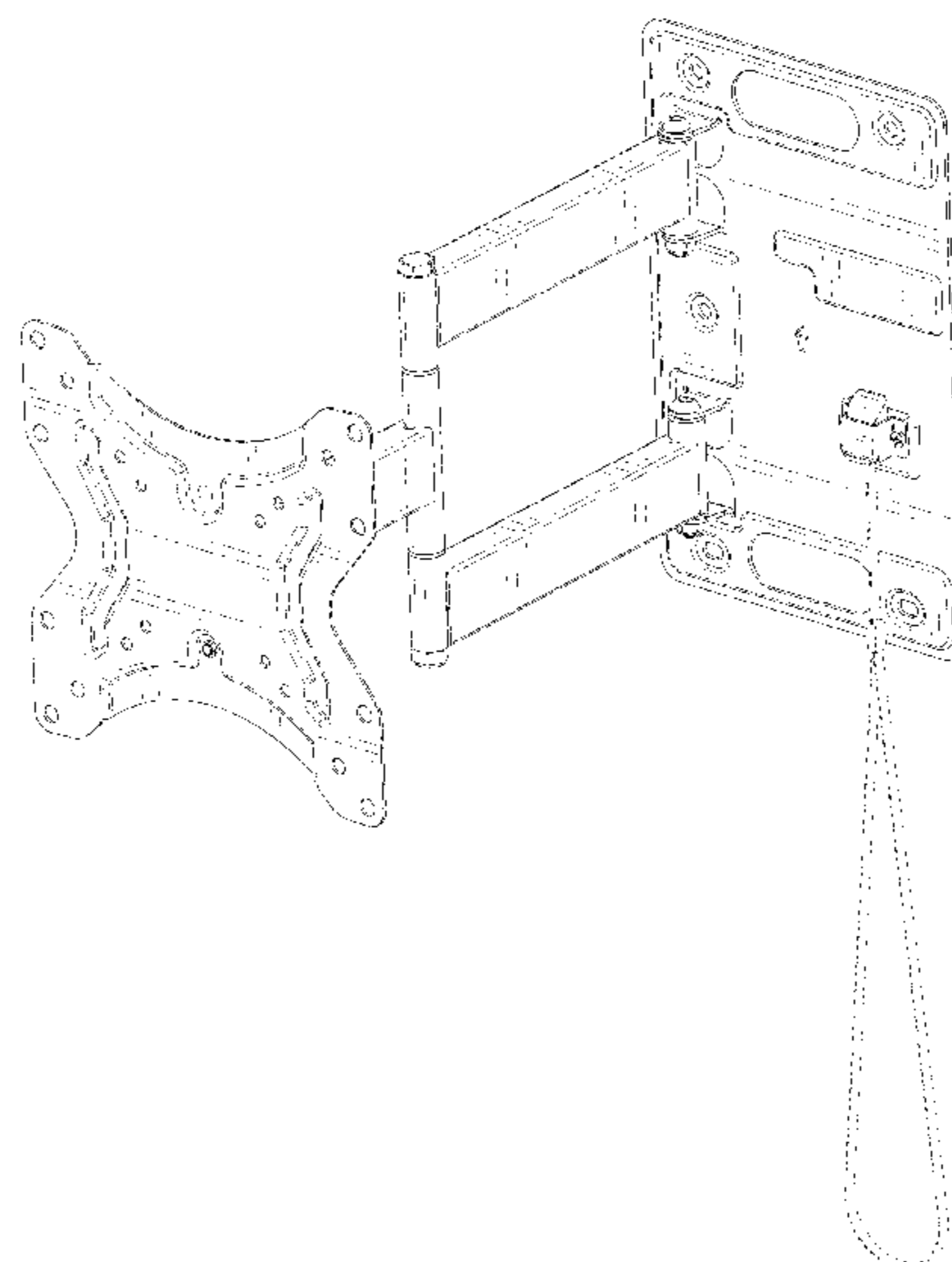
(57) **CLAIM**

The ornamental design for a display mount, as shown and described.

DESCRIPTION

FIG. 1 is a perspective view of a display mount showing my new design;
FIG. 2 is another perspective view thereof;
FIG. 3 is a front elevational view thereof
FIG. 4 is a rear elevational view thereof;
FIG. 5 is a left side elevational view thereof;
FIG. 6 is a right side elevational view thereof;
FIG. 7 is a top plan view thereof; and,
FIG. 8 is a bottom plan view thereof.
The broken lines in the drawings depict portions of the display mount that form no part of the claimed design.

1 Claim, 8 Drawing Sheets



(56)

References Cited

FOREIGN PATENT DOCUMENTS

CN 303042217 * 12/2014
EM 008455653-0001 * 3/2021

OTHER PUBLICATIONS

Amazon. Link: https://www.amazon.com/AM-alphamount-Articulating-Tilting-400X400mm/dp/B08C5FX1BB/ref=sr_1_1?dchild=1&keywords=B08C5FX1BB&qid=1623071471&s=electronics&sr=1-1. Jul. 1, 2020. AM alphamount TV Wall Mount Full Motion Articulating Tilting TV Mount Bracket. (Year: 2020).*

Amazon. Link: https://www.amazon.com/PERLESMITH-Swivel-Universal-Stand-Base/dp/B07VV3C19F/ref=sr_1_2?dchild=1&keywords=B07VV3C19F&qid=1623070355&s=electronics&sr=1-2. Jul. 30, 2019. PERLESMITH Swivel Universal TV Stand/Base. (Year: 2019).*

Flipkart. Link: <https://www.flipkart.com/retrack-full-motion-led-lcd-plasma-tv-wall-mount-23-43-movable-capacity-upto-30kg-full-motion/p/itmab0f2869218bd>. Oct. 2018. RETRACK Full-motion LED LCD Plasma TV Wall Mount. (Year: 2018).*

* cited by examiner

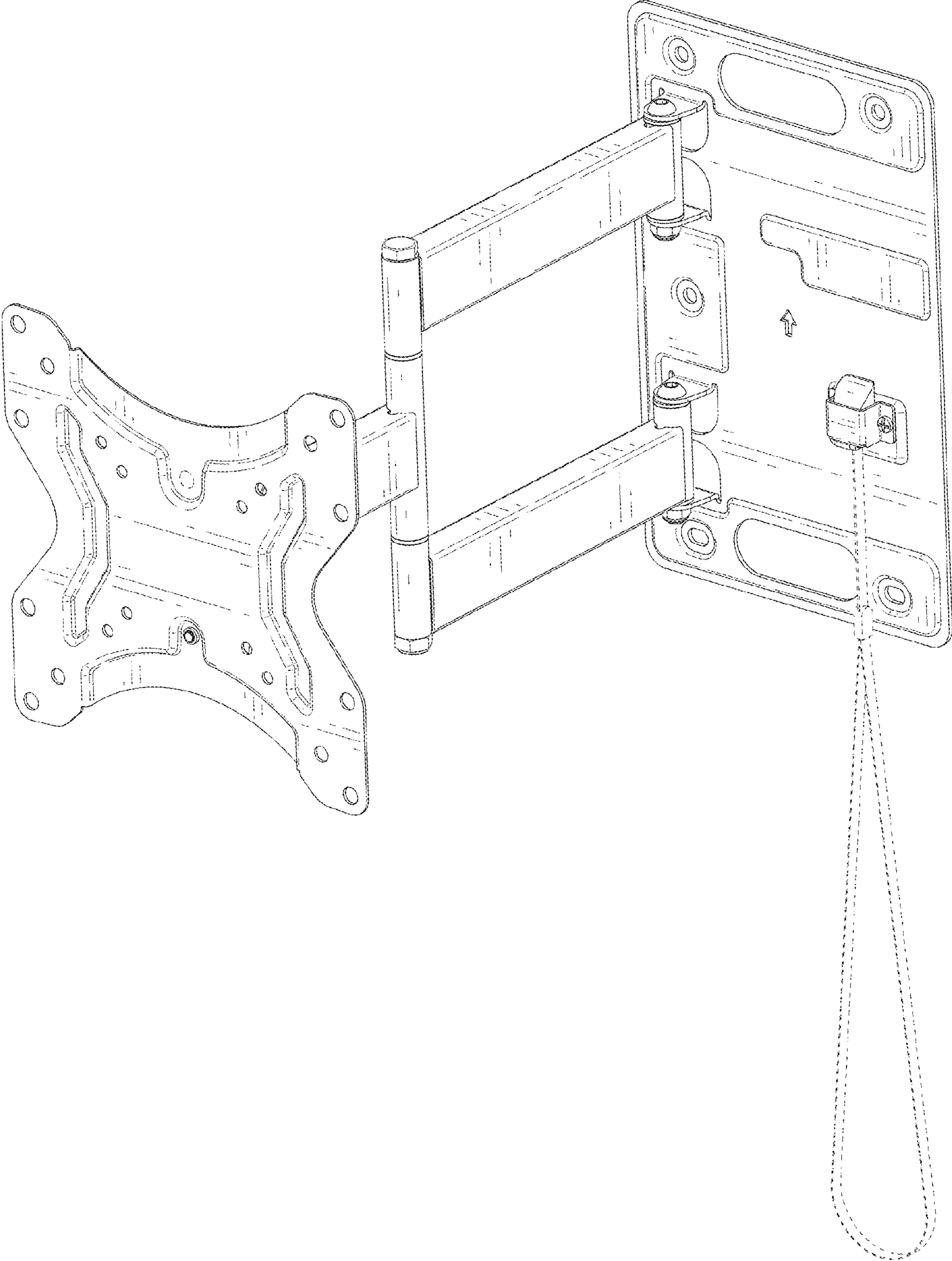


FIG. 1

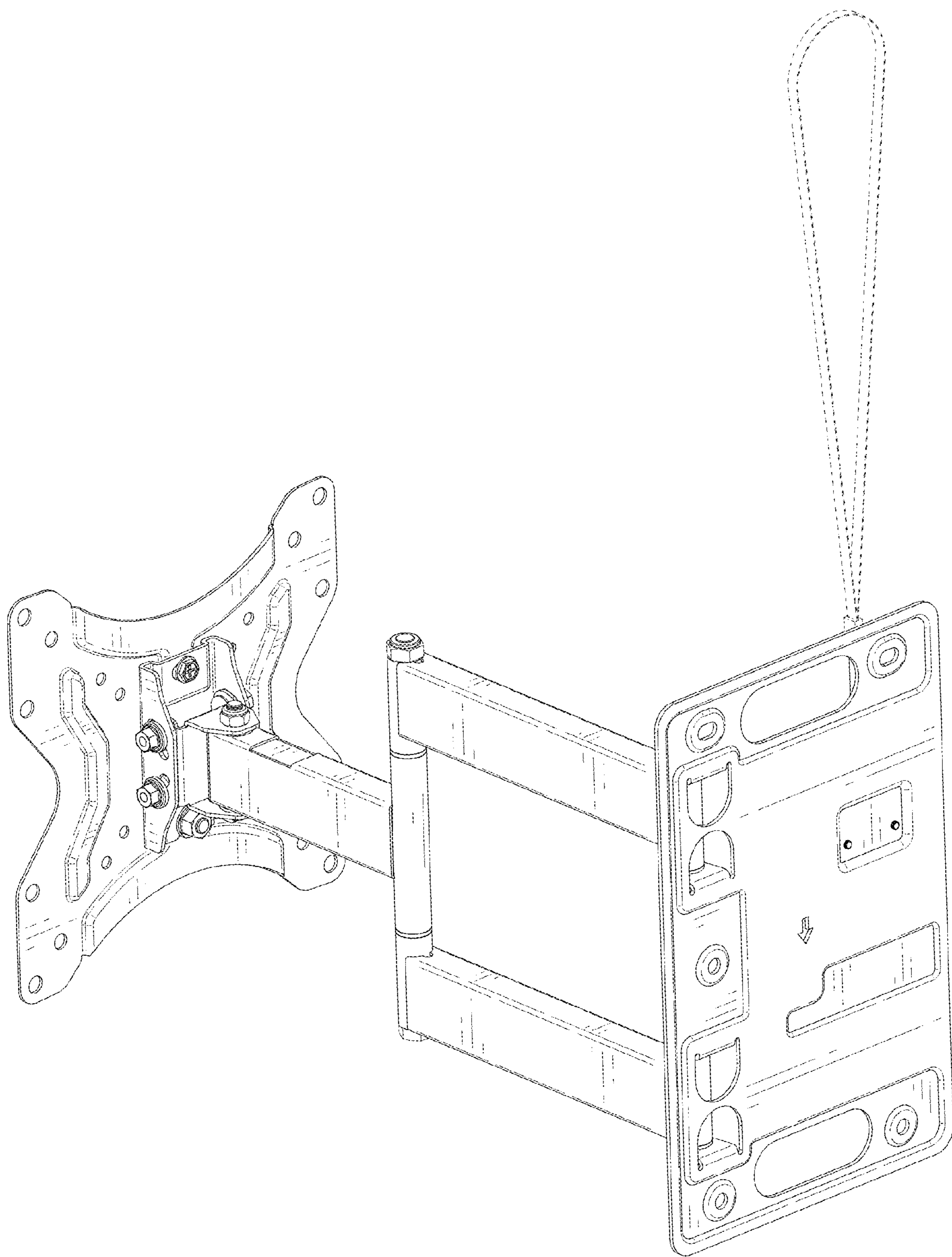


FIG. 2

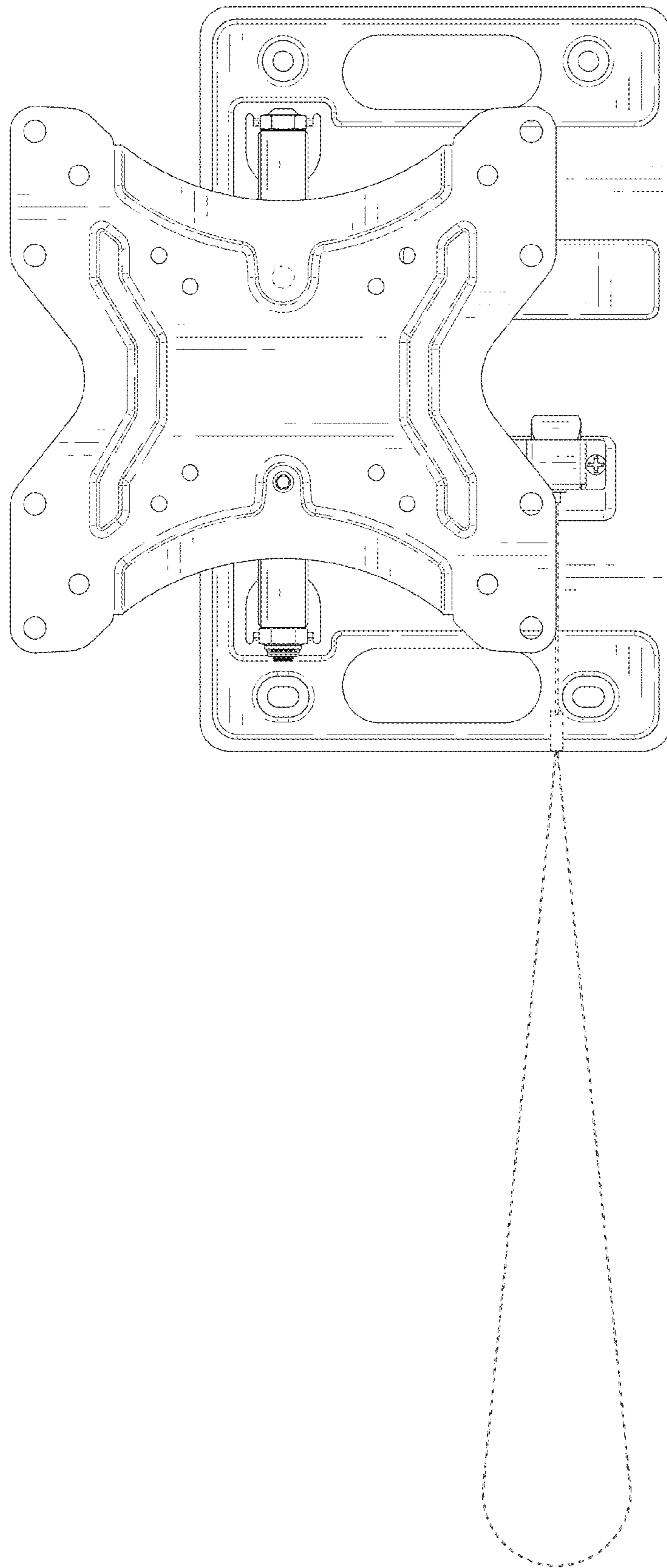


FIG. 3

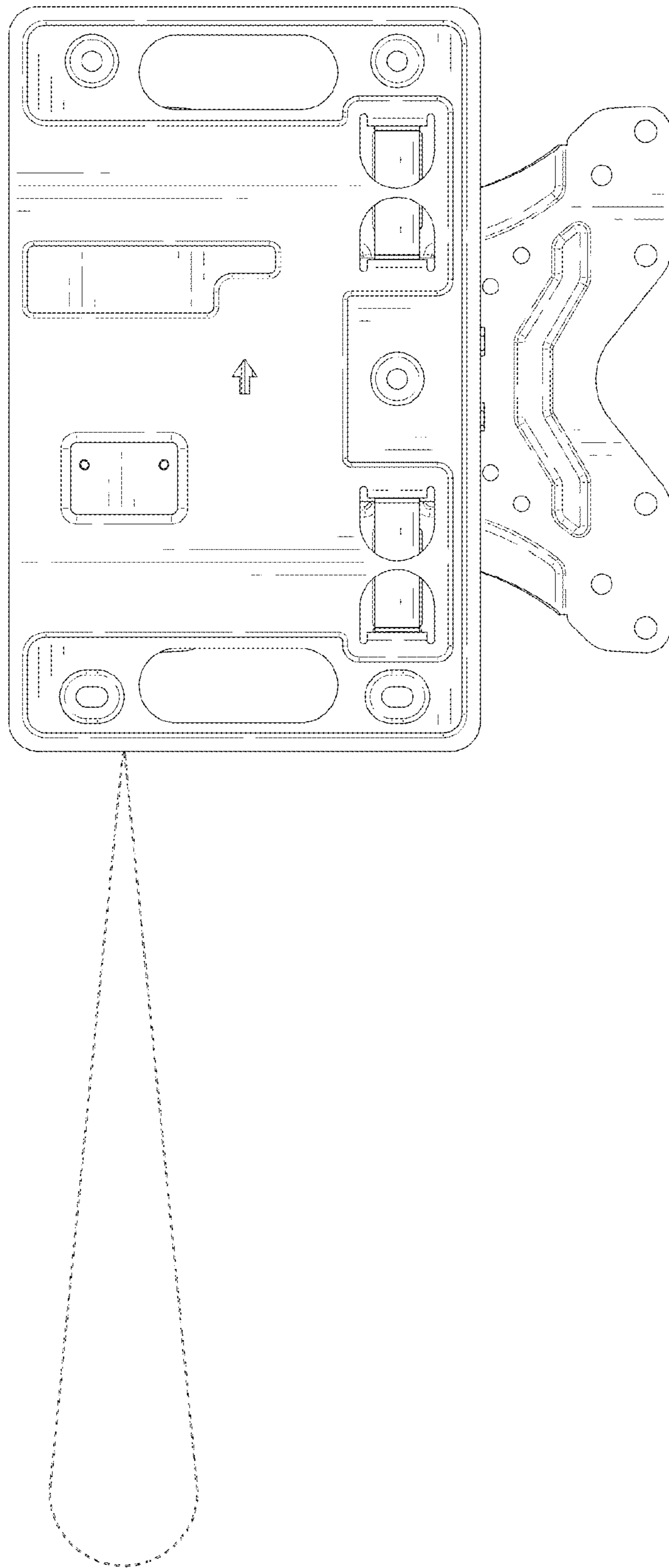


FIG. 4

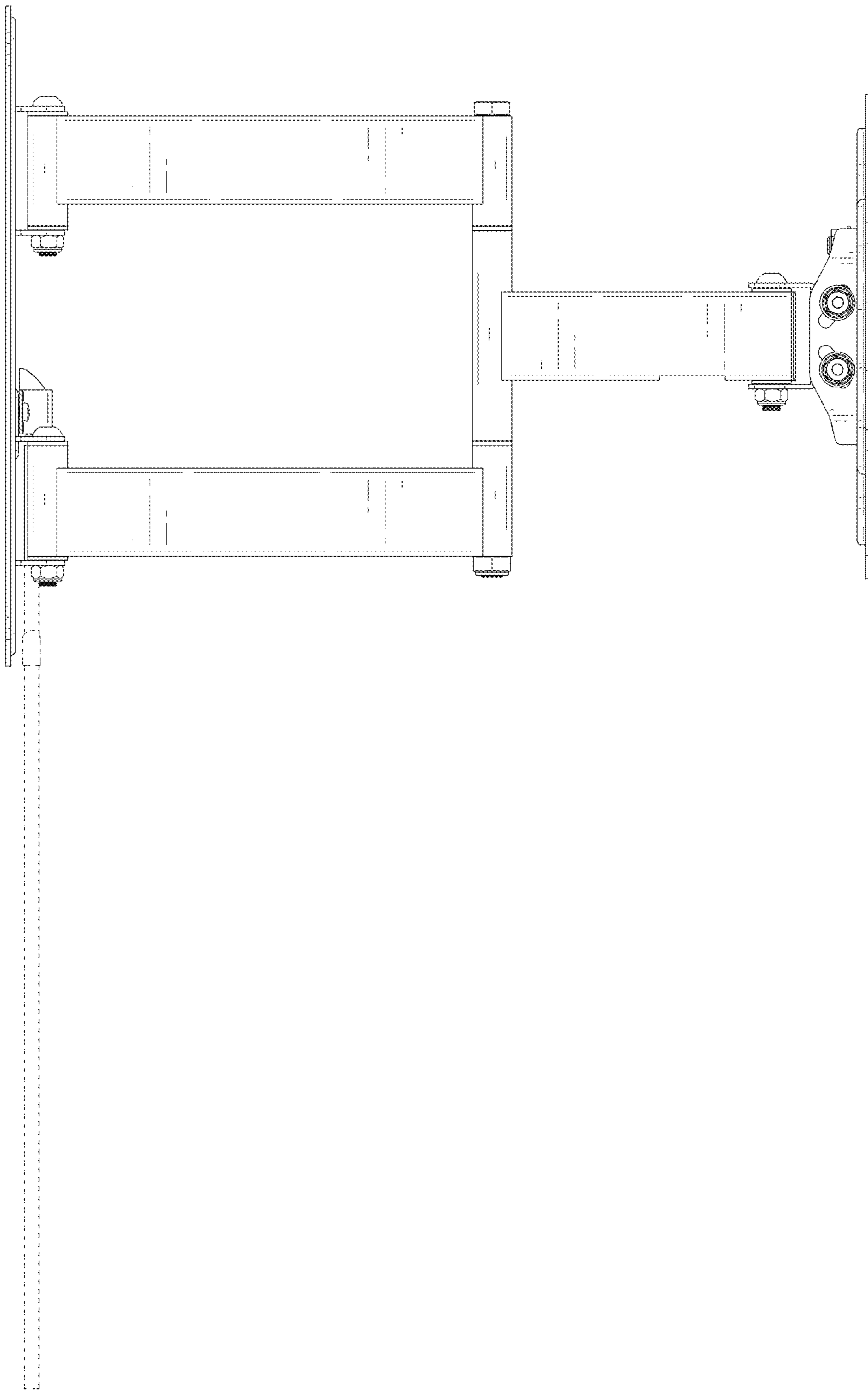


FIG. 5

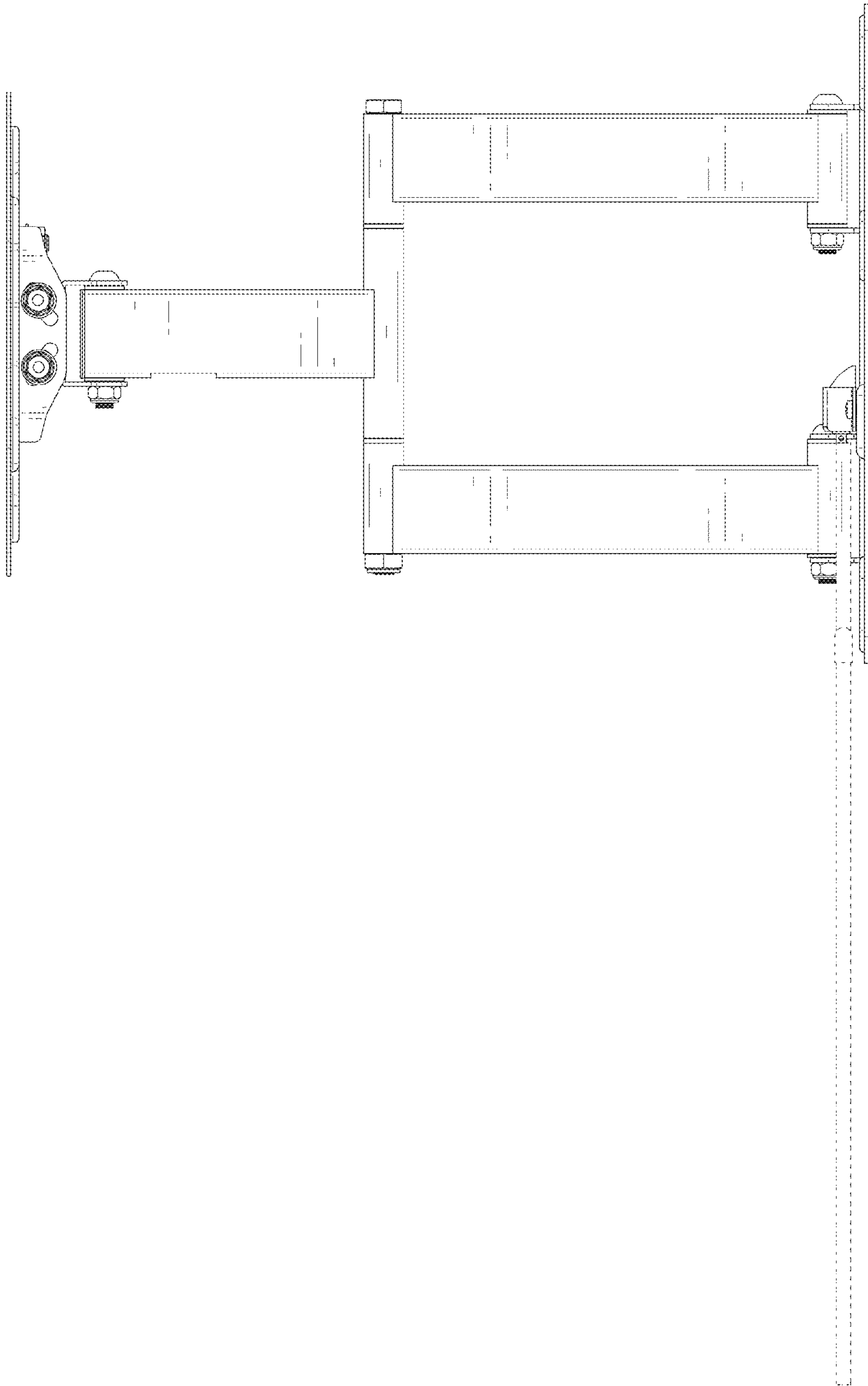


FIG. 6

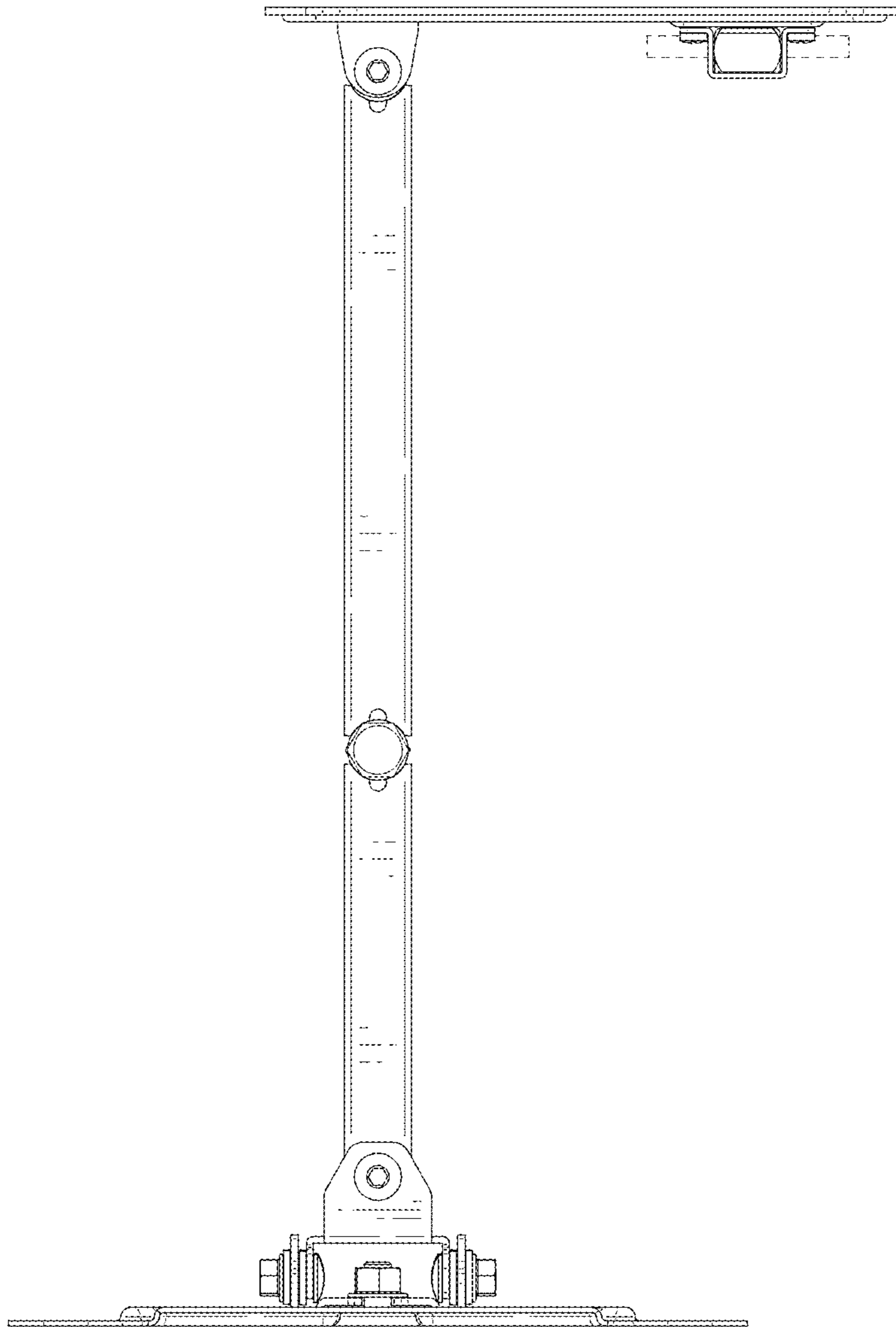


FIG. 7

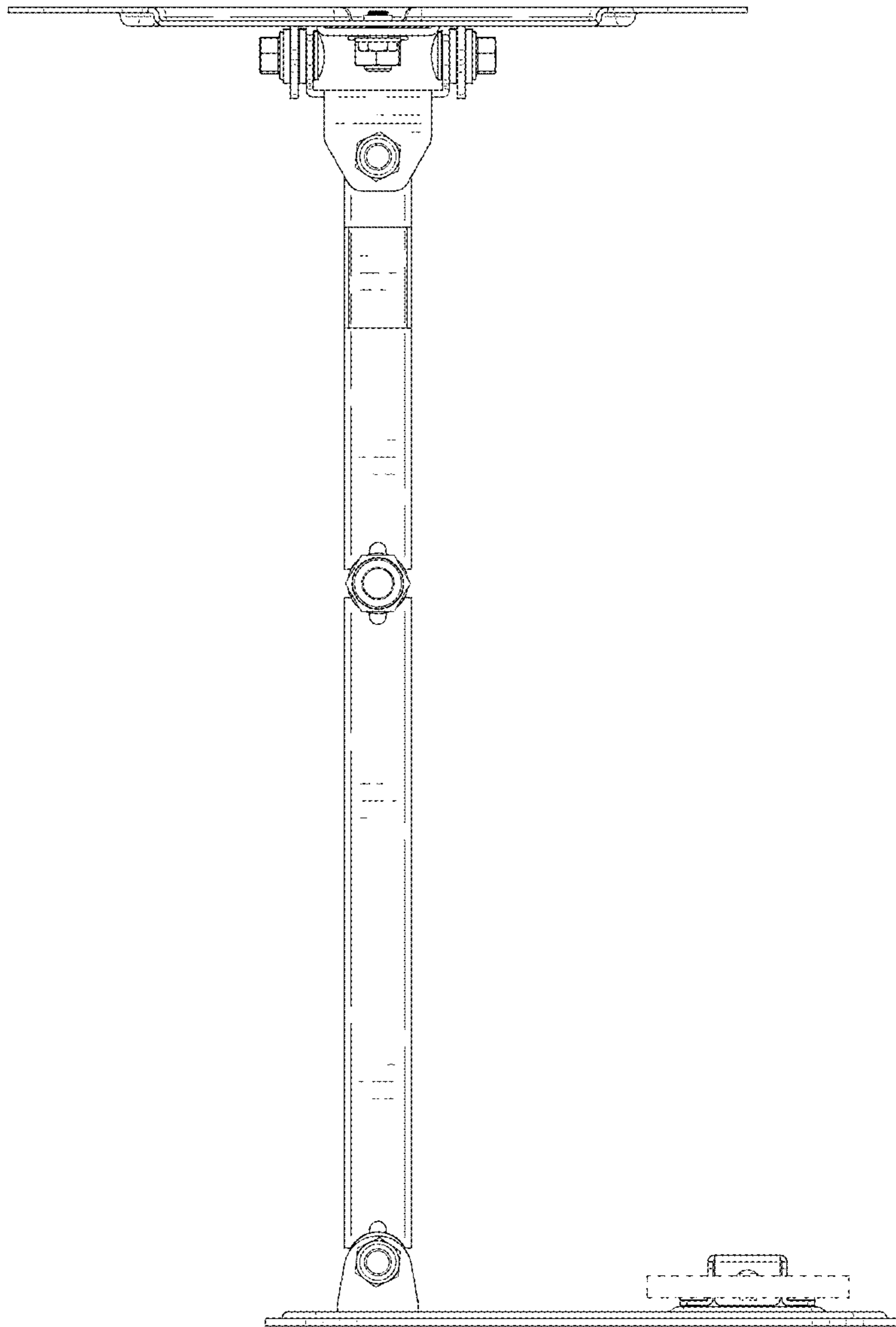


FIG. 8