

US00D925504S

(12) **United States Design Patent**
Wang

(10) **Patent No.:** **US D925,504 S**
(45) **Date of Patent:** **** Jul. 20, 2021**

- (54) **MICROPHONE**
- (71) Applicant: **Shenzhen Jiemeisi Industrial Co., Ltd.**, Shenzhen (CN)
- (72) Inventor: **Liming Wang**, Shenzhen (CN)
- (73) Assignee: **SHENZHEN JIEMEISI INDUSTRIAL CO., LTD.**, Shenzhen (CN)
- (**) Term: **15 Years**
- (21) Appl. No.: **29/719,796**
- (22) Filed: **Jan. 8, 2020**
- (51) **LOC (13) Cl.** **14-01**
- (52) **U.S. Cl.**
USPC **D14/225; D14/228**
- (58) **Field of Classification Search**
USPC D14/225, 226, 228, 124, 138, 150, 155, D14/154, 159, 240, 188, 192, 191, 496; D13/168, 184, 103; D3/215, 218; D9/529, 549, 663; D10/106.1; 224/242, 224/269, 669, 247; 181/158; 206/269; D28/82, 85, 87, 91.1; D27/159; 431/130, 136; 455/351
CPC H04R 1/02; H04R 25/00; H04M 11/00; H04M 1/00; A45F 5/00; A45F 5/02
See application file for complete search history.

- 3,070,748 A * 12/1962 Worobey H04B 1/086 455/343.1
 - 3,631,994 A * 1/1972 Mackzum, Jr. A45F 5/02 224/669
 - D223,835 S * 6/1972 Schmidt D14/191
 - 3,693,089 A * 9/1972 Hutchinson G08B 3/1058 455/351
 - D229,567 S * 12/1973 Goldman et al. D10/116.1
 - 3,956,701 A * 5/1976 James, Jr. G08B 3/1058 343/702
 - 4,083,481 A * 4/1978 Selinko A45F 5/02 224/269
 - D255,446 S * 6/1980 Iwata D14/192
 - D262,965 S * 2/1982 Iwata D14/192
 - D264,080 S * 4/1982 Iwata D14/191
- (Continued)

FOREIGN PATENT DOCUMENTS

- CN 306432027 * 4/2021
 - EM 007488747-0001 * 1/2020
- (Continued)

Primary Examiner — Paula Allen Greene

(57) **CLAIM**

The ornamental design for a microphone, as shown and described.

DESCRIPTION

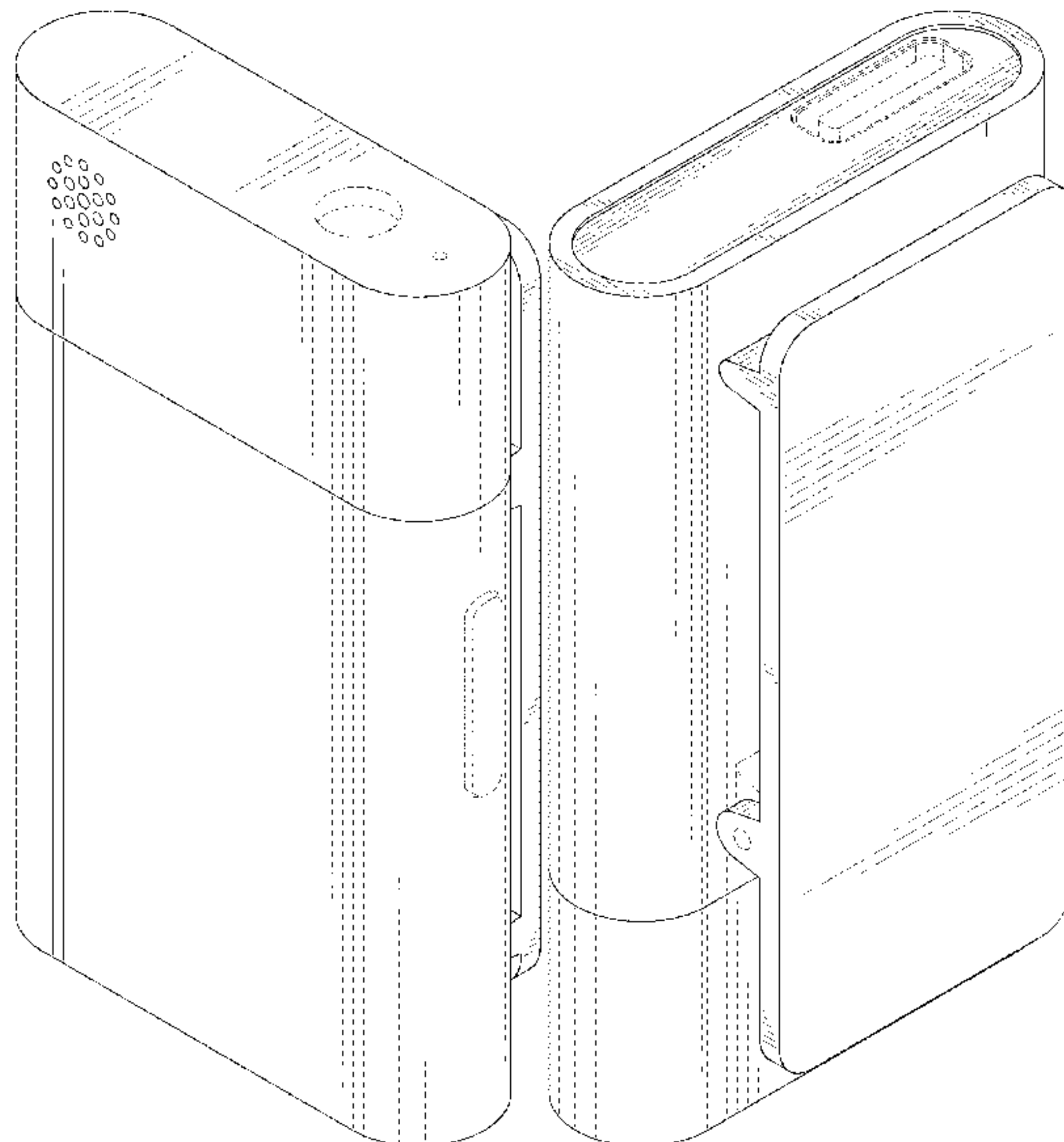
FIG. 1 is a perspective view of a microphone showing my new design;
 FIG. 2 is another perspective view thereof;
 FIG. 3 is a front elevational view thereof;
 FIG. 4 is a rear elevational view thereof;
 FIG. 5 is a left side elevational view thereof;
 FIG. 6 is a right side elevational view thereof;
 FIG. 7 is a top plan view thereof; and,
 FIG. 8 is a bottom plan view thereof.
 The broken lines in the drawings are for the purpose of illustrating portions of the microphone that form no part of the claimed design.

1 Claim, 8 Drawing Sheets

(56) **References Cited**

U.S. PATENT DOCUMENTS

- 2,521,423 A * 9/1950 Stuck H04B 1/088 455/170.1
- D167,828 S * 9/1952 Florac D14/194
- 2,710,345 A * 6/1955 Stephens H04B 1/0343 455/100
- 2,883,523 A * 4/1959 Meserow H04B 5/00 342/361



(56)

References Cited

U.S. PATENT DOCUMENTS

4,404,549 A * 9/1983 Berg G08B 15/004
340/321
D277,753 S * 2/1985 Eckmann D14/191
4,536,925 A * 8/1985 Boothe A45F 5/02
16/222
D281,975 S * 12/1985 Oyamada D14/191
D297,431 S * 8/1988 Beard D14/431
D297,518 S * 9/1988 Yuen D10/106.1
4,828,153 A * 5/1989 Guzik A45F 5/02
224/242
D304,191 S * 10/1989 Sekine D14/192
D306,519 S * 3/1990 Nakata D3/206
5,089,808 A * 2/1992 Amirdash G08B 21/02
340/573.7
D340,575 S * 10/1993 Suwa D19/90
5,448,647 A * 9/1995 Koizumi H04N 5/642
348/E5.13
5,568,006 A * 10/1996 Luff H03H 9/1021
310/340
5,598,926 A * 2/1997 Vogt A44C 1/00
206/37
D379,809 S * 6/1997 Lindeman D14/137
5,664,292 A * 9/1997 Chen A45F 5/02
24/3.11
D394,261 S * 5/1998 Chan D14/154
D396,860 S * 8/1998 Yasutomi D10/119.2
D409,374 S * 5/1999 Laba D3/215
5,950,897 A * 9/1999 Kao A45F 5/021
224/666
5,974,304 A * 10/1999 Chen H04B 1/086
455/351
D429,371 S * 8/2000 Matoba D27/141
D446,499 S * 8/2001 Andre D13/110
D454,110 S * 3/2002 Andre D13/110
D496,030 S * 9/2004 Harbeke D14/225
7,013,164 B2 * 3/2006 Lin H04B 1/207
455/42
D539,814 S * 4/2007 Andre D14/203.3
D541,784 S * 5/2007 Cho D14/138 AD
D554,616 S * 11/2007 Pierce D14/191

D558,742 S * 1/2008 Koller D14/225
D568,877 S * 5/2008 Bodley D14/225
D579,887 S * 11/2008 Yamane D14/127
D580,854 S * 11/2008 Kim D13/108
D581,943 S * 12/2008 Pedersen D14/150
D583,806 S * 12/2008 Okazaki D14/225
D586,740 S * 2/2009 Song D13/103
D586,741 S * 2/2009 Song D13/103
D590,826 S * 4/2009 Andre D14/341
D592,677 S * 5/2009 Sheba D14/434
D594,002 S * 6/2009 Kettula D14/240
D601,490 S * 10/2009 Zhu D13/102
D604,723 S * 11/2009 Bodley D14/225
D615,556 S * 5/2010 Yeo D14/496
D616,899 S * 6/2010 Andre D14/496
D618,207 S * 6/2010 Andre D14/203.7
D618,676 S * 6/2010 Hui D14/300
D622,213 S * 8/2010 Nomi D13/103
D626,552 S * 11/2010 Andre D14/341
D626,770 S * 11/2010 Sloas D6/515
D649,139 S * 11/2011 Waay D14/225
D671,020 S * 11/2012 Collins D10/70
D719,976 S * 12/2014 Bang D14/496
D750,563 S * 3/2016 Hedderich D13/137.1
D786,106 S * 5/2017 Yau D10/70
D792,409 S * 7/2017 Shim D14/435
D815,070 S * 4/2018 Elmieh D14/225
D835,591 S * 12/2018 Shim D13/184
D848,984 S * 5/2019 Ohashi D14/225
D875,036 S * 2/2020 Gan D13/103
D894,161 S * 8/2020 Ye D14/225
D900,795 S * 11/2020 Laffon de Mazieres D14/240
D917,431 S * 4/2021 Gao D14/225
2011/0254509 A1 * 10/2011 Boczer H01M 4/0411
320/127
2013/0230752 A1 * 9/2013 Fujihara H01M 50/342
429/82

FOREIGN PATENT DOCUMENTS

EM 007488762-0001 * 1/2020
JP D168290 * 11/2020

* cited by examiner

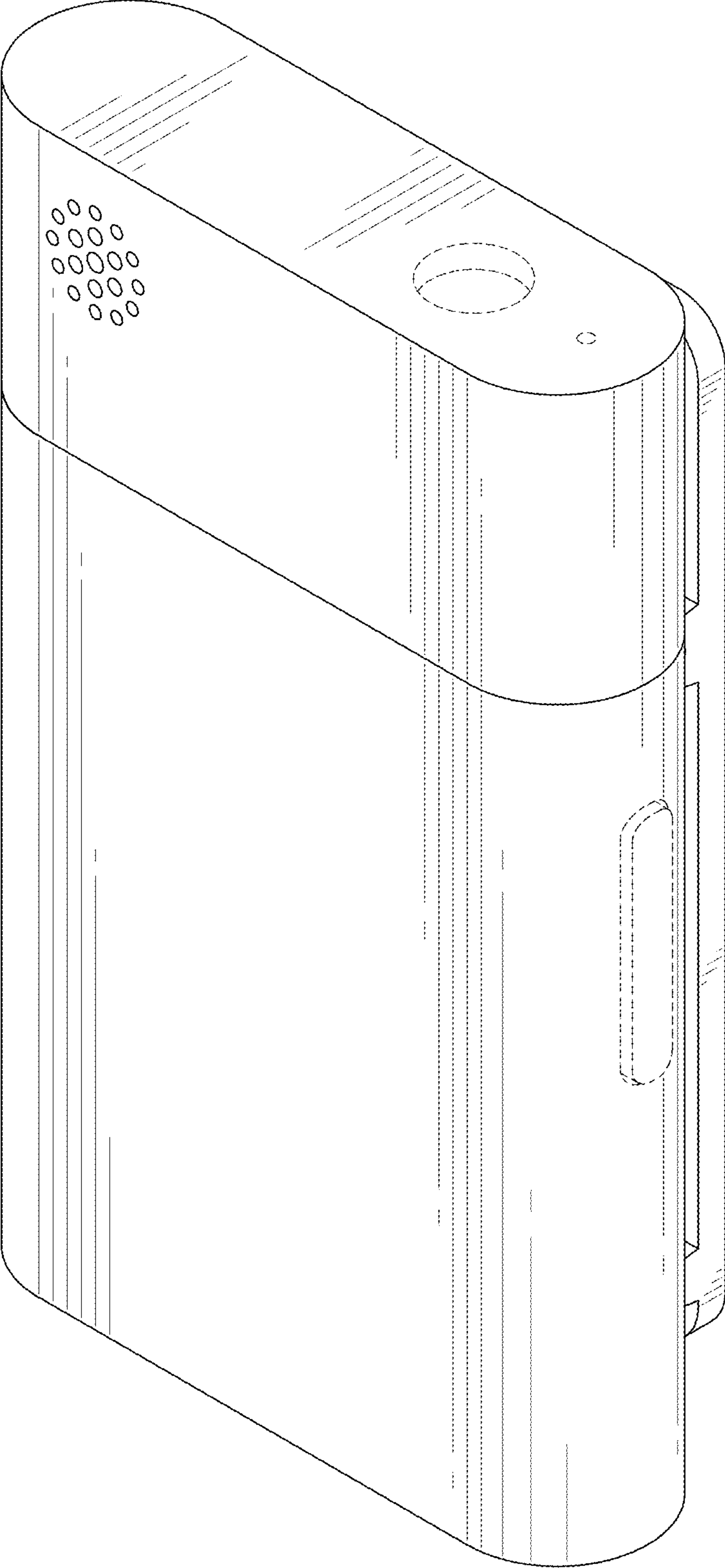


FIG. 1

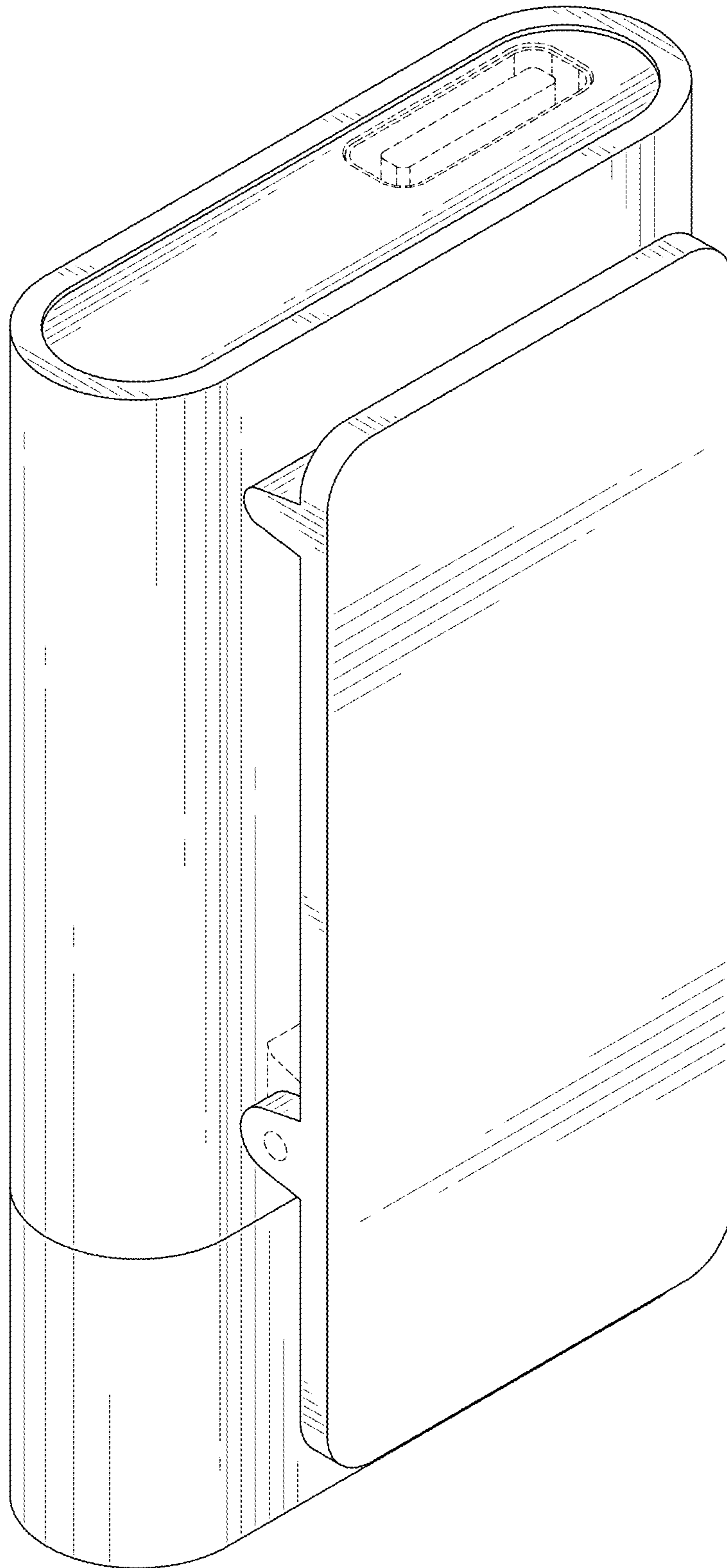


FIG. 2

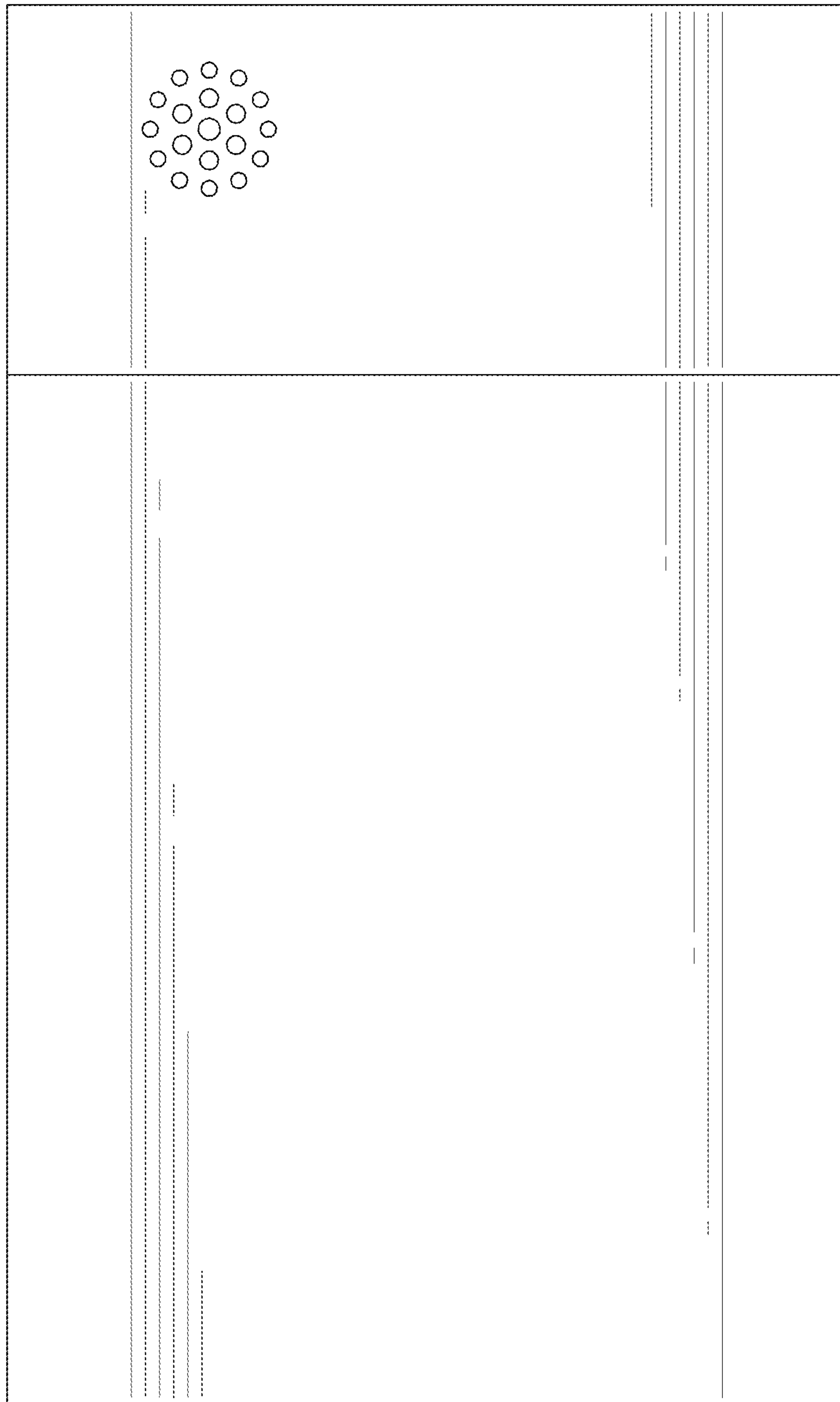


FIG. 3

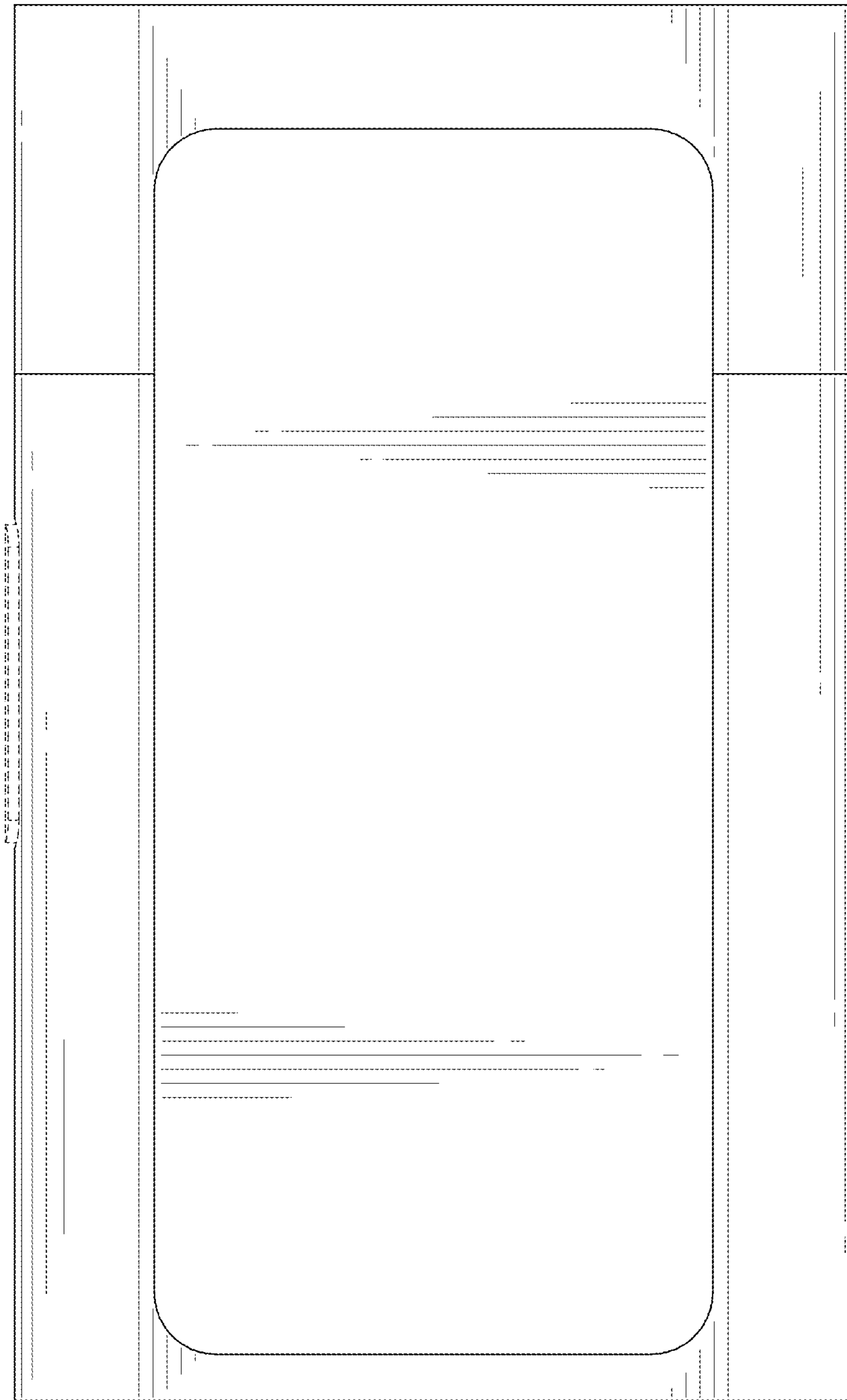


FIG. 4

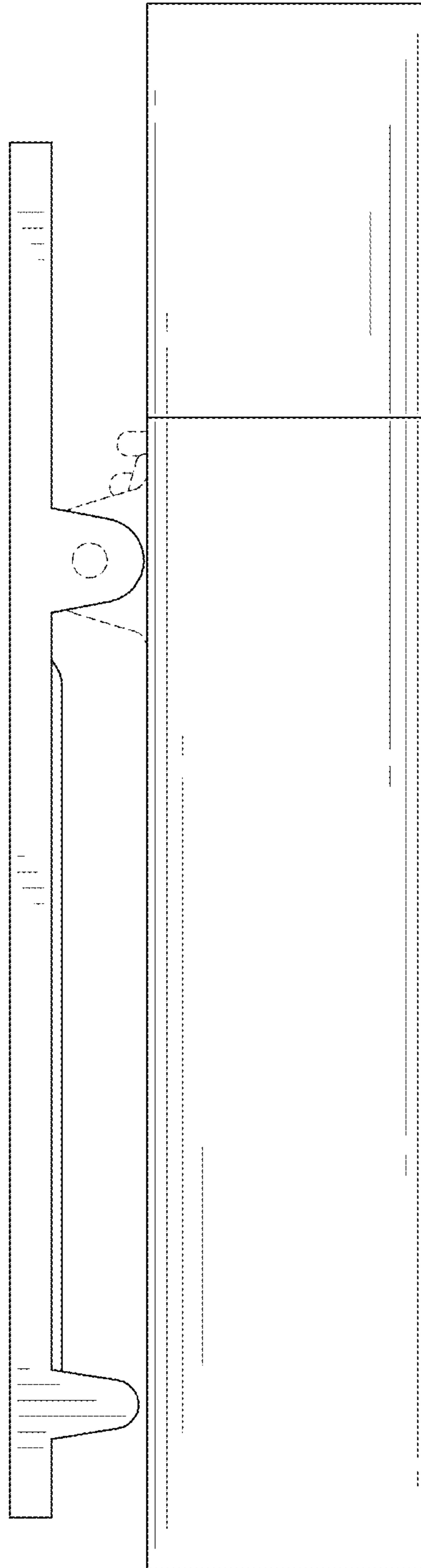


FIG. 5

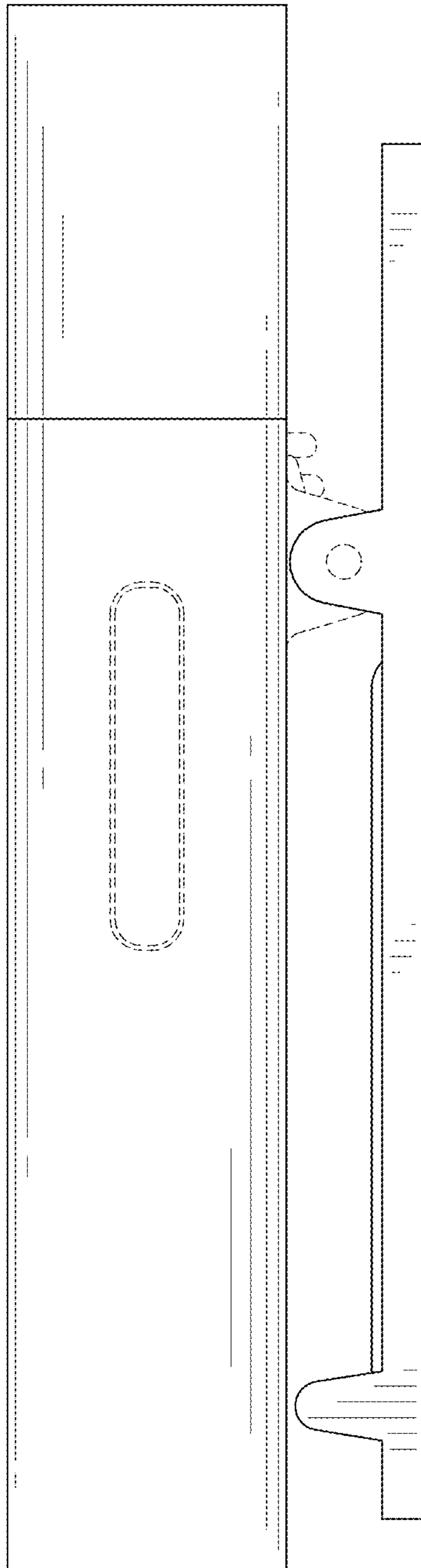


FIG. 6

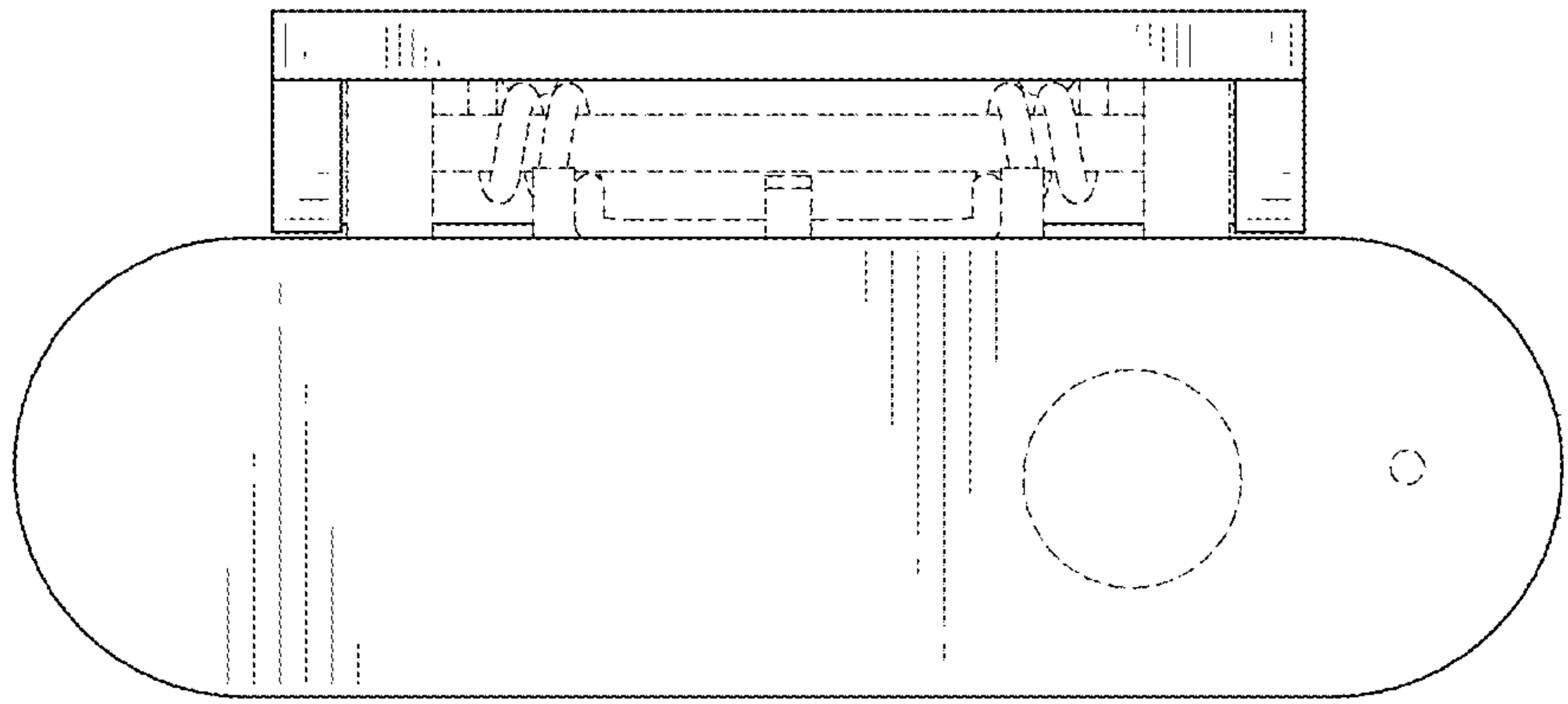


FIG. 7

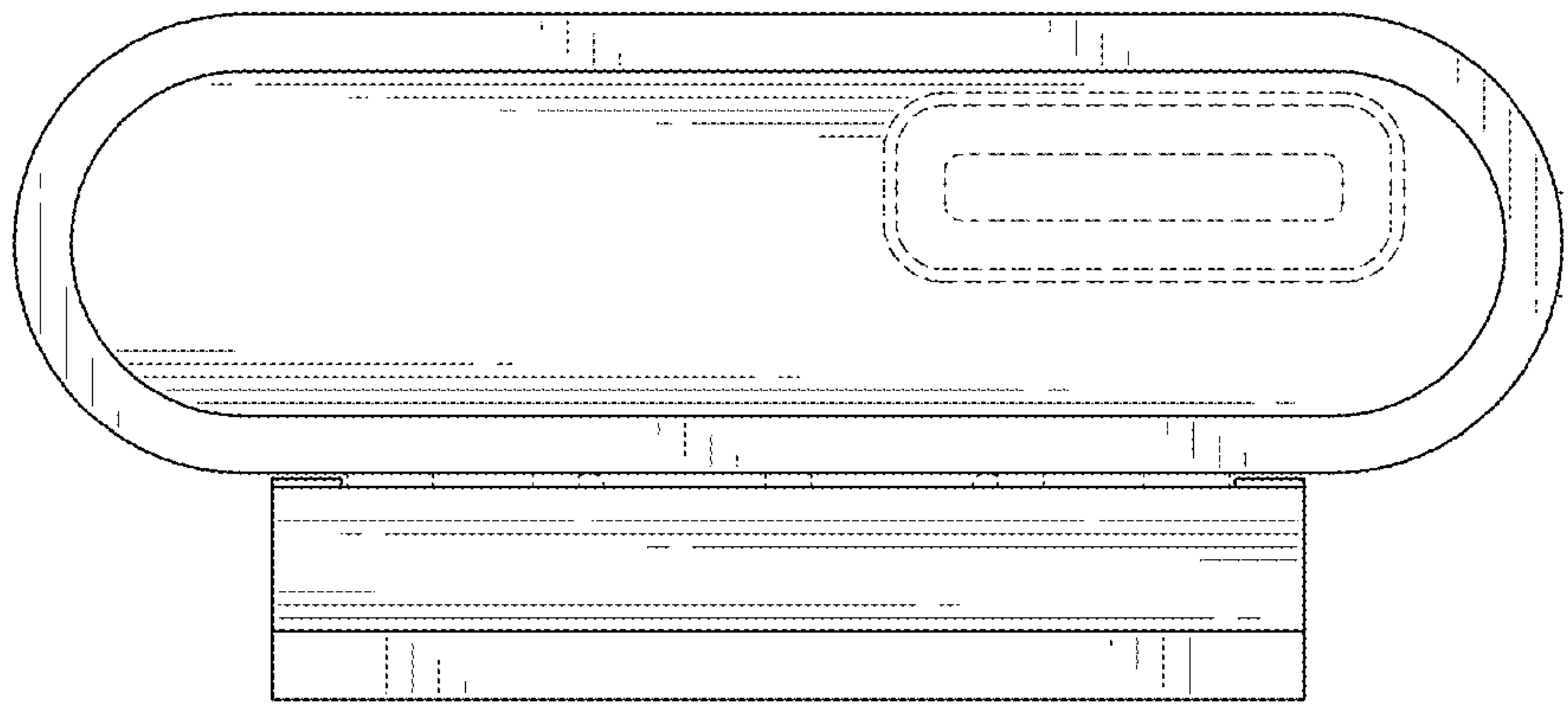


FIG. 8