



US00D925502S

(12) **United States Design Patent** (10) **Patent No.:** **US D925,502 S**  
**Jia** (45) **Date of Patent:** **\*\* Jul. 20, 2021**

- (54) **WIRELESS MICROPHONE**
- (71) Applicant: **Shenzhen Jiayz Photo Industrial, Ltd.**, Shenzhen (CN)
- (72) Inventor: **Yingzhi Jia**, Shenzhen (CN)
- (73) Assignee: **SHENZHEN JIAYZ PHOTO INDUSTRIAL., LTD.**, Shenzhen (CN)
- (\*\*) Term: **15 Years**
- (21) Appl. No.: **29/718,365**
- (22) Filed: **Dec. 23, 2019**
- (51) **LOC (13) Cl.** ..... **14-01**
- (52) **U.S. Cl.**  
USPC ..... **D14/225; D14/217**
- (58) **Field of Classification Search**  
USPC ... D14/225, 226, 217, 224, 224.1, 433, 434, D14/250, 251, 142, 148, 240, 242, 203.8, D14/447, 435.1, 480.4, 358, 496; D13/108, 110; D3/218; D21/333; D6/601, 596; 320/113  
CPC ..... H04R 19/04; H01R 25/00; H01R 13/60; H01R 24/64; H01R 24/62; H01R 12/714; H01R 13/506; G06F 1/16  
See application file for complete search history.

(56) **References Cited**

U.S. PATENT DOCUMENTS

D332,328 S *	1/1993	Lombardi, Jr.	.....	D28/83
D411,166 S *	6/1999	Uemura	.....	D13/107
D419,136 S *	1/2000	Tomizawa	.....	D13/147
D454,130 S *	3/2002	Do	.....	D14/435.1
D455,418 S *	4/2002	Schmidt	.....	D14/224
D459,299 S *	6/2002	Hughes	.....	D13/108
D474,737 S *	5/2003	Yoshida	.....	D13/108
D477,823 S *	7/2003	Lavello, Sr.	.....	D14/149
D495,336 S *	8/2004	Andre	.....	D14/434
D508,458 S *	8/2005	Solland	.....	D13/108

D518,033 S *	3/2006	Lee	.....	D14/224
D518,774 S *	4/2006	Christianson	.....	D13/133
D518,775 S *	4/2006	Christianson	.....	D13/133
D518,776 S *	4/2006	Christianson	.....	D13/133
D518,777 S *	4/2006	Christianson	.....	D13/133
D519,491 S *	4/2006	Allen	.....	D14/212
D524,807 S *	7/2006	Topinka	.....	D14/253
D525,616 S *	7/2006	Andre	.....	D13/108
D532,005 S *	11/2006	Leith	.....	D14/253
D535,972 S *	1/2007	Griffin	.....	D14/155
D536,695 S *	2/2007	Griffin	.....	D14/230
D540,816 S *	4/2007	Kim	.....	D14/224

(Continued)

Primary Examiner — Paula Allen Greene  
(74) Attorney, Agent, or Firm — Cantor Colburn LLP

(57) **CLAIM**

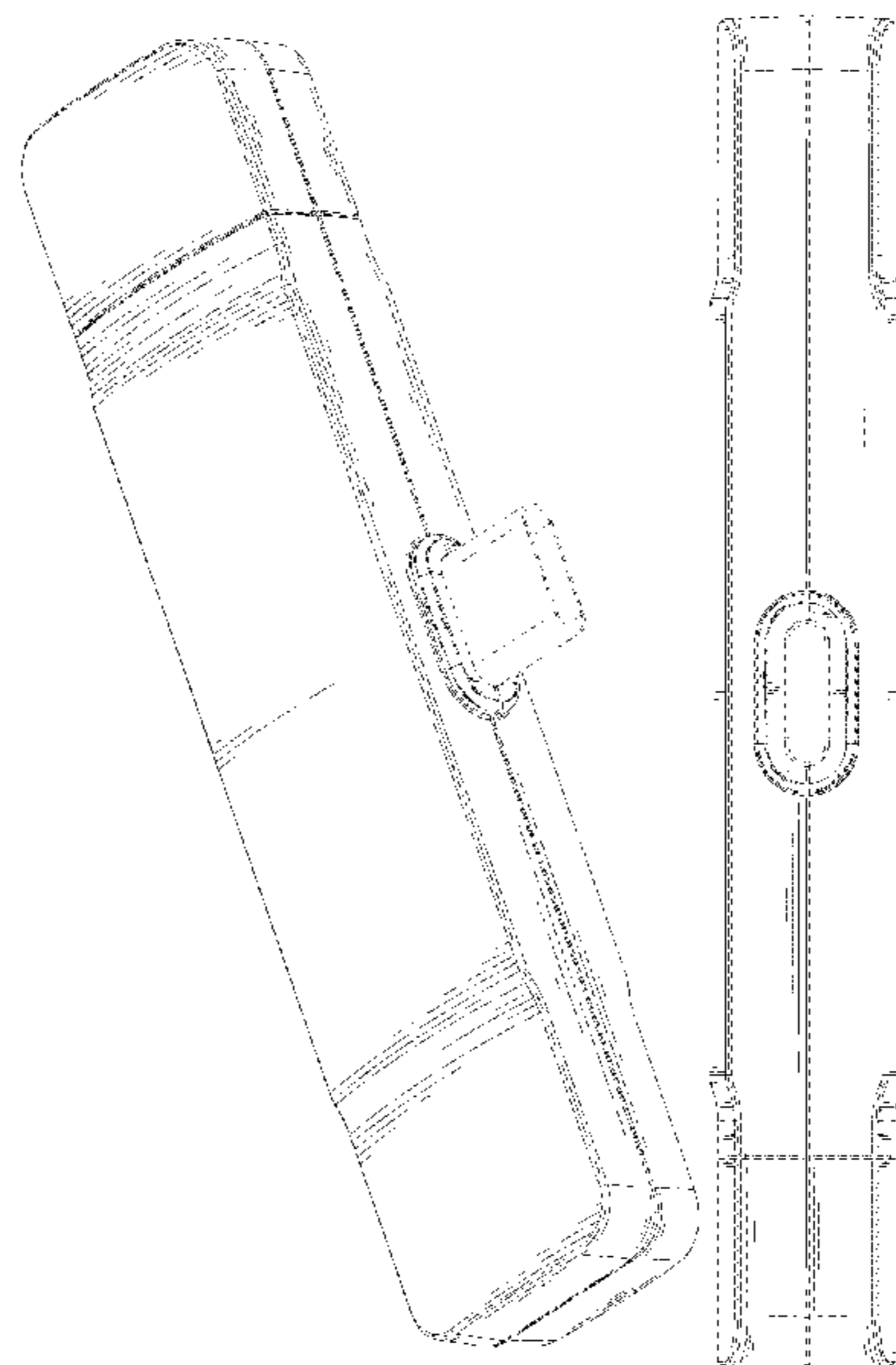
The ornamental design for a “wireless microphone”, as shown and described.

**DESCRIPTION**

FIG. 1 is a perspective view of a first embodiment of a wireless microphone showing the new design;  
 FIG. 2 is a front view thereof;  
 FIG. 3 is a rear view thereof;  
 FIG. 4 is a left view thereof;  
 FIG. 5 is a right view thereof;  
 FIG. 6 is a top view thereof; and  
 FIG. 7 is a bottom view thereof;  
 FIG. 8 is a perspective view of a second embodiment of a wireless microphone showing the new design;  
 FIG. 9 is a front view thereof;  
 FIG. 10 is a rear view thereof;  
 FIG. 11 is a left view thereof;  
 FIG. 12 is a right view thereof;  
 FIG. 13 is a top view thereof; and,  
 FIG. 14 is a bottom view thereof.

The broken lines in the figures depict portions of the wireless microphone that form no part of the claimed design.

**1 Claim, 14 Drawing Sheets**



(56)

References Cited

U.S. PATENT DOCUMENTS

D545,809 S \* 7/2007 Griffin ..... D14/155  
 D554,107 S \* 10/2007 Calco ..... D14/217  
 D555,636 S \* 11/2007 Chen ..... D14/216  
 D569,848 S \* 5/2008 Suzuki ..... D14/188  
 D571,359 S \* 6/2008 Chang ..... D14/216  
 D574,365 S \* 8/2008 Andre ..... D14/217  
 D577,008 S \* 9/2008 Andre ..... D13/133  
 D583,356 S \* 12/2008 Schul ..... D14/168  
 D587,266 S \* 2/2009 Deguchi ..... D14/480.7  
 D588,578 S \* 3/2009 Donovan ..... D14/217  
 D588,739 S \* 3/2009 Janssen ..... D26/76  
 D618,240 S \* 6/2010 Larmour ..... D14/358  
 D631,869 S \* 2/2011 Yamamoto ..... D14/217  
 D633,503 S \* 3/2011 Bo ..... D14/434  
 D641,023 S \* 7/2011 Chen ..... D14/433  
 D662,491 S \* 6/2012 Andre ..... D14/217  
 D678,263 S \* 3/2013 Chahine ..... D14/251  
 D702,246 S \* 4/2014 Hoffart ..... D14/480.1  
 D712,830 S \* 9/2014 Zhou ..... D13/110  
 D713,350 S \* 9/2014 Akana ..... D13/147  
 D749,510 S \* 2/2016 Liu ..... D13/108  
 D755,720 S \* 5/2016 Dobler ..... D13/133  
 D755,724 S \* 5/2016 Akana ..... D13/147  
 D763,185 S \* 8/2016 Wen ..... D13/103  
 D765,082 S \* 8/2016 Allen, Sr. .... D14/433  
 D770,456 S \* 11/2016 Akana ..... D14/433

D774,514 S \* 12/2016 Turksu ..... D14/480.5  
 D783,535 S \* 4/2017 Dobler ..... D13/133  
 D788,041 S \* 5/2017 Akana ..... D13/147  
 D788,111 S \* 5/2017 Ji ..... D14/433  
 D796,514 S \* 9/2017 Xu ..... D14/433  
 D797,043 S \* 9/2017 Akana ..... D13/108  
 D801,310 S \* 10/2017 Kachwalla ..... D14/216  
 D801,975 S \* 11/2017 Qin ..... D14/435.1  
 D813,803 S \* 3/2018 Massar ..... D13/108  
 D813,874 S \* 3/2018 Magi ..... D14/434  
 D828,363 S \* 9/2018 Turksu ..... D14/480.5  
 D839,876 S \* 2/2019 Turksu ..... D14/435.1  
 D841,652 S \* 2/2019 Akana ..... D14/433  
 D868,742 S \* 12/2019 Cao ..... D14/217  
 D898,435 S \* 10/2020 Westervelt ..... D6/601  
 D916,059 S \* 4/2021 Jia ..... D14/225  
 2006/0202727 A1\* 9/2006 Ruettiger ..... G06F 1/30  
 327/143  
 2007/0047198 A1\* 3/2007 Crooijmans ..... G06F 1/1632  
 361/679.41  
 2007/0293079 A1\* 12/2007 Chao ..... H01R 13/6275  
 439/352  
 2010/0081337 A1\* 4/2010 Dorogusker ..... H01R 31/065  
 439/660  
 2010/0171465 A1\* 7/2010 Seal ..... H02J 7/0042  
 320/114  
 2010/0281209 A1\* 11/2010 Ni ..... G11C 16/0408  
 711/103

\* cited by examiner

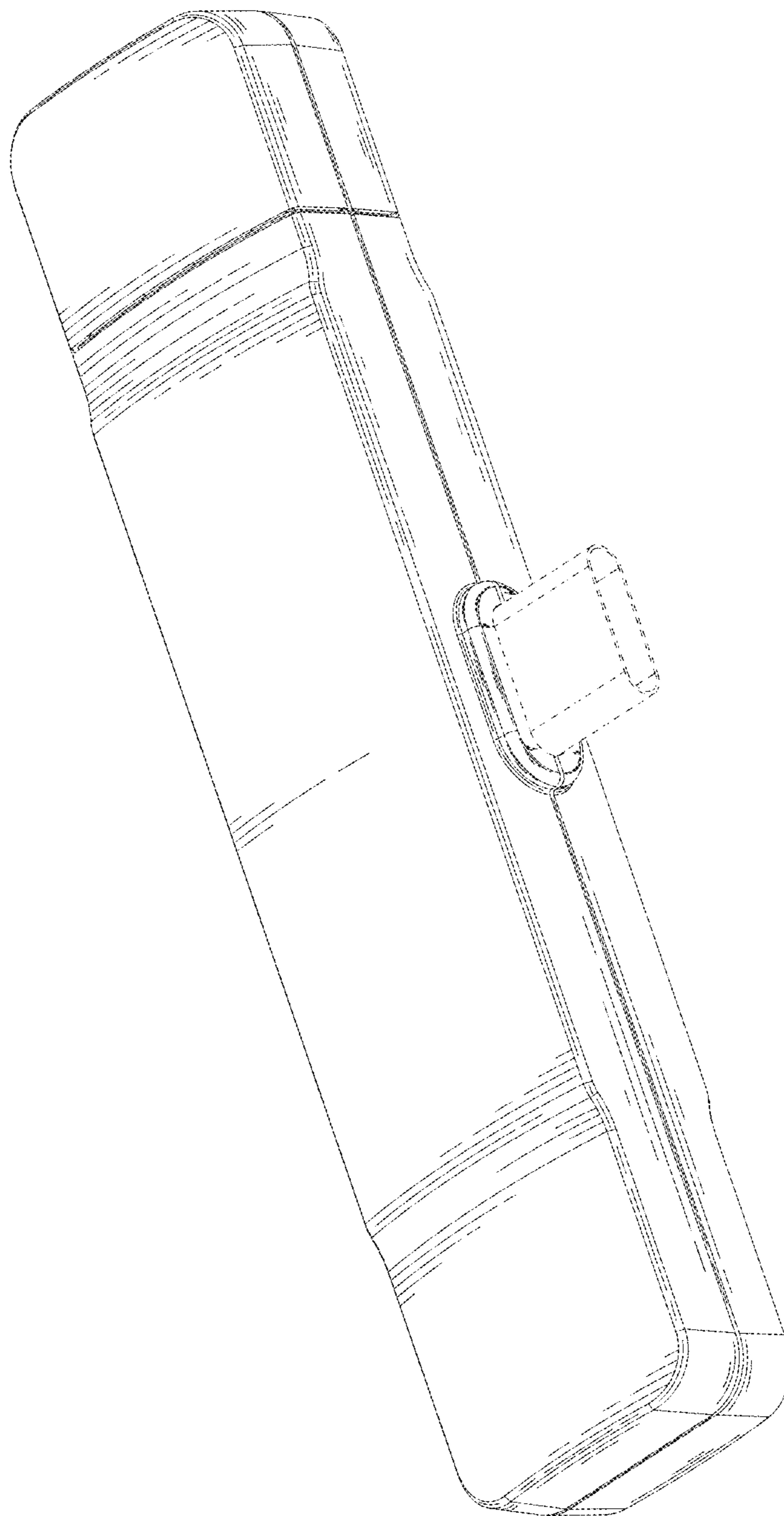


FIG. 1

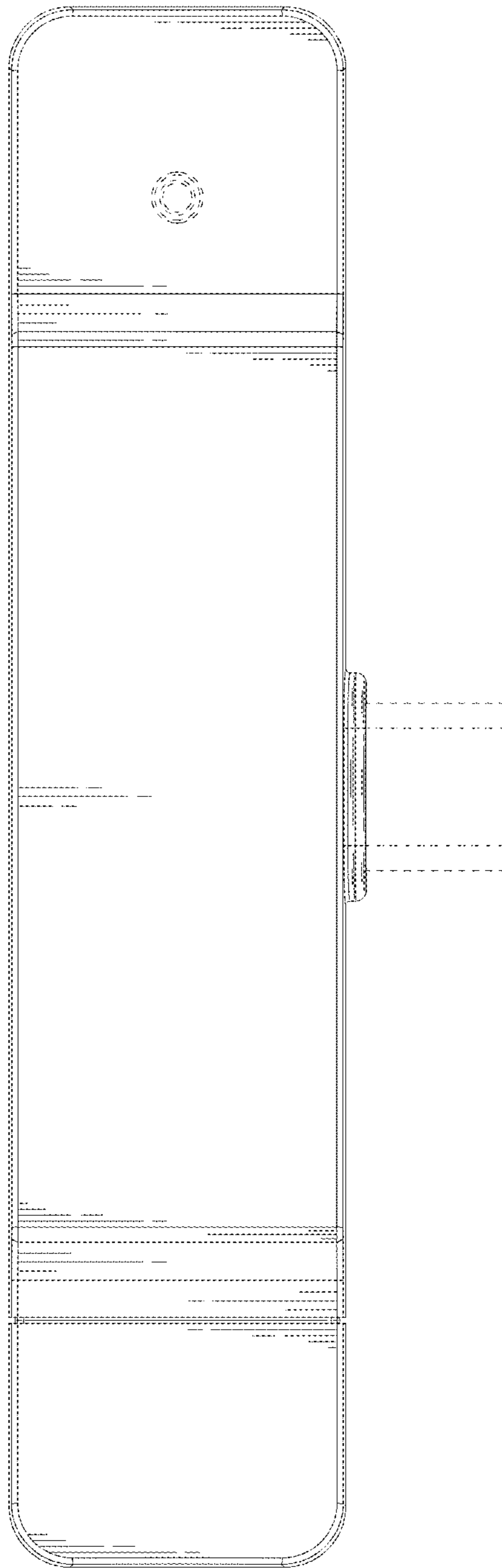


FIG. 2

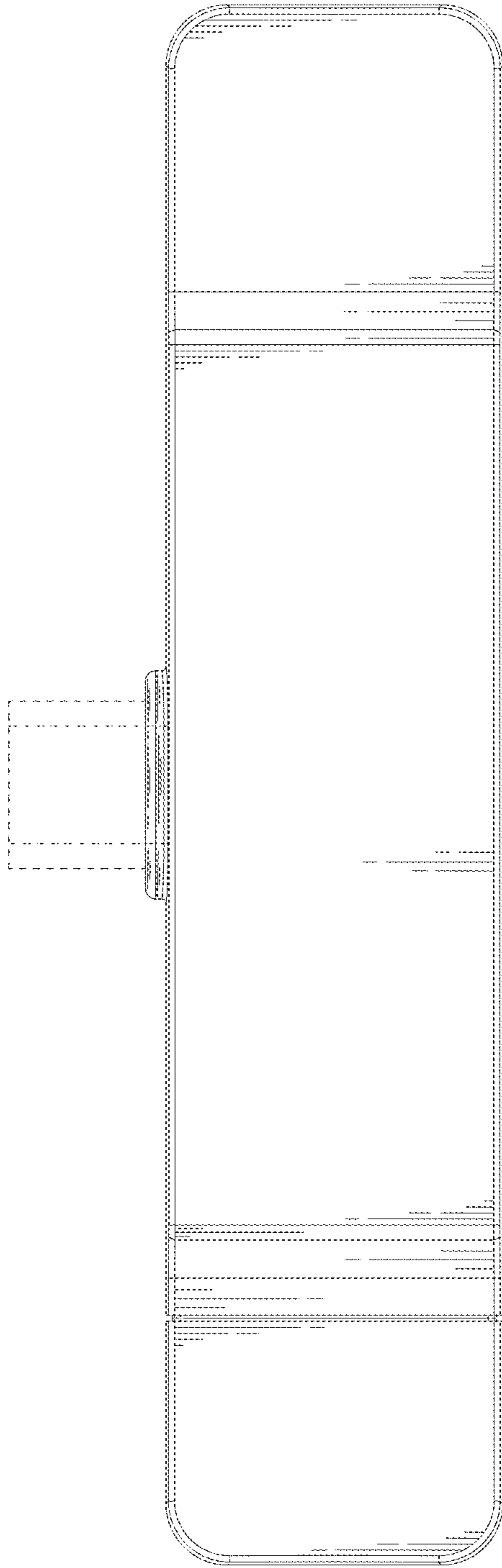


FIG. 3

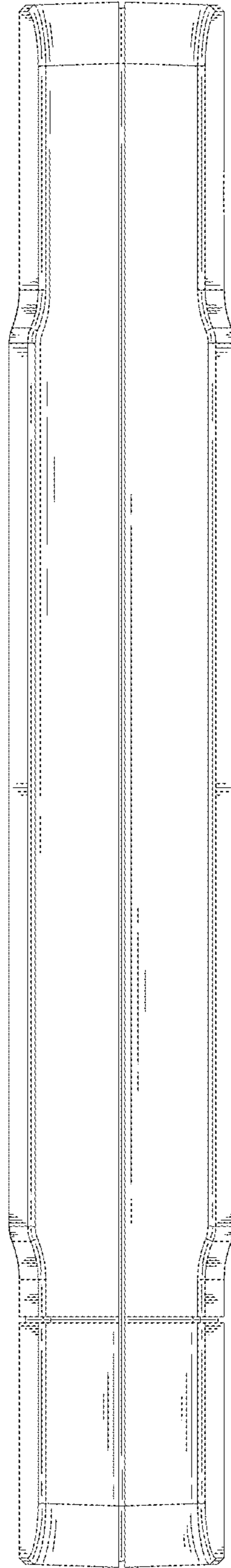


FIG. 4

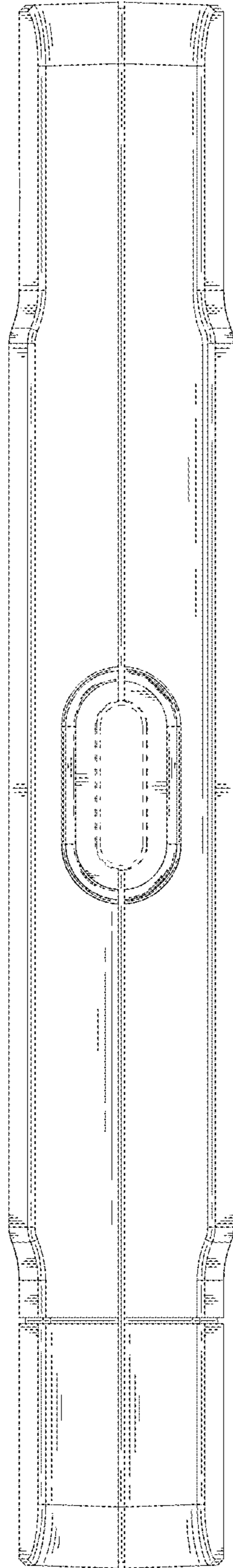


FIG. 5

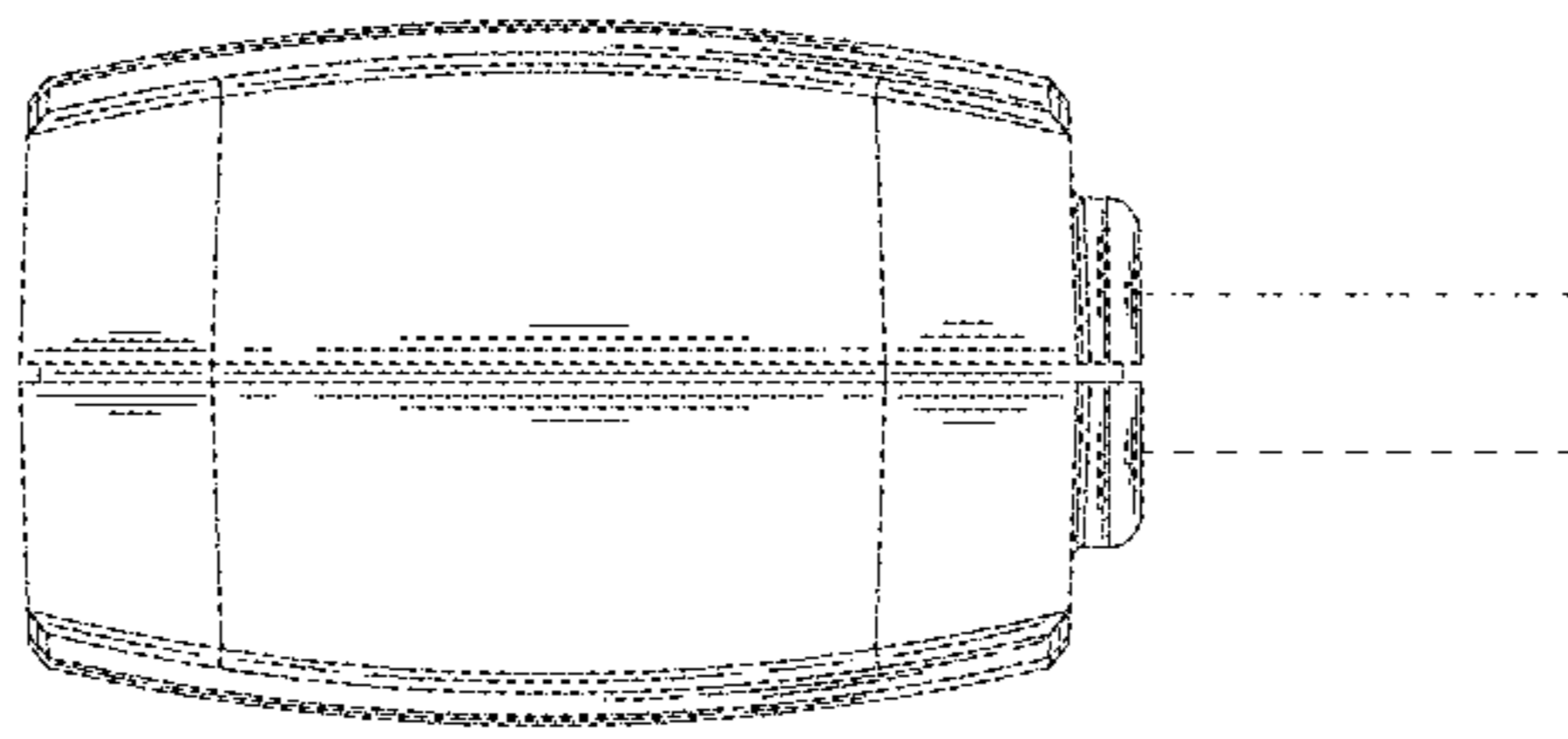


FIG. 6



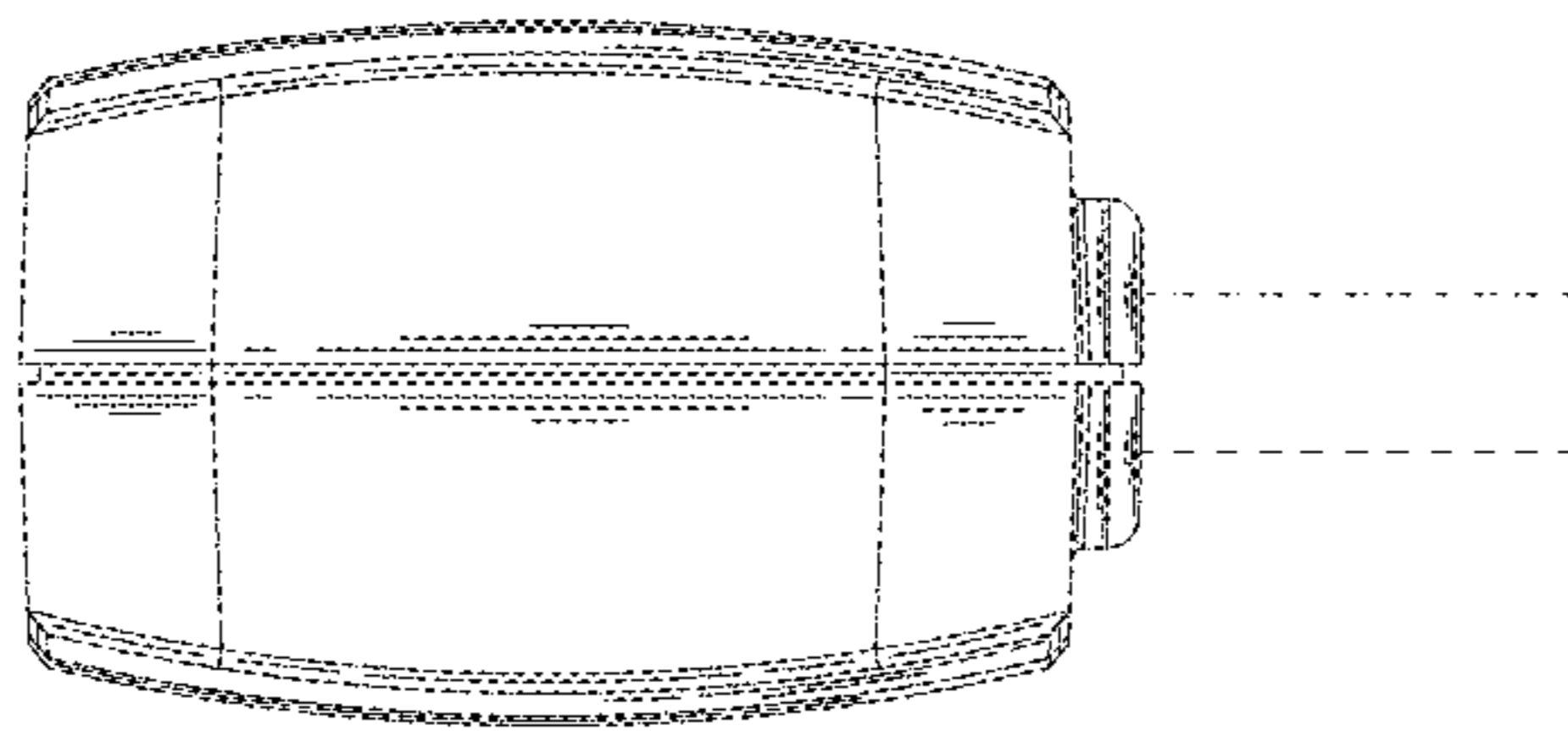


FIG. 7

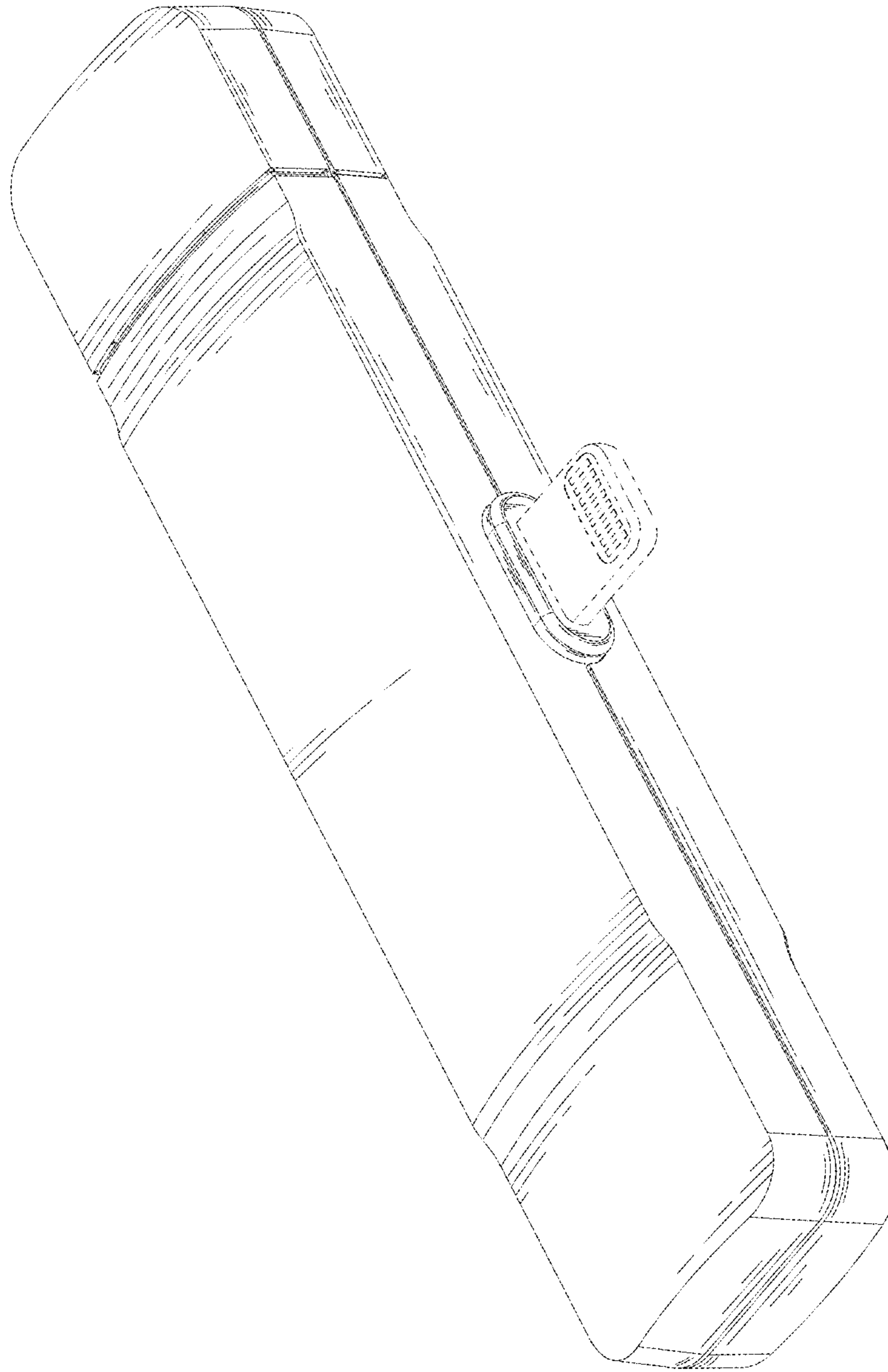


FIG. 8

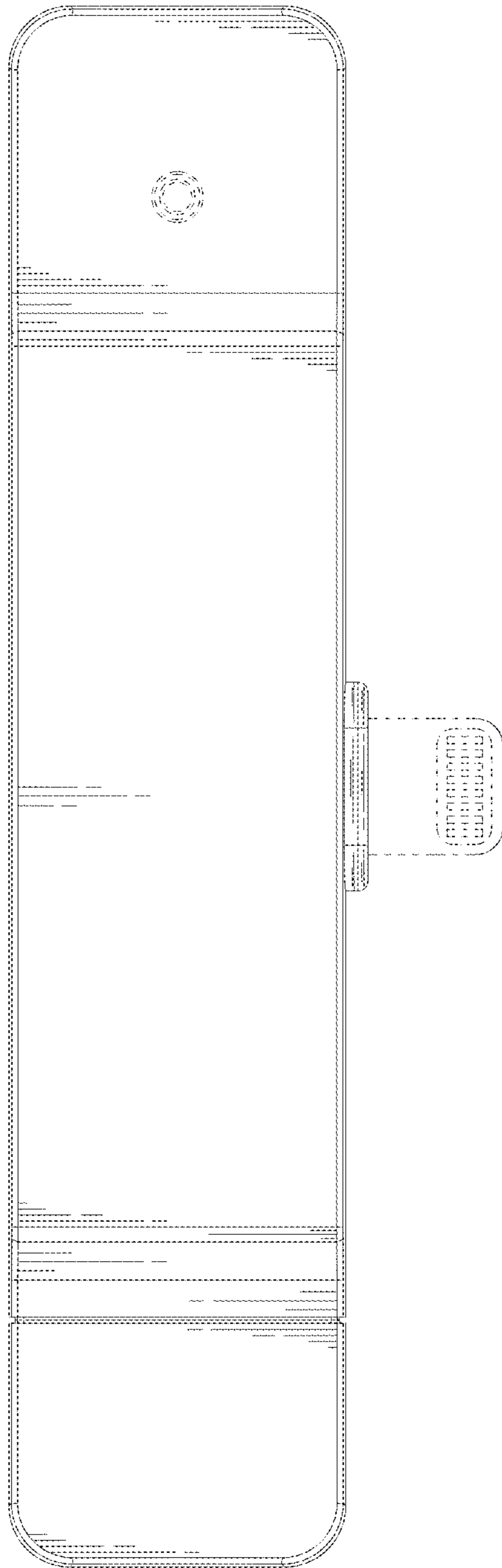


FIG. 9

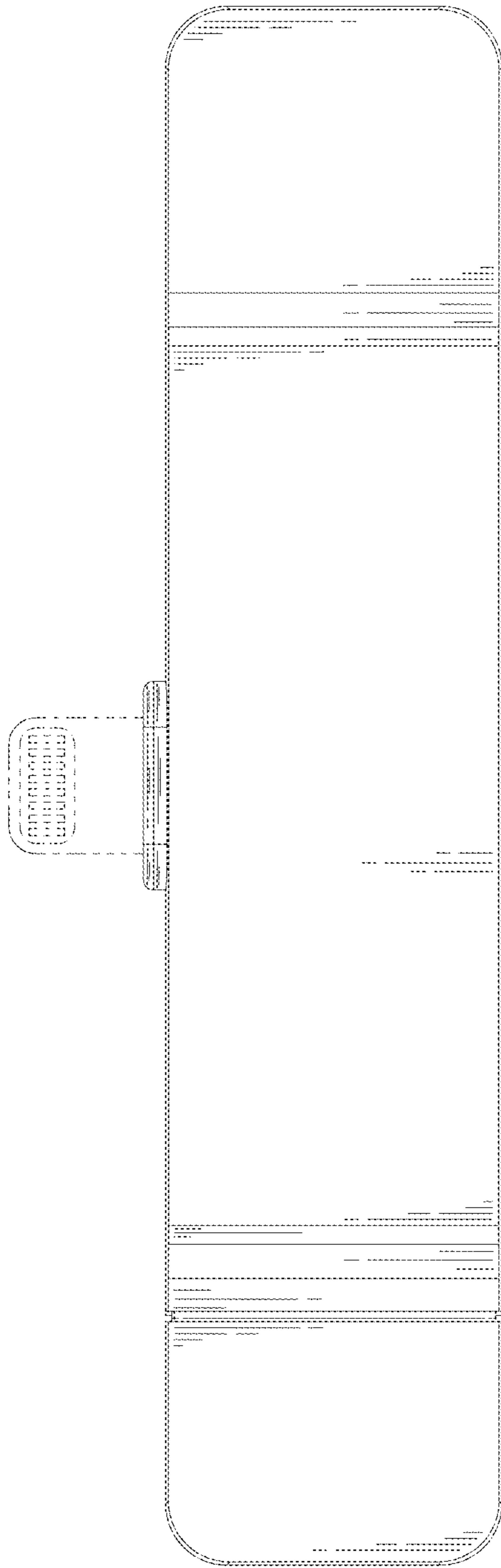


FIG. 10

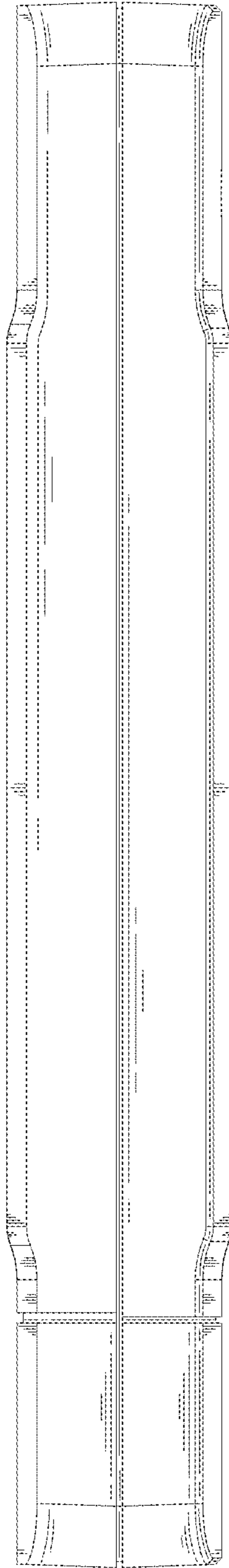


FIG. 11

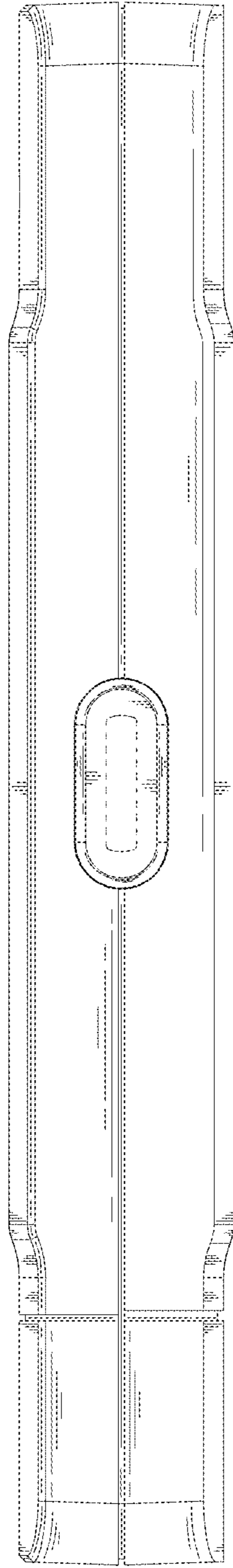


FIG. 12

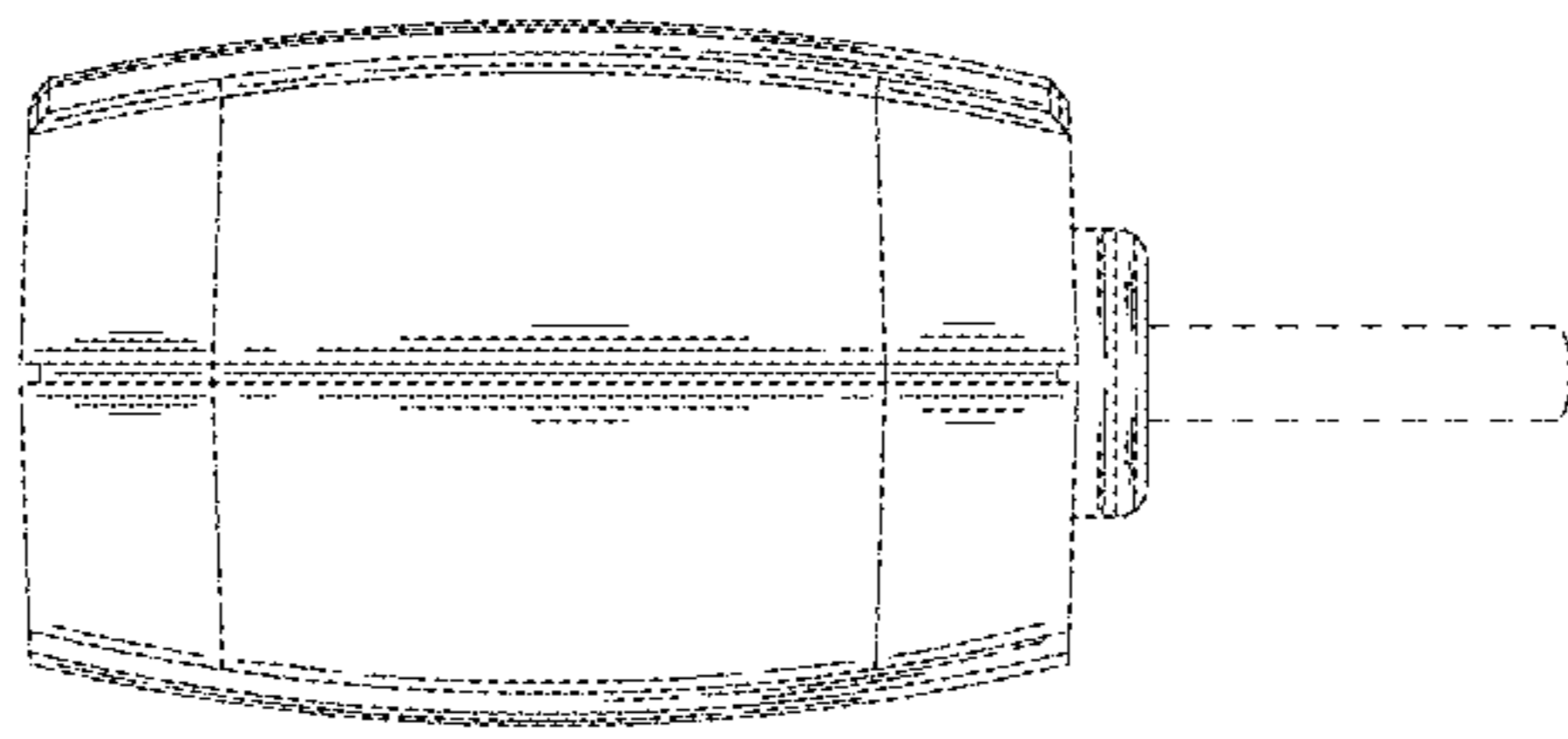


FIG. 13

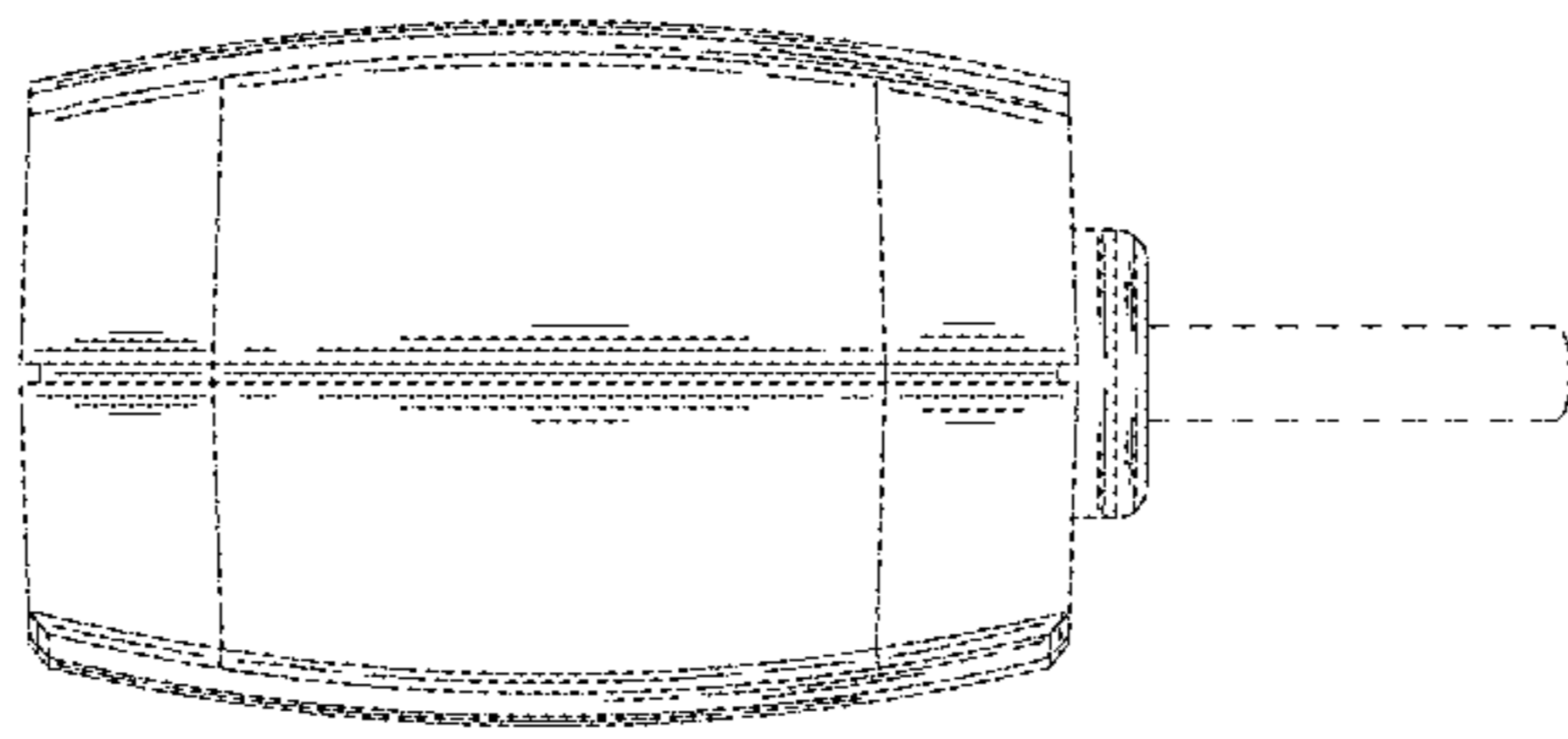


FIG. 14