



US00D925501S

(12) **United States Design Patent**
Chen

(10) **Patent No.:** **US D925,501 S**

(45) **Date of Patent:** **** *Jul. 20, 2021**

(54) **HORIZONTAL COMPUTER MICROPHONE**

(71) Applicant: **Ching-Wen Chen**, Taipei (TW)

(72) Inventor: **Ching-Wen Chen**, Taipei (TW)

(*) Notice: This patent is subject to a terminal disclaimer.

(**) Term: **15 Years**

(21) Appl. No.: **29/671,486**

(22) Filed: **Nov. 28, 2018**

(51) **LOC (13) Cl.** **14-01**

(52) **U.S. Cl.**
USPC **D14/225**

(58) **Field of Classification Search**
USPC D14/225, 226, 227, 229, 150, 149, 188,
D14/167, 194, 159, 214, 219, 221, 168,
D14/238.1, 496, 501, 507; 181/129, 130,
181/135, 147; 379/447; 381/380, 381,
381/361, 365, 366, 355, 375, 386, 388,
381/335; 455/90.3, 575.1, 569.1
CPC H04R 25/00; H04R 19/04; H04R 5/00;
H05K 5/00; H05K 7/00; G06F 1/16
See application file for complete search history.

(56) **References Cited**

U.S. PATENT DOCUMENTS

D105,226 S *	7/1937	Moore	D14/226
D105,992 S *	9/1937	Huth	D14/227
D171,055 S *	12/1953	Schell, Jr.	D14/225
D195,963 S *	8/1963	Spilman	D14/225
D248,945 S *	8/1978	Astleford	D14/229
D266,242 S *	9/1982	Radzelovage	D14/225
4,441,577 A *	4/1984	Kurihara	H04R 1/323 181/141
D278,535 S *	4/1985	Sujanani	D14/193
4,577,070 A *	3/1986	Shulman	H04R 1/08 248/104
D310,082 S *	8/1990	Kehl	D14/225

D311,189 S *	10/1990	Lazzeroni	D14/225
4,975,966 A *	12/1990	Sapiejewski	H04R 1/222 181/151
D321,692 S *	11/1991	Siddoway	D14/225
D332,608 S *	1/1993	Masagaki	D14/186
D338,204 S *	8/1993	Takao	D14/226
D340,717 S *	10/1993	Grimes	D14/193
D341,593 S *	11/1993	Chang	D14/159
D356,571 S *	3/1995	Garmon	D14/225
D359,492 S *	6/1995	Dyas	D14/214
D384,357 S *	9/1997	McAteer	D14/225
D396,862 S *	8/1998	Morgan	D14/225
5,812,369 A *	9/1998	Hsu	G06F 1/1616 361/679.6
D404,736 S *	1/1999	Alvarez	D14/225
D416,912 S *	11/1999	Hsieh	D14/225
6,078,497 A *	6/2000	Derocher	G06F 1/1616 345/905

(Continued)

FOREIGN PATENT DOCUMENTS

CN 303308408 * 7/2015

Primary Examiner — Paula Allen Greene

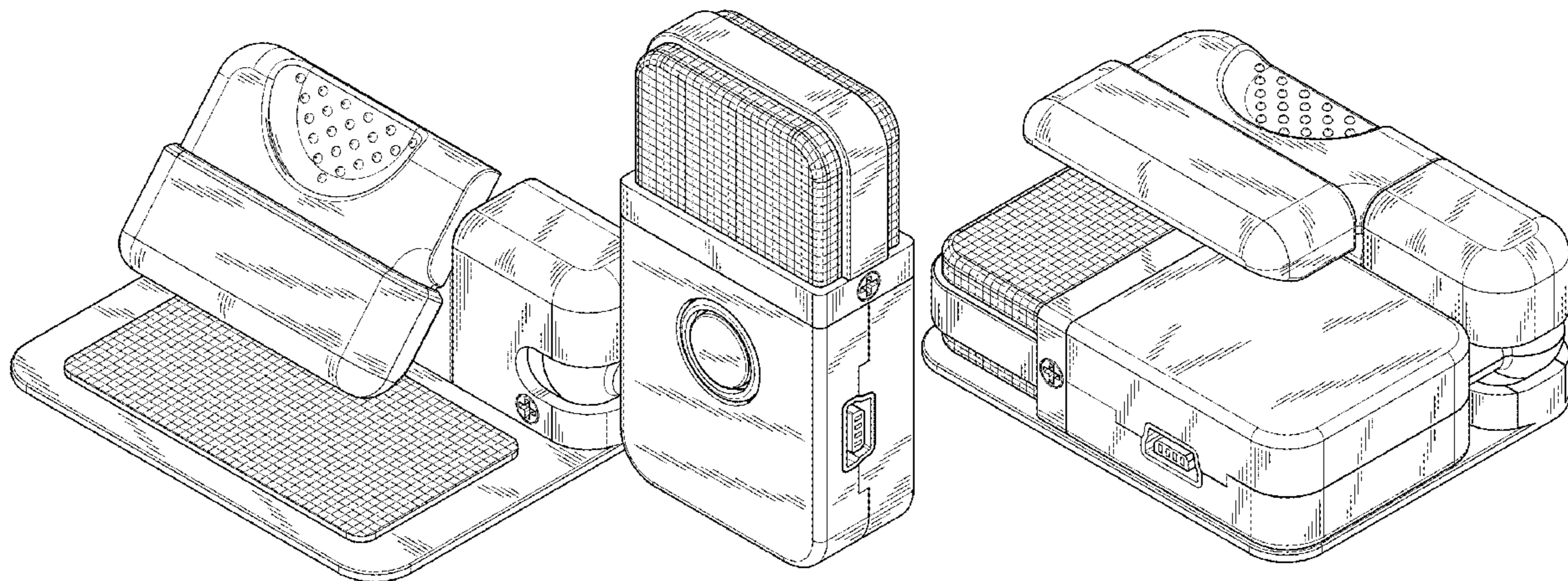
(57) **CLAIM**

The ornamental design for a horizontal computer microphone, as shown and described.

DESCRIPTION

FIG. 1 is a top perspective view of a horizontal computer microphone showing my new design;
FIG. 2 is a front view thereof;
FIG. 3 is a rear view thereof;
FIG. 4 is a left elevational side view thereof;
FIG. 5 is a right elevational side view thereof;
FIG. 6 is a top elevational view thereof;
FIG. 7 is a bottom elevational view thereof; and,
FIG. 8 is a perspective view in an alternate position thereof.

1 Claim, 8 Drawing Sheets



(56)

References Cited

U.S. PATENT DOCUMENTS

6,181,550 B1 *	1/2001	Kim	G06F 1/1616					
				361/679.06					
D438,857 S *	3/2001	Ishii	D14/161					
D447,131 S *	8/2001	Hough	D14/228					
D448,019 S *	9/2001	Cebe	D14/225					
6,600,827 B2 *	7/2003	Lu	G06F 1/1605					
				248/316.4					
D483,739 S *	12/2003	Olson	D14/214					
D496,653 S *	9/2004	Townsend	D14/240					
D507,261 S *	7/2005	Griffin	D14/226					
D516,546 S *	3/2006	Sobol	D14/228					
D545,300 S *	6/2007	Hong	D14/214					
D553,862 S *	10/2007	Gregg	A46B 5/0091					
				D4/121					
D554,149 S *	10/2007	Kim	D14/496					
D554,628 S *	11/2007	Aoki	D14/226					
D558,183 S *	12/2007	Aoki	D14/167					
D563,385 S *	3/2008	Skurdal	D14/214					
D567,807 S *	4/2008	Bodley	D14/225					
D578,994 S *	10/2008	Oka	D14/167					
D584,287 S *	1/2009	Pauschitz	D14/214					
D613,725 S *	4/2010	Chen	D14/194					
D629,794 S *	12/2010	Aarrestad	D14/225					
D644,211 S *	8/2011	Hao	D14/219					
D649,524 S *	11/2011	Miyazaki	D14/167					
D661,281 S *	6/2012	Mahaffy	D14/206					
8,265,319 B2 *	9/2012	Groset	H04R 5/02					
				361/679.23					
D669,879 S *	10/2012	Iijima	D14/167					
D676,075 S *	2/2013	Ku	D14/167					
D679,263 S *	4/2013	Yano	D14/149					
D713,381 S *	9/2014	Riggs	D14/214					
D716,772 S *	11/2014	Cavero	D14/225					
D745,494 S *	12/2015	Wise	D14/227					
D751,532 S *	3/2016	Chen	D14/225					
2002/0048384 A1 *	4/2002	Chen	H04R 1/08					
				381/363					
2003/0053620 A1 *	3/2003	Chen	H04M 1/02					
				379/447					

* cited by examiner

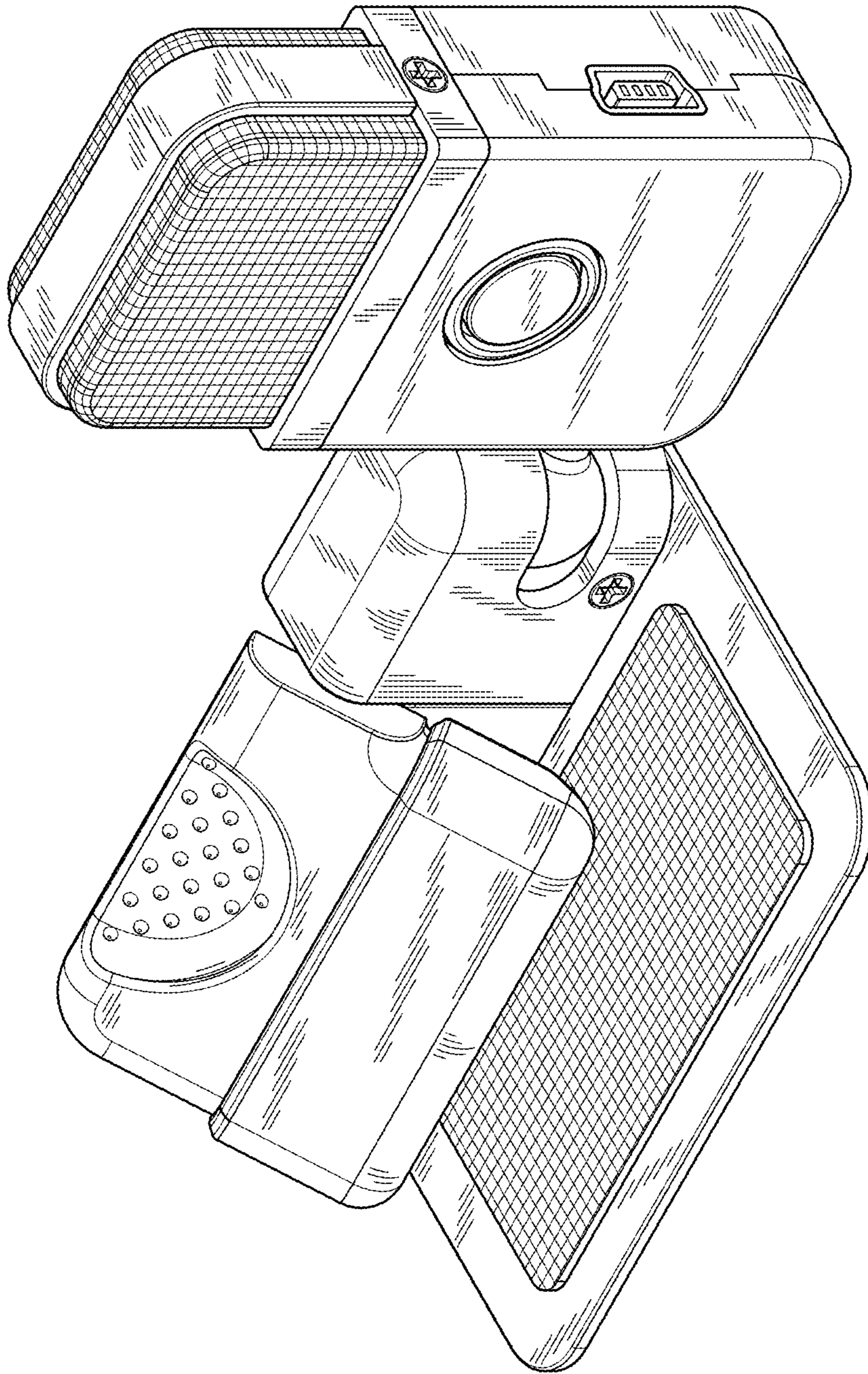


Fig. 1

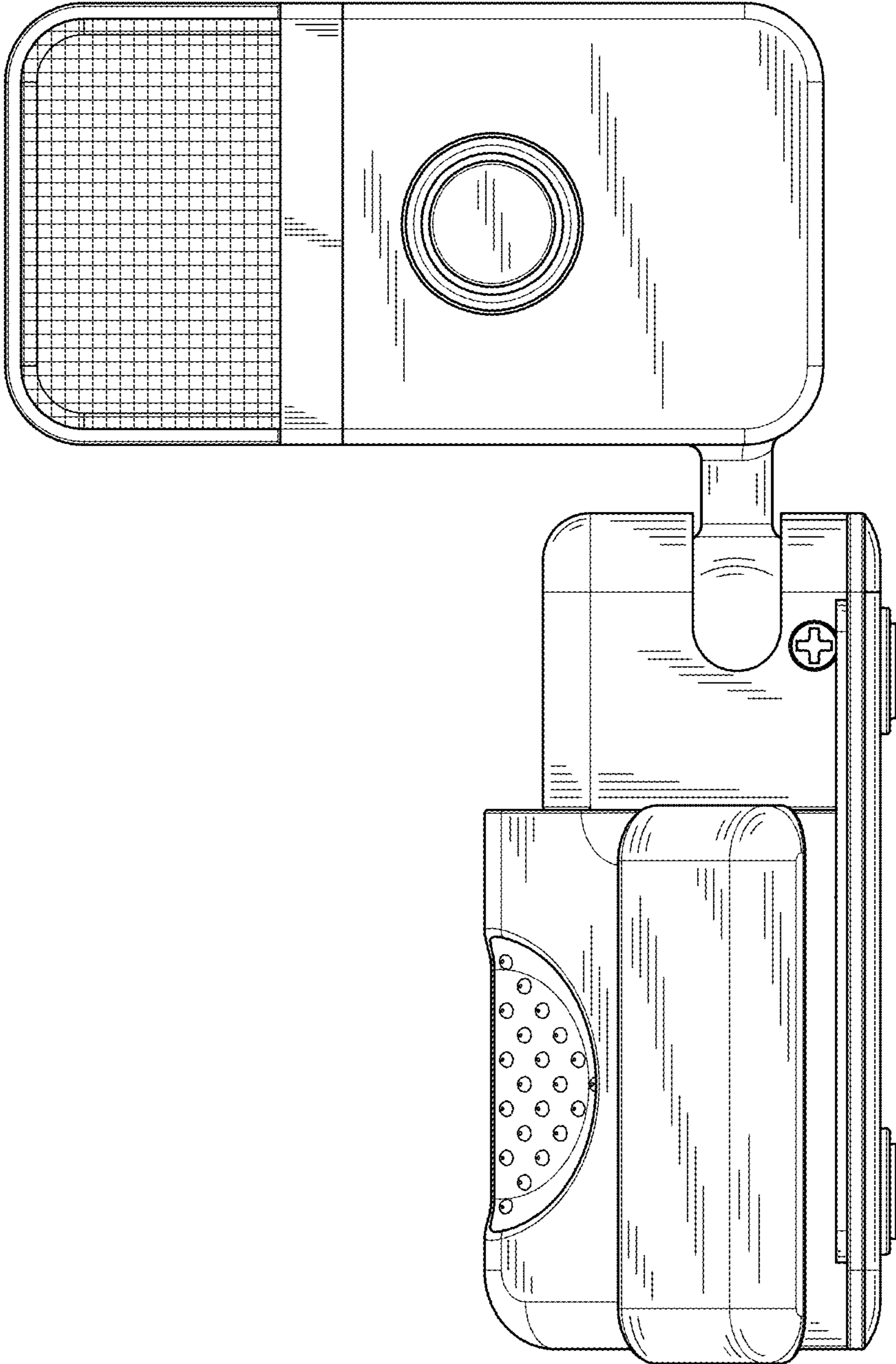


Fig. 2

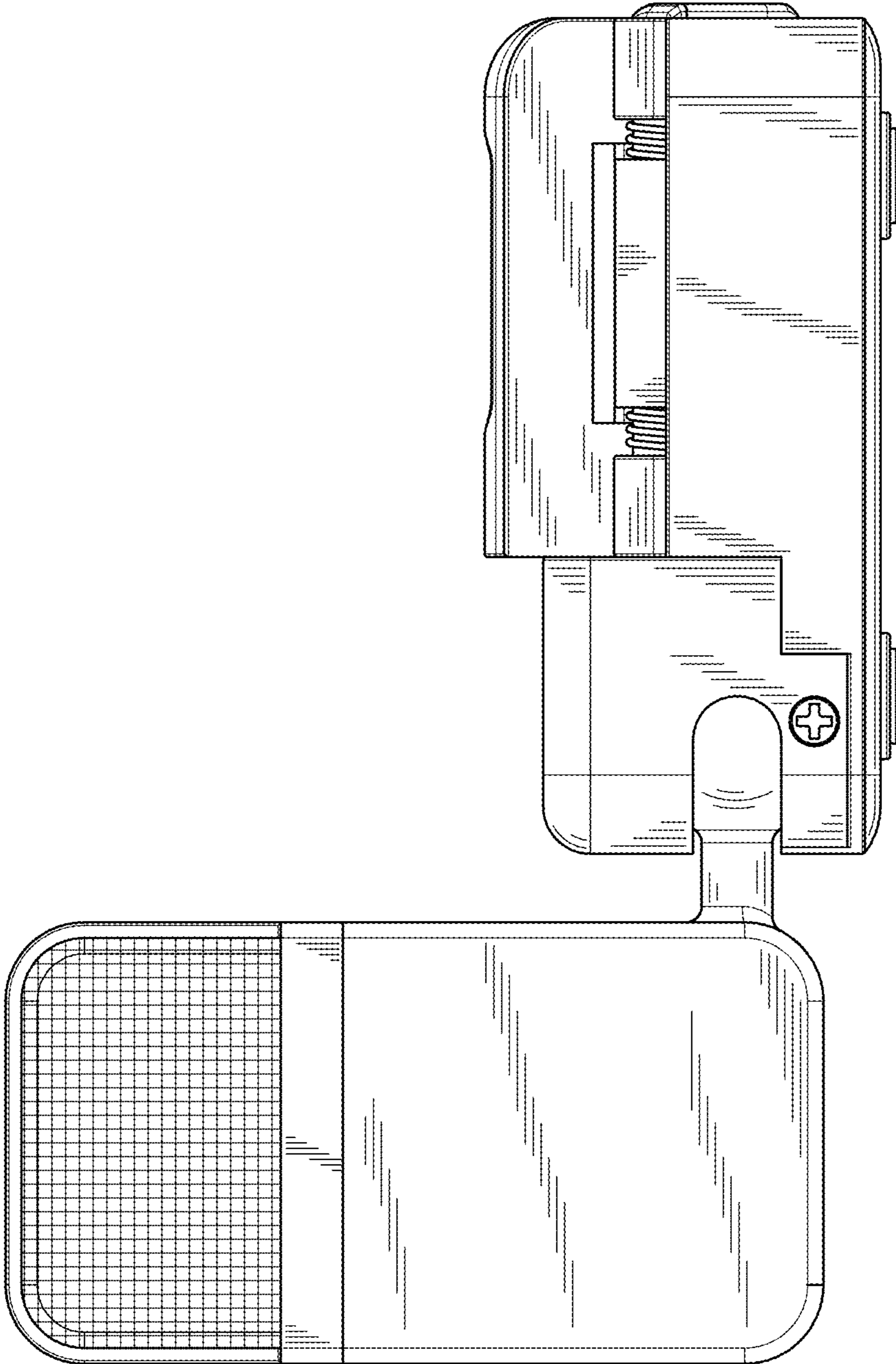


Fig. 3

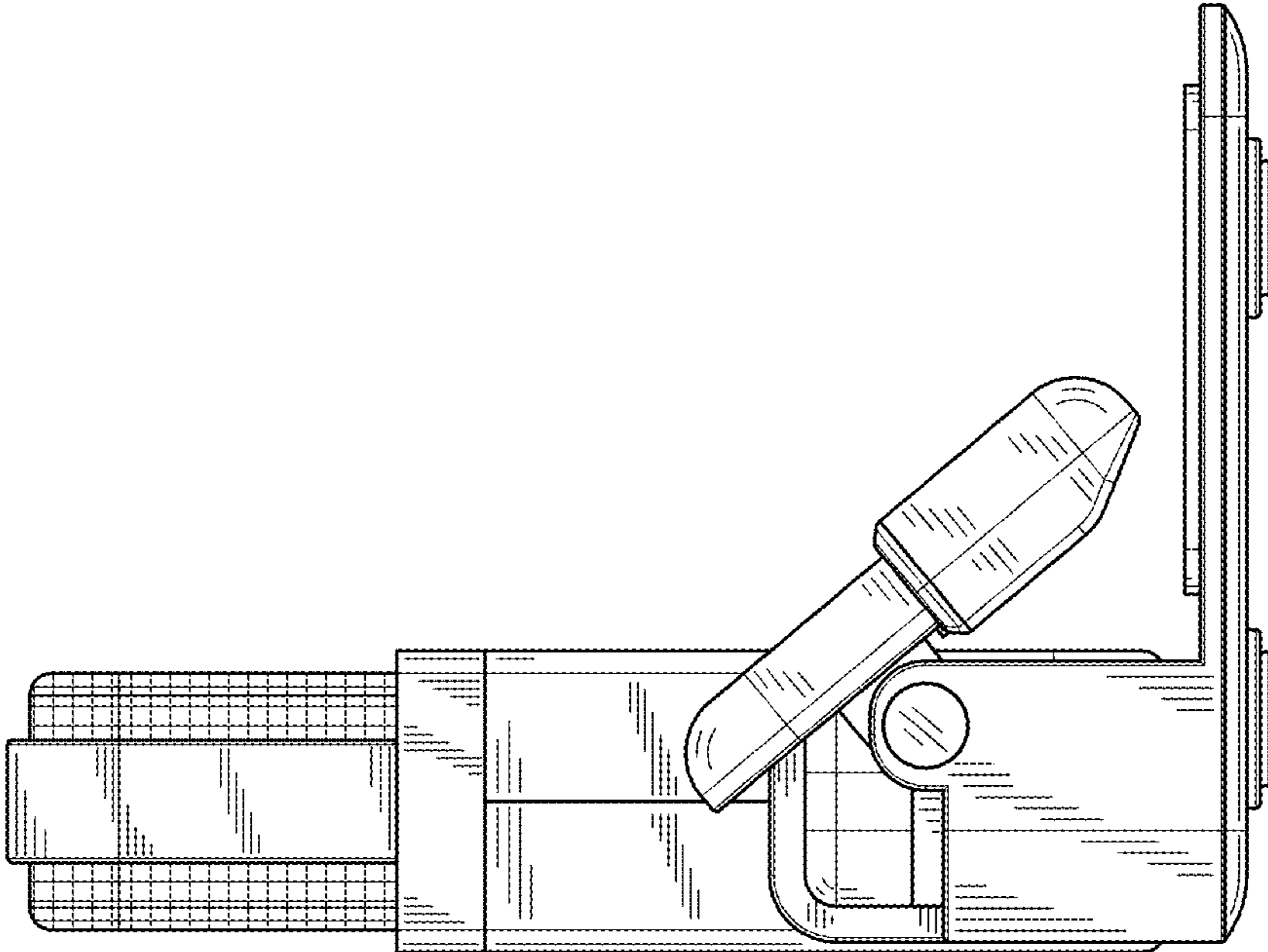


Fig. 4

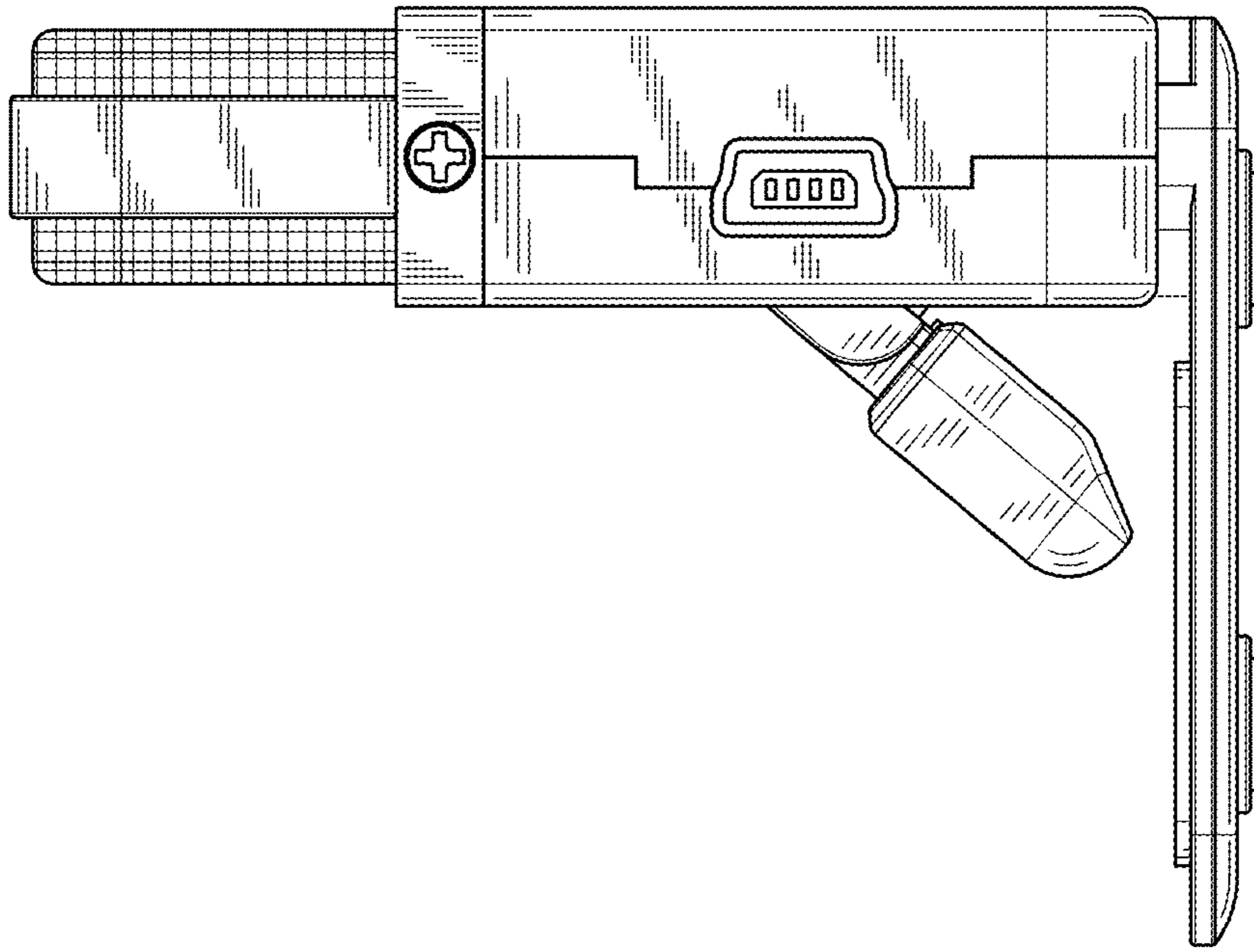


Fig. 5

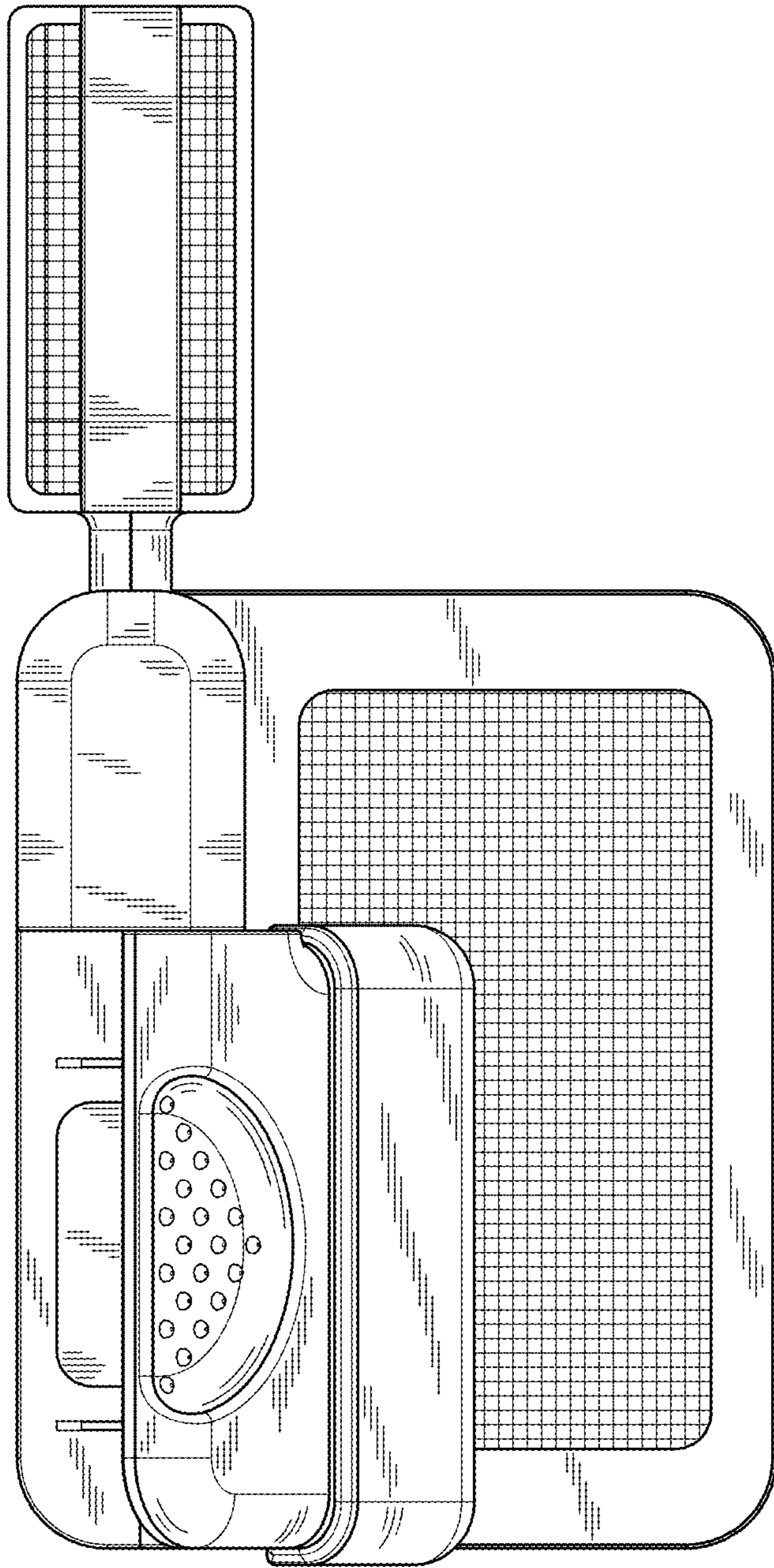


Fig. 6

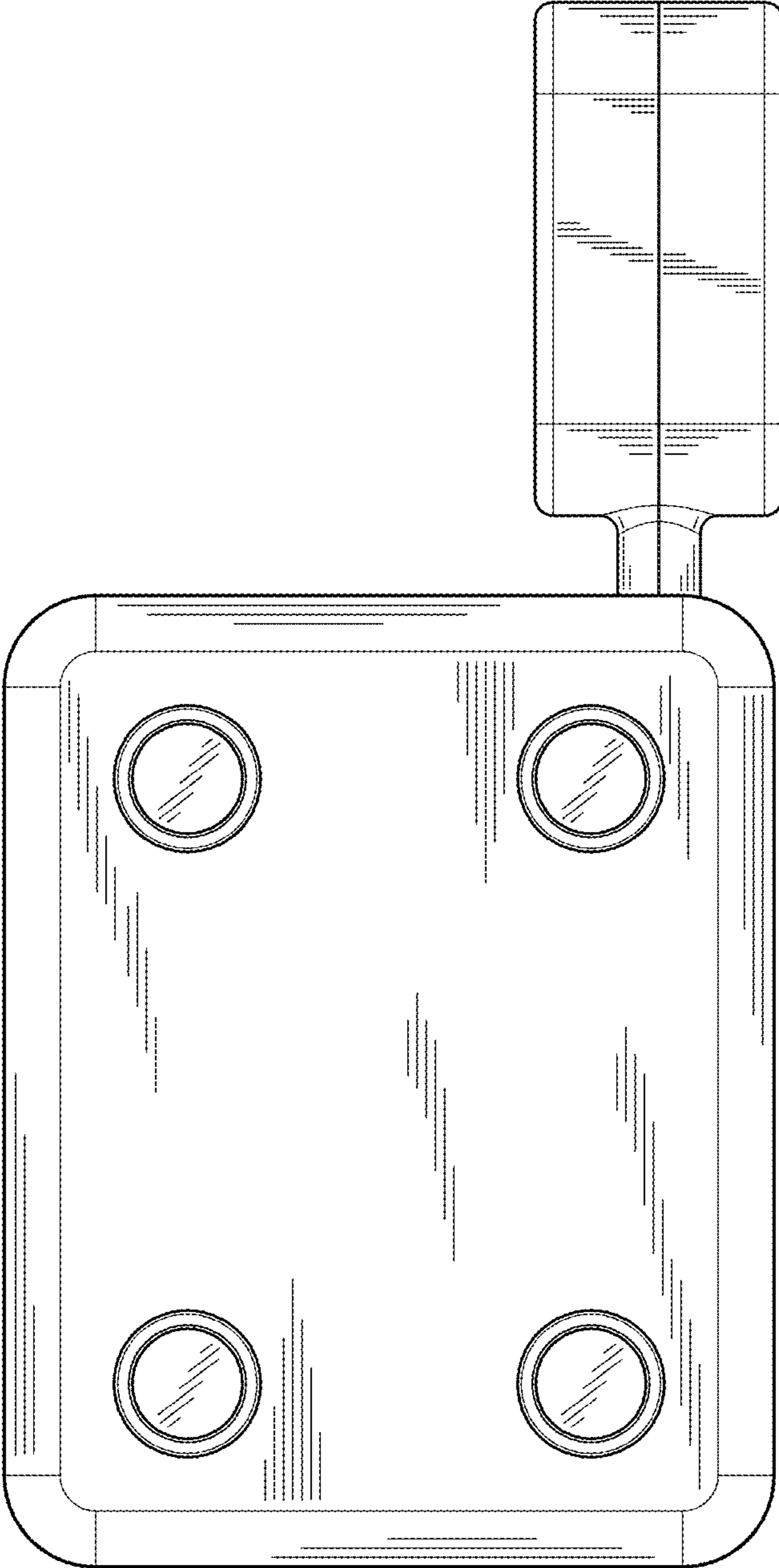


Fig. 7

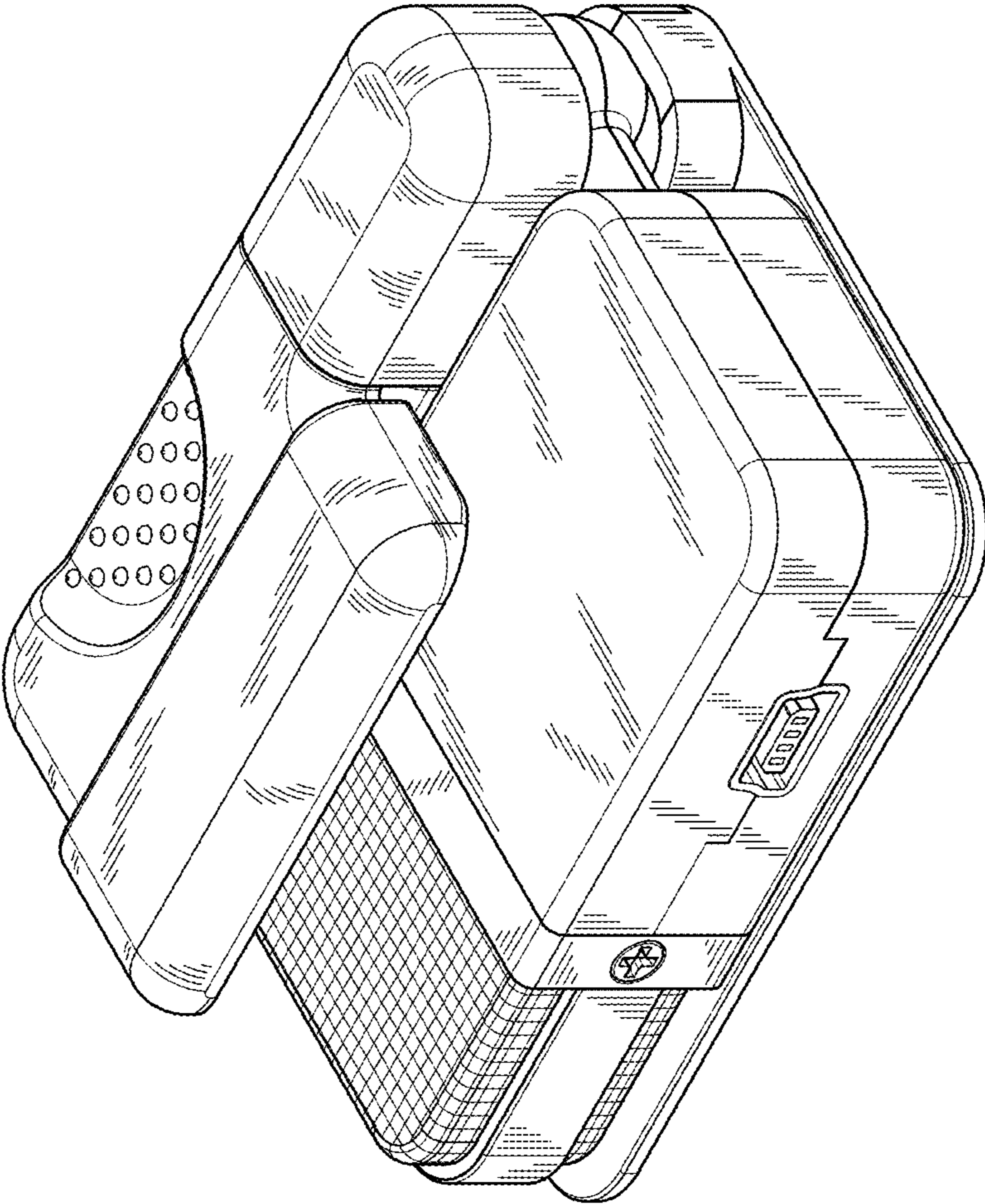


Fig. 8