



US00D925495S

(12) **United States Design Patent** (10) **Patent No.:** **US D925,495 S**
Liu (45) **Date of Patent:** **** Jul. 20, 2021**

(54) **EARPHONE**
(71) Applicant: **SHENZHEN BLUE TIMES TECHNOLOGY CO., LTD**, Shenzhen (CN)
(72) Inventor: **Guangmou Liu**, Shenzhen (CN)
(73) Assignee: **SHENZHEN BLUE TIMES TECHNOLOGY CO., LTD**, Shenzhen (CN)
(**) Term: **15 Years**
(21) Appl. No.: **29/722,785**

5,748,454 A * 5/1998 Nichols A45F 5/02
361/814
D401,911 S * 12/1998 Hwang D13/168
D480,711 S * 10/2003 Kuan D14/223
D487,078 S * 2/2004 Chen D14/206
D492,667 S * 7/2004 Skulley D14/223
D494,570 S * 8/2004 Ma D14/223
D496,031 S * 9/2004 Ma D10/104.1
D496,653 S * 9/2004 Townsend D14/240
D502,171 S * 2/2005 Tang D14/205
6,868,284 B2 * 3/2005 Bae H04M 1/05
379/428.02
D509,210 S * 9/2005 Skulley D14/205
D512,991 S * 12/2005 Yano D14/223
D530,271 S * 10/2006 Hriscu D13/107
D535,974 S * 1/2007 Alwicker D14/188

(Continued)

(22) Filed: **Jan. 31, 2020**
(30) **Foreign Application Priority Data**
Aug. 13, 2019 (CN) 201930439476.9
(51) **LOC (13) Cl.** **14-01**
(52) **U.S. Cl.**
USPC **D14/223**
(58) **Field of Classification Search**
USPC D14/223, 240, 242, 137, 218, 496, 206;
D13/168; D10/104.1; D24/174;
128/864, 865, 866; 381/380, 381;
455/90.3, 575.1, 569.1
CPC H04R 1/10; H04R 25/00; H04R 25/02;
H04R 1/1016; H04R 5/033; H04R
5/0335; H04R 1/105
See application file for complete search history.

FOREIGN PATENT DOCUMENTS

CN 306521421 * 5/2021
Primary Examiner — Paula Allen Greene
(74) *Attorney, Agent, or Firm* — Li & Cai Intellectual Property (USA) Office

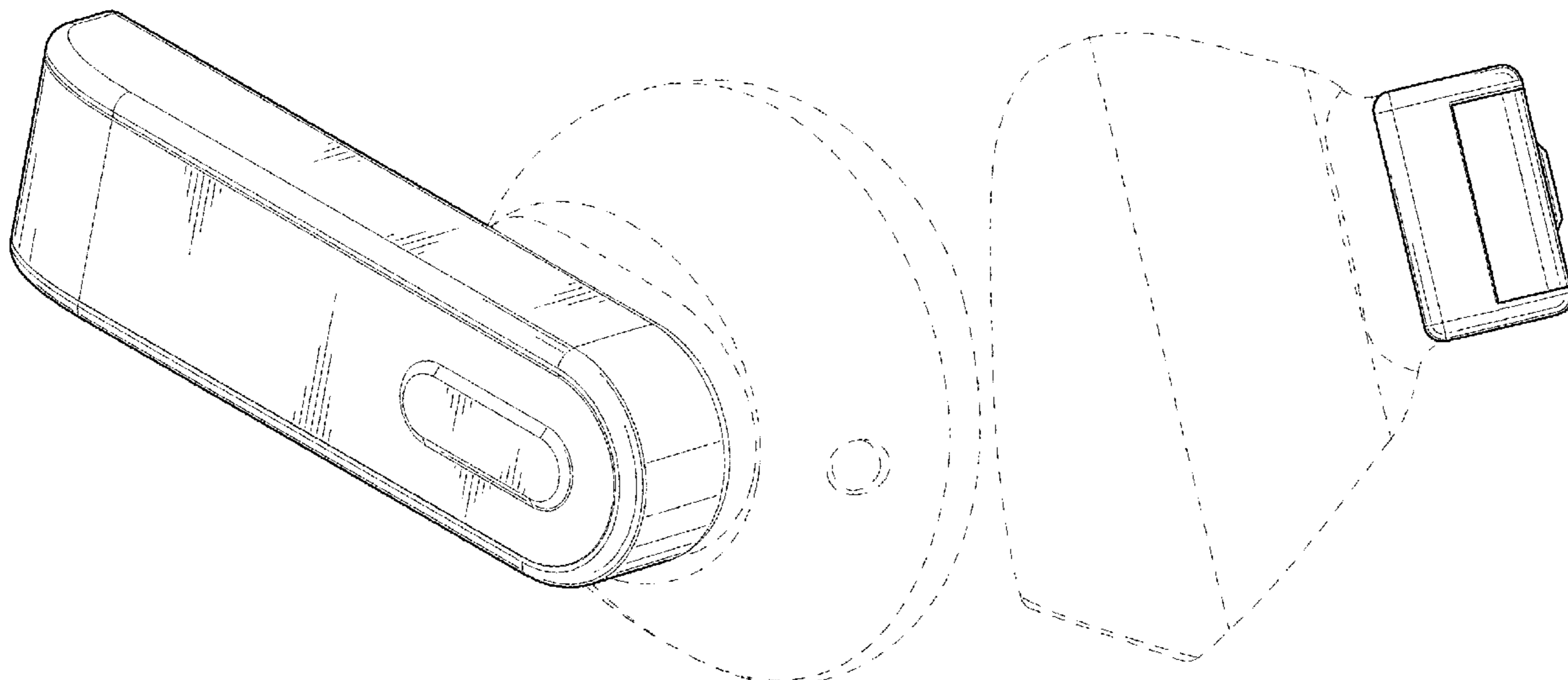
(57) **CLAIM**
The ornamental design for an earphone, as shown and described.

DESCRIPTION

FIG. 1 is a front, right and top perspective view of an earphone showing my new design;
FIG. 2 is a front view thereof;
FIG. 3 is a rear view thereof;
FIG. 4 is a left side elevational view thereof;
FIG. 5 is a right side elevational view thereof;
FIG. 6 is a top view thereof; and,
FIG. 7 is a bottom view thereof.
The broken lines depict portions of the earphone in which the design is embodied that forms no part of the claimed design.

(56) **References Cited**
U.S. PATENT DOCUMENTS
1,879,148 A * 9/1932 Fassett H04R 1/10
181/20
D306,853 S * 3/1990 Mayo D13/165
D357,921 S * 5/1995 Ming-Chin D14/223
D361,058 S * 8/1995 Domel D13/168

1 Claim, 7 Drawing Sheets



(56)

References Cited

U.S. PATENT DOCUMENTS

D536,692 S * 2/2007 Alwicker D14/188
 D538,271 S * 3/2007 Kim D14/223
 D538,792 S * 3/2007 Kim D14/223
 D542,267 S * 5/2007 Cha D14/206
 D543,537 S * 5/2007 Chau D14/218
 D543,539 S * 5/2007 Sade D14/223
 D554,109 S * 10/2007 Ledbetter D14/223
 D554,630 S * 11/2007 Ma D14/240
 D555,151 S * 11/2007 Eklund D14/223
 D568,301 S * 5/2008 Kim D14/205
 D573,139 S * 7/2008 Birger D14/205
 D574,366 S * 8/2008 Sade D14/223
 D575,280 S * 8/2008 Marquez D14/240
 D581,396 S * 11/2008 Wikel D14/206
 D581,943 S * 12/2008 Pedersen D14/150
 D590,378 S * 4/2009 Bradford D14/223
 D592,190 S * 5/2009 Birger D14/223
 D595,262 S * 6/2009 Nousiainen D14/206
 D598,900 S * 8/2009 Wikel D14/223
 D602,919 S * 10/2009 Bodley D14/225

D603,378 S * 11/2009 Paradise D14/223
 D604,722 S * 11/2009 Mistry D14/223
 D606,980 S * 12/2009 Bradford D14/218
 D620,927 S * 8/2010 Li D14/223
 D622,266 S * 8/2010 Tzeng D14/223
 D632,680 S * 2/2011 Anneback D14/228
 D636,763 S * 4/2011 Walter D14/223
 D638,409 S * 5/2011 Walter D14/240
 D640,242 S * 6/2011 Fahrendorff D14/223
 8,285,208 B2 * 10/2012 Terlizzi H04M 1/6058
 455/41.2
 D693,796 S * 11/2013 Birger D14/223
 D705,751 S * 5/2014 Wenger D14/206
 D707,659 S * 6/2014 Henning D14/223
 D725,082 S * 3/2015 Palmborg D14/223
 D737,796 S * 9/2015 Liu D14/205
 D750,043 S * 2/2016 Birger D14/206
 D762,623 S * 8/2016 Gondo D14/223
 D767,568 S * 9/2016 McWilliam D14/358
 D793,995 S * 8/2017 Nakagawa D14/218
 D855,484 S * 8/2019 Plested D10/104.1
 D859,662 S * 9/2019 Lockenwitz D24/174
 D895,569 S * 9/2020 Roberts D14/205

* cited by examiner

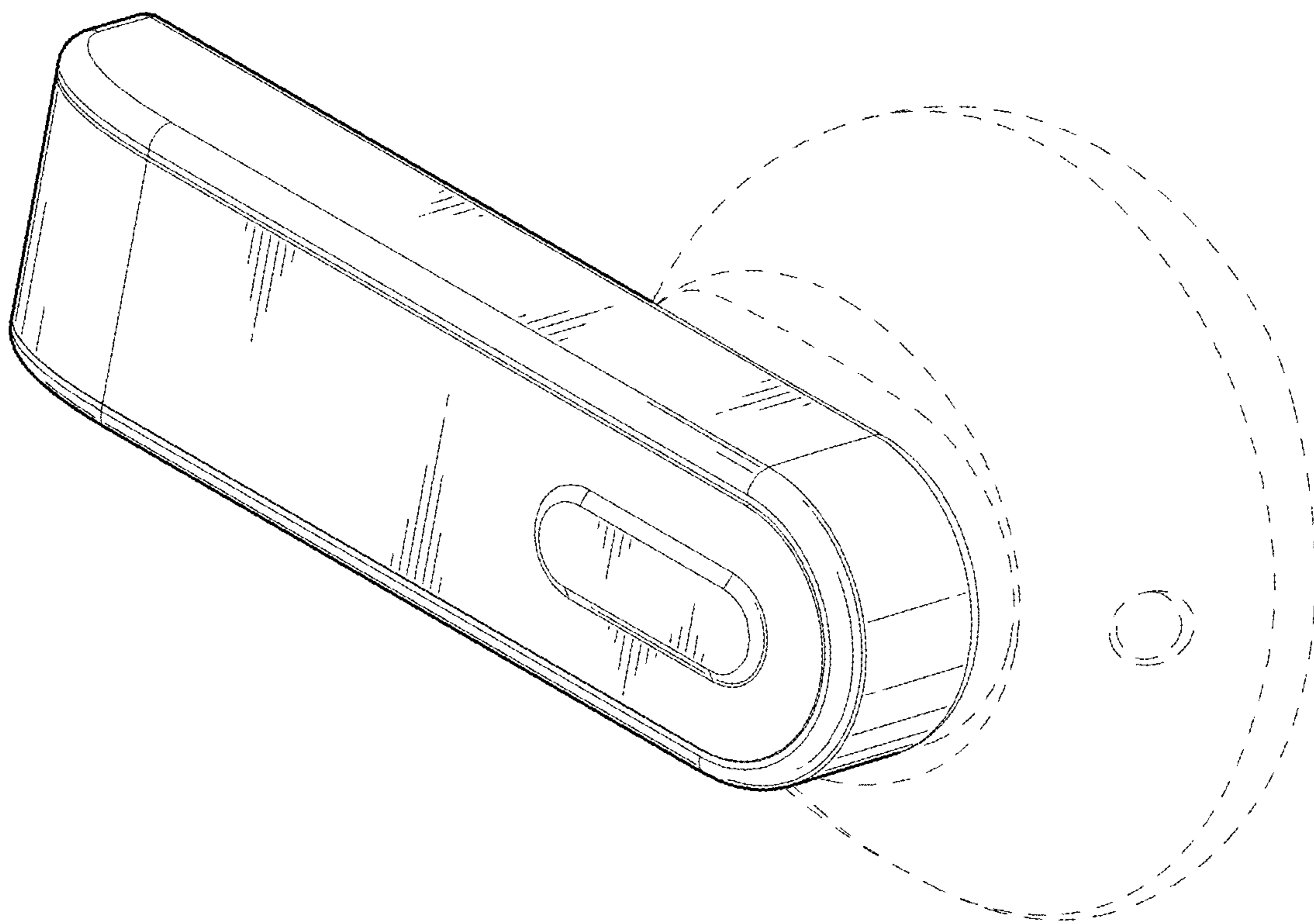


FIG. 1

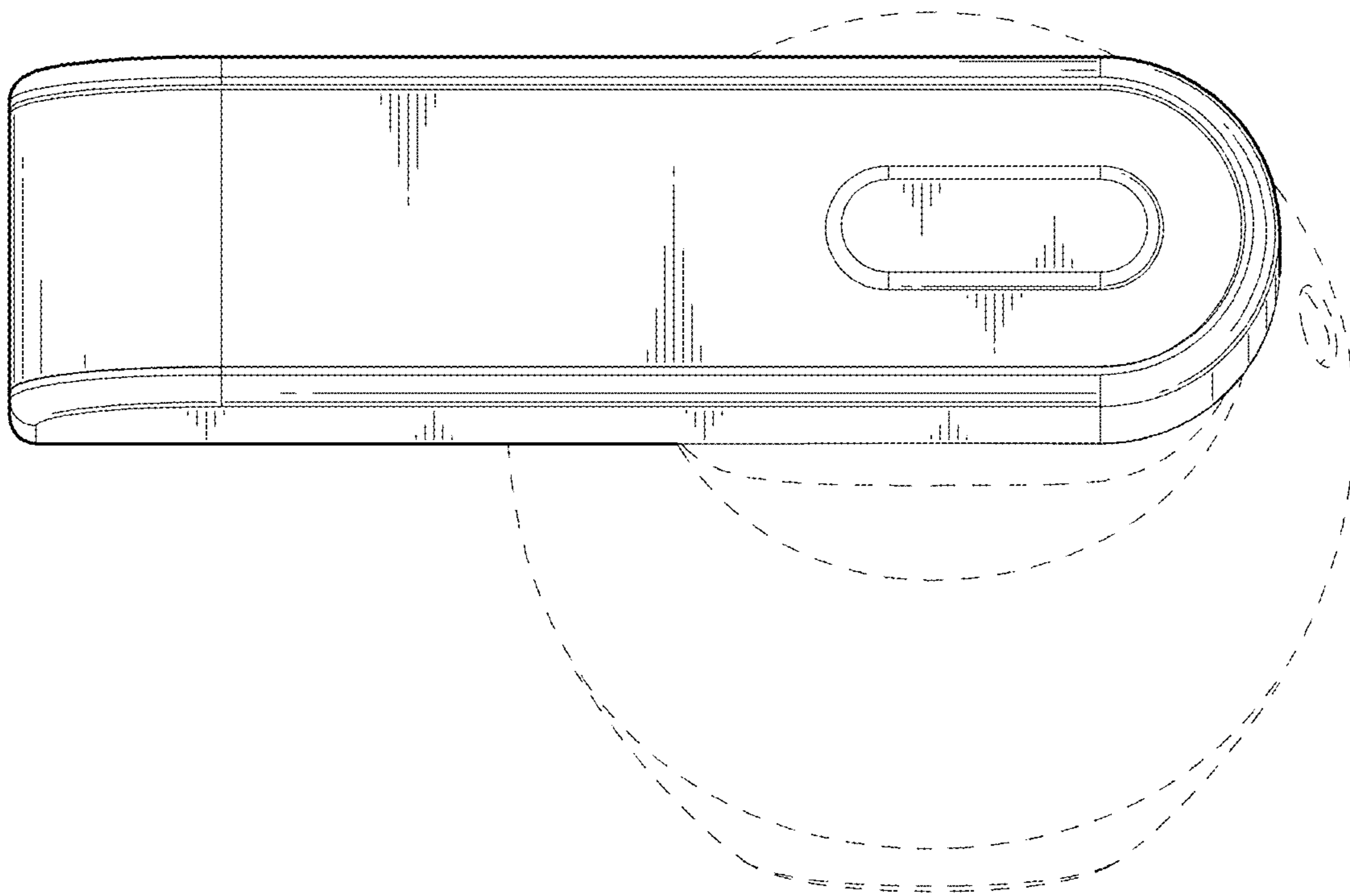


FIG. 2

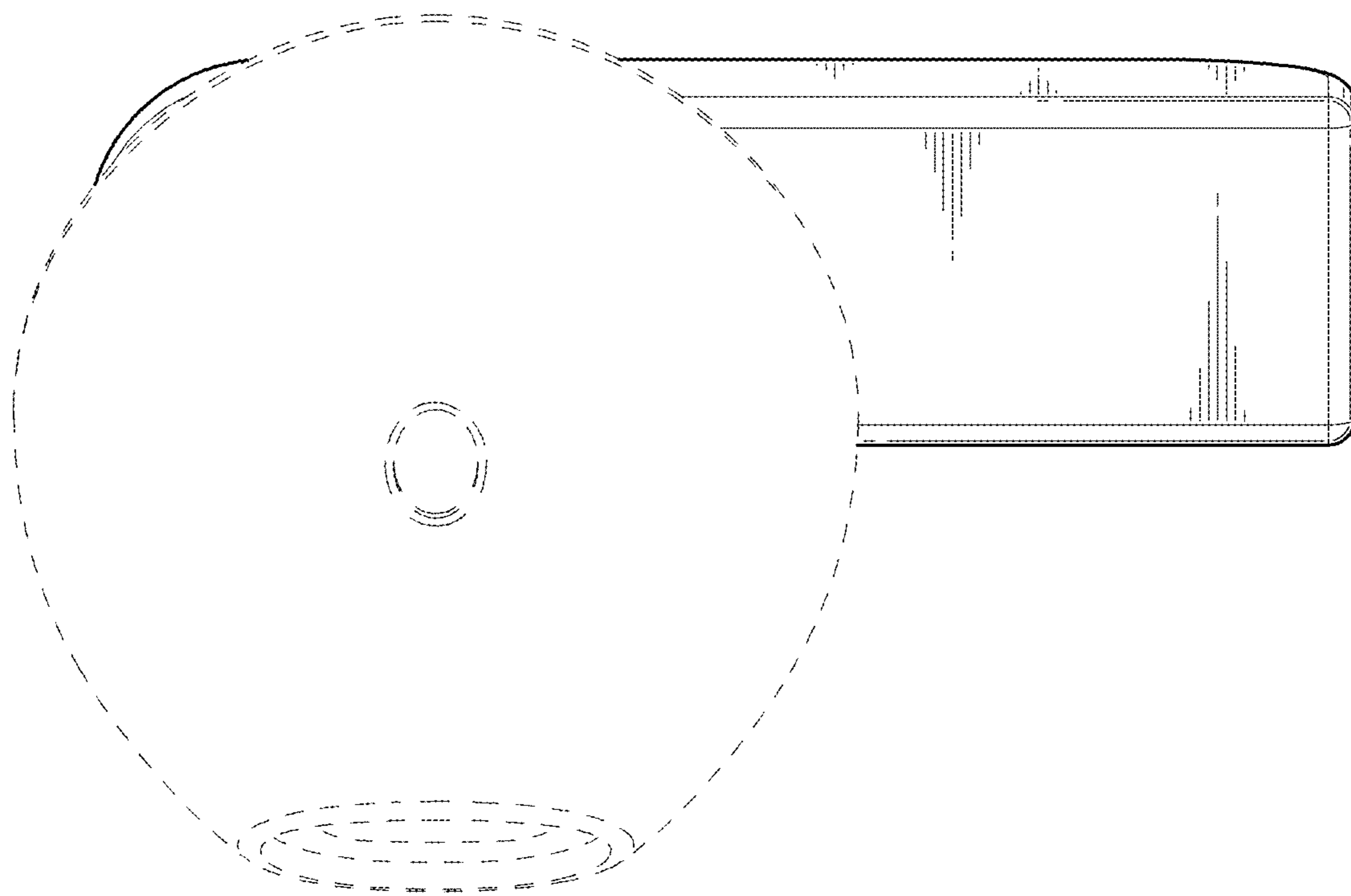


FIG. 3

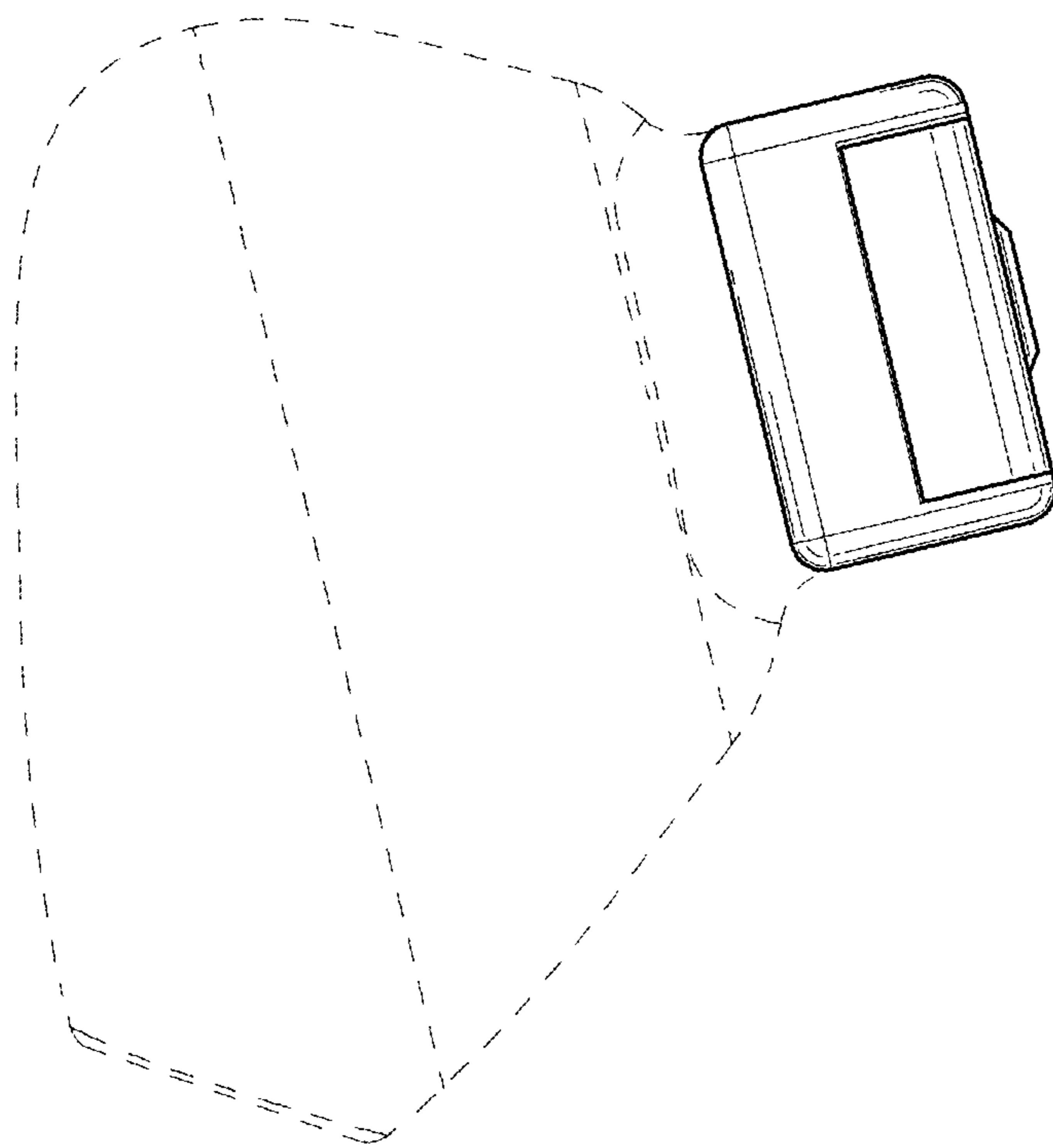


FIG. 4

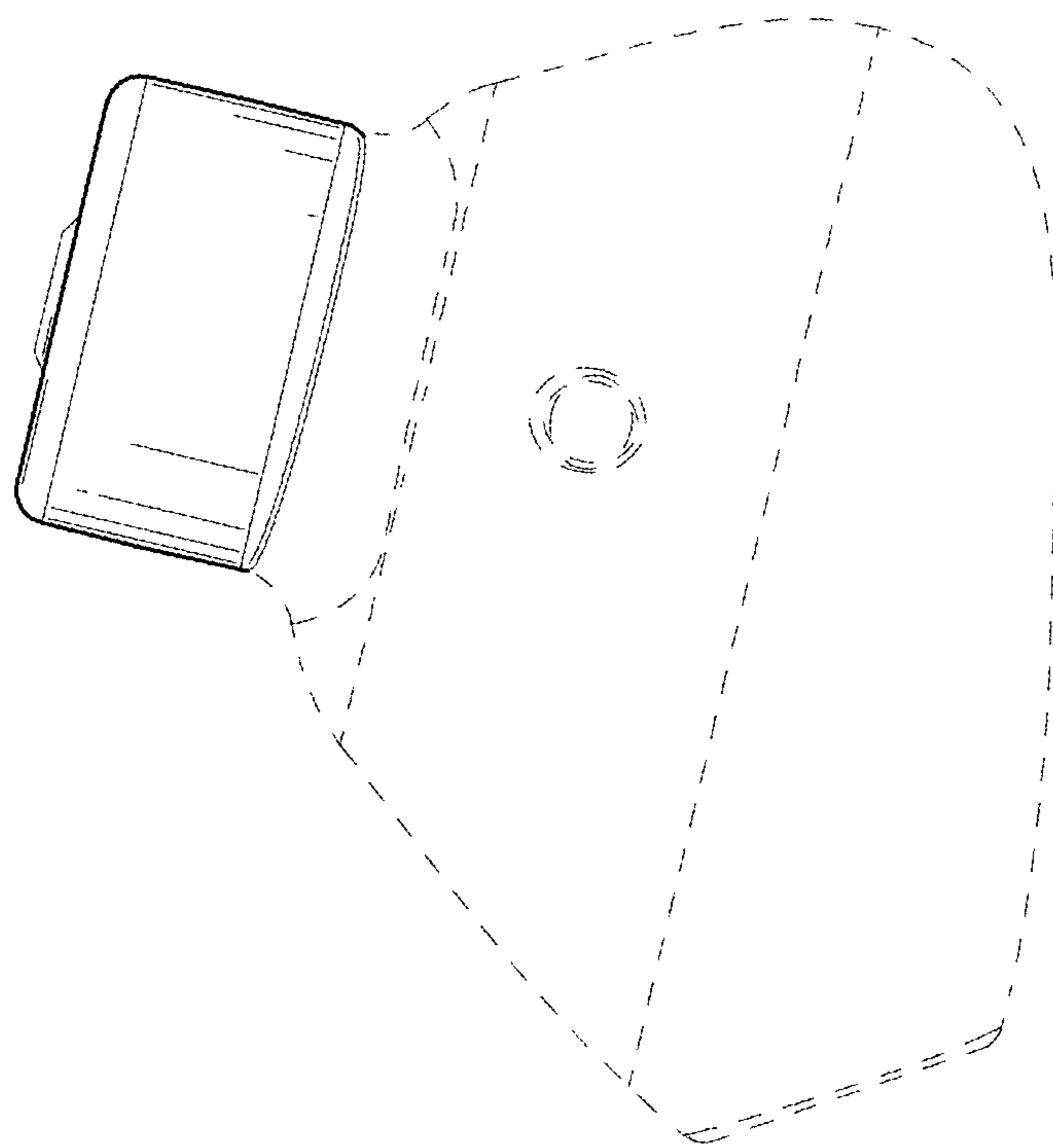


FIG. 5

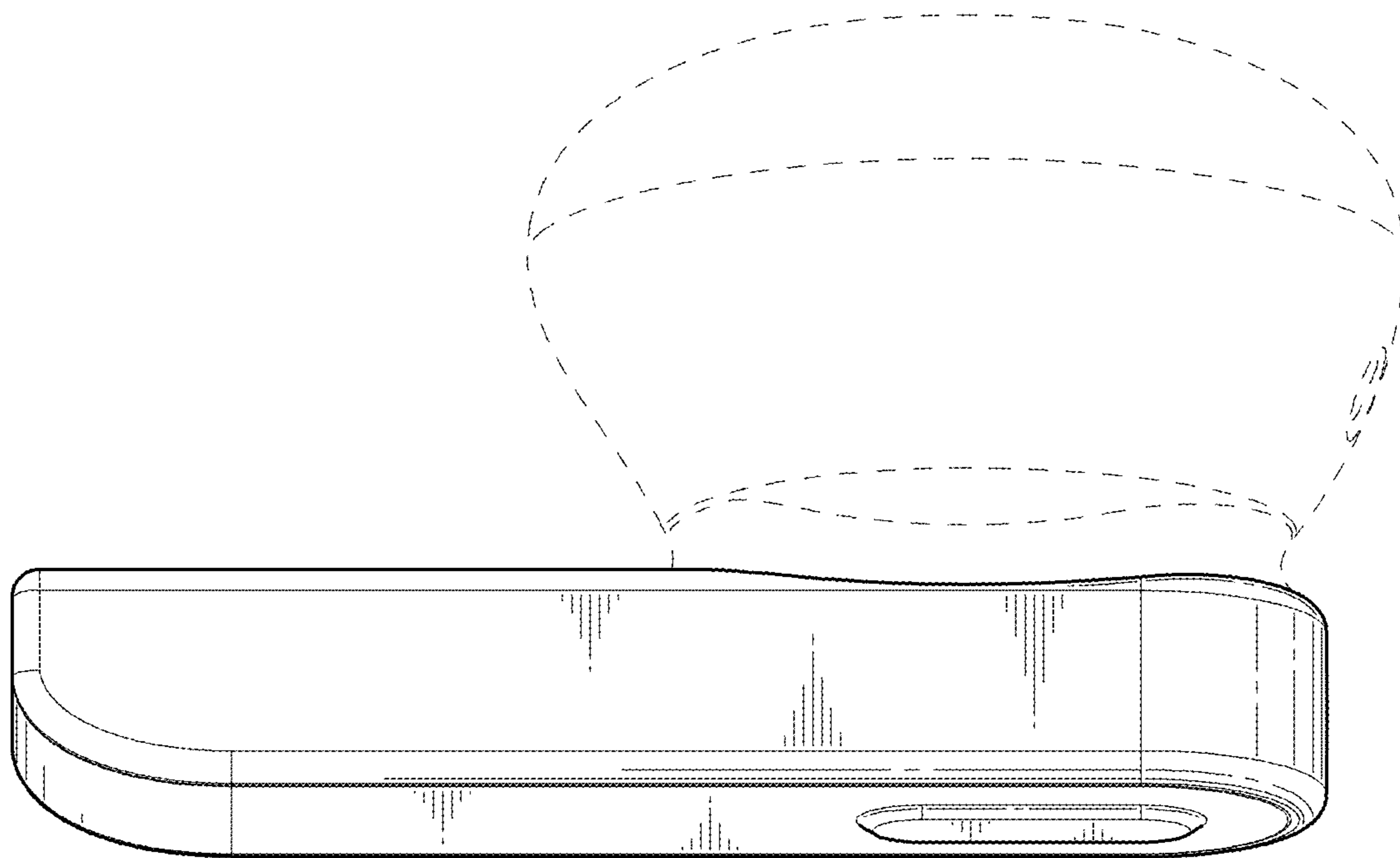


FIG. 6

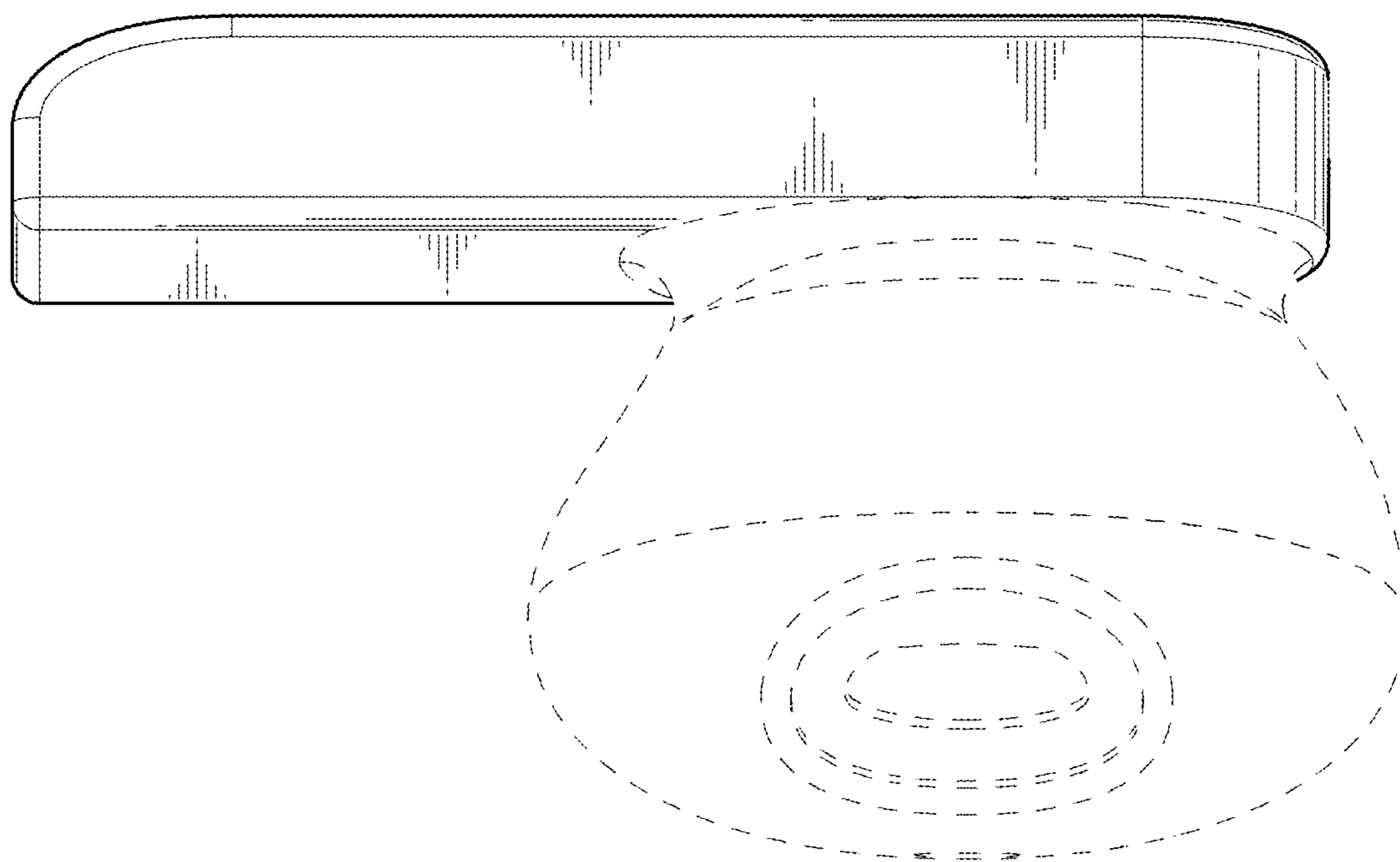


FIG. 7