



US00D925494S

(12) **United States Design Patent**
Zhang

(10) **Patent No.:** **US D925,494 S**

(45) **Date of Patent:** **** Jul. 20, 2021**

(54) **WIRELESS EARBUD WITH PACKAGE BOX**

Primary Examiner — Barbara Fox
Assistant Examiner — Aram Kwon

(71) Applicant: **Shuoling Zhang**, Shenzhen (CN)

(72) Inventor: **Shuoling Zhang**, Shenzhen (CN)

(57) **CLAIM**

(73) Assignee: **Shenzhen Chuangshenyuan Technology Co., Ltd.**, Shenzhen (CN)

The ornamental design for a wireless earbud with package box, as shown and described.

(**) Term: **15 Years**

DESCRIPTION

(21) Appl. No.: **29/718,525**

(22) Filed: **Dec. 26, 2019**

(51) **LOC (13) Cl.** **14-01**

(52) **U.S. Cl.**

USPC **D14/223**

(58) **Field of Classification Search**

USPC D14/155–173, 187–188, 203.1–203.8,
D14/204–222, 223, 225–229, 496;
D13/107, 108, 110, 118, 184, 199

CPC H04R 1/02; H04R 1/021; H04R 1/023;
H04R 5/00; H04R 9/06; H04R 2420/07

See application file for complete search history.

FIG. 1 is a front perspective view of the earbud portion of a wireless earbud with package box showing the new design, shown separately to show aspects of the design that are not visible when combined;

FIG. 2 is a rear perspective view thereof;

FIG. 3 is a front elevational view thereof;

FIG. 4 is a rear elevational view thereof;

FIG. 5 is a left side elevational view thereof;

FIG. 6 is a right side elevational view thereof;

FIG. 7 is a top plan view thereof; and

FIG. 8 is a bottom plan view thereof.

FIG. 9 is a front perspective view of the package box portion of the wireless earbud with package box, shown separately to show aspects of the design that are not visible when combined;

FIG. 10 is a rear perspective view thereof;

FIG. 11 is a front elevational view thereof;

FIG. 12 is a rear elevational view thereof;

FIG. 13 is a left side elevational view thereof;

FIG. 14 is a right side elevational view thereof;

FIG. 15 is a top plan view thereof; and

FIG. 16 is a bottom plan view thereof.

FIG. 17 is a perspective view of the wireless earbud with package box shown with all aspects of the design combined; and,

FIG. 18 is a perspective view of the wireless earbud with package box, shown in a closed state.

The broken lines in the figures depict portions of the wireless earbud with package box that form no part of the claimed design.

(56) **References Cited**

U.S. PATENT DOCUMENTS

D620,257 S * 7/2010 Fujimura D3/294

D731,793 S * 6/2015 Houghton D3/294

D801,952 S * 11/2017 Lian D14/223

D863,264 S * 10/2019 Zhang D14/223

(Continued)

FOREIGN PATENT DOCUMENTS

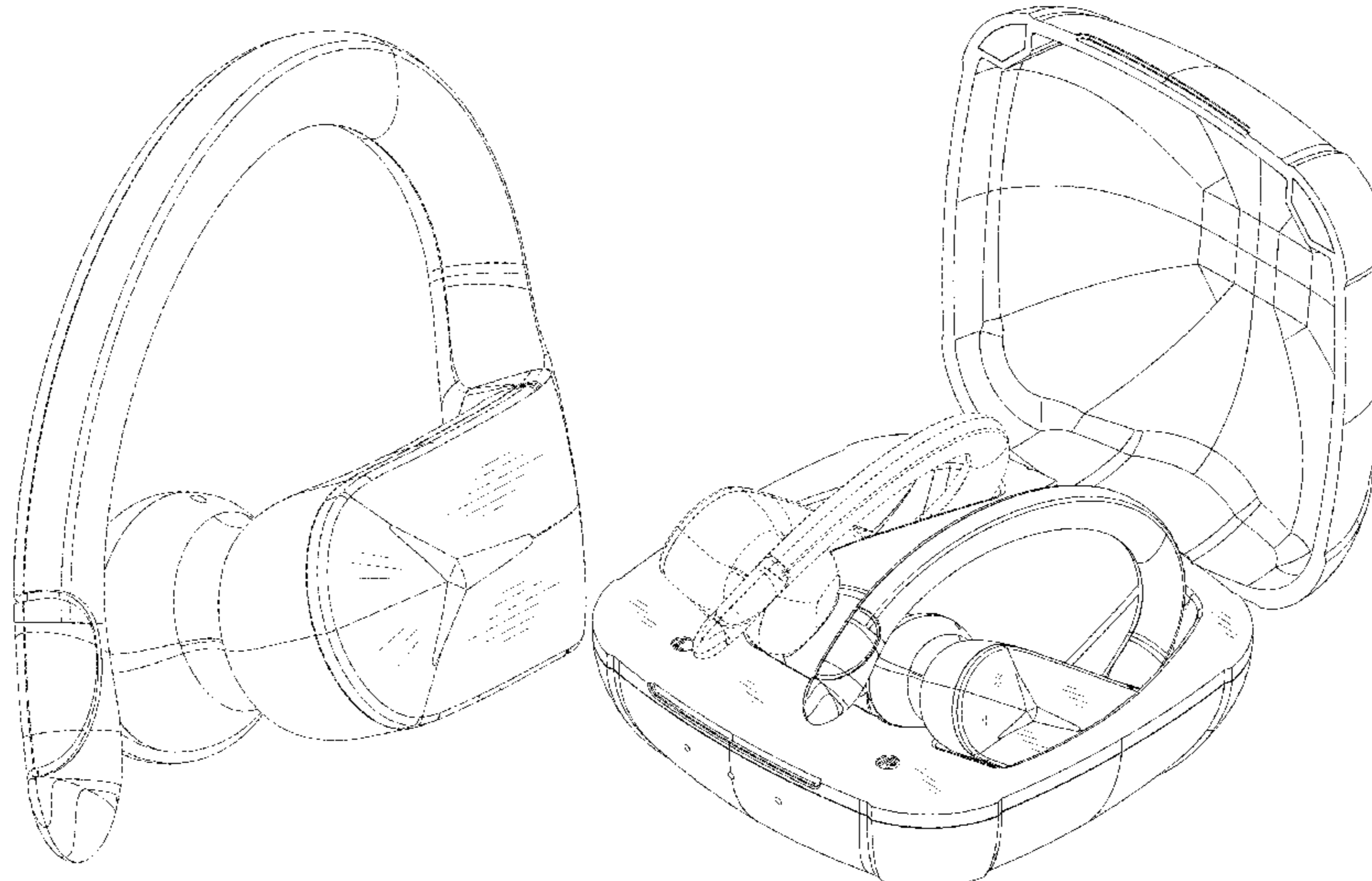
CN 305687895 * 4/2020

OTHER PUBLICATIONS

2020 Amazon 258 Ear Hook, date not available, [retrieved Jan. 13, 2021], Retrieved from Internet, URL: <https://www.alibaba.com/product-detail/2020-Amazon-258-Ear-Hook-LED_60817607434.html> (Year: 2020).*

(Continued)

1 Claim, 18 Drawing Sheets



(56)

References Cited

U.S. PATENT DOCUMENTS

D878,338 S * 3/2020 Yang D14/223
 D883,259 S * 5/2020 Ma D14/223
 D888,664 S * 6/2020 Ma D13/108
 10,701,472 B1 * 6/2020 Xu H02J 7/0044
 D890,696 S * 7/2020 Sweet D13/108
 D890,725 S * 7/2020 Liu D14/223
 D897,320 S * 9/2020 Boyd D14/223
 D897,678 S * 10/2020 Koh D3/294
 D897,997 S * 10/2020 Zhang D14/223
 D899,406 S * 10/2020 Ma D14/223
 D902,891 S * 11/2020 Liu D14/223
 D904,761 S * 12/2020 Koneru D3/274
 D904,762 S * 12/2020 Koneru D3/274
 D904,763 S * 12/2020 Koneru D3/274
 D904,901 S * 12/2020 Koneru D9/721
 D905,002 S * 12/2020 Koneru D14/205
 D907,608 S * 1/2021 Xie D14/223
 2020/0216228 A1 * 7/2020 Wang B65D 25/04

OTHER PUBLICATIONS

TWS Wireless Earbuds, date available: Mar. 3, 2017, [retrieved Jan. 13, 2021], Retrieved from Internet, URL: <<https://www.amazon.com/Bluetooth-Wireless-Earpiece-Headphones-Microphone/dp/B06XCNR3X>> (Year: 2017).*

Bluetooth earbuds V5.0, date not available, [retrieved Jan. 13, 2021], Retrieved from Internet, URL: <<https://www.globalsources.com/Wireless-earphone/TWS-Bluetooth-5-0-earphone-1180594459p.htm#1180594459>> (Year: 2020).*

LG Velvet TWS Bluetooth Headphones, date not available, [retrieved Jan. 13, 2021], Retrieved from Internet, URL: <https://uzid.com/collections/lg-velvet/products/tws-earphones-led-display?gclid=EAIaIQobChMI-l6p1tyZ7glV0PJBx0s6Aj4EAQYASABEgKiwD_BwE> (Year: 2020).*

TWS Earphones Wireless Earbuds, date not available, [retrieved Jan. 13, 2021], Retrieved from Internet, URL: <<https://www.ebay.com/itm/TWS-EARPHONES-WIRELESS-EARBUDS-HEADPHONES-CHARGING-CASE-T2E-for-Smartphones-/153741345595>> (Year: 2020).*

Wireless Bluetooth Earphones, date not available, [retrieved Jan. 13, 2021], Retrieved from Internet, URL: <https://www.wish.com/product/5e6b2ce8f983ef4878aa950a?hide_login_modal=true&from_ad=goog_shopping&_display_country_code=US&_force_c%E2%80%A6&share=web> (Year: 2020).*

* cited by examiner

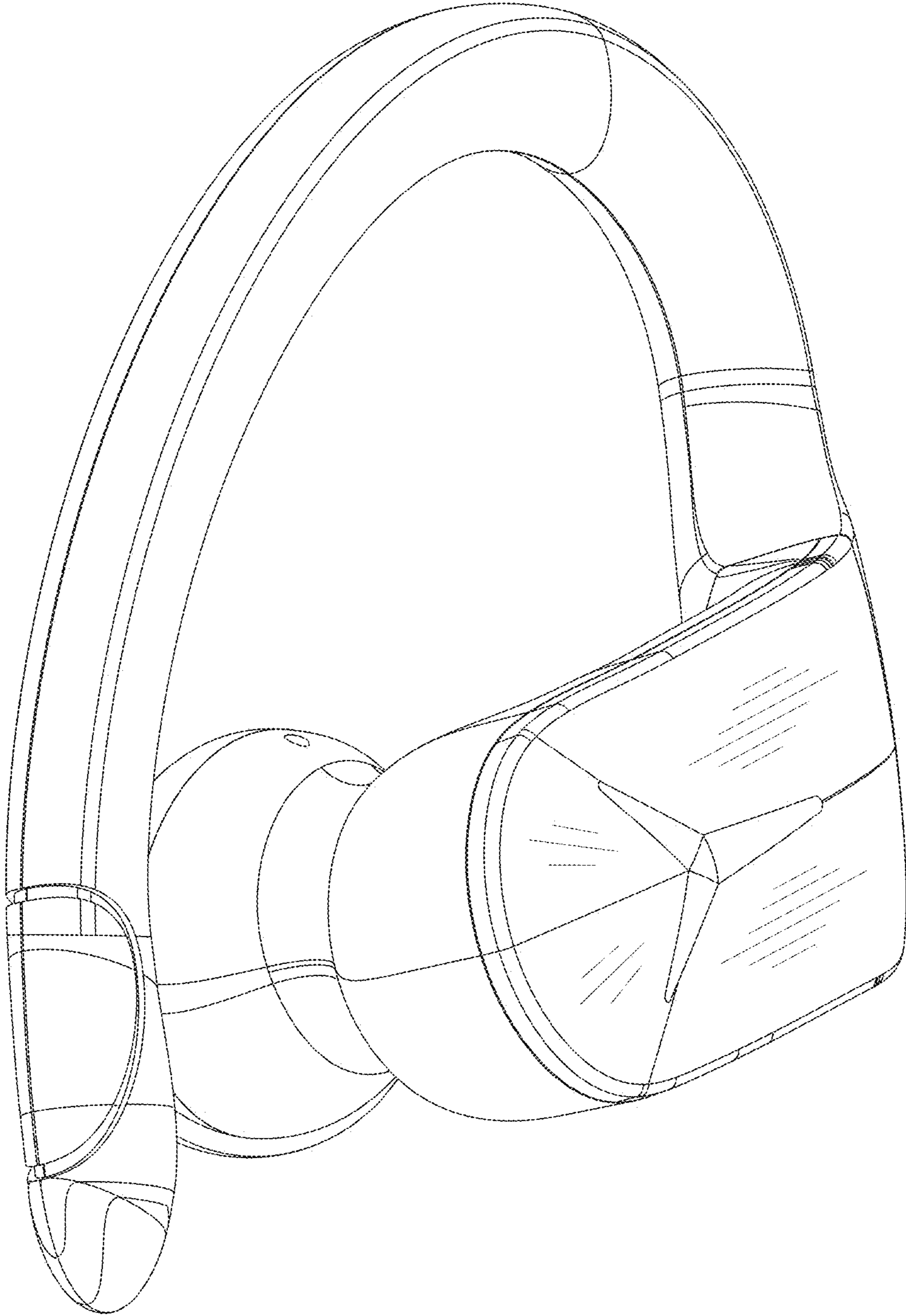


FIG. 1

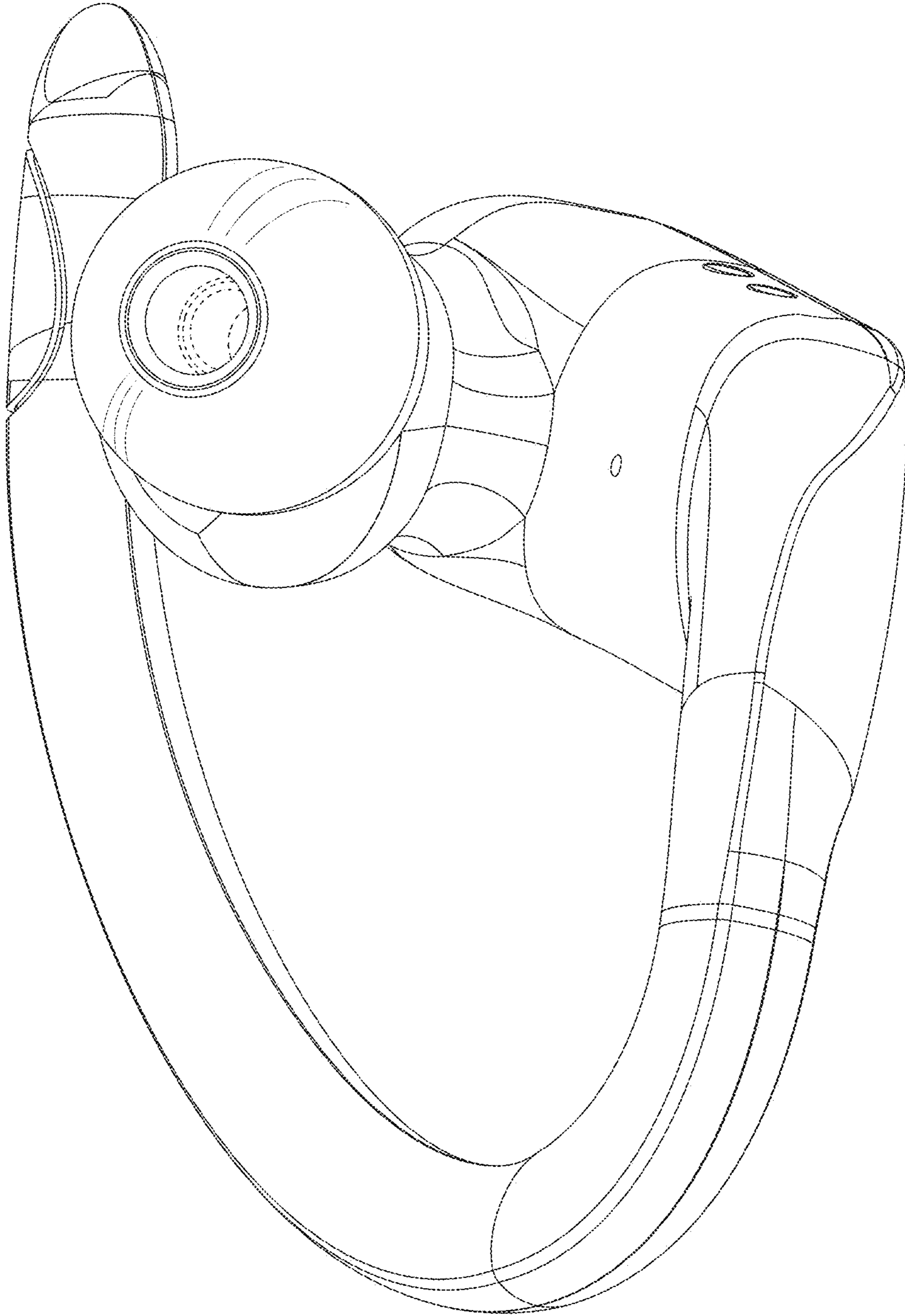


FIG. 2

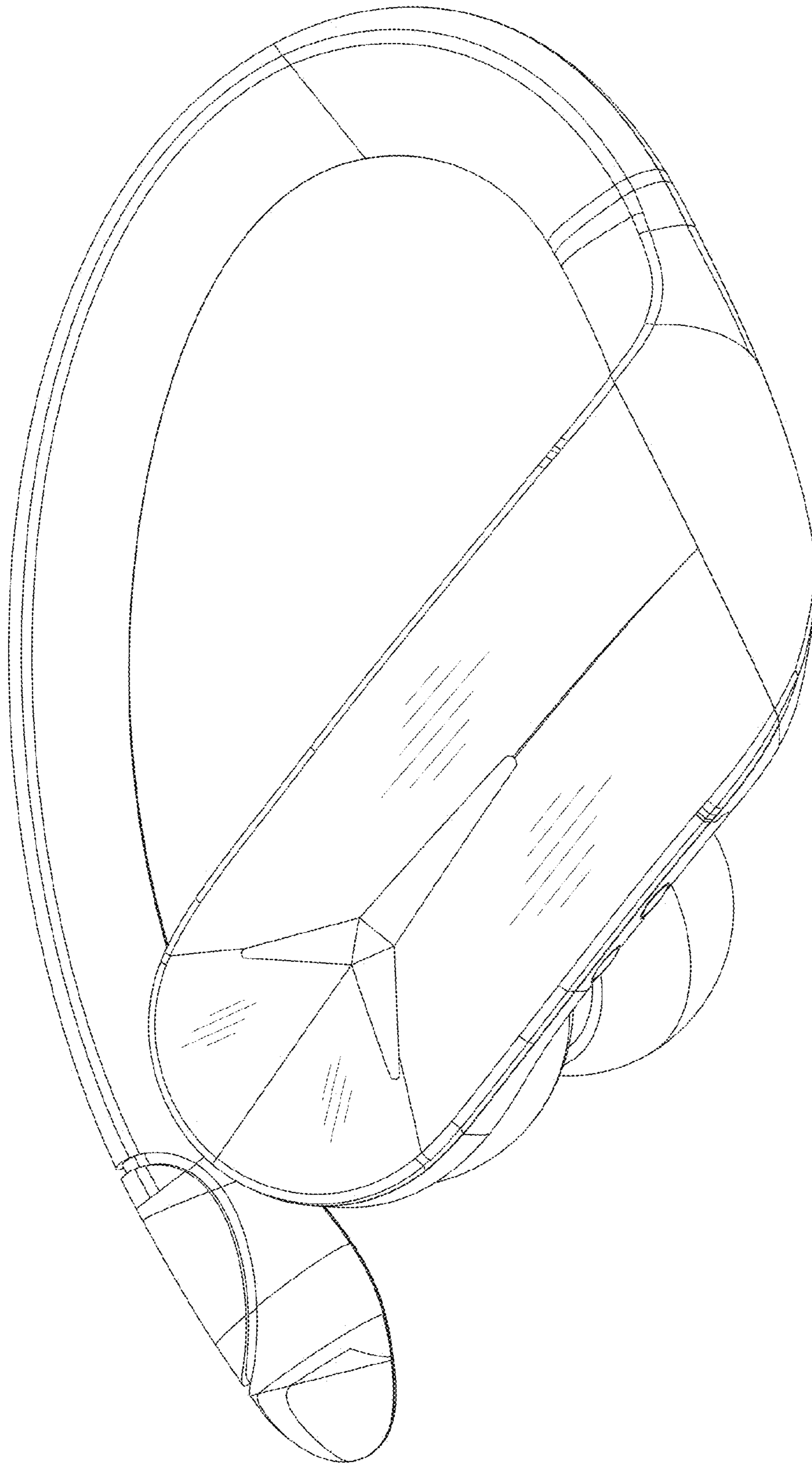


FIG. 3

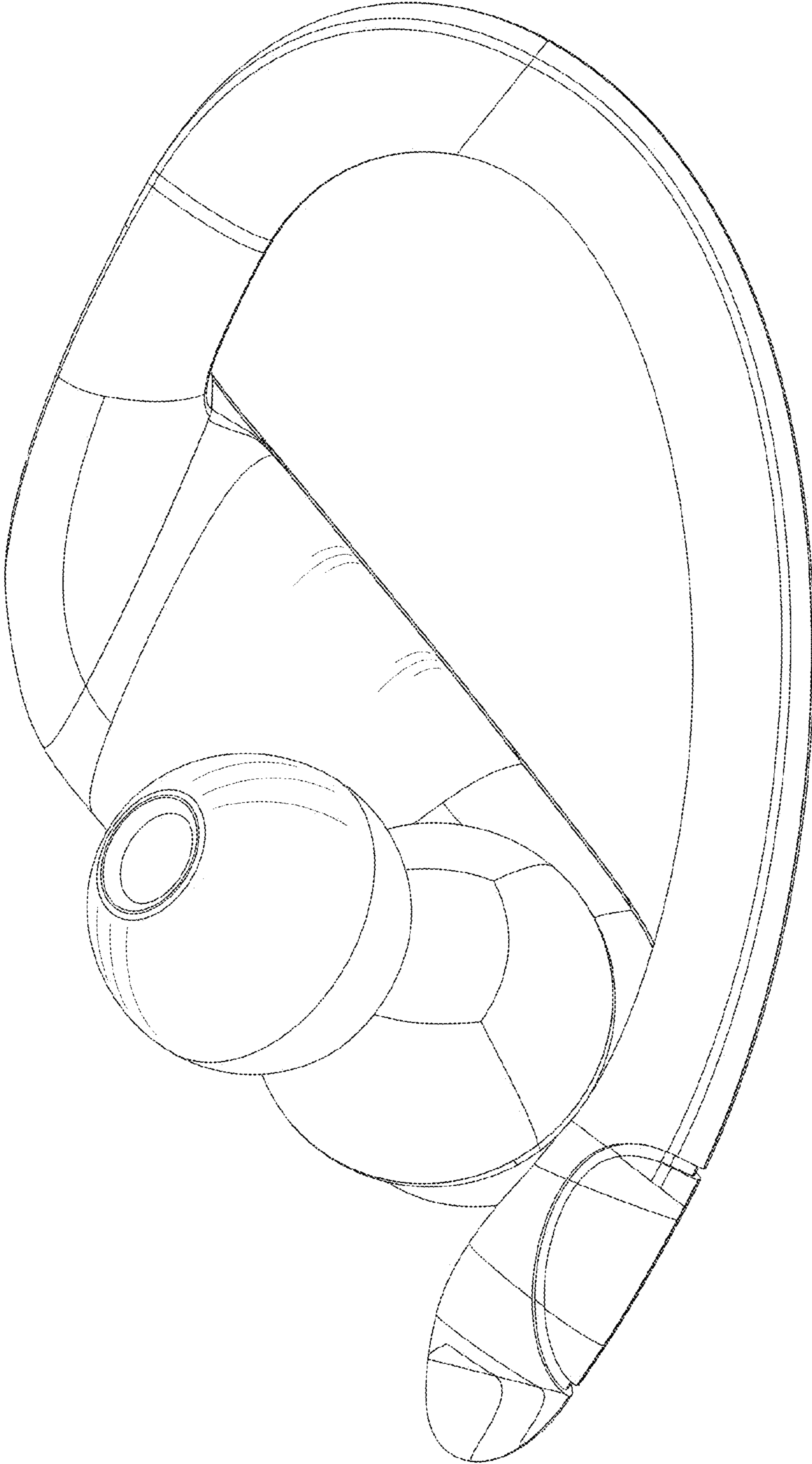


FIG. 4



FIG. 5

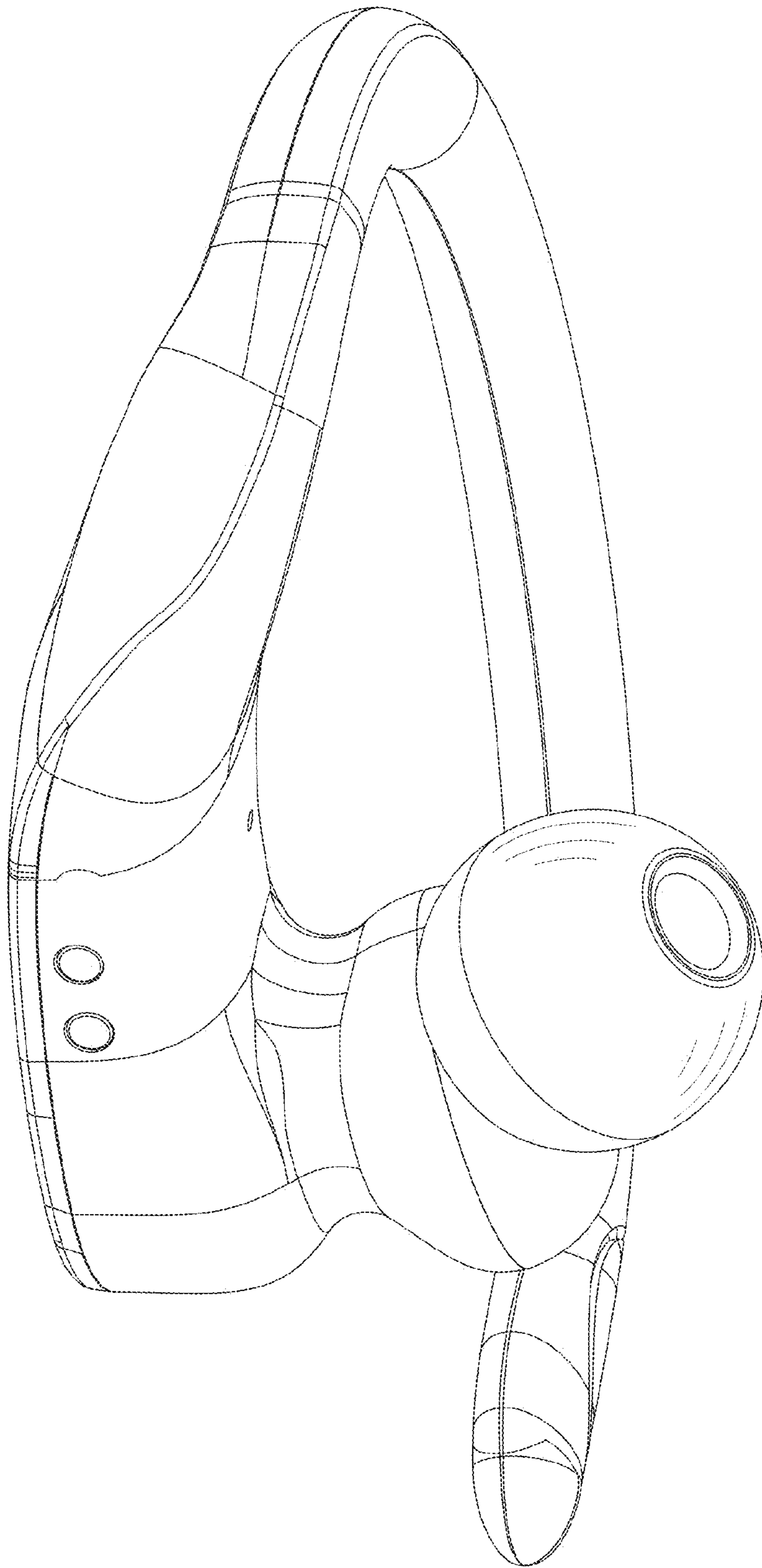


FIG. 6

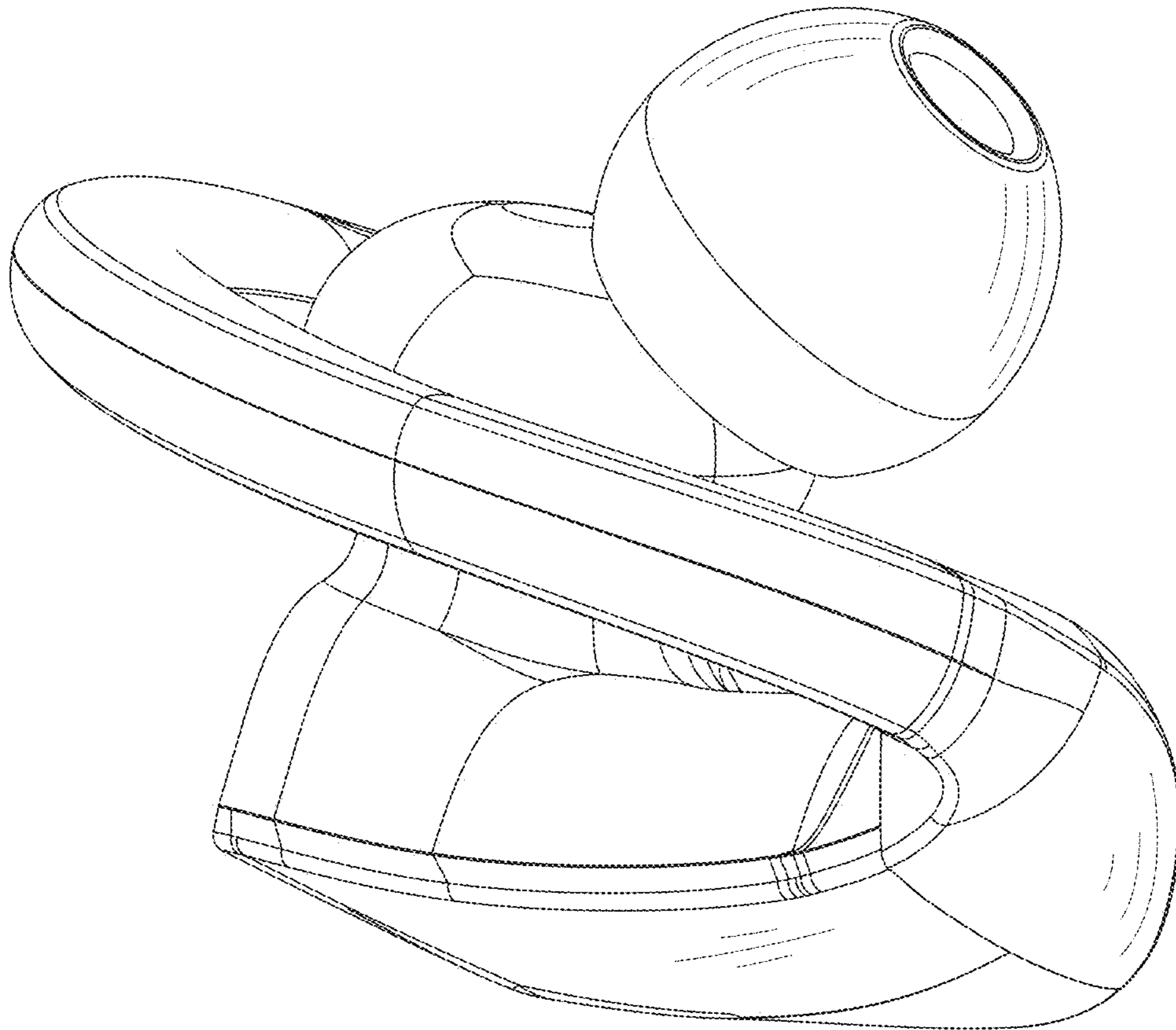


FIG. 7

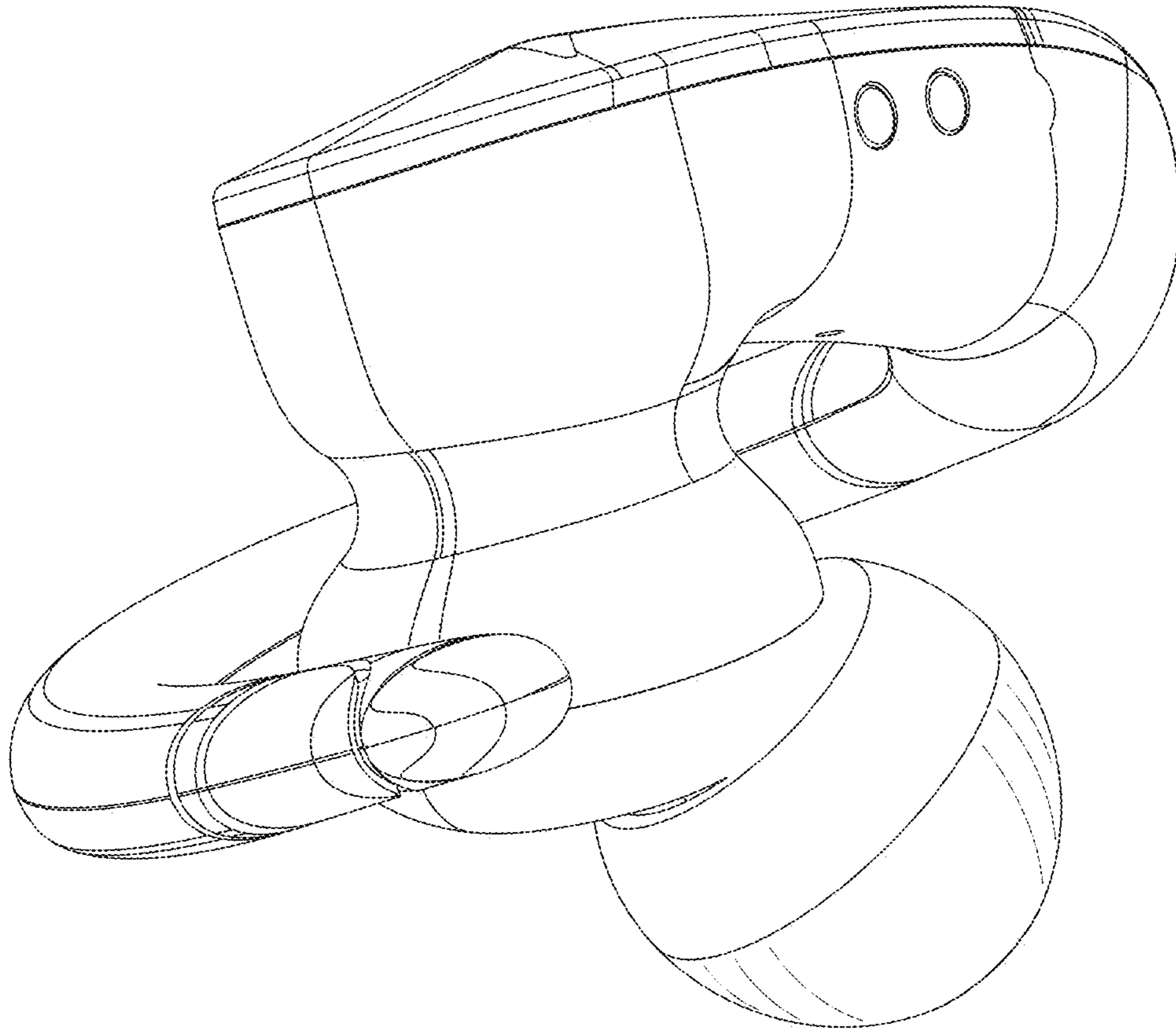


FIG. 8

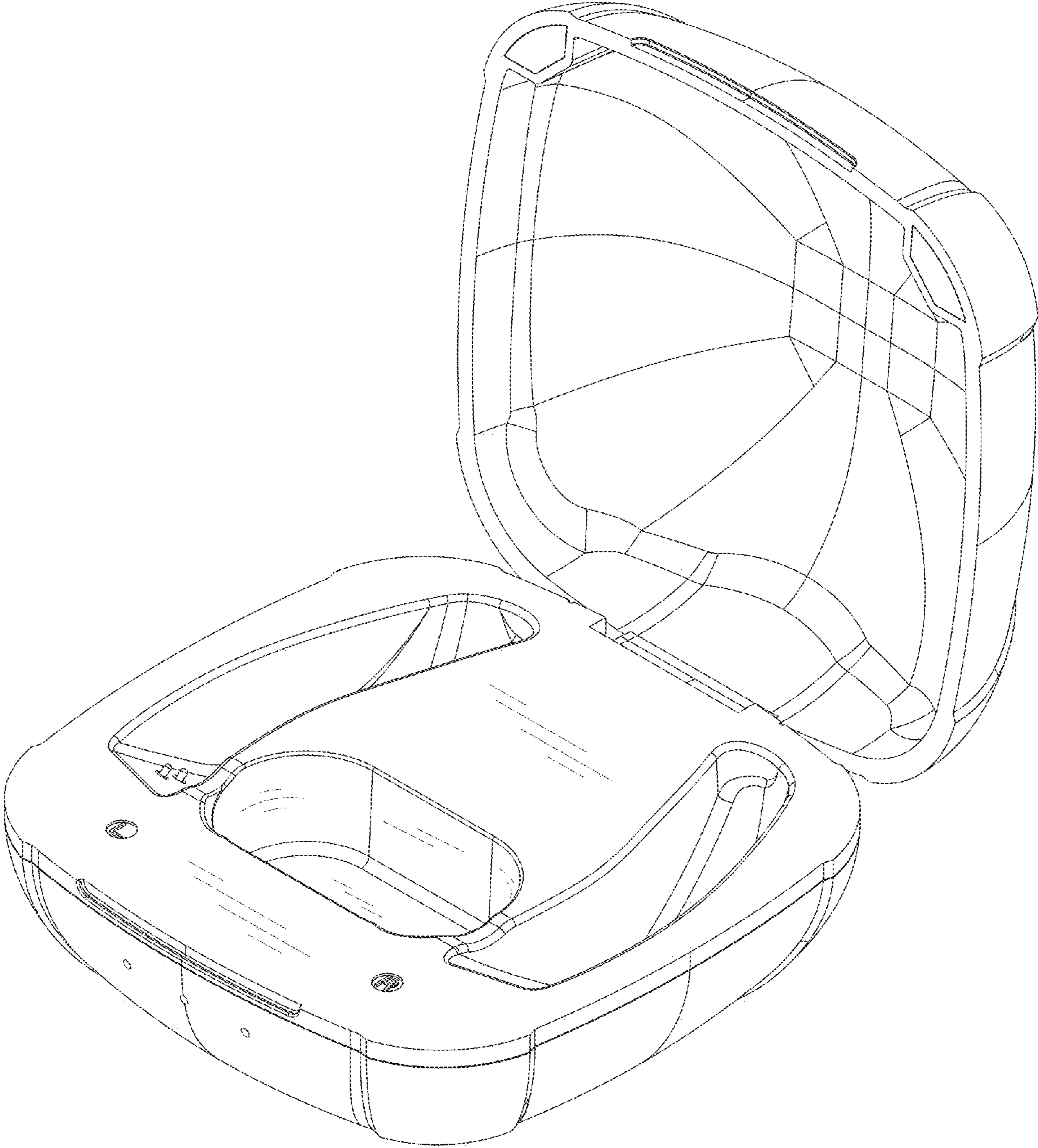


FIG. 9

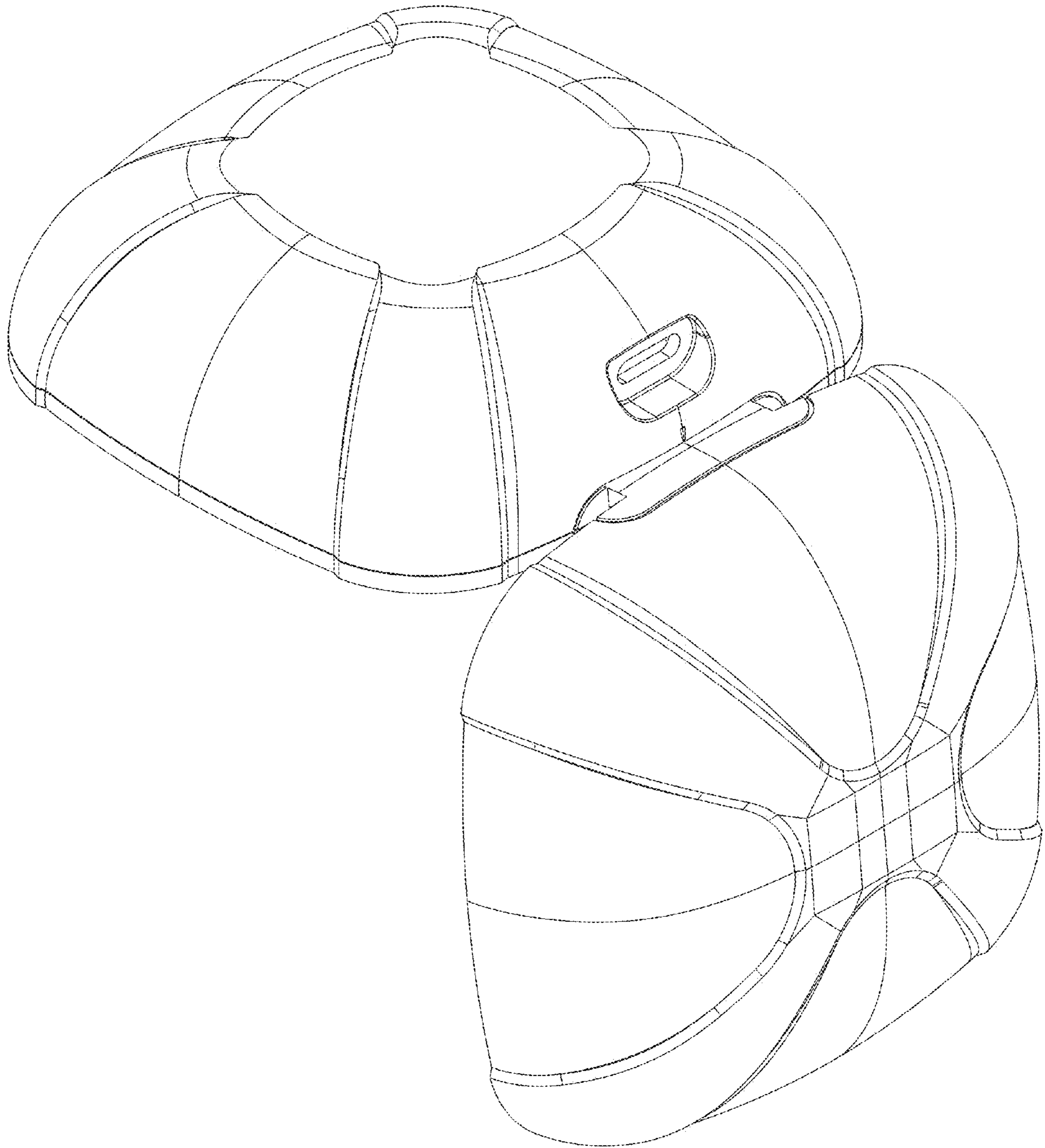


FIG. 10

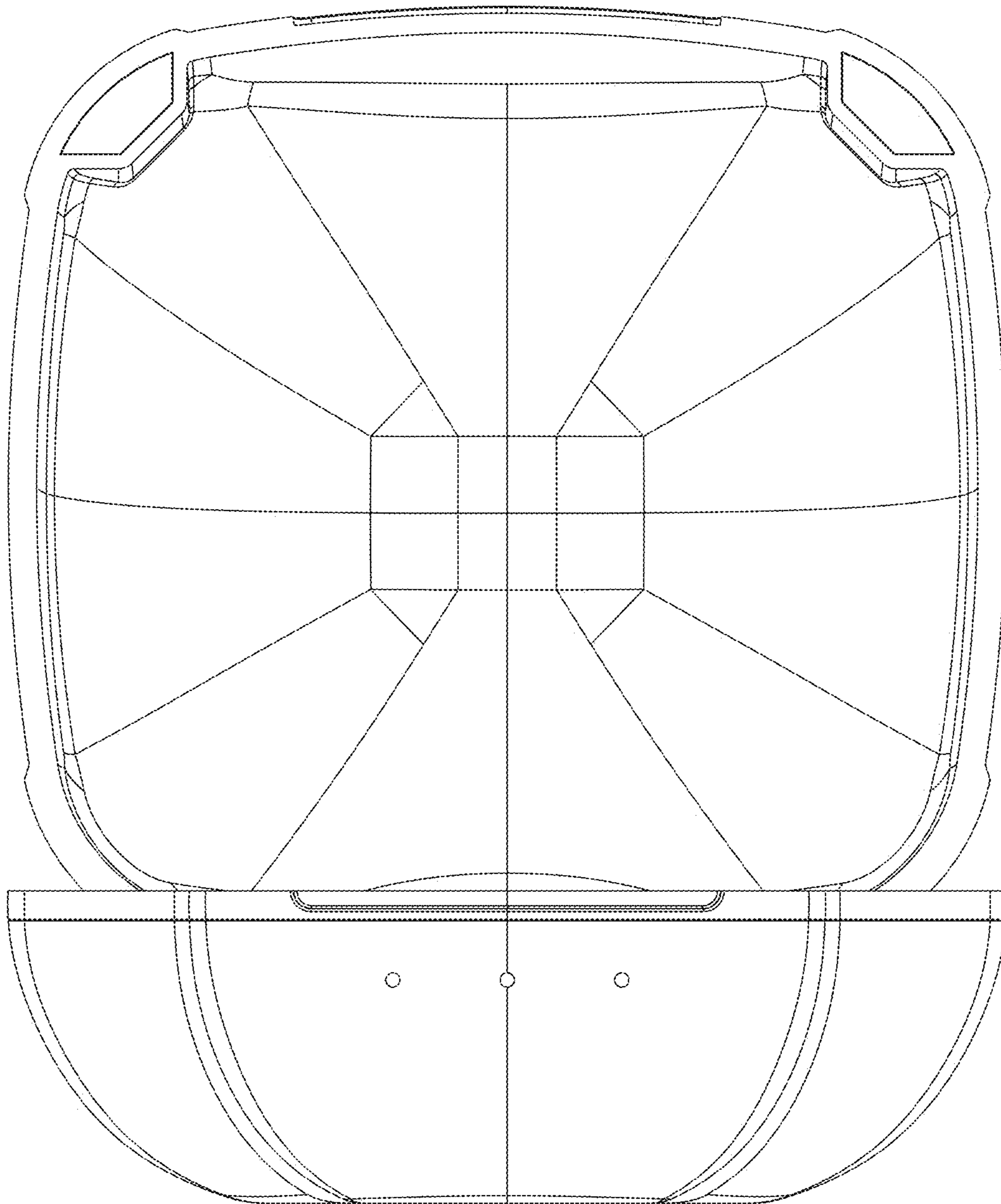


FIG. 11

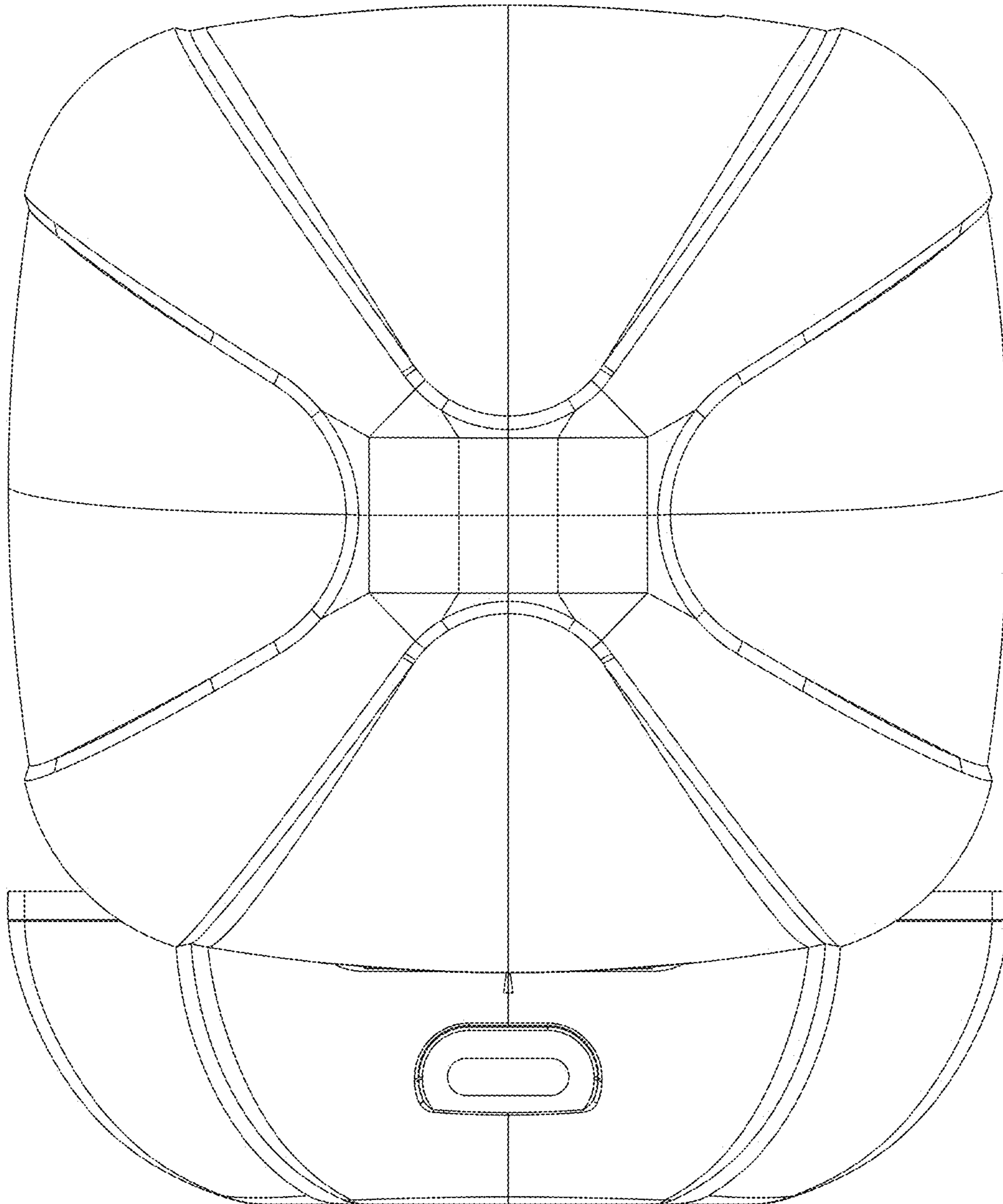


FIG. 12

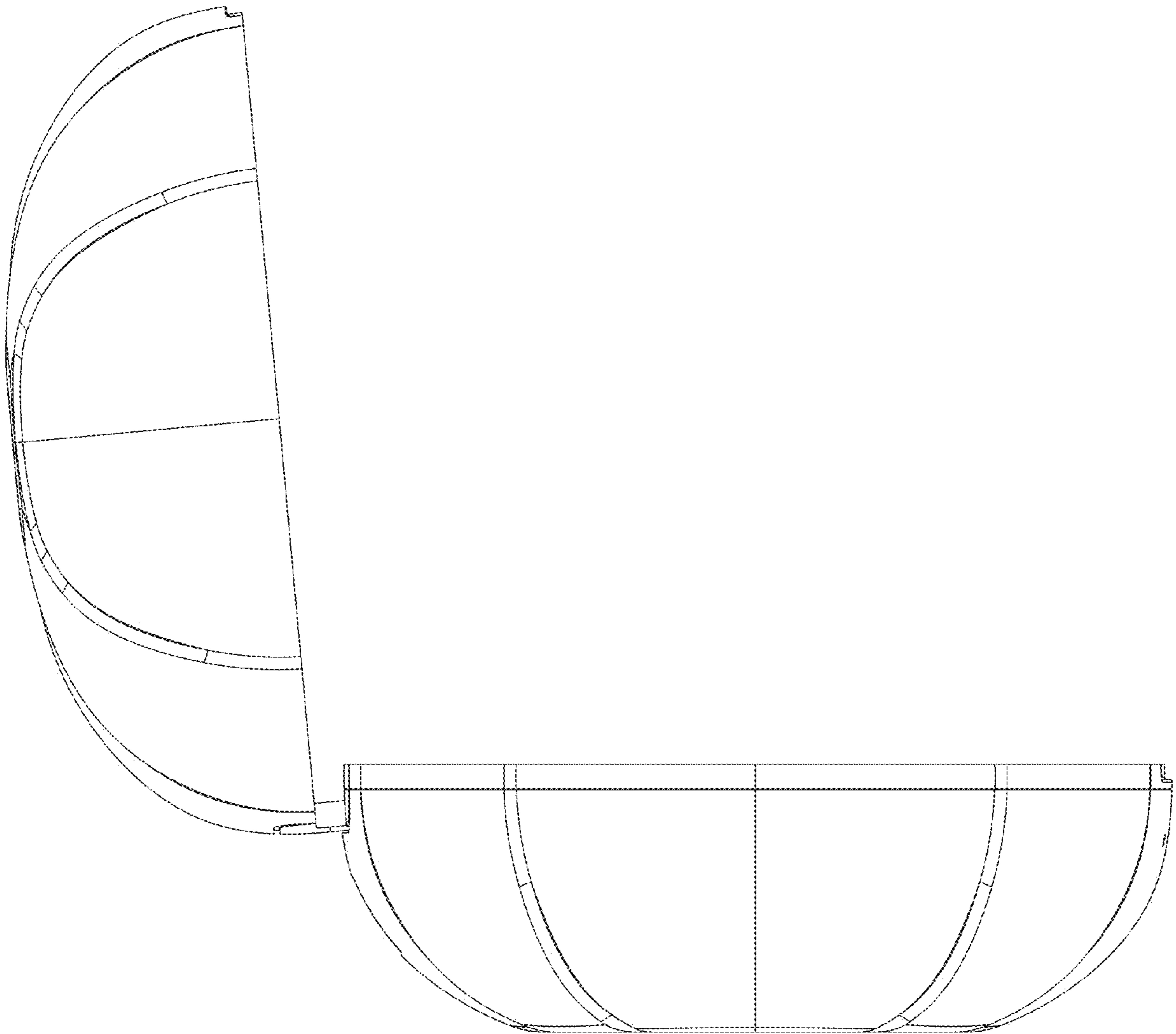


FIG. 13

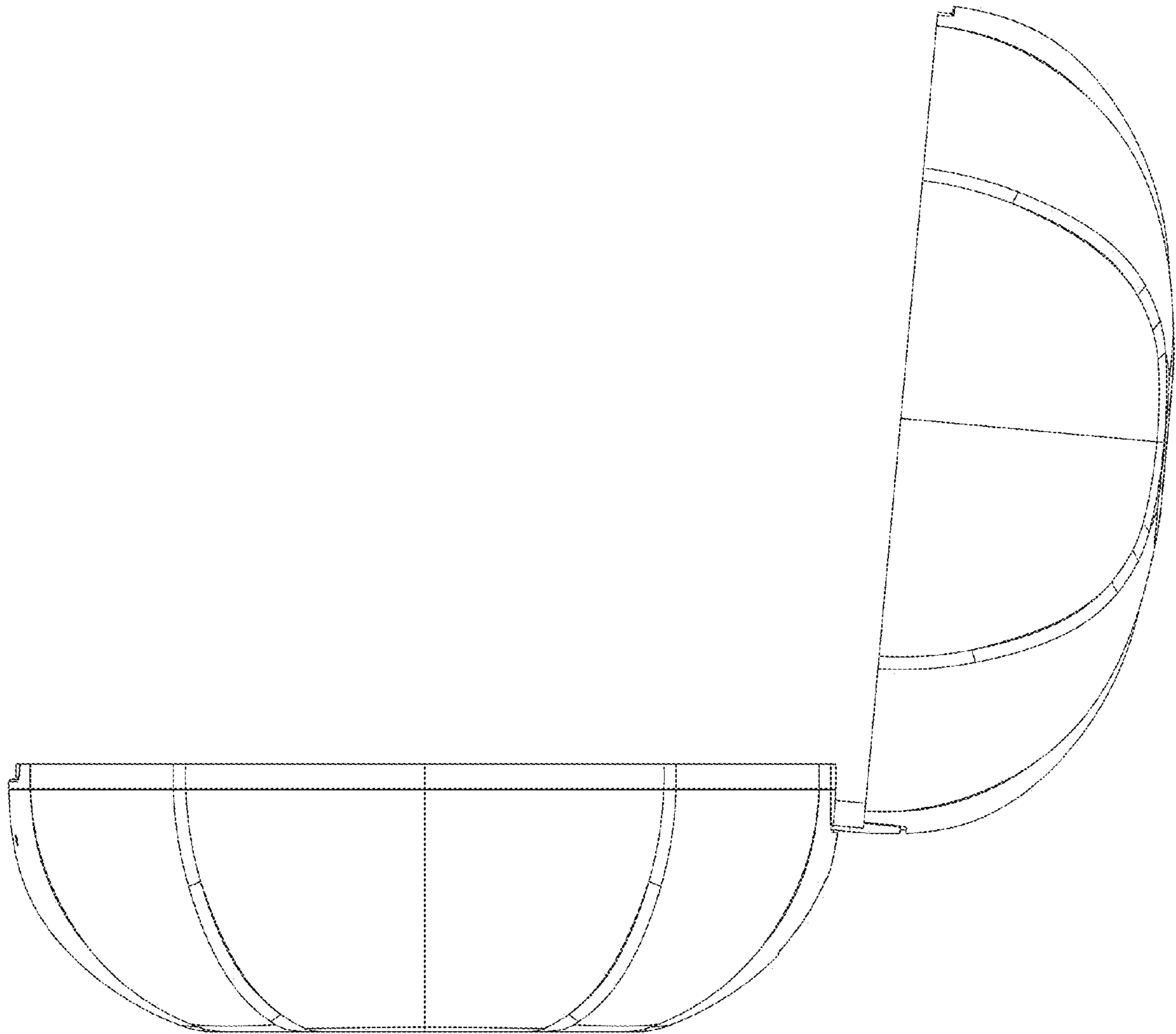


FIG. 14

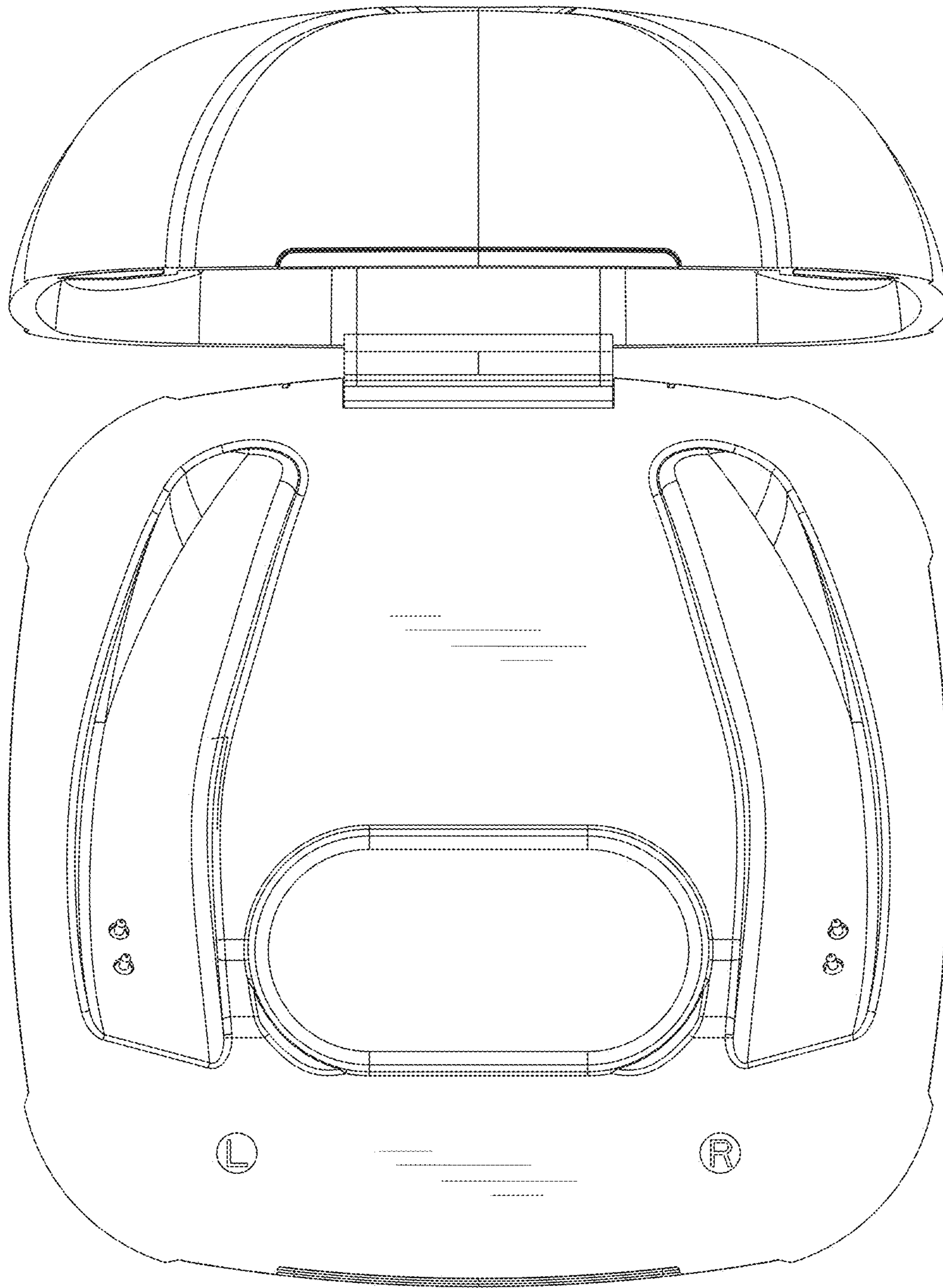


FIG. 15

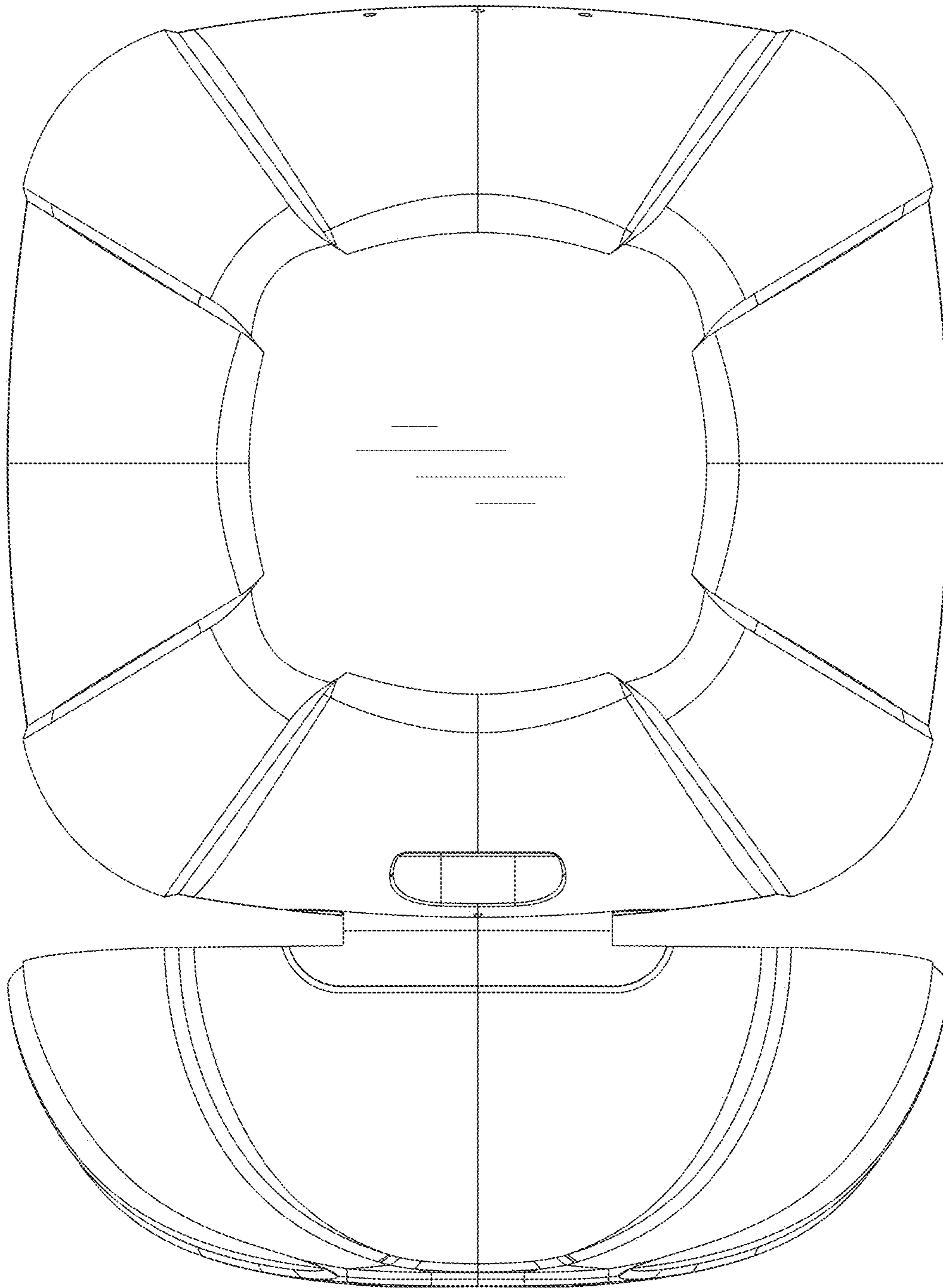


FIG. 16

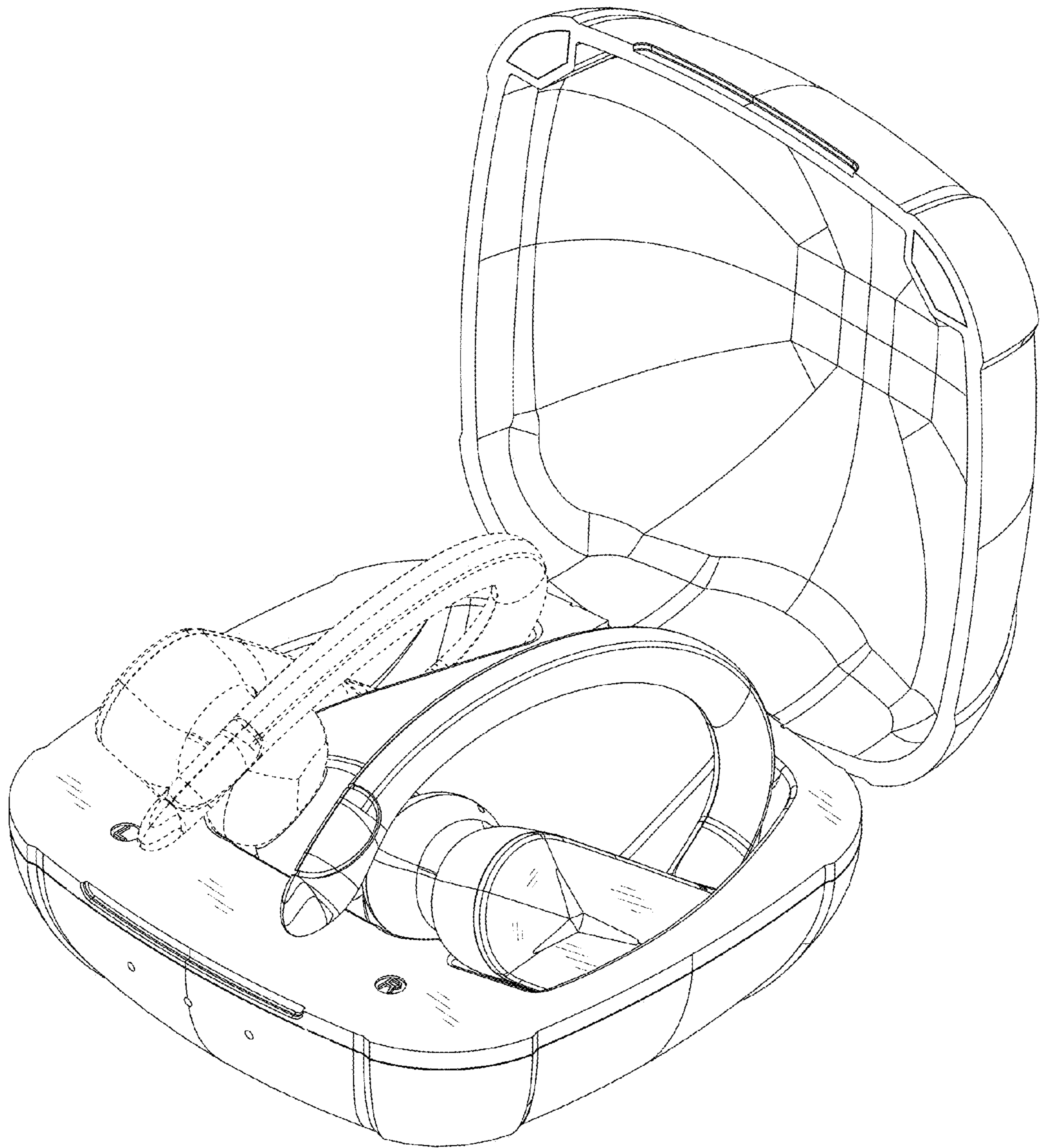


FIG. 17

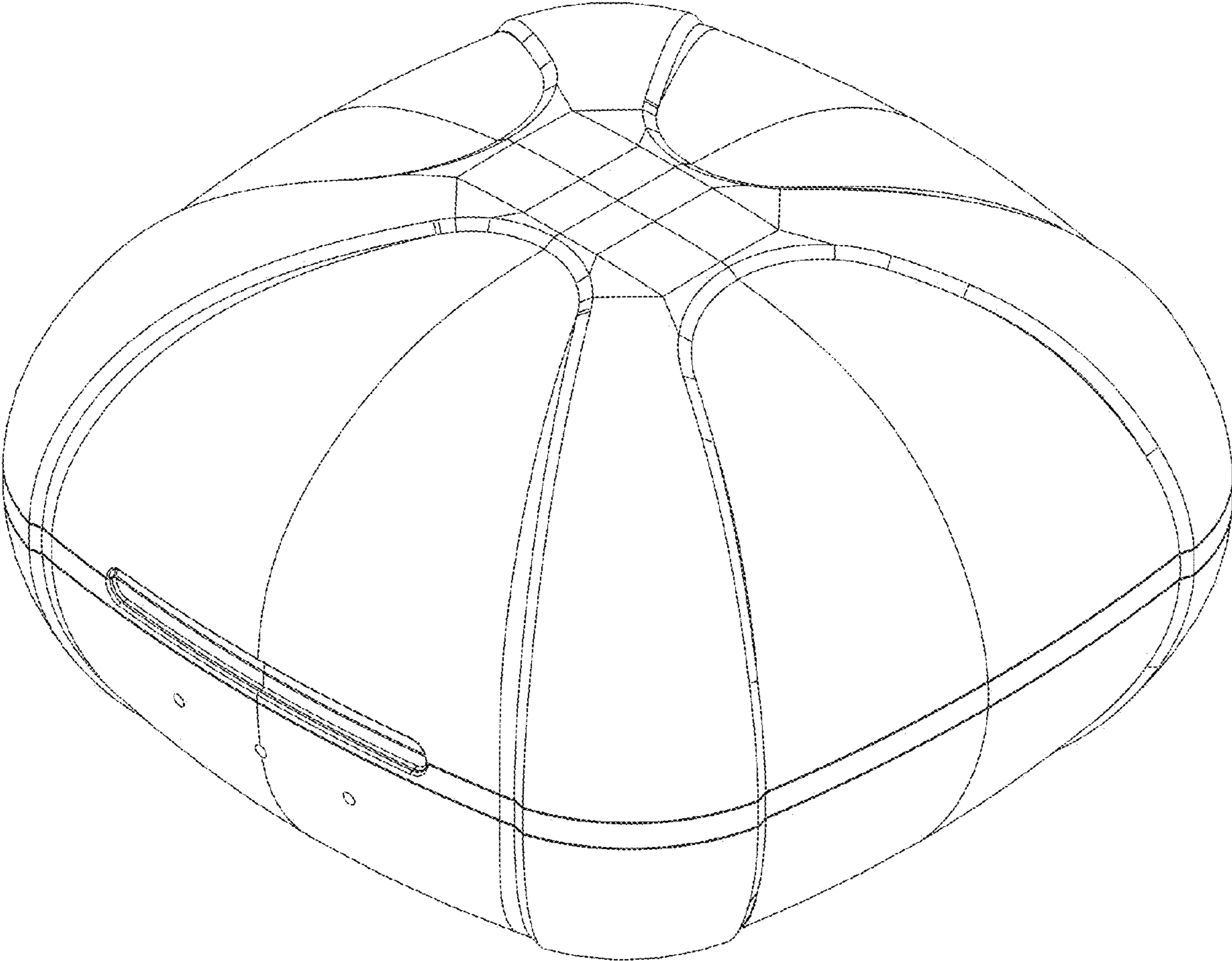


FIG. 18