



US00D925493S

(12) **United States Design Patent**  
**Kirkpatrick**

(10) **Patent No.:** **US D925,493 S**  
(45) **Date of Patent:** **\*\* Jul. 20, 2021**

(54) **INTRA-AURICULAR EARBUD SUPPORT**  
(71) Applicant: **Decibullz LLC**, Fort Collins, CO (US)  
(72) Inventor: **Kyle J Kirkpatrick**, Loveland, CO (US)

3,415,246 A 12/1968 Hill  
3,440,365 A 4/1969 Bryant et al.  
D215,138 S 9/1969 Makey  
3,810,812 A 5/1974 Koenig  
D250,033 S 10/1978 Stein  
(Continued)

(73) Assignee: **DECIBULLZ LLC**, Fort Collins, CO (US)  
(\*\*) Term: **15 Years**

**FOREIGN PATENT DOCUMENTS**

CA 100610 \* 10/2003  
CN 304145346 \* 5/2017  
(Continued)

(21) Appl. No.: **29/714,695**

**OTHER PUBLICATIONS**

(22) Filed: **Nov. 25, 2019**  
(51) **LOC (13) Cl.** ..... **14-01**  
(52) **U.S. Cl.**  
USPC ..... **D14/223**  
(58) **Field of Classification Search**  
USPC ... D14/205, 207, 217, 221, 223, 224, 224.1,  
D14/225, 216; D24/173, 174  
CPC ..... H04R 1/10; H04R 1/1016; H04R 1/1066;  
H04R 1/105; H04R 1/1033; H04R 1/08;  
H04R 5/033; H04R 5/0335; H04R 25/00  
See application file for complete search history.

EarBuddyz 2.0 Ear Hooks and Covers Accessories, announced Dec. 14, 2015 [online], retrieved May 5, 2021, retrieved from internet, <https://www.amazon.com/EarBuddyz-Accessories-Compatible-Headphones-Earphones/dp/B019BREFE4>.  
(Continued)

*Primary Examiner* — Dana K Weiland  
*Assistant Examiner* — Messina L Smith  
(74) *Attorney, Agent, or Firm* — Craig R. Miles; CR Miles P.C.

(56) **References Cited**

(57) **CLAIM**  
I claim the ornamental design for an intra-auricular earbud support, as shown and described.

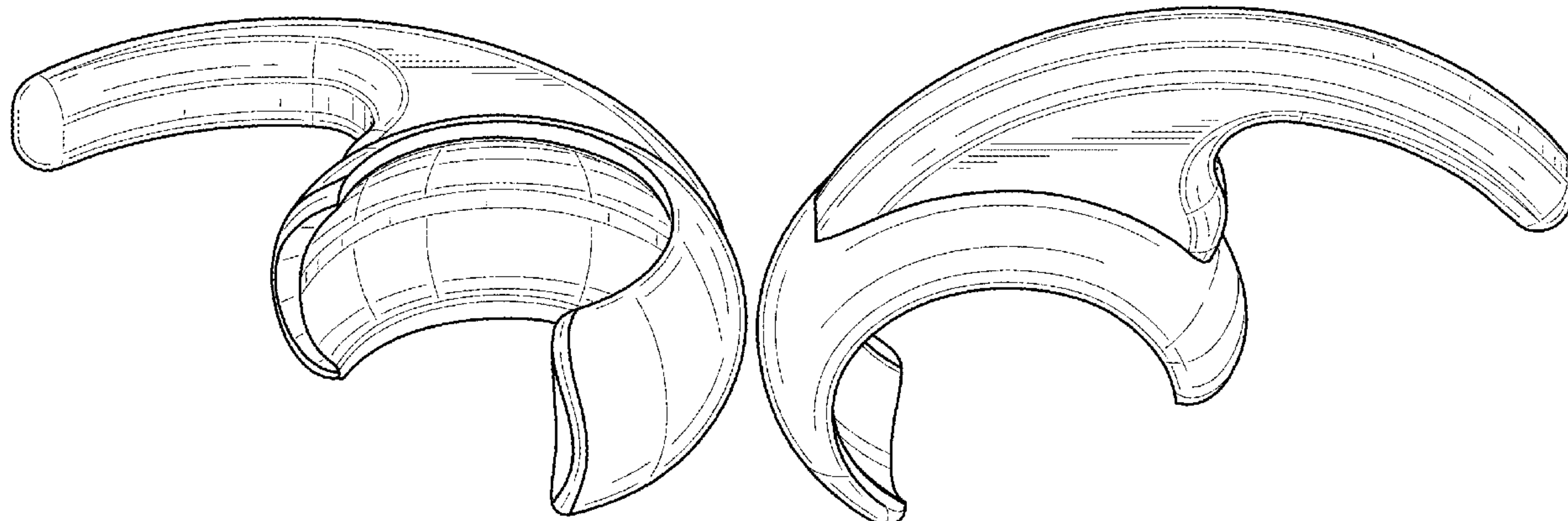
**U.S. PATENT DOCUMENTS**

**DESCRIPTION**

516,135 A 3/1894 Thamm  
904,715 A 11/1908 McWilliams  
1,340,512 A 5/1920 Morton  
2,377,739 A 6/1945 Wyckoff  
2,430,229 A 11/1947 Kelsey  
2,521,414 A 9/1950 Schier  
2,729,376 A 1/1956 Gould et al.  
2,881,759 A 4/1959 Hocks et al.  
D185,740 S 7/1959 Criswell  
3,068,954 A 12/1962 Strzalkowski  
3,112,668 A 12/1963 Moshay  
D206,665 S 1/1967 Sanzone  
D208,784 S 10/1967 Sanzone

FIG. 1 is a top, front perspective view of an intra-auricular earbud support, showing our new design;  
FIG. 2 is a bottom, rear perspective view thereof;  
FIG. 3 is a front elevation view thereof;  
FIG. 4 is a back elevation view thereof;  
FIG. 5 is a right side elevation view thereof;  
FIG. 6 is a left side elevation view thereof;  
FIG. 7 is a top view thereof; and,  
FIG. 8 is a bottom view thereof.

**1 Claim, 4 Drawing Sheets**





(56)

References Cited

U.S. PATENT DOCUMENTS

D266,271 S 9/1982 Johanson et al.  
 D266,590 S 10/1982 Bennett  
 4,412,096 A 10/1983 Edgerton et al.  
 D278,363 S 4/1985 Schenkel et al.  
 4,537,187 A 8/1985 Scott  
 4,579,112 A 4/1986 Scott  
 D290,203 S 6/1987 Berry, Jr.  
 4,702,238 A 10/1987 Scott  
 4,712,245 A 12/1987 Lyregaard  
 4,880,076 A 11/1989 Ahlberg et al.  
 4,965,838 A 10/1990 Kamon et al.  
 5,002,151 A 3/1991 Oliveira et al.  
 5,048,092 A 9/1991 Yamagishi et al.  
 5,185,802 A 2/1993 Stanton  
 5,321,757 A 6/1994 Woodfill, Jr.  
 5,659,156 A 8/1997 Mauney et al.  
 5,676,068 A 10/1997 Kallander  
 5,711,313 A 1/1998 Fleming  
 5,718,244 A 2/1998 Thornton  
 5,753,781 A 5/1998 Oxman et al.  
 5,881,159 A 3/1999 Aceti et al.  
 5,920,636 A 7/1999 Oliveira et al.  
 5,950,794 A 9/1999 Porco et al.  
 6,082,485 A 7/2000 Smith  
 6,122,388 A 9/2000 Feldman  
 6,301,367 B1 10/2001 Boyden et al.  
 6,310,961 B1 10/2001 Oliveira et al.  
 6,354,990 B1 3/2002 Juneau et al.  
 6,434,248 B1 8/2002 Juneau et al.  
 6,445,865 B1 9/2002 Janus et al.  
 6,511,732 B1 1/2003 Chao  
 6,595,317 B1 7/2003 Widmer et al.  
 6,688,421 B2 2/2004 Dyer et al.  
 6,690,807 B1 2/2004 Meyer  
 6,761,789 B2 7/2004 Juneau et al.  
 D505,132 S 5/2005 Linville et al.  
 D527,056 S 8/2006 Manville  
 7,130,437 B2 10/2006 Stonikas et al.  
 D535,642 S 1/2007 Garcia et al.  
 7,217,335 B2 5/2007 Juneau et al.  
 D550,202 S 9/2007 Meier et al.  
 7,403,629 B1 7/2008 Aceti  
 D593,076 S 5/2009 Kung et al.  
 7,627,131 B2 12/2009 Nielsen et al.  
 7,628,366 B2 12/2009 Scott  
 D622,265 S 8/2010 Rye  
 7,778,434 B2 8/2010 Juneau et al.  
 7,889,883 B2 2/2011 Cartwright et al.  
 D635,547 S 4/2011 Komiyama  
 D645,458 S \* 9/2011 Silvestri ..... H04R 1/10  
 D14/223  
 8,027,638 B2 9/2011 Sanguino et al.  
 D647,514 S \* 10/2011 Wikel ..... D14/223  
 D655,693 S \* 3/2012 Silvestri ..... D14/223  
 D656,129 S 3/2012 Kelly et al.  
 8,184,838 B2 5/2012 Solomito et al.  
 8,201,561 B2 6/2012 Blanchard  
 D667,817 S 9/2012 Otani  
 8,280,093 B2 10/2012 Siahhaan et al.  
 D716,770 S \* 11/2014 Bonahoom ..... D14/223  
 D721,354 S 1/2015 Thompson et al.  
 8,931,489 B2 1/2015 Smith  
 D729,764 S 5/2015 Arjomand  
 D735,169 S 7/2015 Shieh  
 9,179,211 B2 11/2015 Kirkpatrick  
 D744,456 S \* 12/2015 Pedersen ..... D14/223  
 D752,026 S 3/2016 Yang  
 D754,638 S 4/2016 Krissman  
 D758,355 S \* 6/2016 Lee ..... D14/223  
 D759,633 S \* 6/2016 Gondo ..... D14/223  
 9,451,353 B2 9/2016 Kirkpatrick  
 D773,440 S \* 12/2016 Pedersen ..... D14/223  
 D773,441 S \* 12/2016 Pedersen ..... D14/223  
 9,628,889 B2 4/2017 Kirkpatrick

D814,443 S \* 4/2018 Sandanger ..... H04R 1/10  
 D14/223  
 D828,826 S \* 9/2018 Schaal ..... D14/223  
 D832,240 S \* 10/2018 Birger ..... D14/223  
 D835,077 S \* 12/2018 Aoyagi ..... D14/223  
 D838,693 S \* 1/2019 Fu ..... D14/223  
 D839,243 S \* 1/2019 Smith ..... D14/223  
 D845,282 S \* 4/2019 Chen ..... D14/223  
 D850,417 S \* 6/2019 Yang ..... D14/223  
 D859,368 S \* 9/2019 Huang ..... D14/223  
 D860,172 S \* 9/2019 Yun ..... D14/223  
 D866,532 S \* 11/2019 Zhang ..... D14/223  
 D869,444 S \* 12/2019 Tang ..... D14/223  
 D870,079 S \* 12/2019 Yun ..... D14/223  
 D871,374 S \* 12/2019 Karayiannis ..... D14/223  
 D871,376 S \* 12/2019 Zhou ..... D14/223  
 D875,071 S \* 2/2020 Wei ..... D14/205  
 D879,748 S \* 3/2020 Lee ..... D14/223  
 D881,163 S \* 4/2020 Duddy ..... D14/223  
 D881,164 S \* 4/2020 Luo ..... D14/223  
 D881,849 S \* 4/2020 Aoyagi ..... D14/223  
 D883,262 S \* 5/2020 Wu ..... D14/223  
 D883,959 S \* 5/2020 Lee ..... D14/223  
 D892,085 S \* 8/2020 Kim ..... D14/223  
 D892,089 S \* 8/2020 Karayiannis ..... D14/223  
 D894,158 S \* 8/2020 Gu ..... D14/223  
 D895,572 S \* 9/2020 Maeda ..... D14/205  
 D895,581 S \* 9/2020 Wu ..... D14/223  
 D897,995 S \* 10/2020 Duddy ..... D14/223  
 D902,890 S \* 11/2020 Williamson ..... D14/223  
 D914,650 S \* 3/2021 Hu ..... D14/223  
 2001/0043708 A1 11/2001 Brimhall  
 2002/0032362 A1 3/2002 Juneau et al.  
 2003/0048916 A1 3/2003 Chen  
 2003/0099370 A1 5/2003 Moore  
 2005/0147269 A1 7/2005 Oliveira et al.  
 2006/0098833 A1 5/2006 Juneau et al.  
 2006/0177082 A1 8/2006 Solomito et al.  
 2008/0187161 A1 8/2008 Tiemens et al.  
 2008/0298626 A1 \* 12/2008 Dean ..... H04R 1/105  
 381/381  
 2009/0041287 A1 2/2009 Quinlisk  
 2009/0190786 A1 7/2009 Miskiel et al.  
 2009/0232342 A1 9/2009 Oliveira et al.  
 2009/0252362 A1 10/2009 Ooi et al.  
 2010/0027824 A1 2/2010 Atamaniuk et al.  
 2011/0255729 A1 \* 10/2011 Tan ..... H04R 1/105  
 381/380  
 2012/0057739 A1 3/2012 Smith et al.  
 2012/0189146 A1 7/2012 Wuidart  
 2014/0119589 A1 \* 5/2014 Wyzisk ..... H04R 1/105  
 381/380  
 2016/0014493 A1 \* 1/2016 Chen ..... H04R 1/1016  
 381/338  
 2016/0073193 A1 3/2016 Kirkpatrick  
 2019/0261079 A1 \* 8/2019 Okawa ..... H04R 1/1016  
 2020/0059715 A1 \* 2/2020 Hsiao ..... H04R 1/1016

FOREIGN PATENT DOCUMENTS

CN 304301289 \* 9/2017  
 EP 0895703 2/1999  
 EP 1032243 8/2000  
 EP 2107827 10/2009  
 GB 2470177 11/2010  
 IN 298802-0001 \* 10/2017  
 JP 2020053853 A \* 4/2020  
 WO WO 1992/003894 3/1992  
 WO WO 1999/031935 6/1999  
 WO WO 00/42817 7/2000  
 WO WO 2012/024656 2/2012

OTHER PUBLICATIONS

Far End Gear BudLoks Earphone Sport Grips, announced Dec. 9, 2015 [online], retrieved May 5, 2021, retrieved from internet, [https://www.amazon.com/Far-End-Gear-BudLoks-Earphone/dp/B0195OPLKK/ref=asc\\_df\\_B0195OPLKK/?tag=hyprod-20&linkCode=](https://www.amazon.com/Far-End-Gear-BudLoks-Earphone/dp/B0195OPLKK/ref=asc_df_B0195OPLKK/?tag=hyprod-20&linkCode=)



(56)

**References Cited**

## OTHER PUBLICATIONS

df0&hvadid=309820150211&hvpos=&hvnetw=g&hvrnd=17068762569299593528&hvpon=&hvptwo=&hvqmt=&hvdev=c&hvdvcmdl=&hvlocint=&hvlocphy=9008139&hvtargid=pla-592922917164&pssc=1.\*

10 Soft Earbud Earhooks Earphone Sport Grip, announced Aug. 12, 2020 [online], retrieved May 5, 2021, retrieved from internet, [https://www.ebay.com/itm/143674302604?chn=ps&var=442659137224&norover=1&mkevt=1&mkrid=711-117182-37290-0&mkcid=2&itemid=442659137224\\_143674302604&targetid=1071886554221&device=c&mktype=plagoogleloc=9008139&poi=&campaignid=11614529174&mkgroupid=113528757256&rlsarget=pla-1071886554221&abcd=9300457&merchantid=6296724&gclid=CjwKCAjwhMmEBhBwEiwAXwFoEQ0HkT0gmClayDxrkHEir8A5gq2FVV5XyvYgu515tUKKOcVgjNPGRxoCK-cQAvD\\_BwE.\\*](https://www.ebay.com/itm/143674302604?chn=ps&var=442659137224&norover=1&mkevt=1&mkrid=711-117182-37290-0&mkcid=2&itemid=442659137224_143674302604&targetid=1071886554221&device=c&mktype=plagoogleloc=9008139&poi=&campaignid=11614529174&mkgroupid=113528757256&rlsarget=pla-1071886554221&abcd=9300457&merchantid=6296724&gclid=CjwKCAjwhMmEBhBwEiwAXwFoEQ0HkT0gmClayDxrkHEir8A5gq2FVV5XyvYgu515tUKKOcVgjNPGRxoCK-cQAvD_BwE.*)

Earbuds Eargel Earhooks, announced Dec. 26, 2016 [online], retrieved May 5, 2021, retrieved from internet, [https://www.amazon.com/Earbuds-Earhooks-Replacement-Ear-Tips-Earhook/dp/B071YZ4F3Y/ref=asc\\_df\\_B071YZ4F3Y/?tag=hyprod-20&linkCode=df0&hvadid=242108112383&hvpos=&hvnetw=g&hvrnd=163973044977344182&hvpon=&hvptwo=&hvqmt=&hvdev=c&hvdvcmdl=&hvlocint=&hvlocphy=9008139&hvtargid=pla-569399210150&pssc=1.\\*](https://www.amazon.com/Earbuds-Earhooks-Replacement-Ear-Tips-Earhook/dp/B071YZ4F3Y/ref=asc_df_B071YZ4F3Y/?tag=hyprod-20&linkCode=df0&hvadid=242108112383&hvpos=&hvnetw=g&hvrnd=163973044977344182&hvpon=&hvptwo=&hvqmt=&hvdev=c&hvdvcmdl=&hvlocint=&hvlocphy=9008139&hvtargid=pla-569399210150&pssc=1.*)

3 Pairs S/M/L Silicone Earbuds Cover, announced Jan. 31, 2020 [online], retrieved May 5, 2021, retrieved from internet, [https://www.aliexpress.com/i/4000193405726.html.\\*](https://www.aliexpress.com/i/4000193405726.html.*)

ALXCD Silicone Earhooks for Sony, no announcement date [online], retrieved May 5, 2021, retrieved from internet, [https://www.pricepulse.app/alxcd-silicone-earhooks-for-sony-mdr-xb510as-mdr-x\\_us\\_2278606.\\*](https://www.pricepulse.app/alxcd-silicone-earhooks-for-sony-mdr-xb510as-mdr-x_us_2278606.*)

U.S. Appl. No. 61/596,567, filed Feb. 8, 2012.

PCT International Patent Application No. PCT/US2013/025288; ISR dated Jun. 2, 2013, 11 total pages.

Design U.S. Appl. No. 29/536,192, filed Aug. 14, 2015.

Angell. PodFitKit for Apple earbuds announced. iLounge, website, <http://www.ilounge.com>, originally downloaded Dec. 31, 2012, 4 total pages.

E-Bay. New SUGRU Black 3 pack Moldable Self Setting Rubber Customize Your Earbuds. Website, <http://www.ebay.com>, originally downloaded Dec. 31, 2012, 4 total pages.

Fuze Custom Earphones. On-line Catalog, <http://www.earfuze.com>, originally downloaded Dec. 31, 2012, 1 page.

How-To Geek. How to Make Custom Silicone Ear Molds for Your In-Ear Monitors. Website, <http://www.howtogeek.com>, originally downloaded Dec. 31, 2012, 20 total pages.

Lloyds. Custom Ear Mold—Standard. On-line Catalog, <http://lloydhearingaid.com>, originally downloaded Dec. 31, 2012, 1 page.

mylobie.com. Lobies—comfortable earbuds adapters for iPod, iPhone, and portable audio. Website, <http://www.mylobie.com>, originally downloaded Dec. 31, 2012, 1 page.

Zapconnect. Hearing Aid Moldable Impression Silicone Putty. Website, <http://www.zapconnect.com>, originally downloaded Dec. 31, 2012, 1 page.

Zenplugs Moulded Earplug Shop. Zenpods Blue Molded Earphone Adaptors . . . On-line Catalog, <http://shop.zenplugs.com>, originally downloaded Dec. 24, 2013, 1 page.

FLUGZ. Advanced Hearing Protection. Website, <https://www.flugz.com>, originally downloaded Aug. 17, 2015, 15 pages total.

FLUGZ. Form and Fit. Website, <https://www.flugz.com>, originally downloaded Aug. 17, 2015, 3 pages total.

FLUGZ. Why FLUGZ. Website, <https://www.flugz.com>, originally downloaded Aug. 17, 2015, 3 pages total.

FLUGZ. Advanced Hearing Protection. Website, <https://www.flugz.com>, originally downloaded Aug. 17, 2015, 2 pages total.

European Patent Application No. 13746012.7; European Search Report, dated Jan. 27, 2016, 6 pages total.

Chinese Patent Application No. 201380013425.X; Office Action and Search Report dated Oct. 8, 2016, 8 pages total.

European Patent Application No. 13746012.7; Office Action dated Nov. 18, 2016, 5 pages total.

What Hi-Fi? Dog & Bone earphones include a heating dock to provide a better fit for your earbuds. Website, <http://www.whathifi.com>, originally downloaded Feb. 10, 2017, total 5 pages.

Sunshine Coast Daily. Earmade: the little QLD idea on world stage. Website, <https://www.sunshinecoastdaily.com.au>, total 6 pages.

U.S. Appl. No. 15/684,012; Office Action dated Feb. 6, 2019.

U.S. Appl. No. 15/684,012; Office Action dated Jun. 12, 2019.

PCT International Patent Application No. PCT/US18/36724; International Search Report and Written Opinion of the International Searching Authority dated Aug. 30, 2018, 14 pages.

\* cited by examiner

FIG. 1

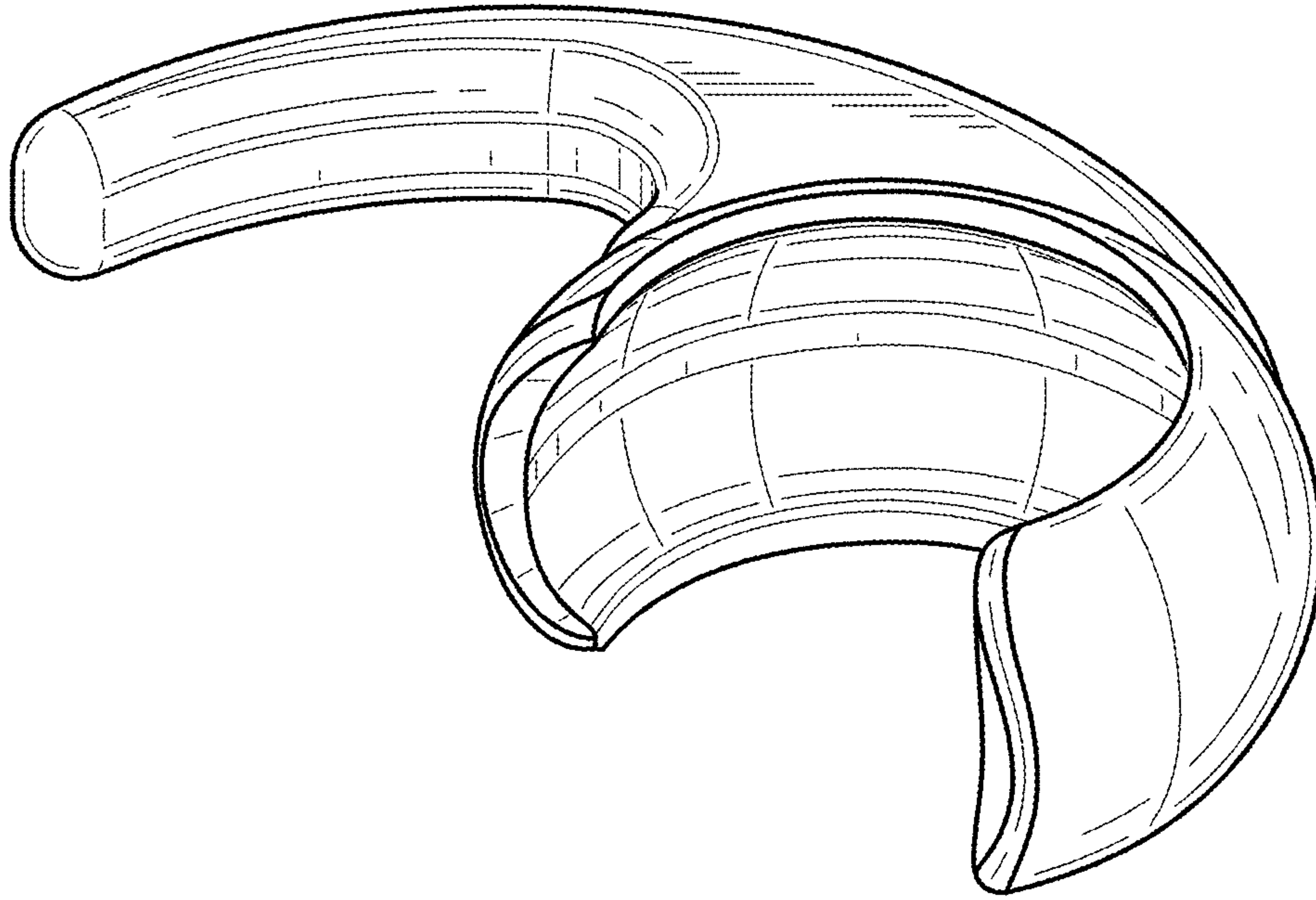


FIG. 2

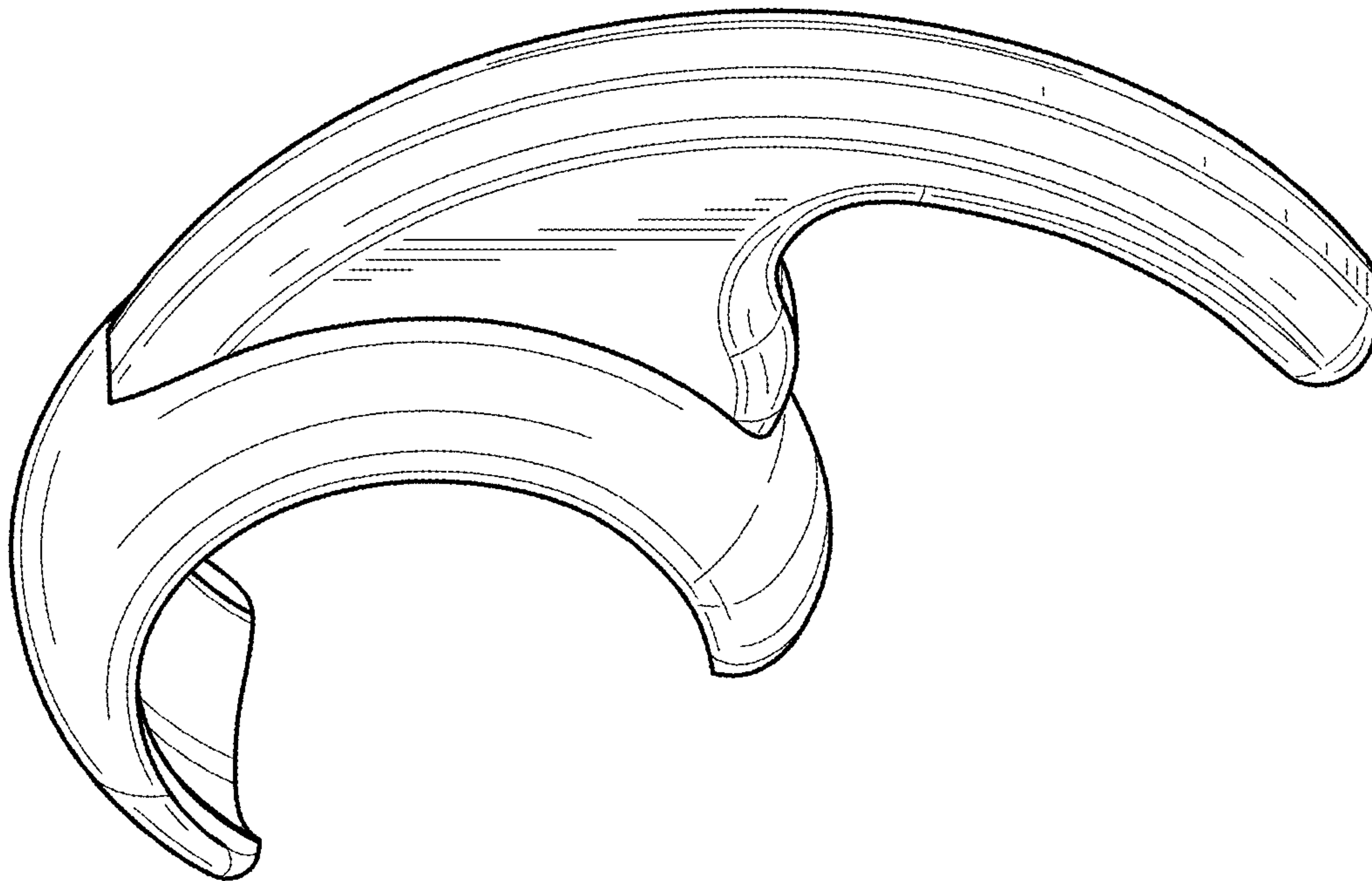


FIG. 3

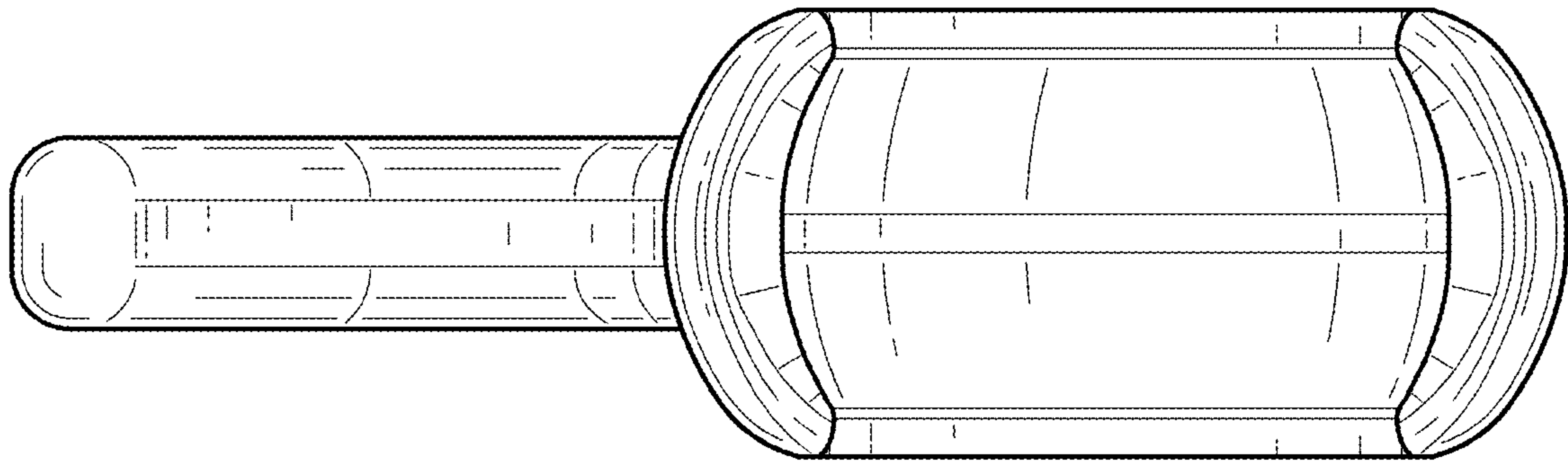


FIG. 4

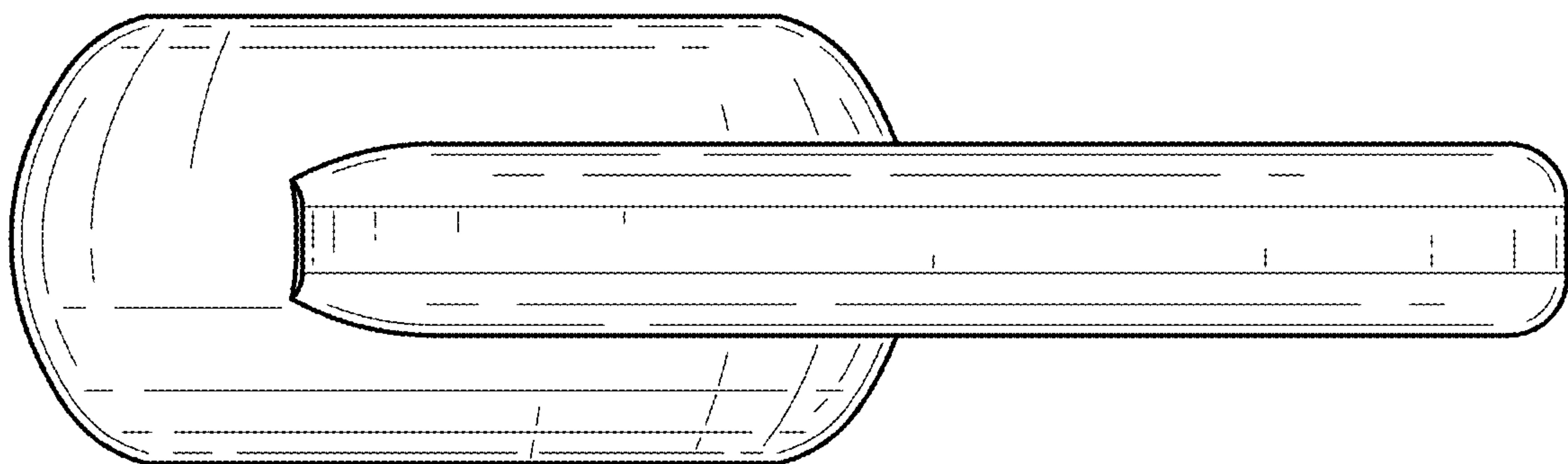


FIG. 5

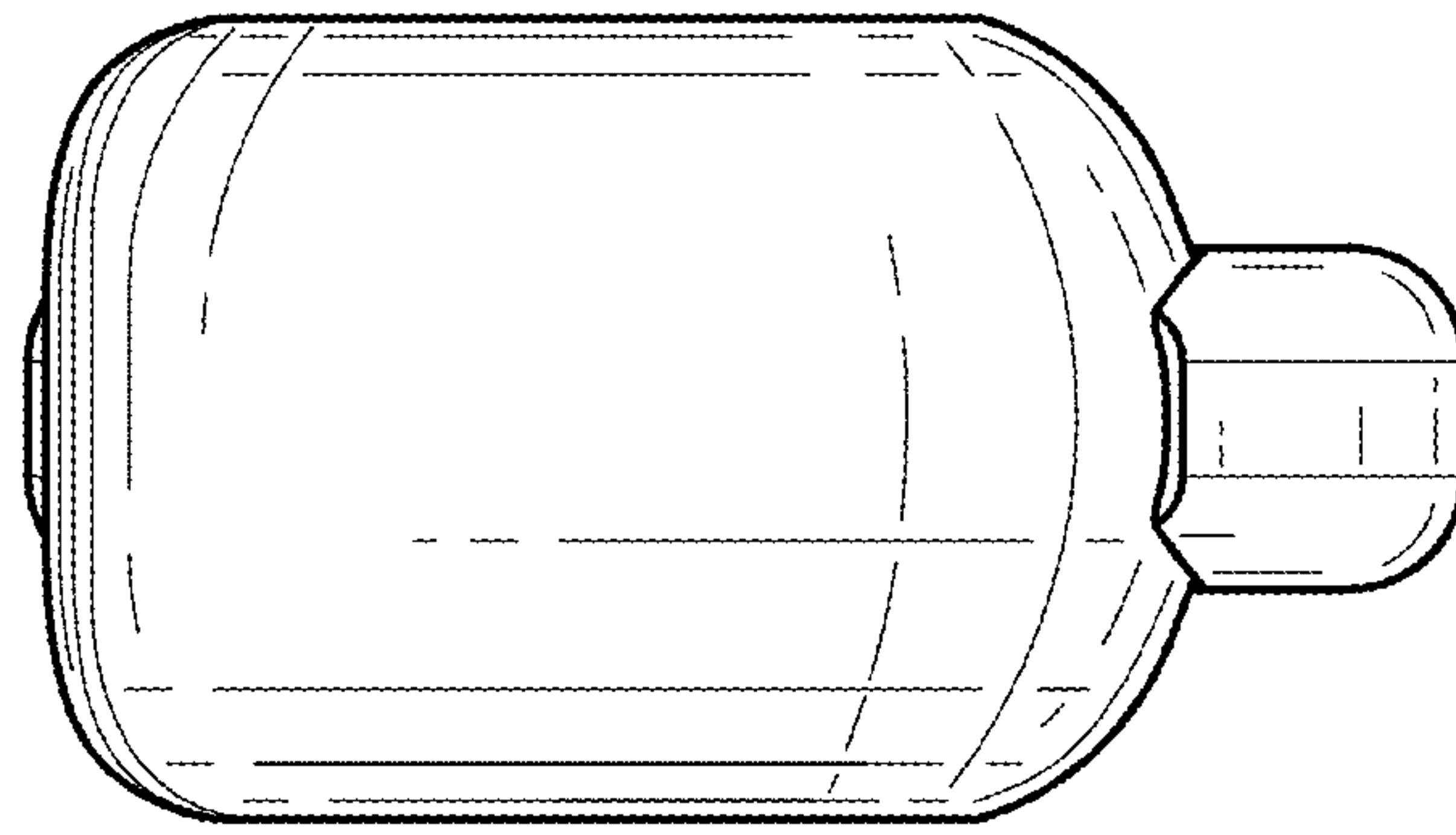


FIG. 6

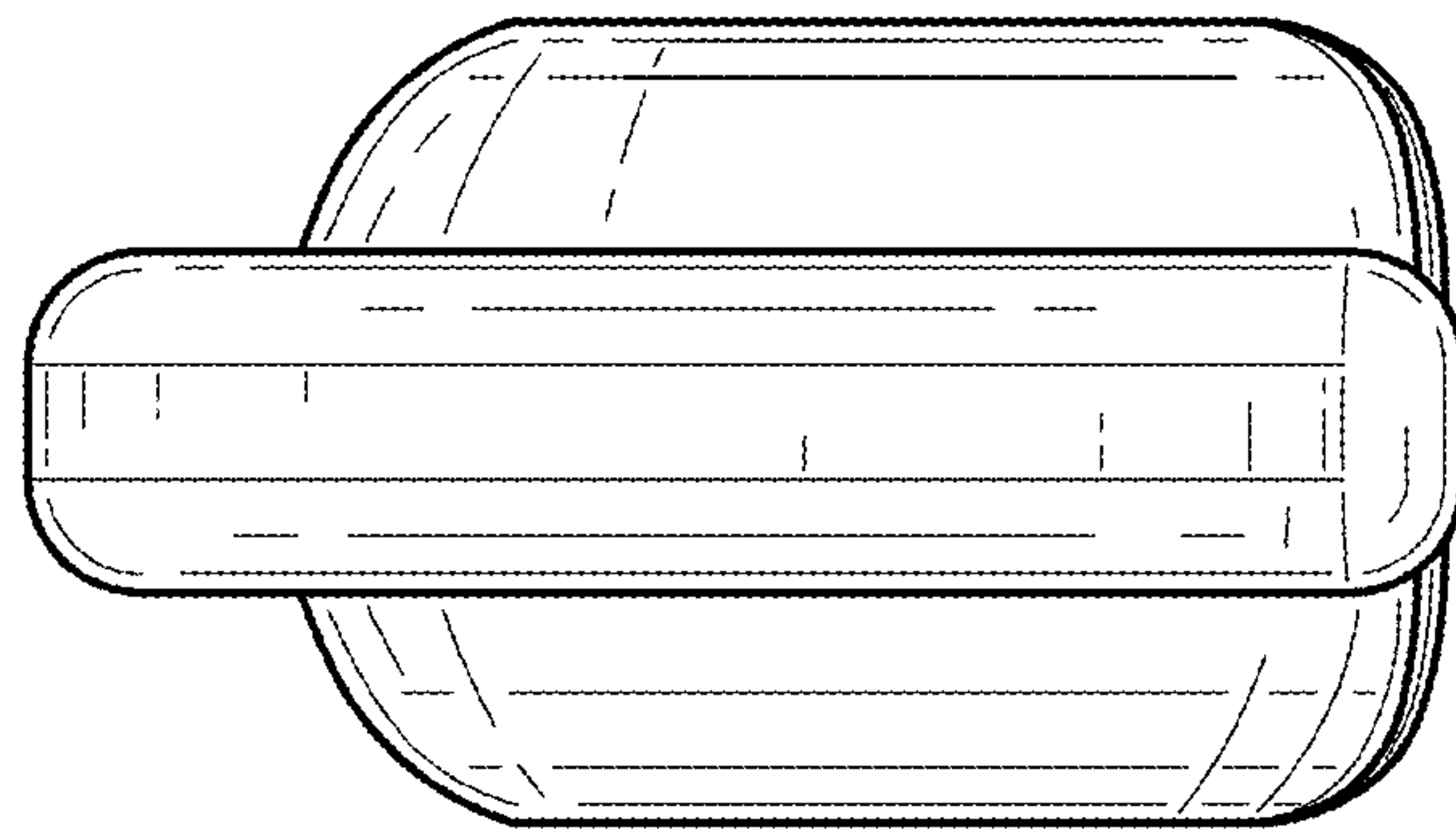




FIG. 7

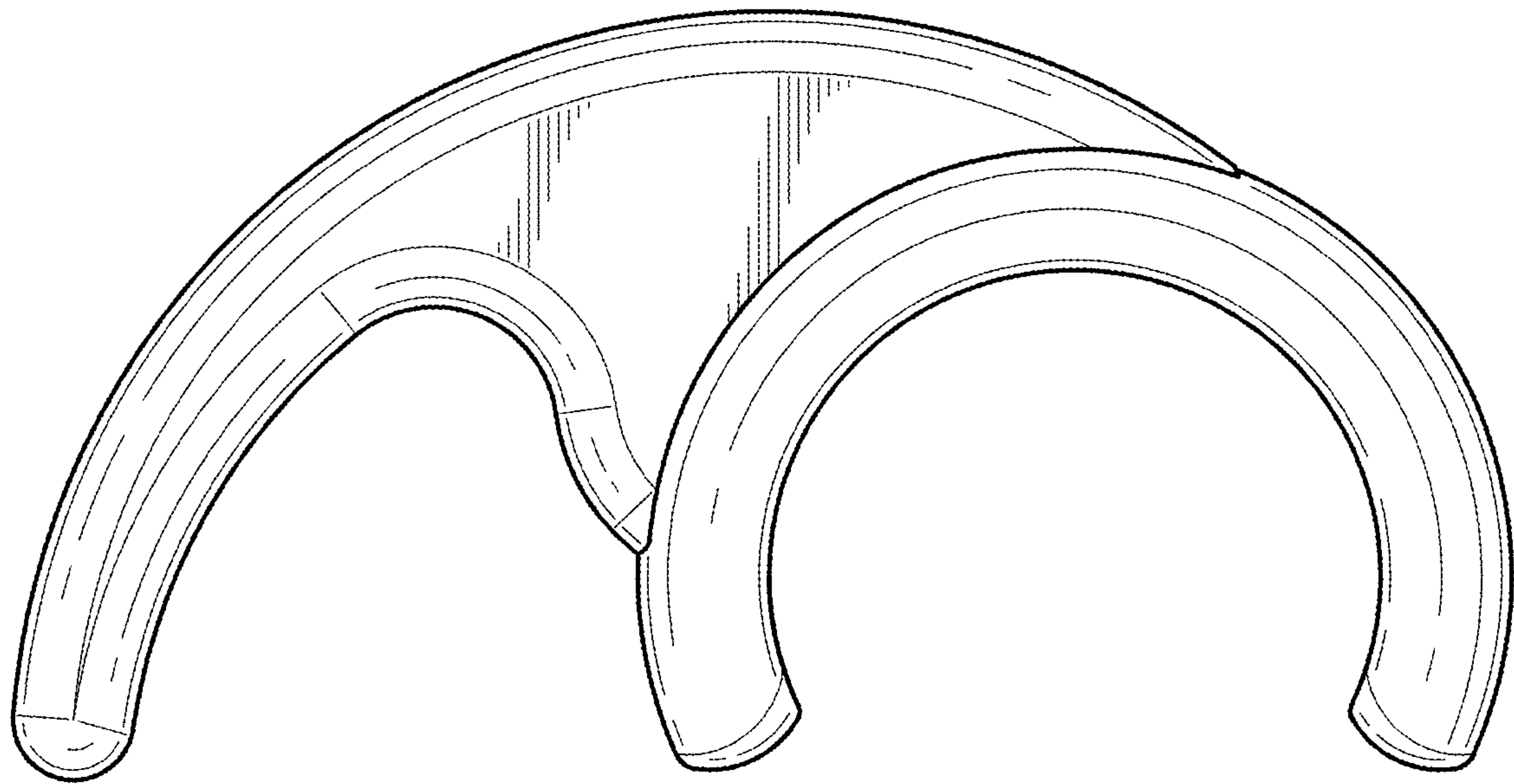


FIG. 8

