



US00D925492S

(12) **United States Design Patent** (10) **Patent No.:** **US D925,492 S**  
**Sugiura et al.** (45) **Date of Patent:** **\*\* Jul. 20, 2021**

(54) **EARPHONE**

(71) Applicant: **YAMAHA CORPORATION**,  
Hamamatsu (JP)

(72) Inventors: **Yoshihisa Sugiura**, Buena Park, CA  
(US); **Shino Sakamoto**, Hamamatsu  
(JP)

(73) Assignee: **YAMAHA CORPORATION**,  
Hamamatsu (JP)

(\*\*) Term: **15 Years**

(21) Appl. No.: **29/707,337**

(22) Filed: **Sep. 27, 2019**

(51) **LOC (13) Cl.** ..... **14-01**

(52) **U.S. Cl.**  
USPC ..... **D14/223**

(58) **Field of Classification Search**  
USPC ... D14/205, 207, 217, 221, 223, 224, 224.1,  
D14/225; D24/173, 174  
CPC ..... H04R 1/10; H04R 1/1016; H04R 1/1066;  
H04R 1/105; H04R 1/1033; H04R 1/08;  
H04R 5/033; H04R 5/0335; H04R 25/00  
See application file for complete search history.

(56) **References Cited**

**U.S. PATENT DOCUMENTS**

D788,079 S \* 5/2017 Son ..... D14/223  
D841,626 S \* 2/2019 Tang ..... D14/223  
D863,261 S \* 10/2019 Zhu ..... D14/223  
D864,919 S \* 10/2019 Bonahoom ..... D14/223  
D871,376 S \* 12/2019 Zhou ..... D14/223  
D872,064 S \* 1/2020 Cai ..... D14/223  
D873,805 S \* 1/2020 Yang ..... D14/223  
D875,719 S \* 2/2020 Wen ..... D14/223  
D883,262 S \* 5/2020 Wu ..... D14/223  
D883,958 S \* 5/2020 Liu ..... D14/223  
D892,085 S \* 8/2020 Kim ..... D14/223  
D892,088 S \* 8/2020 Briggs ..... D14/223

D894,158 S \* 8/2020 Gu ..... D14/223  
D897,321 S \* 9/2020 Wei ..... D14/223  
D902,182 S \* 11/2020 Wang ..... D14/223  
D904,349 S \* 12/2020 Saxton ..... D14/223  
D909,998 S \* 2/2021 Du ..... D14/223

(Continued)

**FOREIGN PATENT DOCUMENTS**

CN 306297372 \* 1/2021  
CN 306308565 \* 2/2021

(Continued)

**OTHER PUBLICATIONS**

TW-E3ATRUE Wireless Earbuds, no announcement date [online],  
retrieved Feb. 24, 2021, retrieved from internet, [https://usa.yamaha.com/products/audio\\_visual/headphones/tw-e3a/index.html](https://usa.yamaha.com/products/audio_visual/headphones/tw-e3a/index.html).\*

(Continued)

*Primary Examiner* — Dana K Weiland  
*Assistant Examiner* — Messina L Smith

(74) *Attorney, Agent, or Firm* — Sughrue Mion, PLLC

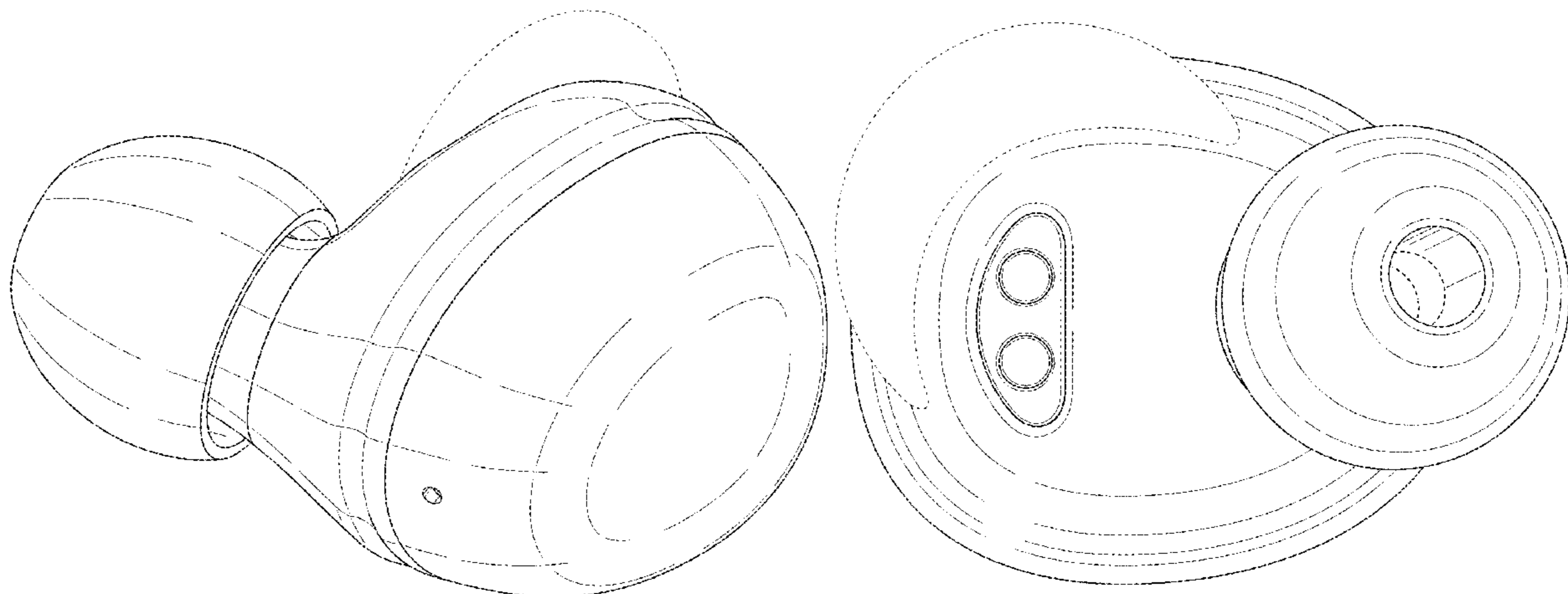
(57) **CLAIM**

The ornamental design for an earphone, as shown and described.

**DESCRIPTION**

FIG. 1 is a perspective view of the front, top and left side of an earphone showing our new design;  
FIG. 2 is a front view thereof;  
FIG. 3 is a rear view thereof;  
FIG. 4 is a left side view thereof;  
FIG. 5 is a right side view thereof;  
FIG. 6 is a top view thereof; and,  
FIG. 7 is a bottom view thereof.  
The broken line showing of the earphone is included for the purpose of illustrating portions of the earphone and forms no part of the claimed design.

**1 Claim, 7 Drawing Sheets**



(56)

**References Cited**

U.S. PATENT DOCUMENTS

D910,602	S	*	2/2021	Feng	.....	D14/223
2018/0026778	A1	*	1/2018	Jo	.....	H04L 7/0041 348/80
2018/0103321	A1	*	4/2018	Seo	.....	H04R 1/1041
2018/0132031	A1	*	5/2018	Seo	.....	H04R 1/1041
2019/0014403	A1	*	1/2019	Lee	.....	H04R 1/1016
2020/0219525	A1	*	7/2020	Moon	.....	G10L 21/038
2020/0413456	A1	*	12/2020	Chen	.....	H04R 1/1041
2021/0051387	A1	*	2/2021	Briggs	.....	H04R 1/1016

FOREIGN PATENT DOCUMENTS

CN	306328509	*	2/2021
CN	306336176	*	2/2021
JP	D1657860	*	4/2020
JP	D1658601	*	4/2020

OTHER PUBLICATIONS

Yamaha Audio TW-E3A True Wireless Earbuds, announced Aug. 19, 2020 retrieved Feb. 24, 2021, retrieved from internet, <https://www.amazon.com/Yamaha-Audio-Wireless-Earbuds-TW-E3ABU/dp/B08FKVYXPK>.\*

Yamaha TW-E3A—Fully wireless headphones with aptX support, announced Dec. 16, 2020 [online], retrieved Feb. 24, 2021, retrieved from internet, <https://www.techweekmag.com/news/headphones/yamaha-tw-e3a/>.\*

UA True Wireless Streak Headphones, no announcement date [online], retrieved Feb. 24, 2021, retrieved from internet, [https://www.underarmour.com/en-us/p/ua-true-wireless-streak-headphones/1364119.html?dwvar\\_1364119\\_color=403&dwvar\\_1364119\\_size=OSFA&country=US&currency=USD&scid=scplp1364119-403-OSFA&sc\\_intid=1364119-403-OSFA&cid=PLA\\_SC\\_US\\_144\\_YOAAVL53VT&gclid=Cj0KCQiAj9iBBhCJARIsAE9qRtDd3b8uvMHvOgvxhTLIxXnnXGi6vY2Yh2qS\\_IPGT0T7uk874fTB8Y0aAsKmEALw\\_wcB](https://www.underarmour.com/en-us/p/ua-true-wireless-streak-headphones/1364119.html?dwvar_1364119_color=403&dwvar_1364119_size=OSFA&country=US&currency=USD&scid=scplp1364119-403-OSFA&sc_intid=1364119-403-OSFA&cid=PLA_SC_US_144_YOAAVL53VT&gclid=Cj0KCQiAj9iBBhCJARIsAE9qRtDd3b8uvMHvOgvxhTLIxXnnXGi6vY2Yh2qS_IPGT0T7uk874fTB8Y0aAsKmEALw_wcB).\*

Monster Achieve 100 AirLinks Wireless Earbuds, announced Aug. 27, 2020 [online], retrieved Feb. 26, 2021, retrieved from internet, <https://www.amazon.com/Monster-AirLinks-Wireless-Bluetooth-Headphones/dp/B08H8D12VT>.\*

Jabra Elite 75t review: ANC makes awesome earbuds better, announced Oct. 21, 2020 [online], retrieved Feb. 26, 2021, retrieved from internet, <https://www.digitaltrends.com/headphone-reviews/jabra-elite-75t-review/>.\*

An Office Action dated Mar. 2, 2021, which issued during the prosecution of U.S. Appl. No. 29/707,402.

\* cited by examiner

FIG. 1

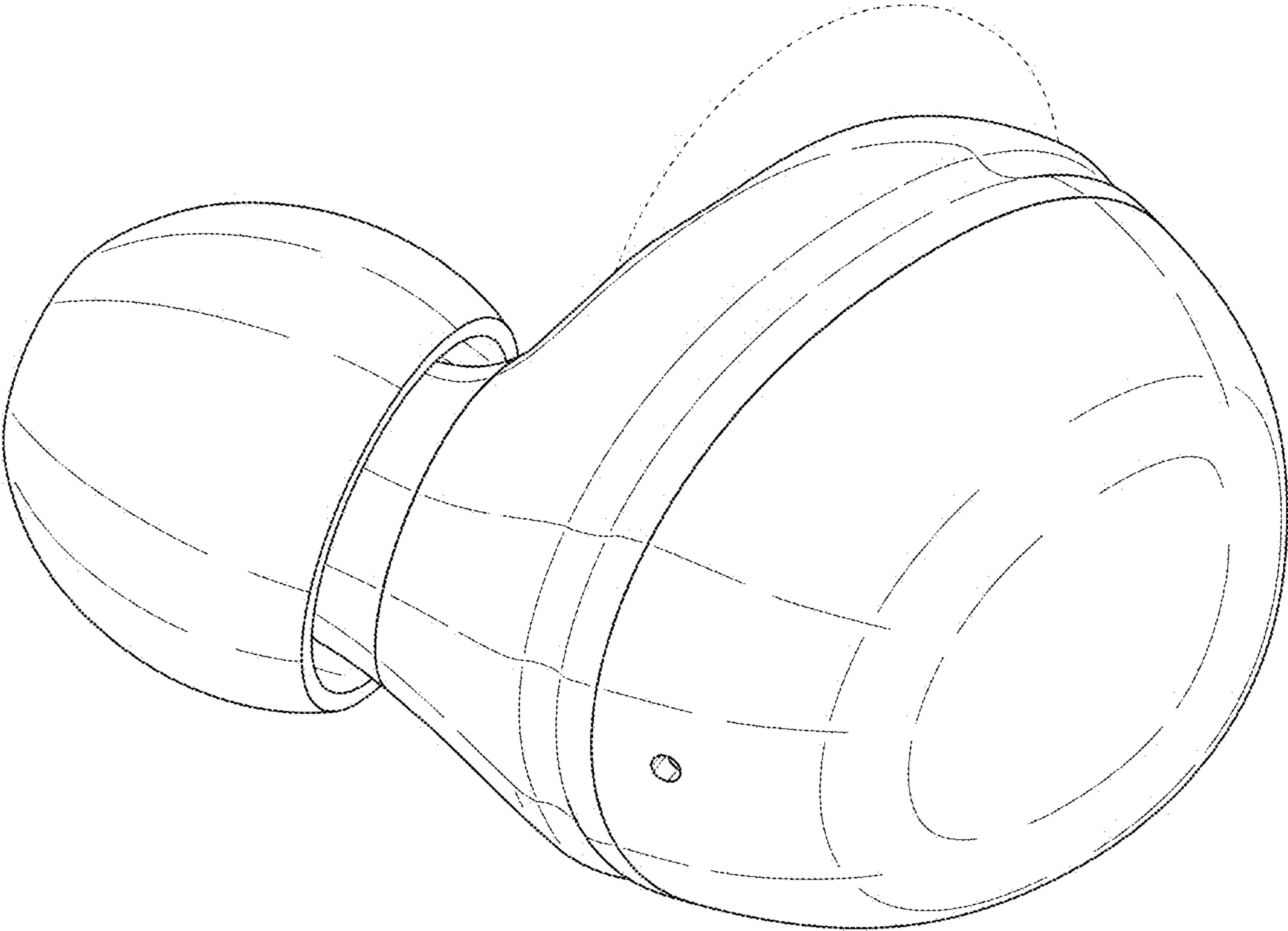


FIG. 2

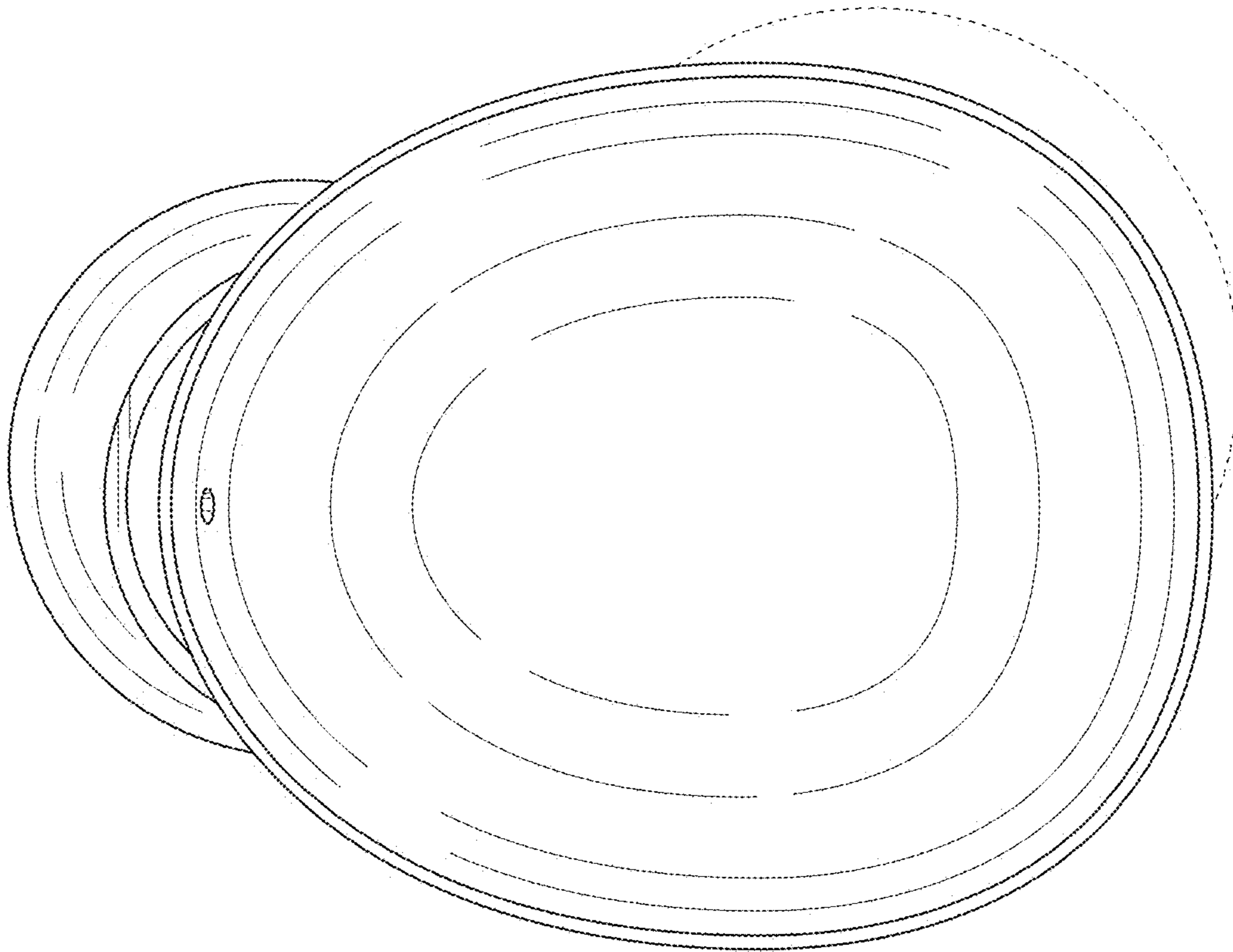


FIG. 3

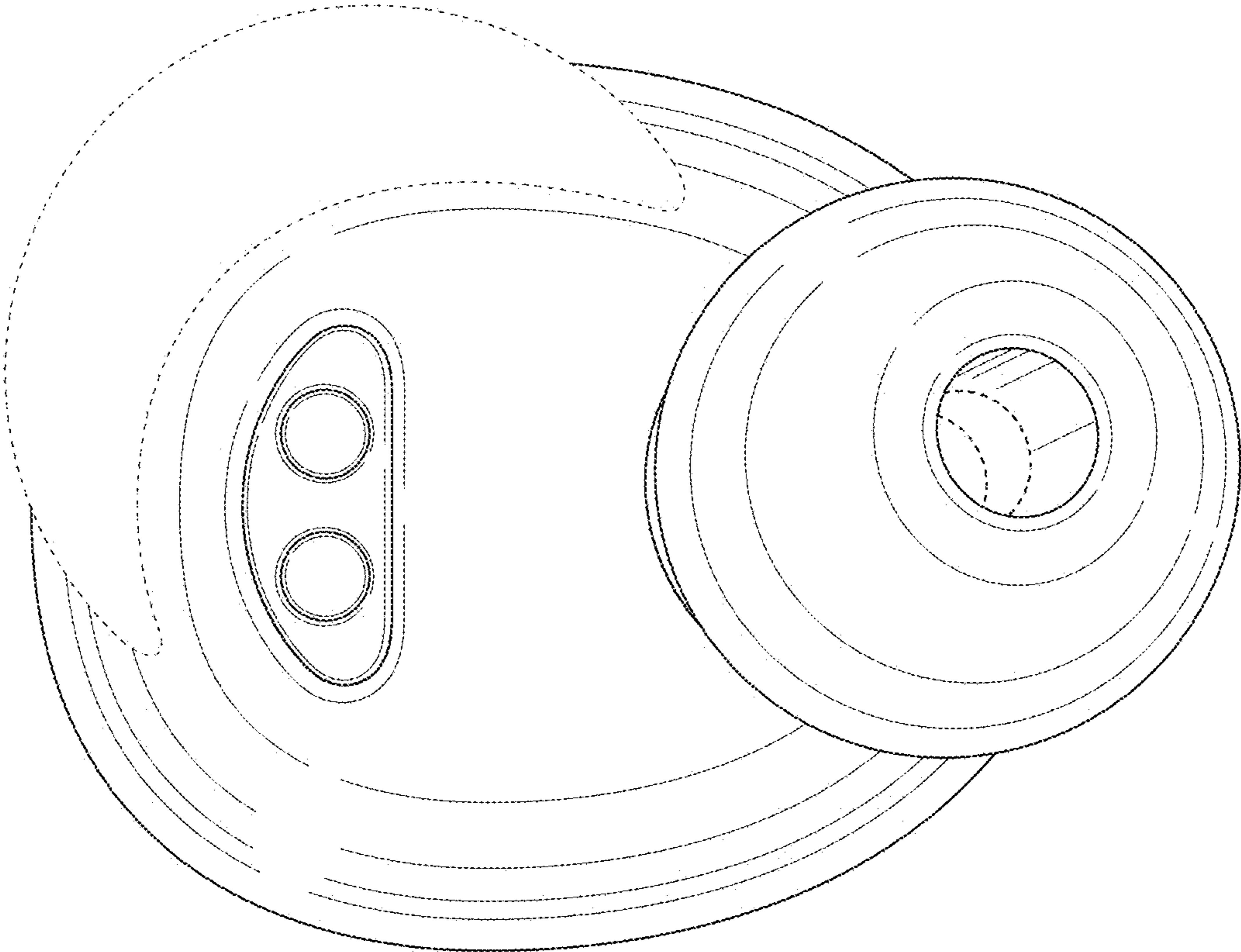


FIG. 4

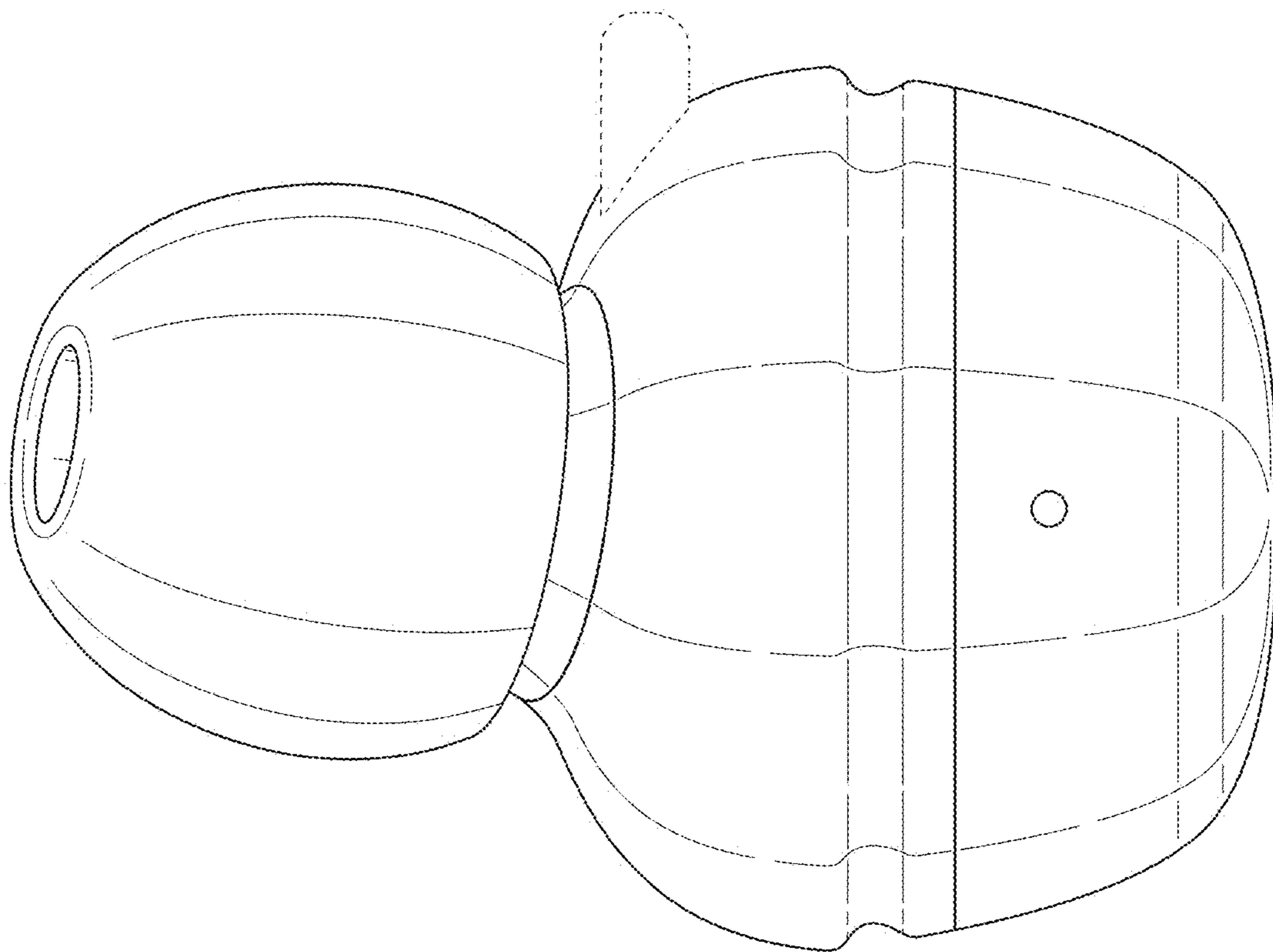


FIG. 5

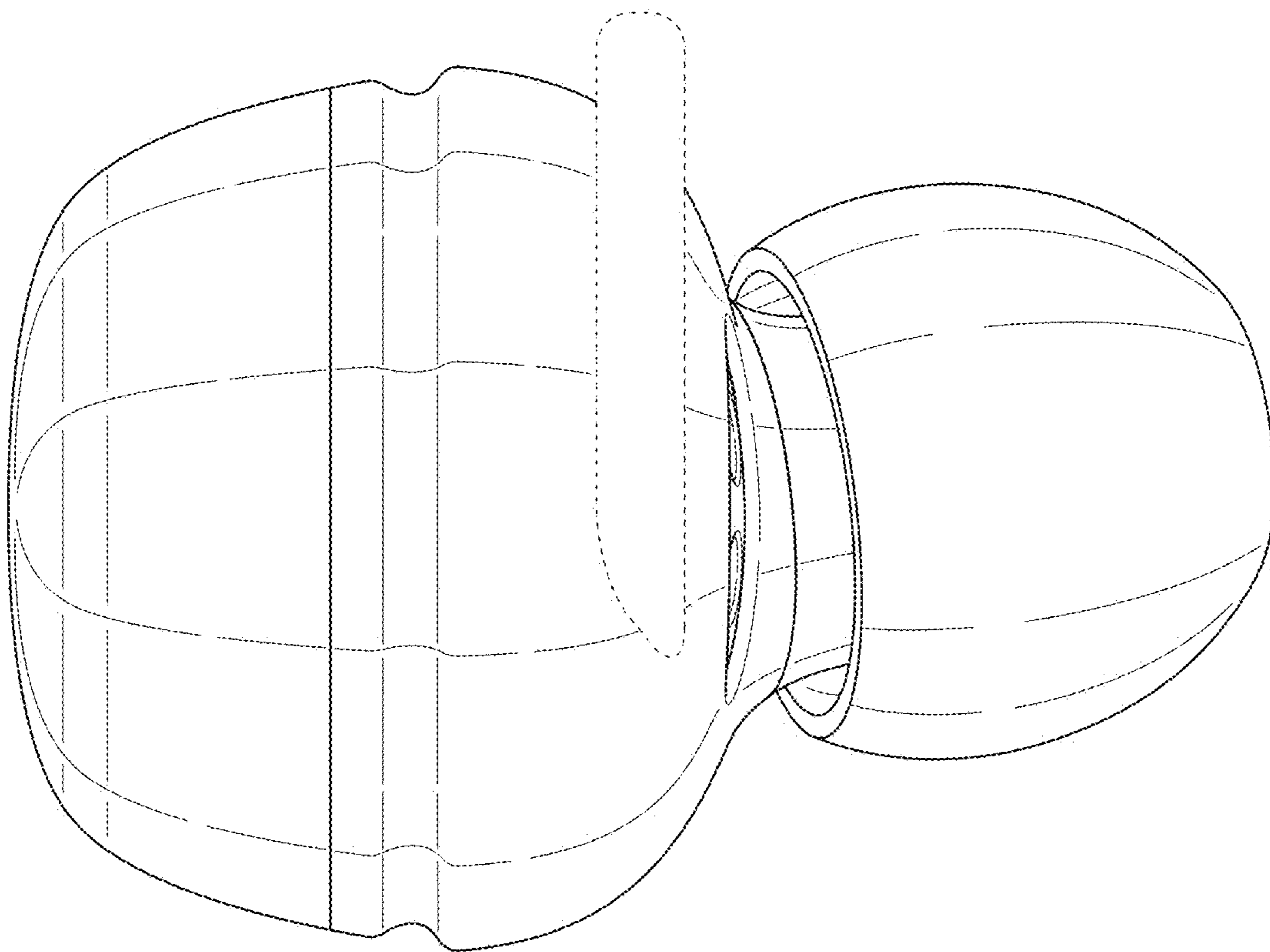


FIG. 6

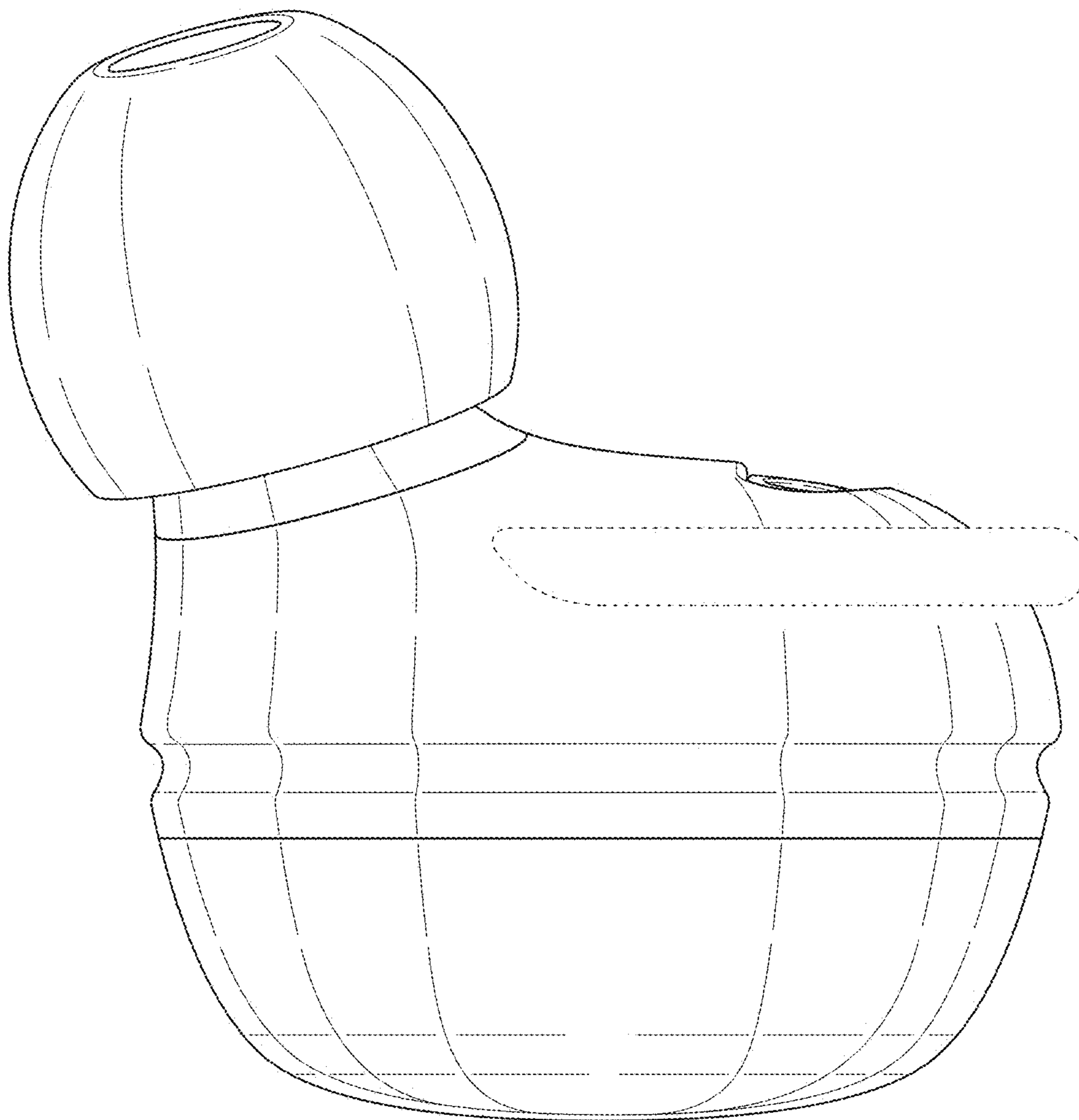




FIG. 7

